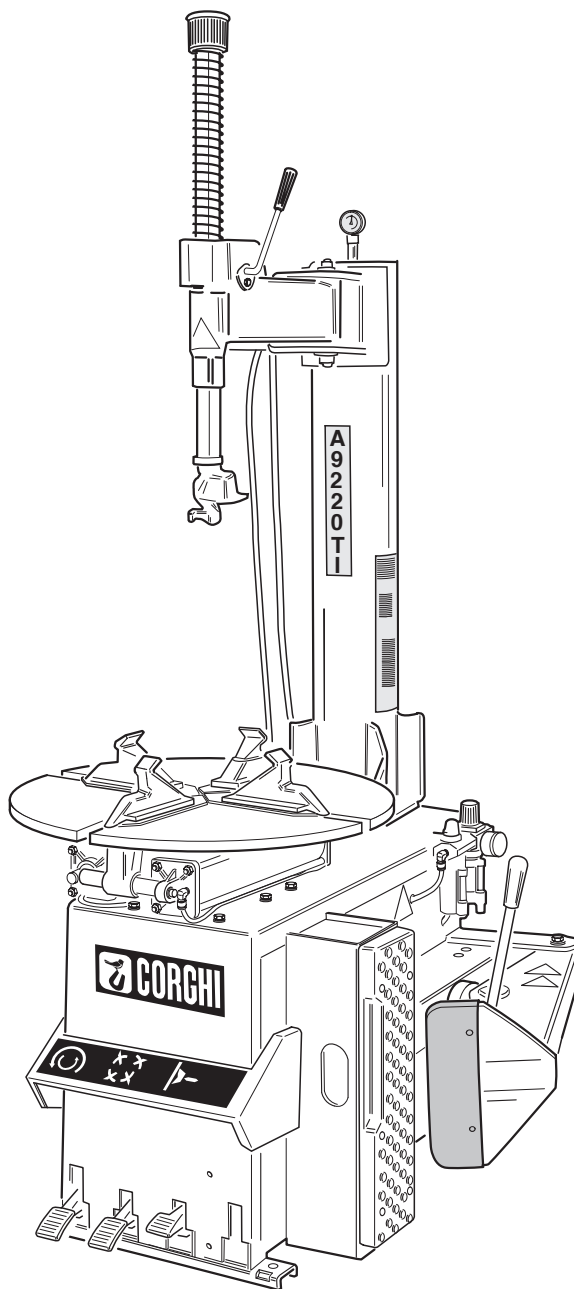


Questo libretto non autorizza l'utente ad intervenire sulle macchine ad esclusione di quanto esplicitamente descritto nel Manuale d'uso, ma consente all'utente di fornire informazioni precise all'Assistenza tecnica, al fine di ridurre i tempi di intervento.

A9220 TI

The "Spare parts" booklet does not authorize the user to carry out work on the machine unless expressly specified in the instruction manual, but does enable him to provide accurate information to the assistance service in order to reduce downtime.

PEZZI DI RICAMBIO SPARE PARTS LIST ERSATZTEILLISTE PIECES DE RECHANGE



Code

4-100548A

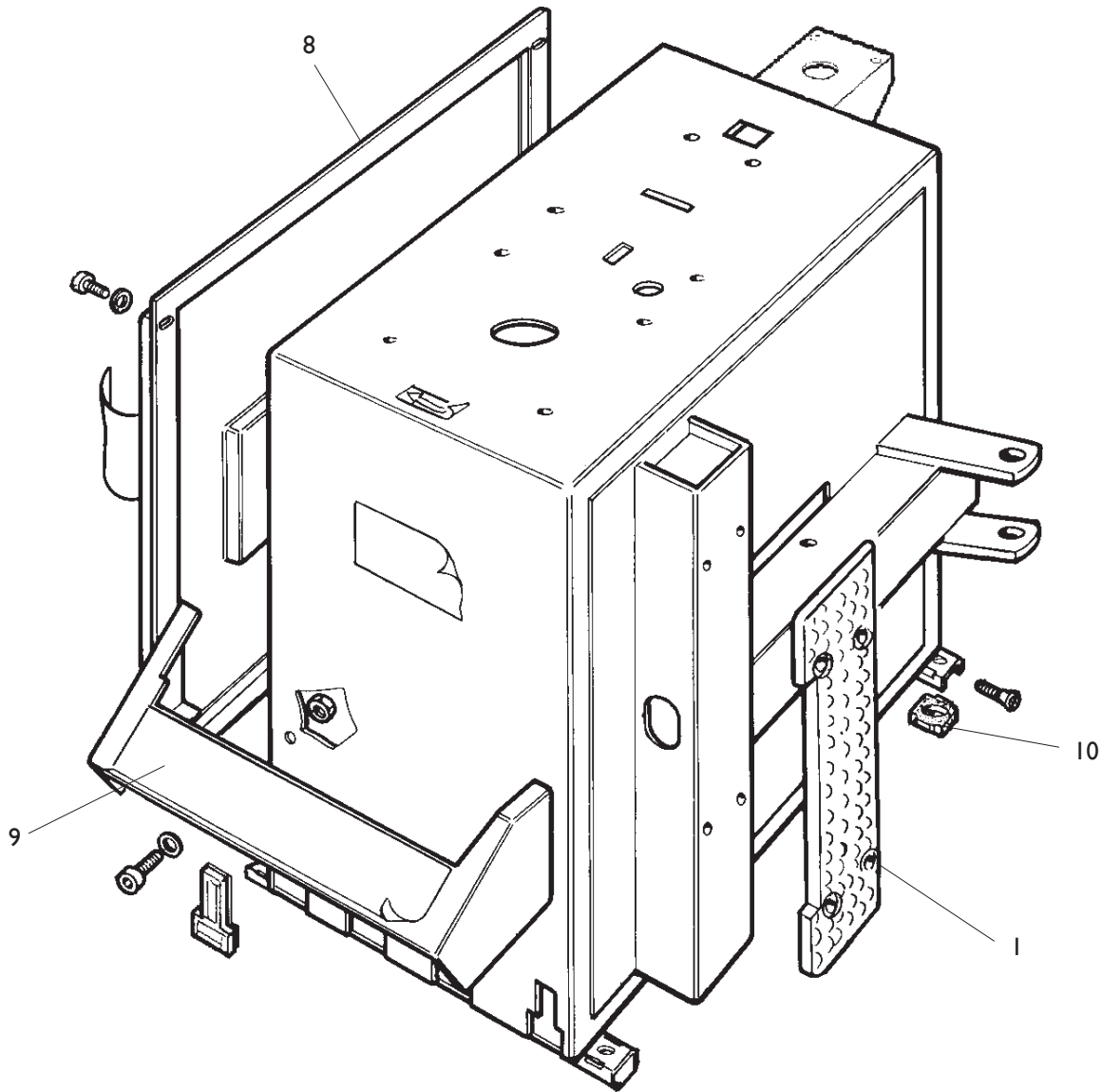
Production from

04 / 06

Der Katalog Ersatzteile stellt keine Genehmigung zu eigenmächtigen Eingriffen dar (mit Ausnahme jener im Handbuch beschriebenen), sondern er soll den Anwender in die Lage versetzen, dem technischen Service präzise Informationen zu liefern, um die Reparaturzeiten zu verkürzen.

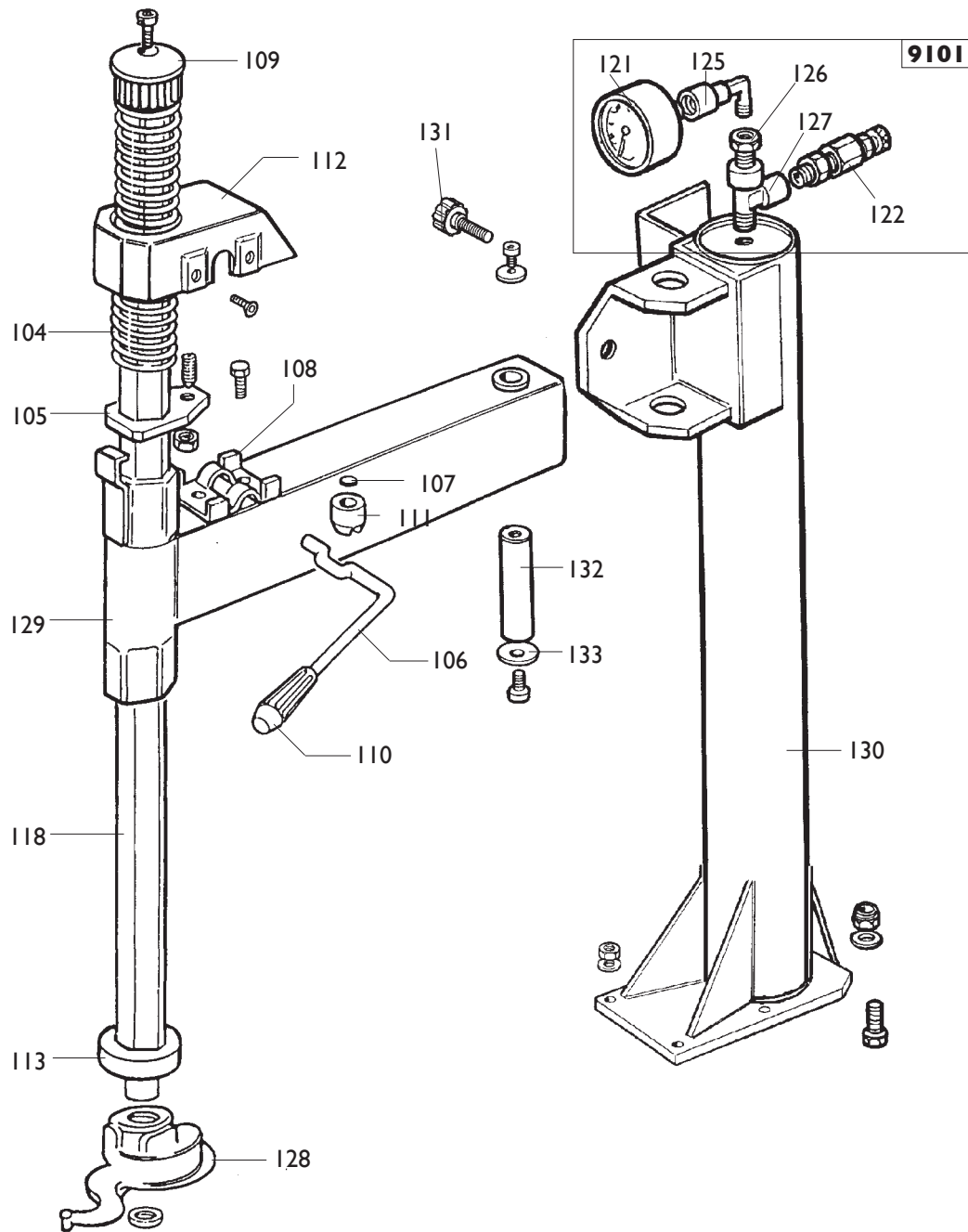


Le livret "Pièces de rechange", n'autorise pas l'utilisateur à intervenir sur les machines, sauf pour tout ce qui est clairement décrit dans le manuel d'utilisation, mais lui permet de fournir des informations précises à l'assistance technique, afin de diminuer les délais d'intervention.



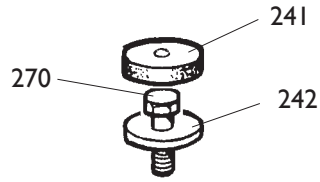
	A 9220 T.I.	Fig. A	03 / 03	Cassone
--	--------------------	---------------	----------------	----------------

0001	900436199	APPOGGIO	RIM SUPPORT	STUETZE	APPUI
0008	900341176	COFANO	HOOD	HAUBE	COFFRE
0009	900429976	PROTEZIONE	SHIELD	ABDECKUNG	PROTECTION
0010	900422019	PIEDE	FOOT	FUSS	PIED

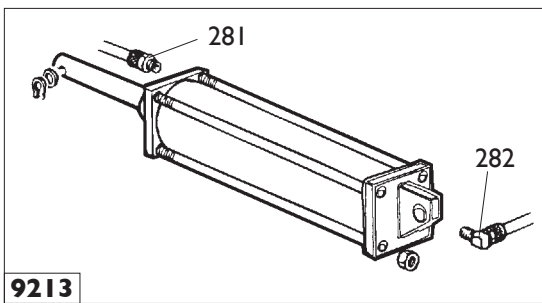
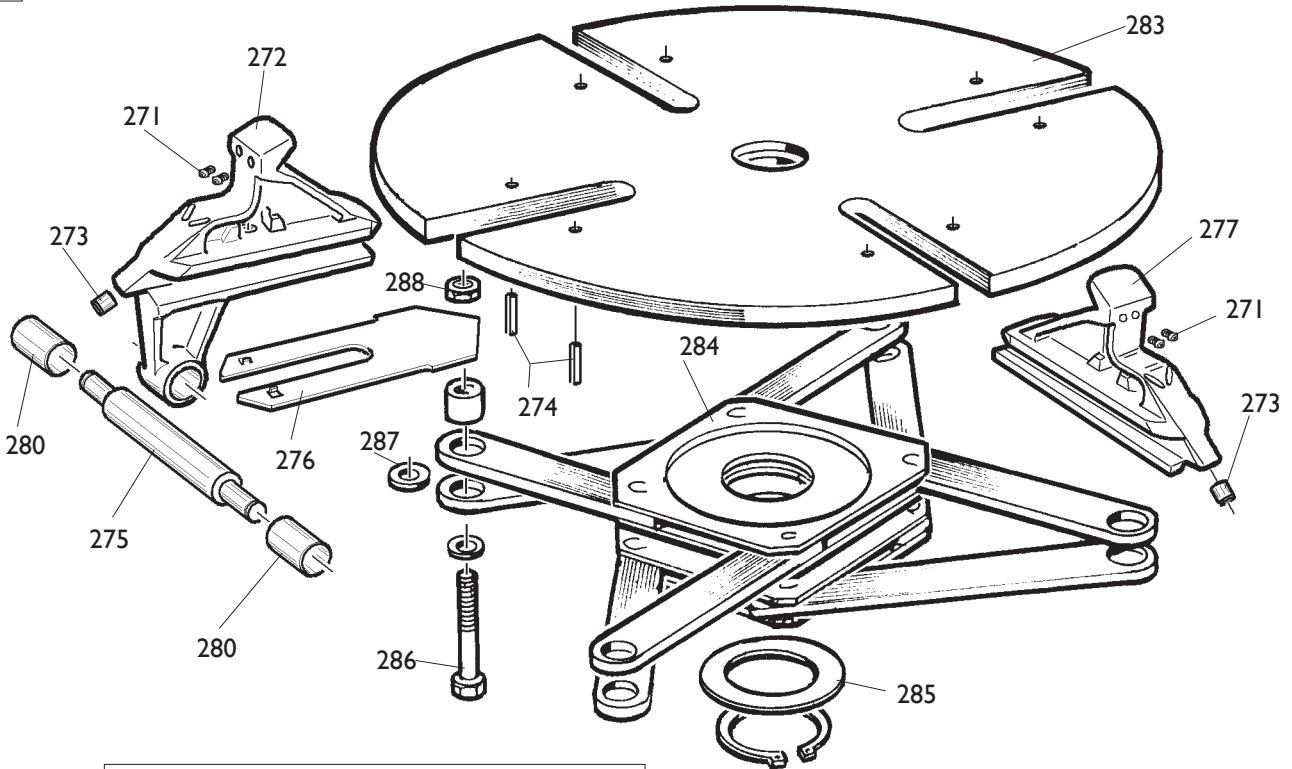


0104	900423765	MOLLA	SPRING	FEDER	RESSORT
0105	900440278	PIATTO	PLATE	TELLER	PLAT
0106	900440279	LEVA	LEVER	HEBEL	LEVIER
0107	900440280	PIASTRINA	PLATE	PLAETTCHEN	PLAQUETTE
0108	900440281	PIASTRINA	PLATE	PLAETTCHEN	PLAQUETTE
0109	900423907	POMOLO	KNOB	BALLENGRIFF	POMMEAU
0110	900417351	MANOPOLA	KNOB	BALLENGRIFF	BOUTON
0111	900440284	NOTTOLINO	PAWL	KLINKE	CLIQUET
0112	900440285	CARTER	CASING	GEHAUSE	CARTER
0113	900428681	ANELLO	RING	RING	ANNEAU
0116	900350194	RONDELLA	WASHER	UNTERLEGSCHIEBE	RONDELLE
0118	900343105	BRACCIO	ARM	ARM	BRAS
0128	900258458	TORRETTA	M/D HEAD	DREHKOPF	TOURELLE
0129	900261228	BRACCIO	ARM	ARM	BRAS
0130	900261216	PALO	SHAFT	MAST	POTEAU
0131	900441580	MANOPOLA	KNOB	BALLENGRIFF	BOUTON
0132	900323881	PERNO	PIN	ZAPFEN	PIVOT
0133	950318216	RONDELLA	WASHER	UNTERLEGSCHIEBE	RONDELLE

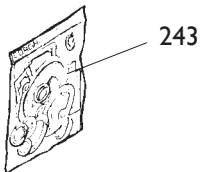
9101	900260176	GRUPPO	ASSEMBLY	GRUPPE	GROUPE
0121	9003-00494	MANOMETRO	PRESSURE GAUGE	DRUCKMESSER	MANOMETRE
0122	900435077	VALVOLA	VALVE	VENTIL	VANNE
0125	900441609	RACCORDO	CONNECTOR	ANSCHLUSS	RACCORD
0126	900440942	NIPPLO	CONNECTION	NIPPEL	NIPPLE
0127	900449677	RACCORDO	CONNECTOR	ANSCHLUSS	RACCORD



9212



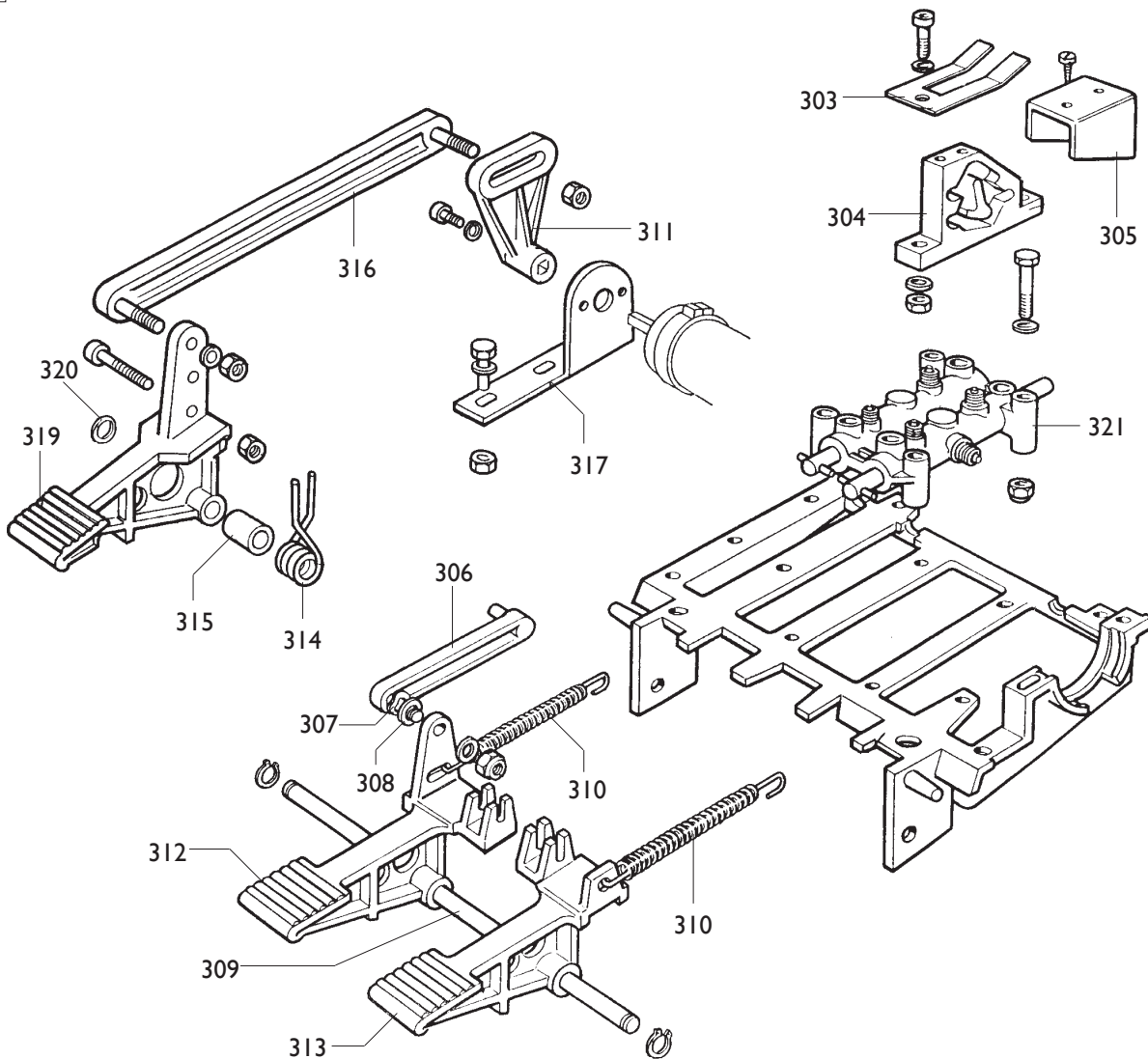
9213



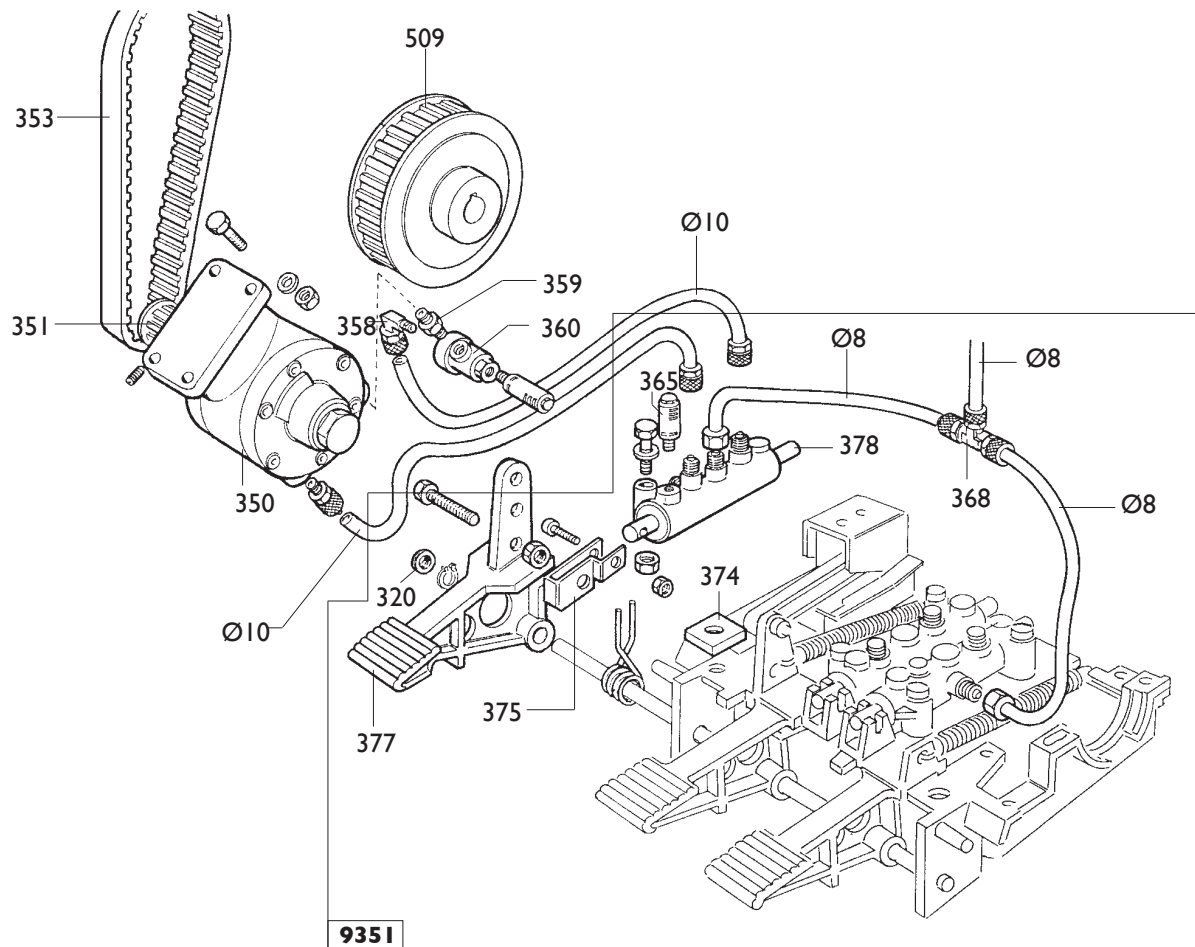
0242	900323363	RONDELLA	WASHER	UNTERLEGSCHIEBE	RONDELLE
0241	900426514	TAPPO	PLUG	STOPFEN	BOUCHON
0243	900238548	KIT GUARNIZIONI	SEALS KIT	DICHTUNGSATZ	KIT JOINTS
0270	900601216	VITE	SCREW	SCHRAUBE	VIS

9212	900253801	AUTOCENTRANTE T.I.	TURNTABLE T.I.	SPANNFUTTER T.I.	PLATEAU AUT. TI
0271	900339146	PUNTE DI BLOCC.	LOCKING PEAK	FESTKLEMMENSPIITZE	POINTE DE BLOCAG
0272	900253813	APPOGGIO T.I.	RIM SUPPORT T.I.	STUETZE T.I.	APPUI T.I.
0273	900441100	RACCORDO	CONNECTOR	ANSCHLUSS	RACCORD
0274	900601059	SPINA	PLUG	STECKER	FICHE
0275	900353804	PERNO	PIN	ZAPFEN	PIVOT
0276	900354638	COPRIASOLA	COVER	LOCHSTOPFEN	BOUCHON
0277	900253812	APPOGGIO T.I.	RIM SUPPORT T.I.	STUETZE T.I.	APPUI T.I.
0280	900353803	BOCCOLA	BUSHING	LAGER	DOUILLE
0283	900253758	PIATTO	PLATE	TELLER	PLAT
0284	900253776	FLANGIA	FLANGE	FLANSCH	FLASQUE
0285	900455082	RONDELLA	WASHER	UNTERLEGSCHIEBE	RONDELLE
0286	900602199	VITE	SCREW	SCHRAUBE	VIS
0287	900437964	RONDELLA	WASHER	UNTERLEGSCHIEBE	RONDELLE
0288	900601276	DADO	NUT	MUTTER	ECROU

9213	900253784	CILINDRO DESTRO	CYLINDER RIGHT	ZYLINDER	CYLINDRE
9213	900253783	CILINDRO SINISTRO	CYLINDER LEFT	ZYLINDER	CYLINDRE
0281	900441568	RACCORDO	CONNECTOR	ANSCHLUSS	RACCORD
0282	900443367	RACCORDO	CONNECTOR	ANSCHLUSS	RACCORD

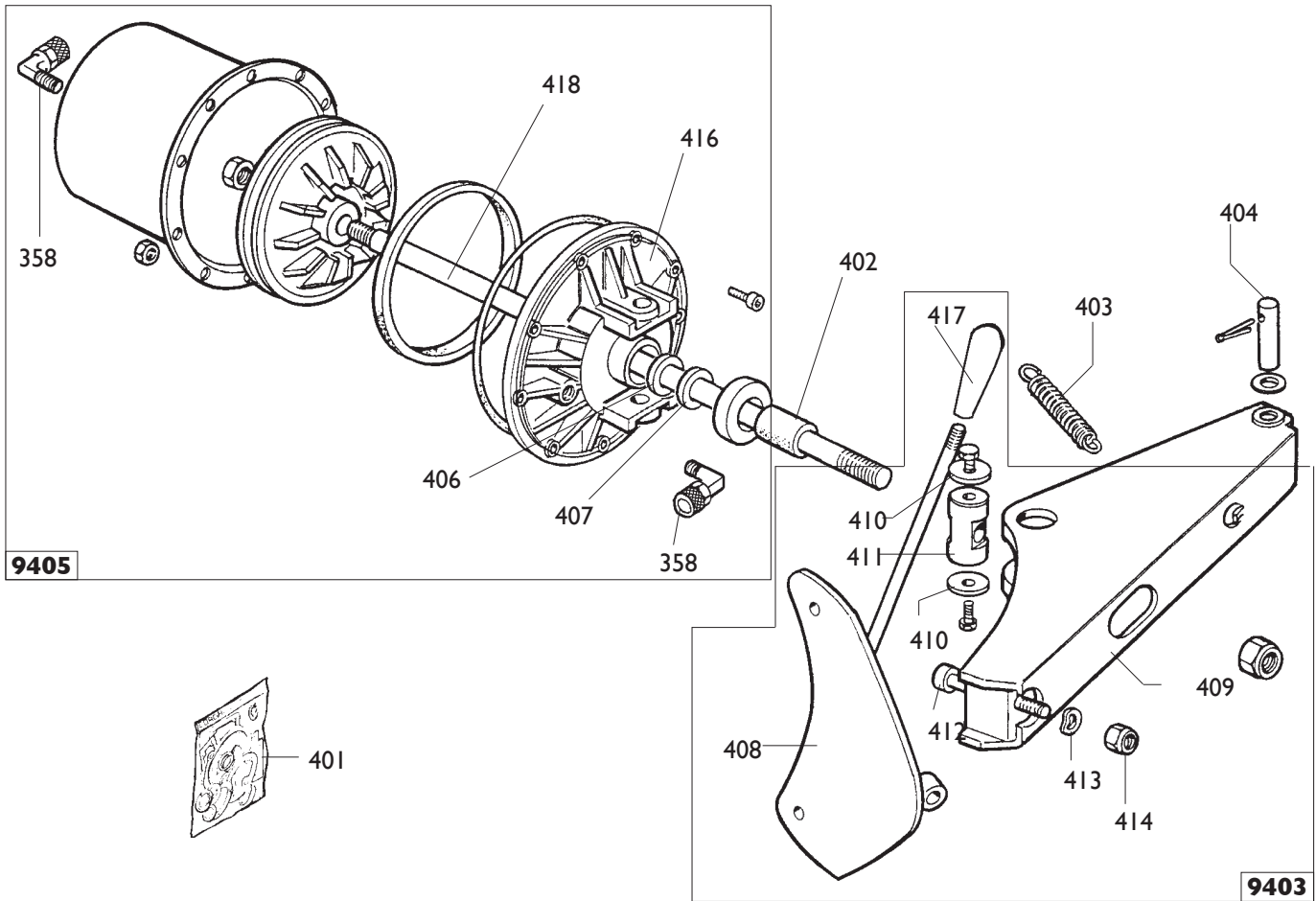
9301


9301	900241201	PEDALIERA	CONTROL PEDAL	PEDALERIE	GR.PEDALES
0303	900325019	BALESTRA	LEAF SPRING	BLATTFEDER	RESSORT A LAMES
0304	900425020	CAMMA	CAM	NOCKEN	CAME
0305	900325018	CAVALLOTTO	U-BOLT	BUEGELBOLZEN	CRAMPILLON
0306	900425014	BIELLA	TRACE	PLEUELSTANGE	BIELLE
0307	900419888	RONDELLA	WASHER	UNTERLEGSCHIEBE	RONDELLE
0308	900309358	RONDELLA	WASHER	UNTERLEGSCHIEBE	RONDELLE
0309	900325583	PERNO	PIN	ZAPFEN	PIVOT
0310	900410628	MOLLA	SPRING	FEDER	RESSORT
0311	900404283	LEVA	LEVER	HEBEL	LEVIER
0312	900325031	PEDALE	PEDAL	PEDAL	PEDALE
0313	900325032	PEDALE	PEDAL	PEDAL	PEDALE
0314	900428682	MOLLA	SPRING	FEDER	RESSORT
0315	900325050	DISTANZIALE	SPACER	ABSTANDSSTUECK	ENTRETOISE
0316	900429009	BIELLA	TRACE	PLEUELSTANGE	BIELLE
0317	900334758	SUPPORTO	SUPPORT	LAGER	SUPPORT
0319	900352009	PEDALE	PEDAL	PEDAL	PEDALE
0320	900452011	BOCCOLA	BUSHING	LAGER	DOUILLE
0321	900253298	RUBINETTO	COCK	HAHN	ROBINET



Ø8	900701683	TUBO	PIPE	ROHR	TUYAU
Ø10	900701875	TUBO	PIPE	ROHR	TUYAU
0350	900319135	MOTORE	MOTOR	MOTOR	MOTEUR
0351	900319076	PULEGGIA	PULLEY	RIEMENSCHIEBE	POULIE
0353	900425238	CINGHIA	BELT	RIEMEN	COURROIE
0358	900418350	RACCORDO	CONNECTOR	ANSCHLUSS	RACCORD
0359	900419142	NIPPLO	CONNECTION	NIPPEL	NIPPLE
0360	900419141	VALVOLA	VALVE	VENTIL	VANNE
0509	900319073	PULEGGIA	PULLEY	RIEMENSCHIEBE	POULIE

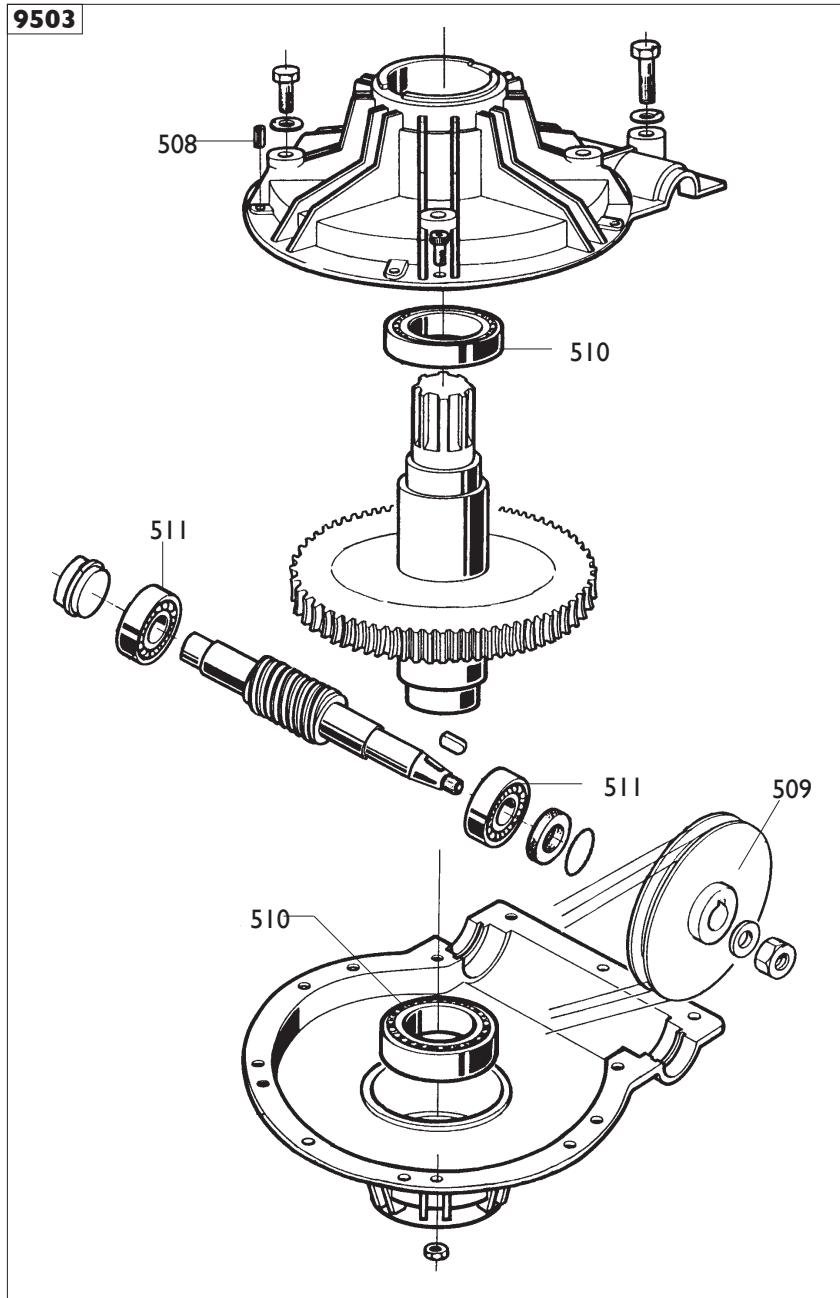
9351	900270526	PEDALIERA	CONTROL PEDAL	PEDALERIE	GR.PEDALES
0320	900452011	BOCCOLA	BUSHING	LAGER	DOUILLE
0365	900422682	SILENZIATORE	SILENCER	SCHALLDAEMPFER	SILENCIEUX
0368	900415860	RACCORDO	CONNECTOR	ANSCHLUSS	RACCORD
0374	900329058	PIASTRINA	PLATE	PLAETTCHEN	PLAQUETTE
0375	900331381	BIELLA	TRACE	PLEUELSTANGE	BIELLE
0377	900352029	PEDALE	PEDAL	PEDAL	PEDALE
0378	900258456	RUBINETTO	COCK	HAHN	ROBINET



0401	900238212	KIT GUARNIZIONI	SEALS KIT	DICHTUNGSATZ	KIT JOINTS
0402	900424096	TAMPONE	PAD	PUFFER	TAMPON
0403	900424364	MOLLA	SPRING	FEDER	RESSORT
0404	900323903	FULCRO	FULCRUM	DREHPUNKT	ENTABLURE

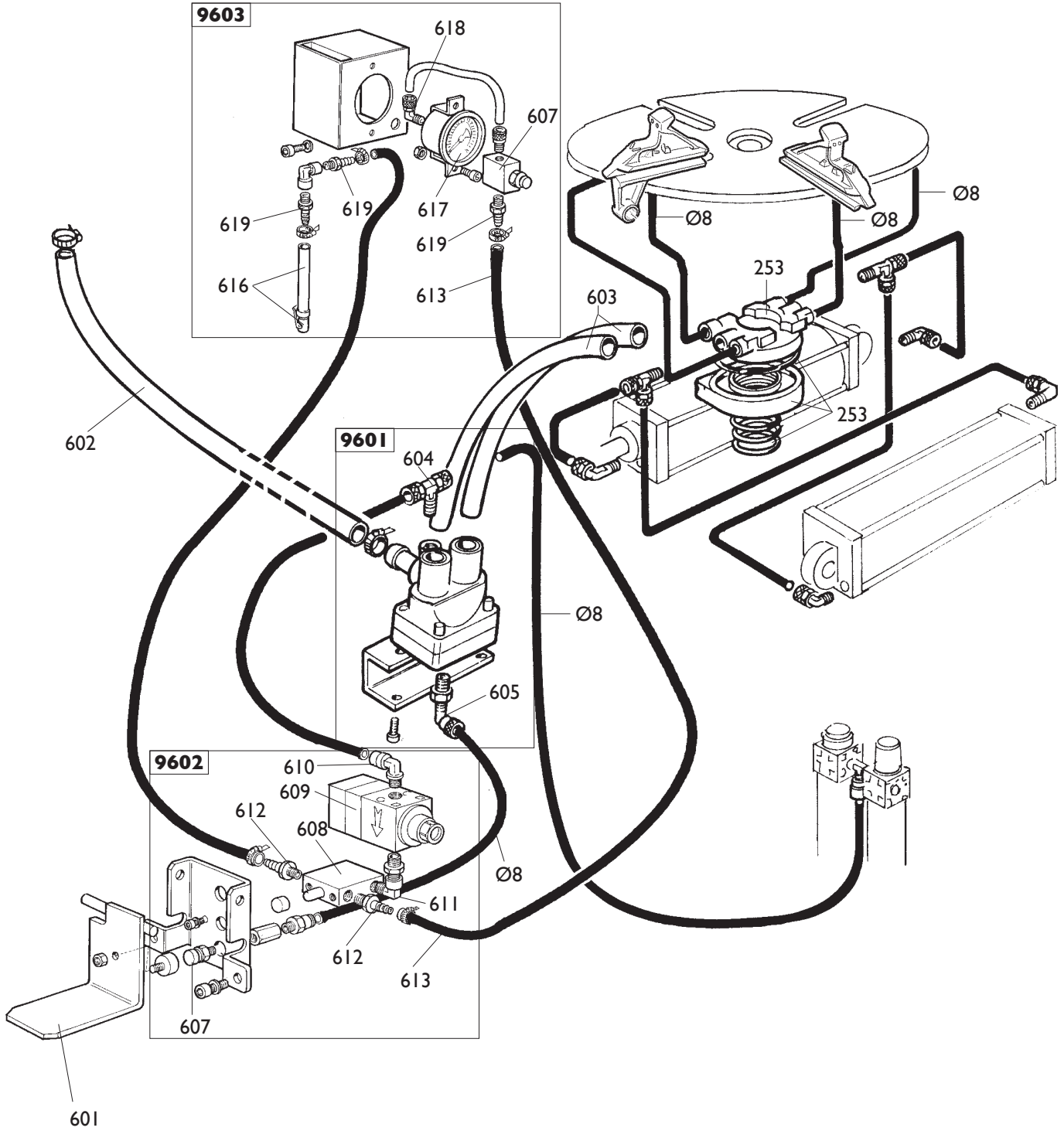
9403	900249612	BRACCIO	ARM	ARM	BRAS
0408	900224000	PALETTA	BEAD BREAKER	SCHAUFEL	PELLE
0409	900224003	BRACCIO	ARM	ARM	BRAS
0410	950323901	RONDELLA	WASHER	UNTERLEGSCHIEBE	RONDELLE
0411	900339045	PERNO	PIN	ZAPFEN	PIVOT
0412	900324008	PERNO	PIN	ZAPFEN	PIVOT
0413	900409650	RONDELLA	WASHER	UNTERLEGSCHIEBE	RONDELLE
0414	900422255	DADO	NUT	MUTTER	ECROU
0417	900425219	MANOPOLA	KNOB	BALLENGRIFF	BOUTON

9405	9005-100483	CILINDRO	CYLINDER	ZYLINDER	CYLINDRE
0358	900418350	RACCORDO	CONNECTOR	ANSCHLUSS	RACCORD
0406	900325561	RONDELLA	WASHER	UNTERLEGSCHIEBE	RONDELLE
0407	900434031	ANELLO	RING	RING	ANNEAU
0416	900252145	FLANGIA	FLANGE	FLANSCH	FLASQUE
0418	9004-101627	STELO	STEM	SHAFT	TIGE



0502 900238204 KIT GUARNIZIONI SEALS KIT DICHTUNGSATZ KIT JOINTS

9503	900255773	RIDUTTORE	GEAR BOX	GETRIEBE	REDUCTEUR
9503	900255774	RIDUTTORE (pneum.)	GEAR BOX(pn.)	GETRIEBE (pneum.)	REDUCTEUR
0508	900601280	SPINA ELASTICA	PIN	SPANNSTIFT	CHEVILLE
0509	900414344	PULEGGIA	PULLEY	RIEMENSCHLEIBE	POULIE
0509	900319073	PULEGGIA (pneum.)	PULLEY (pneum.)	RIEMENSCHLEIBE (pn.)	POULIE (pneum.)
0510	900601703	CUSCINETTO	BEARING	LAGER	ROULEMENT
0511	9002-03131	CUSCINETTO	BEARING	LAGER	ROULEMENT

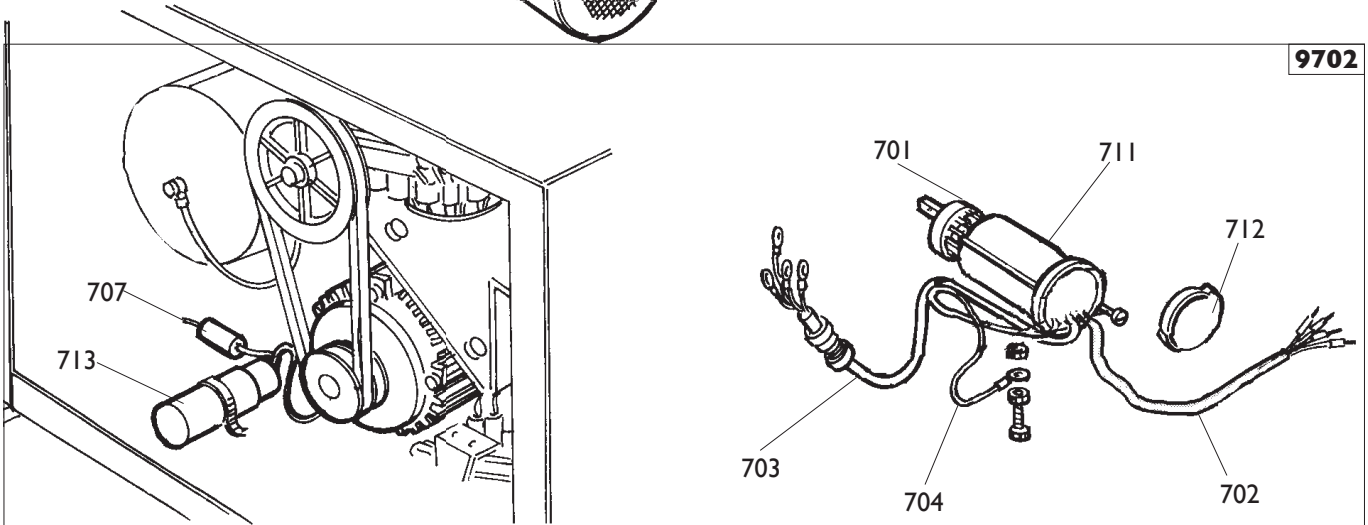
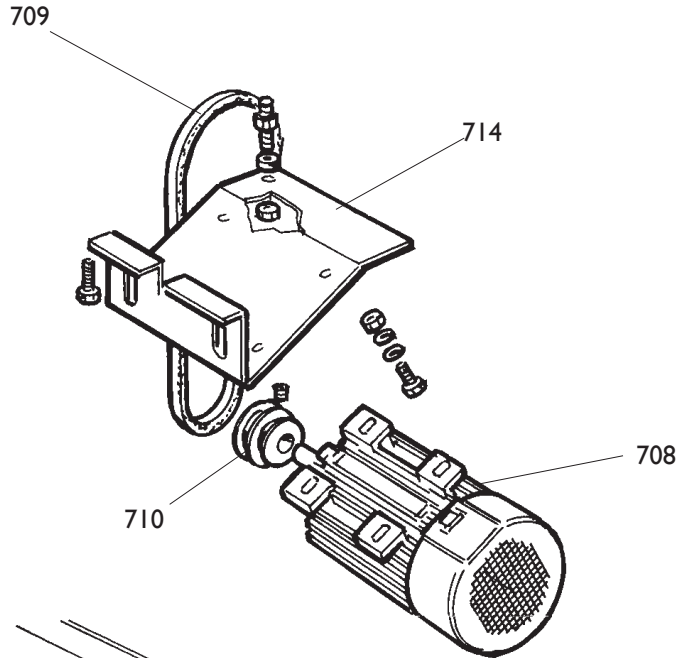


Ø6	900701684	TUBO	PIPE	ROHR	TUYAU
Ø8	900701683	TUBO	PIPE	ROHR	TUYAU
Ø10	900701875	TUBO	PIPE	ROHR	TUYAU
0253	900241841	RACCORDO	CONNECTOR	ANSCHLUSS	RACCORD
0601	900252625	PEDALE	PEDAL	PEDAL	PEDALE
0602	900346266	TUBO	PIPE	ROHR	TUYAU
0603	900342289	TUBO	PIPE	ROHR	TUYAU

9601	900241124	VALVOLA	VALVE	VENTIL	VANNE
0604	900438665	RACCORDO	CONNECTOR	ANSCHLUSS	RACCORD
0605	900441651	RACCORDO	CONNECTOR	ANSCHLUSS	RACCORD

9602	900252568	GRUPPO	ASSEMBLY	GRUPPE	GROUPE
0607	900235463	VALVOLA	VALVE	VENTIL	VANNE
0608	900452564	VALVOLA	VALVE	VENTIL	VANNE
0609	900452553	VALVOLA	VALVE	VENTIL	VANNE
0610	900450406	RACCORDO	CONNECTOR	ANSCHLUSS	RACCORD
0611	900418252	NIPPLO	CONNECTION	NIPPEL	NIPPLE
0612	900421137	INNESTO	CLUTCH	KUPPLUNG	EMBAYAGE
0613	900352614	TUBO	PIPE	ROHR	TUYAU

9603	900252600	SCATOLA	BOX	SCHACHTEL	BOITE
0607	900235463	VALVOLA	VALVE	VENTIL	VANNE
0613	900352614	TUBO	PIPE	ROHR	TUYAU
0616	900235462	TUBO	PIPE	ROHR	TUYAU
0617	900436364	MANOMETRO	PRESSURE GAUGE	DRUCKMESSER	MANOMETRE
0618	900434180	RACCORDO	CONNECTOR	ANSCHLUSS	RACCORD
0619	900429536	INNESTO	CLUTCH	KUPPLUNG	EMBAYAGE



IMPIANTO ELETTRICO ELECTRIC SYSTEM

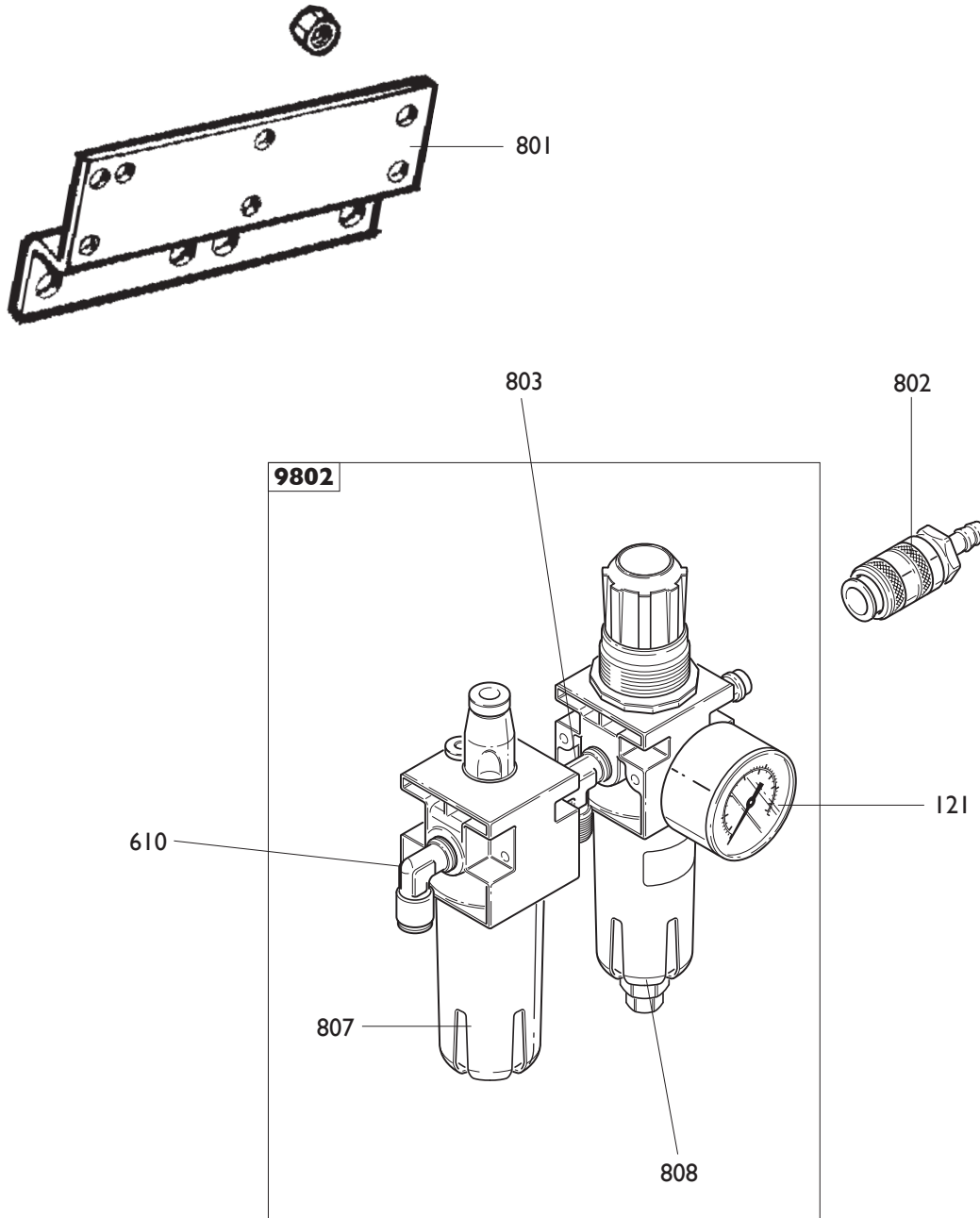
ELEKTRISCHE ANLAGE INSTALL. ELECTRIQUE

9702	900249882	110V 1ph	110V 1ph	110V 1ph	110V 1ph
0701	900435363	INVERTITORE	REVERSER	RICHTUNGSWENDER	INVERSEUR
0702	900230709	CAVO	CABLE	KABEL	CABLE
0703	900225419	CAVO	CABLE	KABEL	CABLE
0704	900225051	CAVALLOTTO	U-BOLT	BUEGELBOLZEN	CRAMPILLON
0705	900430750	CAPPELOTTO	CAP NUT	ABSCHLUSSKAPPE	CAPUCHON
0707	900430770	RESISTENZA	RESISTANCE	WIDERSTAND	RESISTANCE
0713	900449751	CONDENSATORE	CAPACITOR	KONDENSATOR	CONDENSATEUR

9702	900235574	3ph	3ph	3ph	3ph
0701	900421523	INVERTITORE	REVERSER	RICHTUNGSWENDER	INVERSEUR
0702	900235518	CAVO	CABLE	KABEL	CABLE
0703	900239203	CAVO	CABLE	KABEL	CABLE
0704	900225051	CAVALLOTTO	U-BOLT	BUEGELBOLZEN	CRAMPILLON

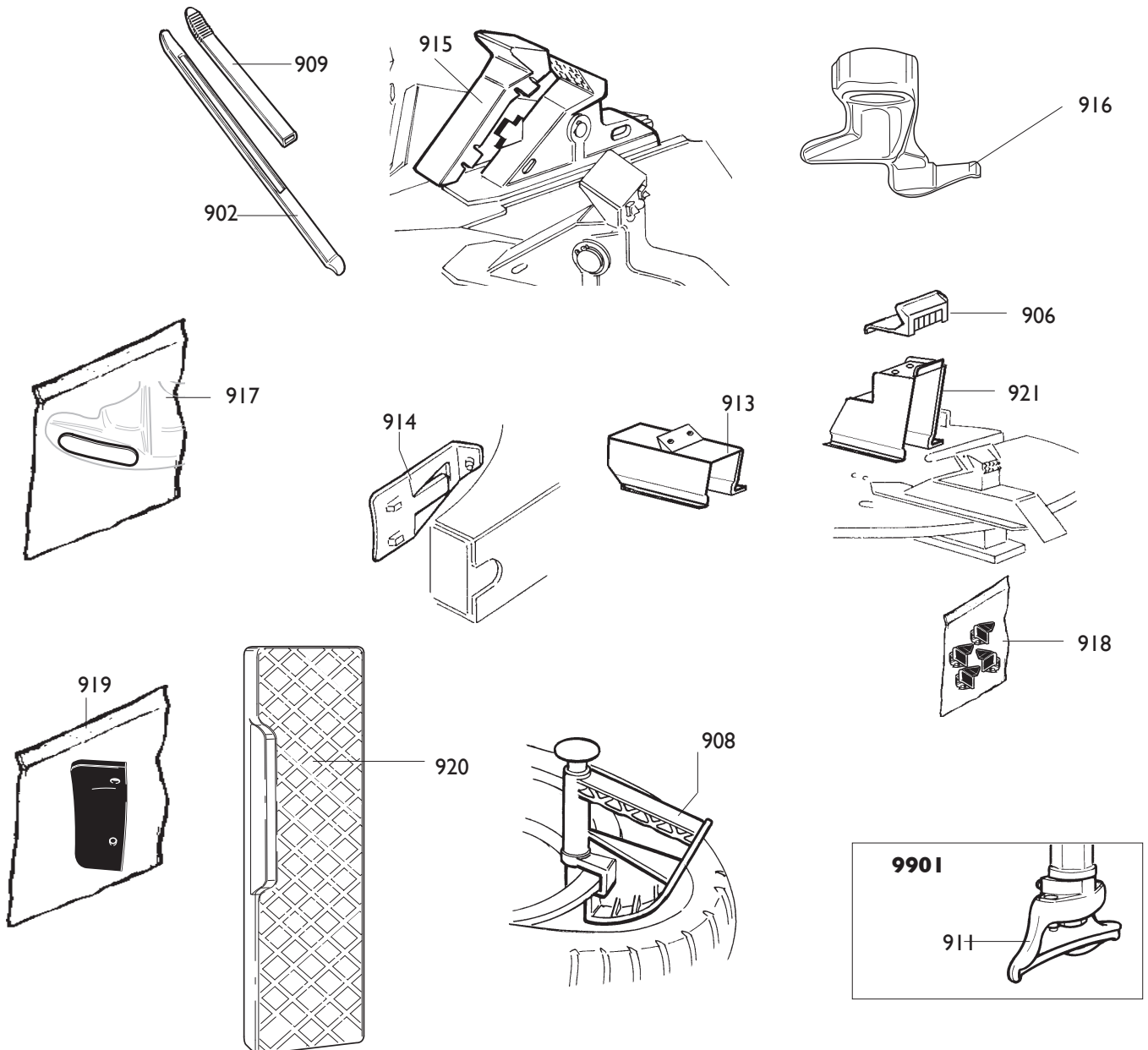
9702	9005-101068	110V 1ph C.S.A.	110V 1ph	110V 1ph	110V 1ph
0701	900435363	INVERTITORE	REVERSER	RICHTUNGSWENDER	INVERSEUR
0702	900447801	CAVO	CABLE	KABEL	CABLE
0703	900249590	CAVO	CABLE	KABEL	CABLE
0704	900225051	CAVALLOTTO	U-BOLT	BUEGELBOLZEN	CRAMPILLON
0705	900430750	CAPPELOTTO	CAP NUT	ABSCHLUSSKAPPE	CAPUCHON
0707	900430770	RESISTENZA	RESISTANCE	WIDERSTAND	RESISTANCE
0713	900430713	CONDENSATORE	CAPACITOR	KONDENSATOR	CONDENSATEUR

		MOTORE	MOTOR	MOTOR	MOTEUR
0708	950412959	380V 3ph	380V 3ph	380V 3ph	380V 3ph
0708	900449749	110V 1ph 60Hz	110V 1ph 60Hz	110V 1ph 60Hz	110V 1ph 60Hz
0708	900451842	110V 1ph 60Hz C.S.A.	110V 1ph 60Hz	110V 1ph 60Hz	110V 1ph 60Hz
0709	900426352	CINGHIA	BELT	RIEMEN	COURROIE
0710	900325274	PULEGGIA	PULLEY	RIEMENSCHLEIBE	POULIE
0711	900432065	PROTEZIONE	SHIELD	ABDECKUNG	PROTECTION
0712	900430991	COPERCHIO	LID	DECKEL	COUVERCLE
0714	900334768	CULLA	CRADLE	WIEGE	BERCEAU



0121	900434818	MANOMETRO	PRESSURE GAUGE	DRUCKMESSER	MANOMETRE
0801	900335695	STAFFA	BRACKET	KLAUE	ETRIER
0802	900441899	GIUNTO	COUPLING	KUPPLUNG	ACCOUPEMENT
0803	900433873	RACCORDO	CONNECTOR	ANSCHLUSS	RACCORD
0610	900450406	RACCORDO	CONNECTOR	ANSCHLUSS	RACCORD

9802	900456522	FILTRO	FILTER	FILTER	FILTRE
0807	900457512	BICCHIERE	BOWL	GLAS	BOL
0808	900457511	BICCHIERE	BOWL	GLAS	BOL



0902	900444238	LEVA	LEVER	HEBEL	LEVIER
0906	900435202	CUNEO	WEDGE	KEIL	COIN
0907	801242613	INSERTO	INSERT	EINLAGE	INSERT
0908	801435685	PINZA	PLIERS	ZANGE	PINCE
0909	8-11100104	PROTEZIONE	SHIELD	ABDECKUNG	PROTECTION
0913	801258650	ATTACCO	ADAPTOR	HALTERUNG	ATTAQUE
0914	801260402	STALLONATORE	BEAD BREAKER	WULSTABDRUECKER	DETTALLONEUR
0915	8-11100108	PROTEZIONE	SHIELD	ABDECKUNG	PROTECTION
0916	801252083	TORRETTA	M/D HEAD	DREHKOPF	TOURELLE
0917	8-11100107	INSERTO	INSERT	EINLAGE	INSERT
0918	8-11100106	INSERTO	INSERT	EINLAGE	INSERT
0919	8-11100105	PROTEZIONE	SHIELD	ABDECKUNG	PROTECTION
0920	801458663	PROTEZIONE	SHIELD	ABDECKUNG	PROTECTION
0921	900258649	BLOCCAGGIO	LOCKING	SPERRE	BLOCCAGE
9901	801250309	KIT torretta plastica	Plastic m/d head	Kunststoffmontagek.	Tourelle plastique
0911	900450310	Torretta plastica	Plastic m/d head	Kunststoffmontagekopf	Tourelle plastique

A series of horizontal dashed lines spanning the width of the page, providing a guide for writing.

Il disegno è realizzato con tutti i particolari ma solo quelli codificati sono forniti come ricambi. L'Azienda si riserva la facoltà di apportare modifiche senza preavviso.



Via per Carpi n°9 - 42015 Correggio (RE) ITALY
Tel. ++39 0522 639111 - Fax ++39 0522 639150
www.corgi.com - info@corgi.com

The drawing shows all parts but only the coded parts are supplied as spares. The Company reserves the right to make modifications without prior notice.

COMIM - Cod. 4-100548A.