

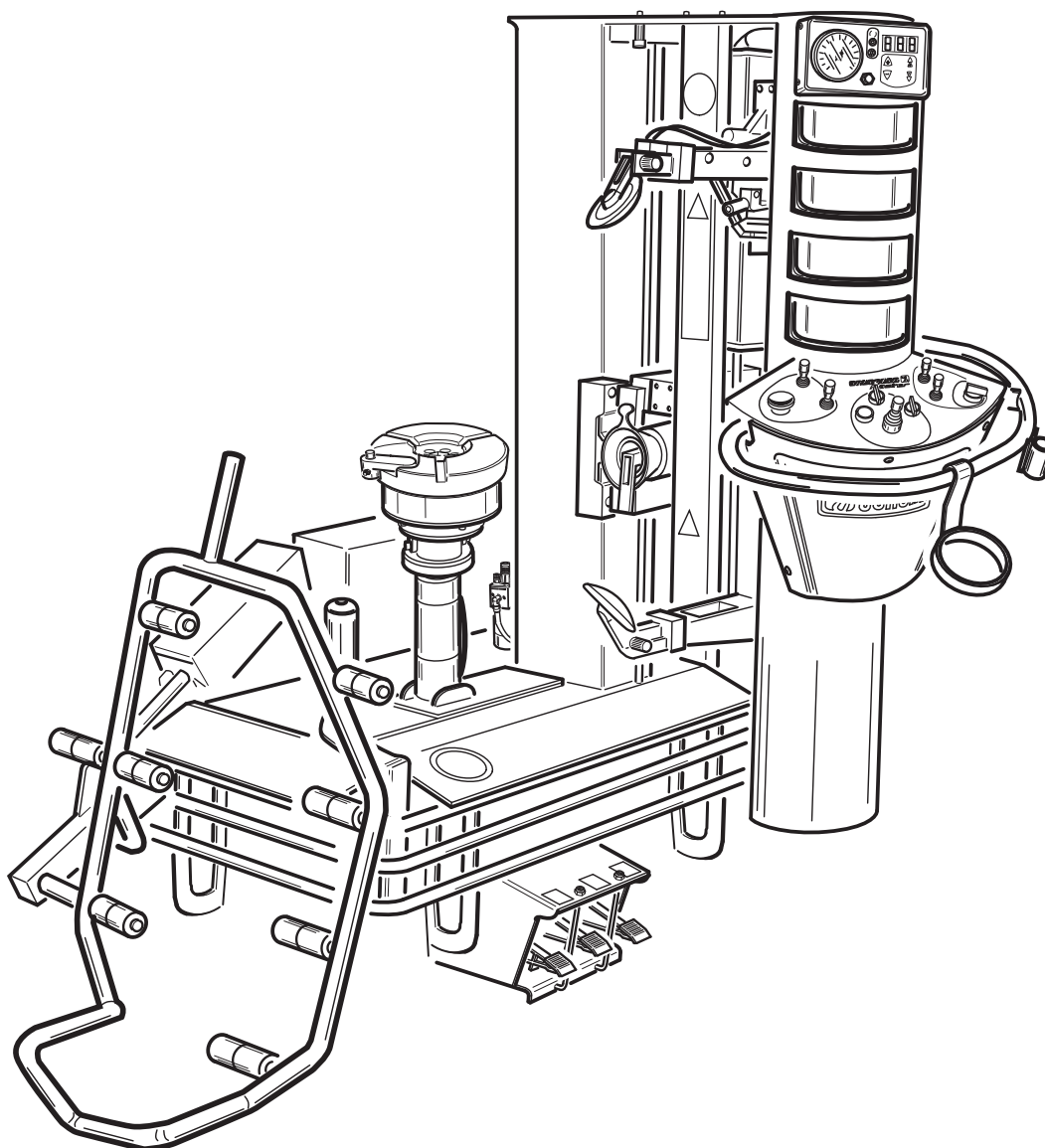
Questo libretto non autorizza l'utente ad intervenire sulle macchine ad esclusione di quanto esplicitamente descritto nel Manuale d'uso, ma consente all'utente di fornire informazioni precise all'Assistenza tecnica, al fine di ridurre i tempi di intervento.

The "Spare parts" booklet does not authorize the user to carry out work on the machine unless expressly specified in the instruction manual, but does enable him to provide accurate information to the assistance service in order to reduce downtime.

Artiglio

Master 26" MI

PEZZI DI RICAMBIO
SPARE PARTS LIST
ERSATZTEILLISTE
PIECES DE RECHANGE



Code

4-104538A

Production from

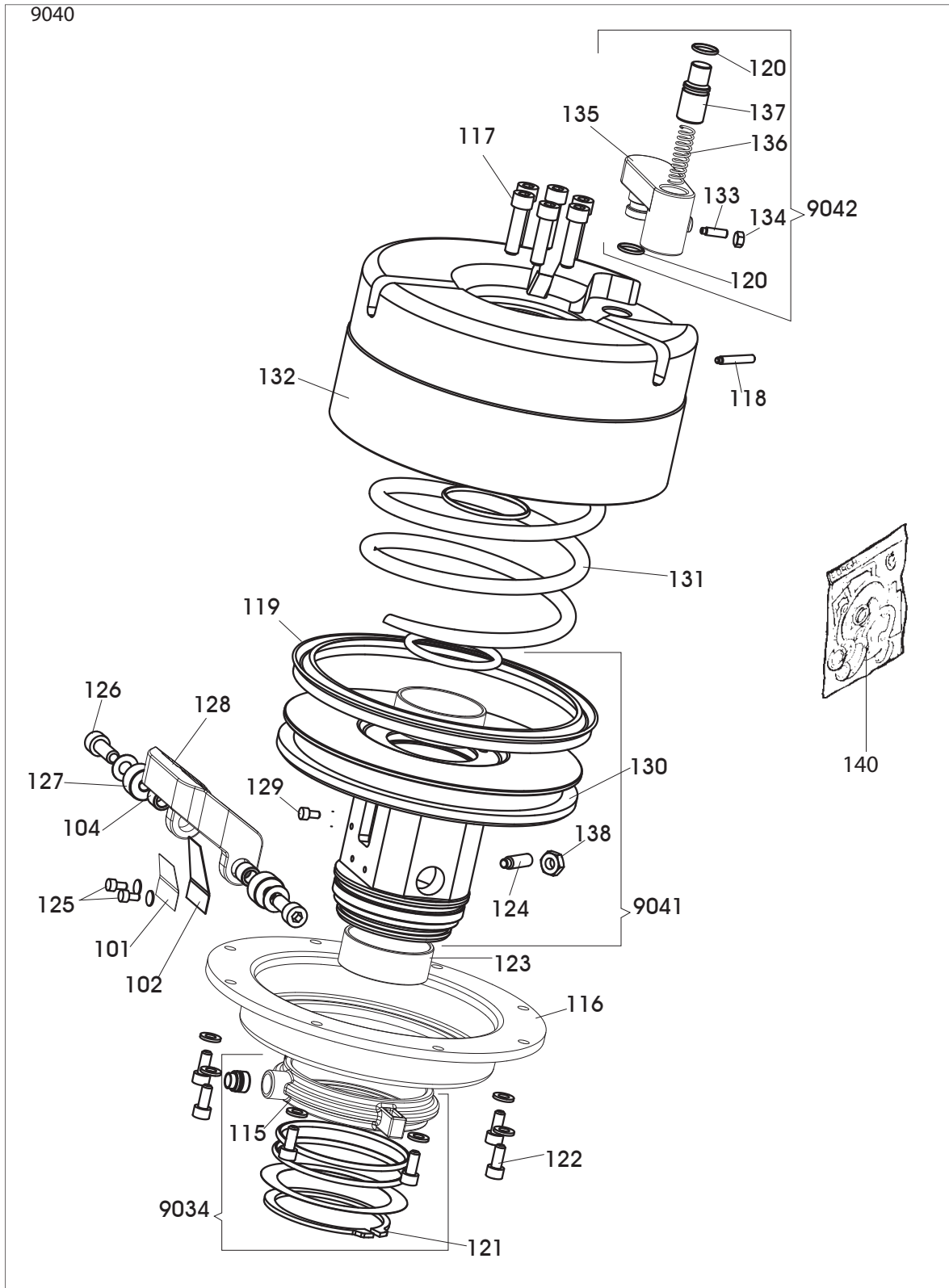
10 / 2006

Der Katalog Ersatzteile stellt keine Genehmigung zu eigenmächtigen Eingriffen dar (mit Ausnahme jener im Handbuch beschriebenen), sondern er soll den Anwender in die Lage versetzen, dem technischen Service präzise Informationen zu liefern, um die Reparaturzeiten zu verkürzen.

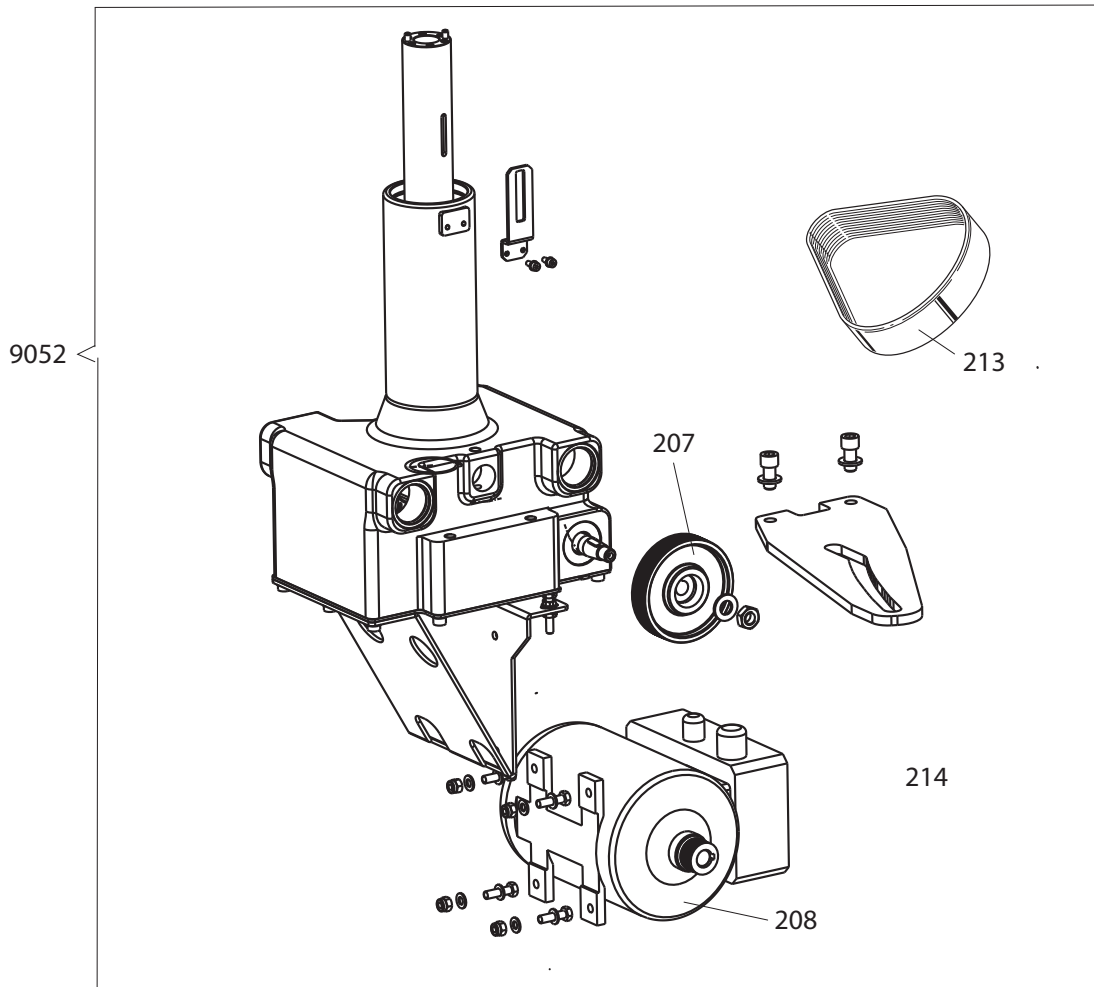
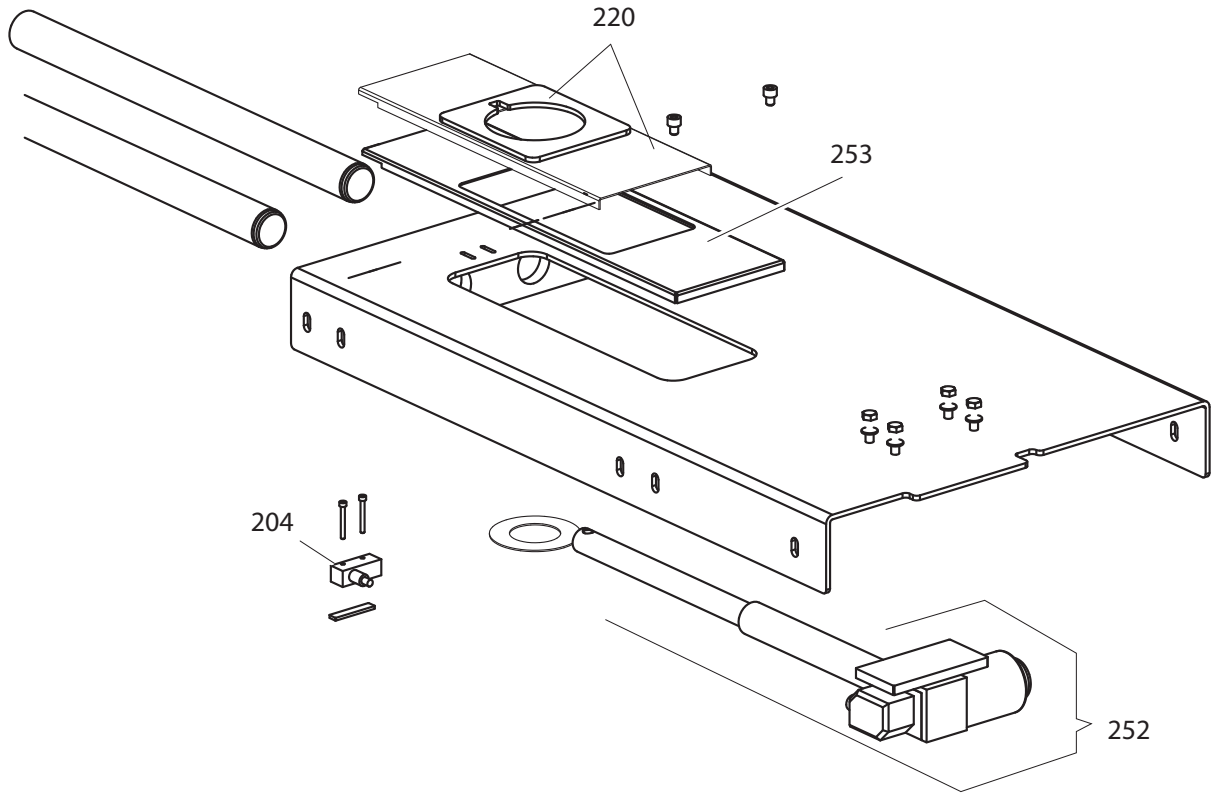


Le livret "Pièces de rechange", n'autorise pas l'utilisateur à intervenir sur les machines, sauf pour tout ce qui est clairement décrit dans le manuel d'utilisation, mais lui permet de fournir des informations précises à l'assistance technique, afin de diminuer les délais d'intervention.

9031	9005-100077	DISCO COMPL.	DISK	SCHEIBE	DISQUE
9033	9005-100687	DISCO+PERNO SUP.	DISK+PIN	ZAPFENHITPIN	DISQUE+PIVOT
0045	9005-100688	RULLO	ROLLER	WALZE	ROULEAU
9032	9005-100078	DISCO COMPL.	DISK	SCHEIBE	DISQUE
9053	9005-100686	DISCO+PERNO INF.	DISK+PIN	ZAPFENHITPIN	DISQUE+PIVOT
0045	9005-100688	RULLO	ROLLER	WALZE	ROULEAU
9003	900261424	CILINDRO	CYLINDER	ZYLINDER	CYLINDRE
0005	900446939	RACCORDO	CONNECTOR	ANSCHLUSS	RACCORD
0030	900342900	FLANGIA	FLANGE	FLANSCH	FLASQUE
0037	900363627	FLANGIA	FLANGE	FLANSCH	FLASQUE
0047	900440870	RACCORDO	CONNECTOR	ANSCHLUSS	RACCORD
9004	900261436	PISTONE	PISTON	KOLBEN	PISTON
0008	9003-00220	RACCORDO	CONNECTOR	ANSCHLUSS	RACCORD
0004	900461434	AMMORTIZZATORE	SHOCK ABSORB.	STOSSDAEMPFER	AMORTISSEUR
0011	900461430	ANTIVIBRANTE	VIBRATION DAMPER	SCHWINGUNGSDAE.	ANTI-VIBRATION
0012	900461428	MOLLA	SPRING	FEDER	RESSORT
0014	900361396	RULLO	ROLLER	WALZE	ROULEAU
0017	900361418	PERNO	PIN	ZAPFEN	PIVOT
0019	900421833	GUARNIZIONE	SEAL	DICHTUNG	JOINT
0020	900245067	KIT GUARN.(9003)	SEALS KIT(9003)	DICHTUNGSATZ(9003)	KIT JOINTS(9003)
0021	900462646	MOLLA	SPRING	FEDER	RESSORT
0022	900361422	PERNO	PIN	ZAPFEN	PIVOT
0023	900361423	PERNO	PIN	ZAPFEN	PIVOT
0024	900363190	ECCENTRICO	ECCENTRIC	NOCKEN	EXCENTRIQUE
0025	900463167	MOLLA	SPRING	FEDER	RESSORT
0026	900461432	MANIGLIA	HANDLE	HANDGRIFF	POIGNEE
0027	9002-03127	DADO	NUT	MUTTER	ECROU
0032	900363191	ECCENTRICO	ECCENTRIC	NOCKEN	EXCENTRIQUE
0033	900361389	ROTELLA	WHEEL	READCHEN	RUOLETTE
0035	900463164	AMMORTIZZATORE	SHOCK ABSORB.	STOSSDAEMPFER	AMORTISSEUR
0036	900462713	ANTIVIBRANTE	VIBRATION DAMPER	SCHWINGUNGSDAE.	ANTI-VIBRATION
0038	900361395	RONDELLA	WASHER	UNTERLEGSHEIBE	RONDELLE
0039	9004-100182	BARRA ESAGONALE	BAR	STANGE	BARRE
0040	900361390	PERNO	PIN	ZAPFEN	PIVOT
0041	900361392	ATTACCO CILIND.	SUPPORT	LAGER	SUPPORT
0042	900361415	STROZZATORE	THROTTLER	BROSSERKLAPPE	ETRANGLEUR
0044	900461435	MOLLA	SPRING	FEDER	RESSORT
0046	900361385	GANCIO STAL.	HOOK	HAKEN	CROCKET
0048	900361393	ATTACCO CILINDRO	ADAPTER	HALTERUNG	GRIFFE
0049	9002-01160	VITE	SCREW	SCHRAUBE	VIS



9040	9005-100006	AUTOCENTRANTE	TURNTABLE	SPANNFUTTER	PLATEAU AUTOCENTREUR
9034	9005-100869	RACCORDO	CONNECTOR	ANSCHLUSS	RACCORD
0115	9004-100760	RACCORDO	CONNECTOR	ANSCHLUSS	RACCORD
0121	9002-71590	ANELLO	RING	RING	ANNEAU
9041	9005-100007	PISTONE	PISTON	KOLBEN	PISTON
0119	900433339	GUARNIZIONE	SEAL	DICHTUNG	JOINT
0124	900601322	VITE	SCREW	SCHRAUBE	VIS
0129	900601989	VITE	SCREW	SCHRAUBE	VIS
0130	9004-102329	PISTONE	PISTON	KOLBEN	PISTON
0138	900600156	DADO	NUT	MUTTER	ECROU
9042	9005-101081	LEVA	LEVER	HEBEL	LEVIER
0120	900424630	ANELLO	RING	RING	ANNEAU
0133	9002-02560	VITE	SCREW	SCHRAUBE	VIS
0134	900600676	DADO	NUT	MUTTER	ECROU
0135	9004-102064	LEVA	LEVER	HEBEL	LEVIER
0136	9004-102331	MOLLA	SPRING	FEDER	RESSORT
0137	9004-102326	PERNO	PIN	ZAPFEN	PIVOT
0101	900361285	BALESTRA	LEAF SPRING	BLATTFEDER	RESSORT A LAMES
0102	900361279	BALESTRA	LEAF SPRING	BLATTFEDER	RESSORT A LAMES
0127	900361278	DISTANZIALE	SPACER	ABSTANDSSTUECK	ENTRETOISE
0140	9005-101607	KIT GUARN. (9040)	SEALS KIT (9040)	DICHTUNGSATZ (9040)	KIT JOINTS (9040)
0116	9004-101891	COPERCHIO	LID	DECKEL	COUVERCLE
0117	9004-102325	VITE	SCREW	SCHRAUBE	VIS
0118	9002-03337	VITE	SCREW	SCHRAUBE	VIS
0122	9002-03471	VITE	SCREW	SCHRAUBE	VIS
0123	9003-00647	BOCCOLA	BUSHING	LAGER	DOUILLE
0125	9002-01965	VITE	SCREW	SCHRAUBE	VIS
0126	9002-03348	VITE	SCREW	SCHRAUBE	VIS
0128	9004-102332	CRICCHETTO	CRICK	SPERRKLINKE	CLIQUET
0131	9004-102327	MOLLA	SPRING	FEDER	RESSORT
0132	9004-102070	CENTRAGGIO	SPIGOT	ZENTRIERUNG	CENTRAGE

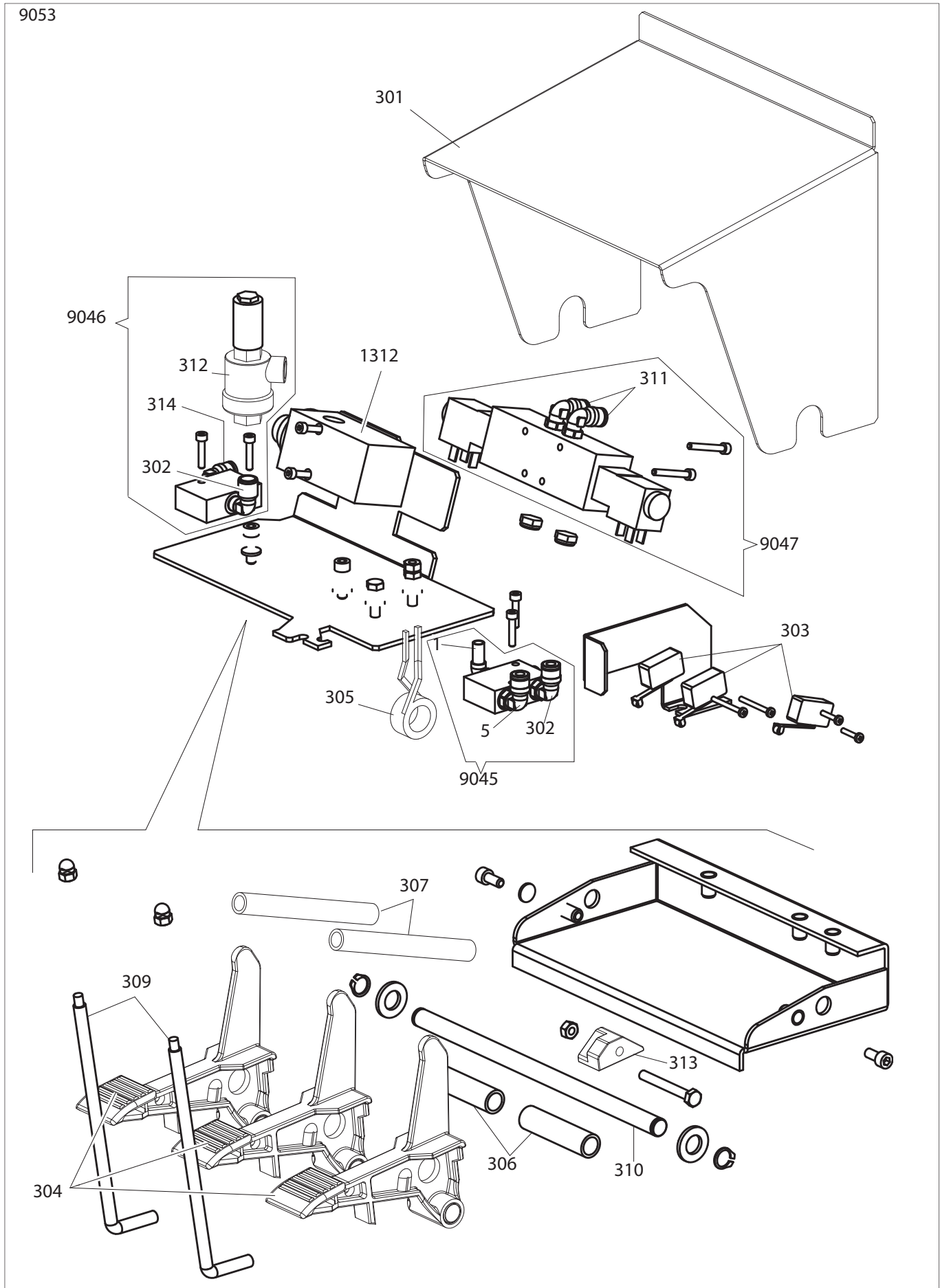


0204	900461380	MICROINTERR.	MICROSWITCH	MIKROSCHALTER	MICROINTERRUPTEUR
0220	9004-101410	PROTEZIONE	SHIELD	ABDECKUNG	PROTECTION
0252	9005-100562	ATTUATORE	ACTUATOR	DREHTRIEB	ACTUATEUR
0253	9004-100307	LAMIERA	METAL SHEET	BLECH	TOLE

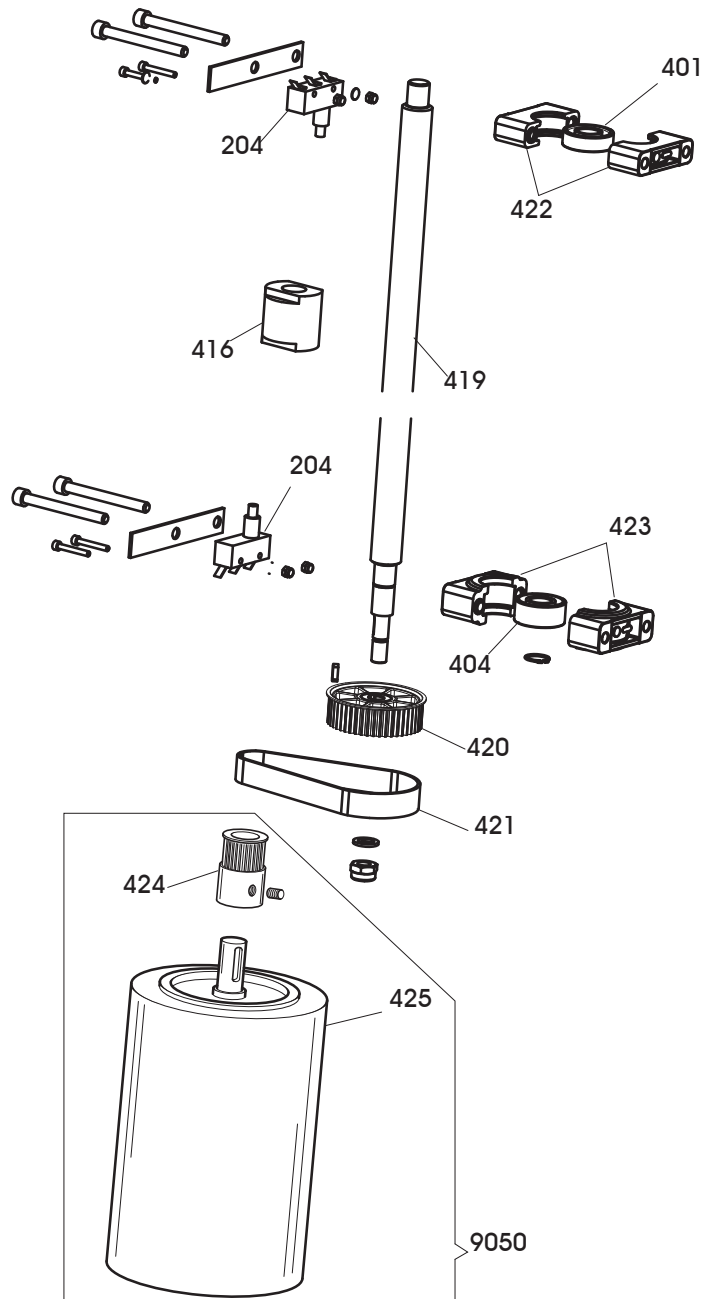
9052	9005-100710	RIDUTTORE 230V	GEAR BOX 230V	GETRIEBE 230V	REDUCTEUR 230V
0207	900354082	PULEGGIA	PULLEY	RIEMENSCHIEBE	POULIE
0208	9004-105908	SK. MOTOINVERTER	P.C.BOARD	ELEK.PLATINE	FICHE ELECTR.
0213	900454084	CINGHIA	BELT	RIEMEN	COURROIE
0214	9004-104329	PULEGGIA	PULLEY	RIEMENSCHIEBE	POULIE

9052	9005-101467	RIDUTTORE 115V	GEAR BOX 115V	GETRIEBE 115V	REDUCTEUR 115V
0207	900354082	PULEGGIA	PULLEY	RIEMENSCHIEBE	POULIE
0208	9004-105909	SK. MOTOINVERTER	P.C.BOARD	ELEK.PLATINE	FICHE ELECTR.
0213	900454084	CINGHIA	BELT	RIEMEN	COURROIE
0214	9004-104329	PULEGGIA	PULLEY	RIEMENSCHIEBE	POULIE

9053

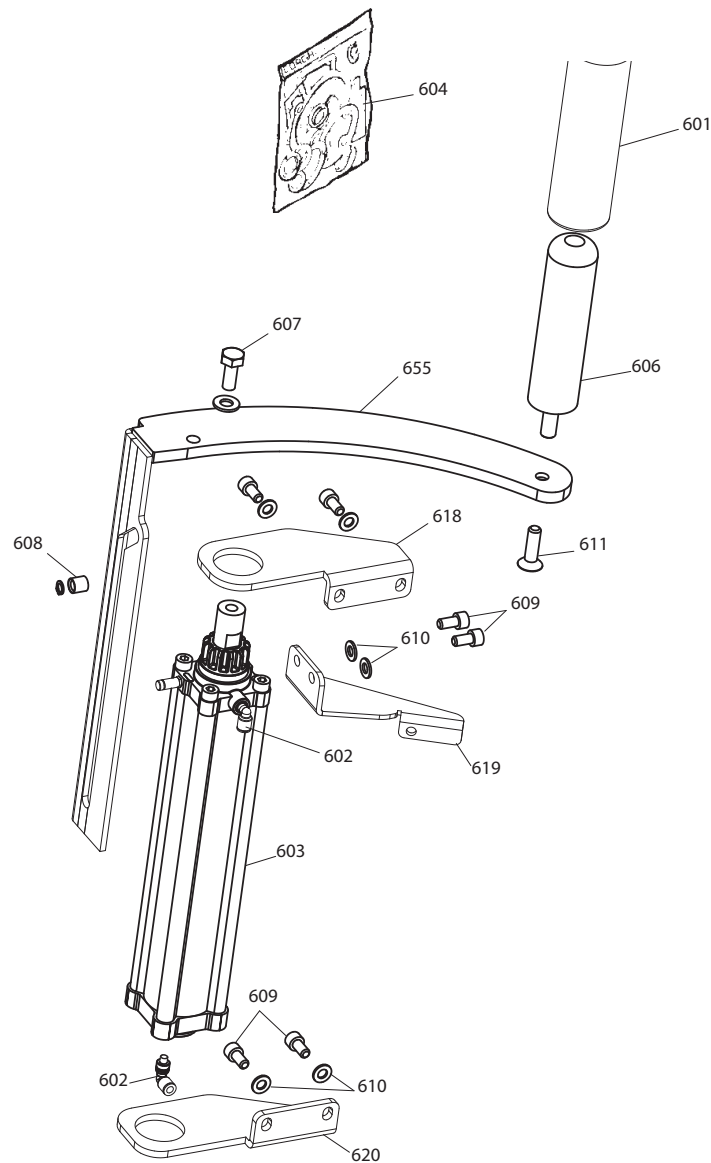


9053	9005-100735	PEDALIERA	CONTROL PEDAL	PEDALERIE	GR.PEDALES
9045	9005-100628	VALVOLA	VALVE	VENTIL	VANNE
0001	9003-01176	RACCORDO	CONNECTOR	ANSCHLUSS	RACCORD
0302	900440868	RACCORDO	CONNECTOR	ANSCHLUSS	RACCORD
0005	900440870	RACCORDO	CONNECTOR	ANSCHLUSS	RACCORD
9046	9005-100627	VALVOLA	VALVE	VENTIL	VANNE
0302	900440868	RACCORDO	CONNECTOR	ANSCHLUSS	RACCORD
0312	900453631	VALVOLA	VALVE	VENTIL	VANNE
0314	900441609	RACCORDO	CONNECTOR	ANSCHLUSS	RACCORD
9047	9005-100625	VALVOLA	VALVE	VENTIL	VANNE
0311	900443367	RACCORDO	CONNECTOR	ANSCHLUSS	RACCORD
0301	900361536	COPERCHIO	LID	DECKEL	COUVERCLE
0303	900440874	MICROINTERR.	MICROSWITCH	MIKROSCHALTER	MICROINTERRUPTEUR
0304	900252010	PEDALE	PEDAL	PEDAL	PEDALE
0305	900428682	MOLLA	SPRING	FEDER	RESSORT
0306	900361534	DISTANZIALE	SPACER	ABSTANDSSTUECK	ENTRETOISE
0307	900410628	MOLLA	SPRING	FEDER	RESSORT
0309	900361537	PROTEZIONE	SHIELD	ABDECKUNG	PROTECTION
0310	9004-102179	PERNO	PIN	ZAPFEN	PIVOT
0313	900461535	BLOCCHETTO	BLOCK	BLOCK	BLOC
1312	900452553	VALVOLA	VALVE	VENTIL	VANNE

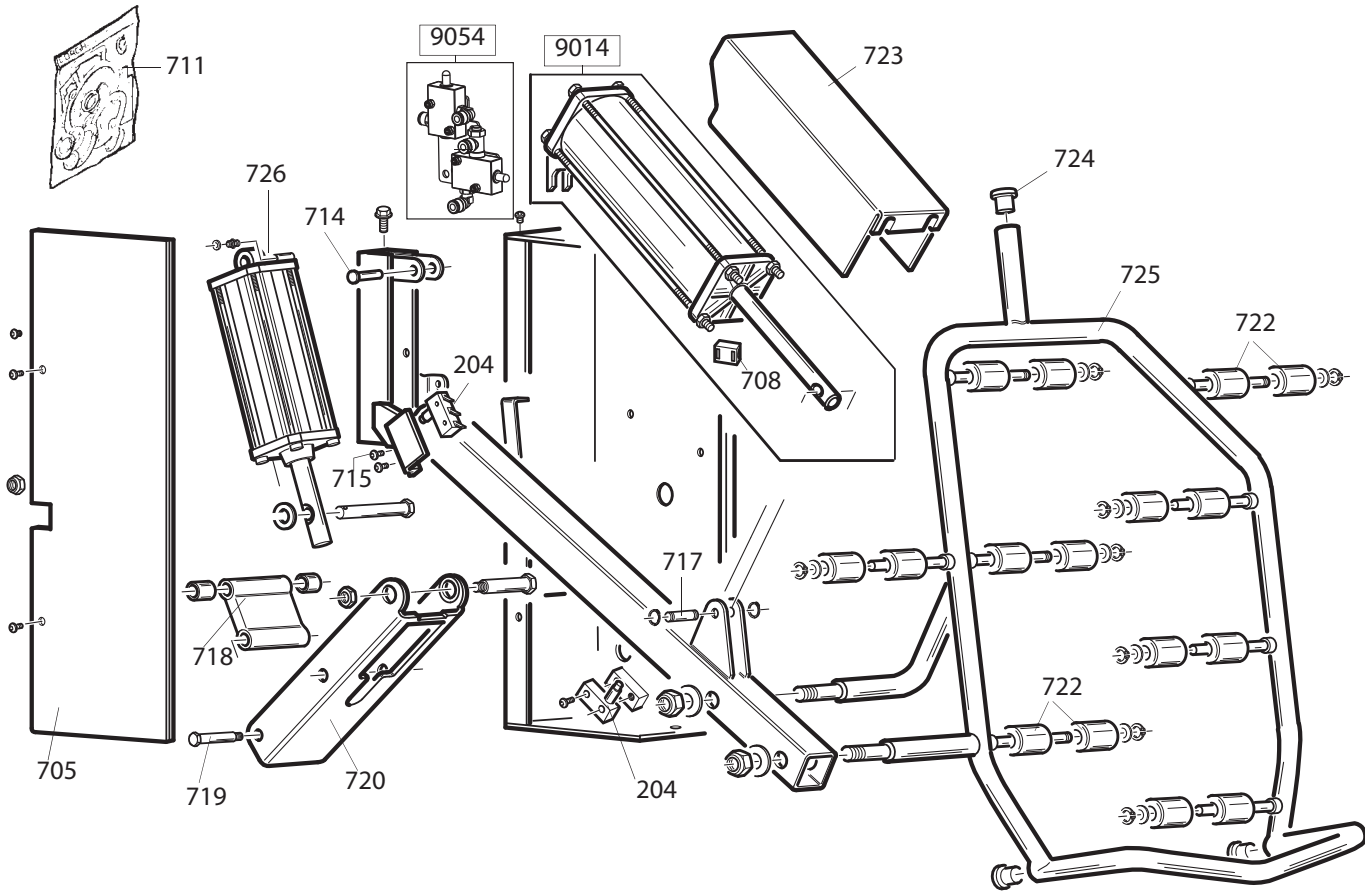


9050	9005-100819	MOTORE	MOTOR	MOTOR	MOTEUR
0424	9004-102630	PULEGGIA	PULLEY	REIMENSCHLEIBE	POULIE
0425	9004-102627	MOTORE	MOTOR	MOTOR	MOTEUR

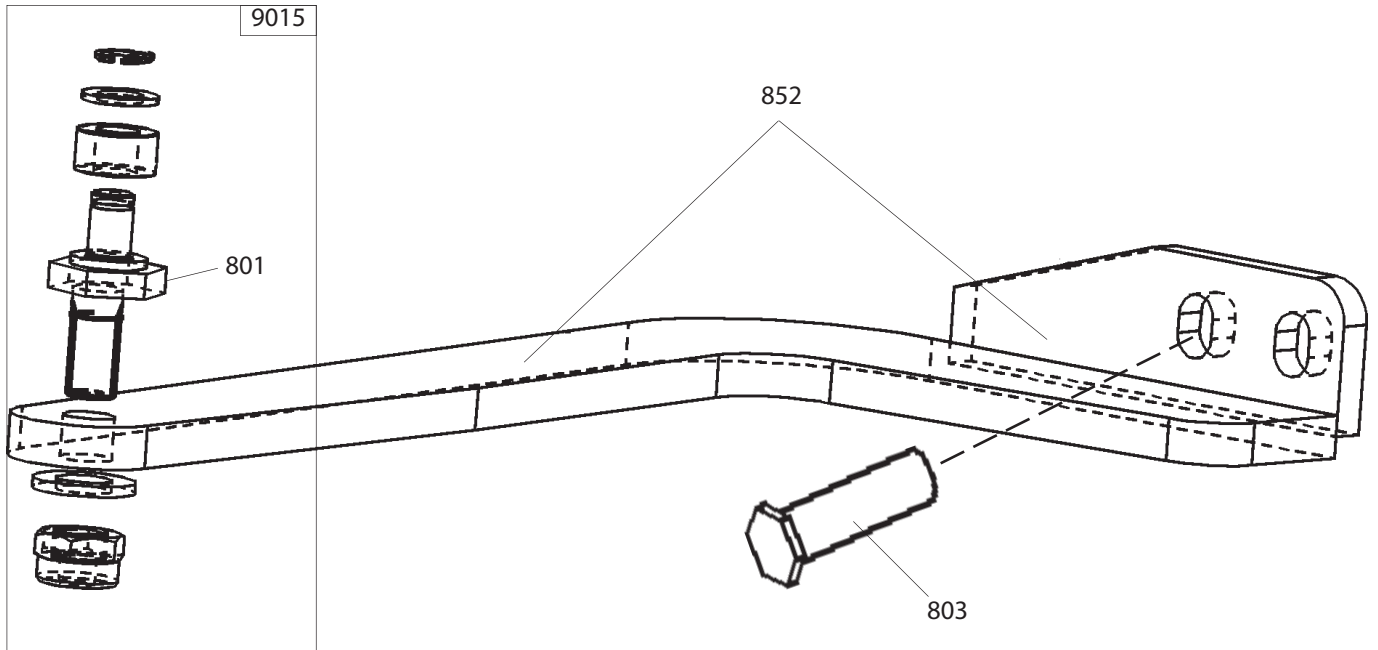
0204	900461380	MICROINTERR.	MICROSWITCH	MIKROSCHALTER	MICROINTERRUPTEUR
0401	9002-03071	CUSCINETTO	BEARING	LAGER	ROULEMENT
0404	9002-03070	CUSCINETTO	BEARING	LAGER	ROULEMENT
0416	900361603	CHIOCCIOLA	SCROLL	SCHRAUBE	ECROU
0419	900361598	ALBERO TRASL	SHAFT	WELLE	ARBRE
0420	9004-102438	PULEGGIA	PULLEY	RIEMENSCHLEIBE	POULIE
0421	9003-01477	CINGHIA	BELT	RIEMEN	COURROIE
0422	9004-100630	PROTEZIONE	SHIELD	ABDECKUNG	PROTECTION
0423	9004-100631	PROTEZIONE	SHIELD	ABDECKUNG	PROTECTION



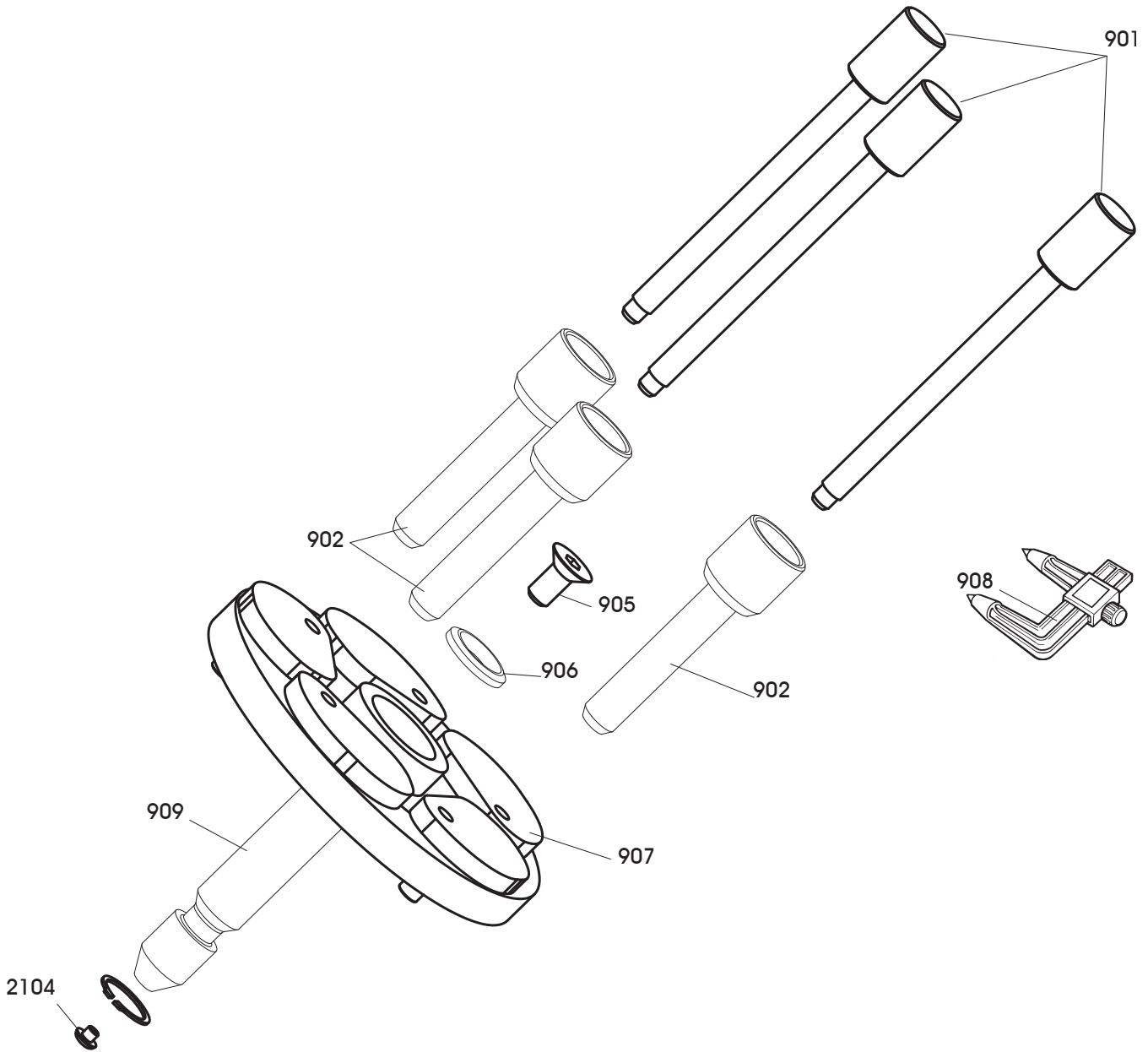
0601	900361315	SUPPORTO	SUPPORT	LAGER	SUPPORT
0602	9003-00149	RACCORDO	CONNECTOR	ANSCHLUSS	RACCORD
0603	900261326	CILINDRO	CYLINDER	ZYLINDER	CYLINDRE
0604	900262384	KIT GUARN.(603)	SEALS KIT(603)	DICHTUNGSSATZ(603)	KIT JOINTS(603)
0606	900262852	PROLUNGA	EXTENSION CORD	VERLAENGERUNG	RALLONGE
0607	9002-02184	VITE	SCREW	SCHRAUBE	VIS
0608	900361320	RULLO	ROLLER	WALZE	ROULEAU
0609	900600319	VITE	SCREW	SCHRAUBE	VIS
0610	900600212	RONDELLA	WASHER	UNTERLEGSHEIBE	RONDELLE
0611	9002-02299	VITE	SCREW	SCHRAUBE	VIS
0618	900361316	STAFFA	BRACKET	KLAUE	ETRIER
0619	900361322	LAMIERA	METAL SHEET	BLECH	TOLE
0620	900361317	STAFFA	BRACKET	KLAUE	ETRIER
0655	9004-100345	LAMIERA	METAL SHEET	BLECH	TOLE



9054	9005-101522	VALVOLA	VALVE	VENTIL	VANNE
9014	9005-101184	CILINDRO	CYLINDER	ZYLINDER	CYLINDRE
0708	9003-01175	VALVOLA	VALVE	VENTIL	VANNE
0204	900461380	MICROINTERR.	MICROSWITCH	MIKROSCHALTER	MICROINTERRUPTEUR
0726	9005-101529	CILINDRO	CYLINDER	ZYLINDER	CYLINDRE
0705	900361356	LAMIERA	METAL SHEET	BLECH	TOLE
0711	900262382	KIT GUARN.(726)	SEALS KIT(726)	DICHTUNGSATZ(726)	KIT JOINTS(726)
0711	900241484	KIT GUARN.(9014)	SEALS KIT(9014)	DICHTUNGSATZ(9014)	KIT JOINTS(9014)
0708	9003-01175	VALVOLA	VALVE	VENTIL	VANNE
0714	900361350	PERNO	PIN	ZAPFEN	PIVOT
0715	900361345	LAMIERA	METAL SHEET	BLECH	TOLE
0717	900361349	PERNO	PIN	ZAPFEN	PIVOT
0718	9004-100627	BIELLA	TRACE	PLEVELSTANGE	BIELLE
0719	900361348	PERNO	PIN	ZAPFEN	PIVOT
0720	900361333	BIELLA	TRACE	PLEVELSTANGE	BIELLE
0722	9004-103619	RULLO SOLLEVATORE	ROLLER	WALTZE	ROULEAU
0723	900 4-103618	LAMIERA	METAL SHEET	BLECH	TOLE
0724	900456036	TAPPO	PLUG	STOPFEN	BOUCHON
0725	9004-103623	TUBO SOLLEVATORE	HOIST	HEBEBUEHNE	ELEVATEUR

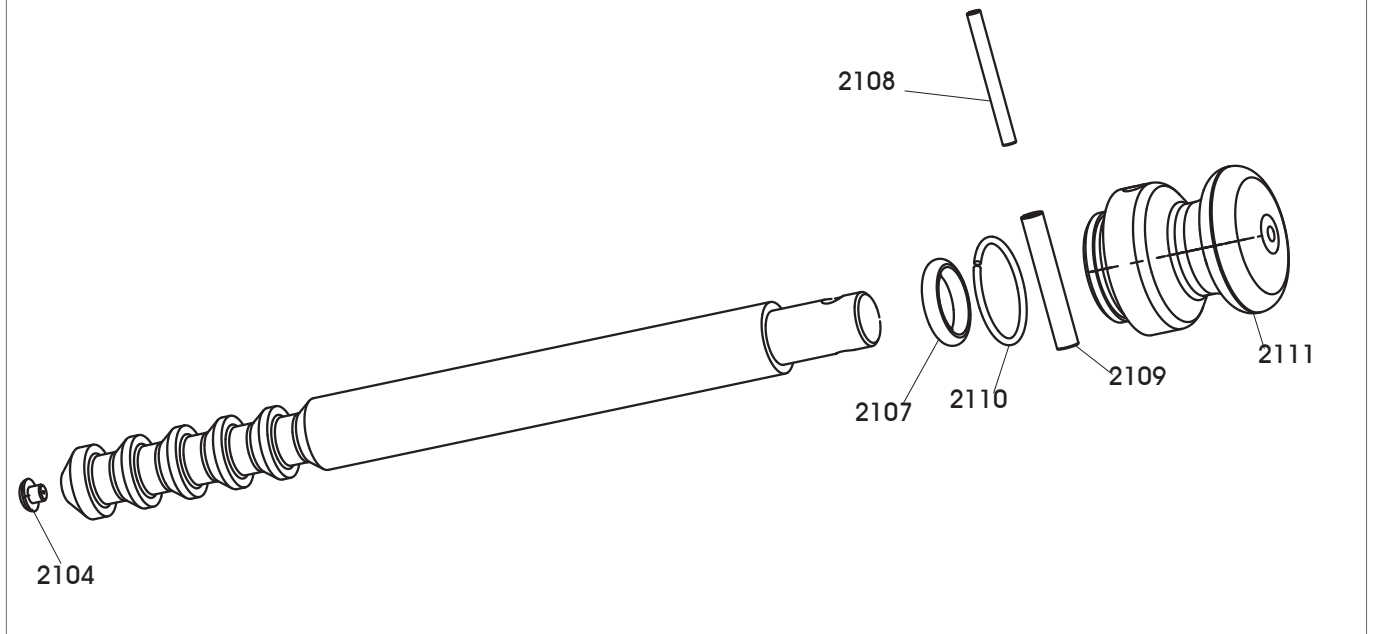


9015	900262387	ECCENTRICO	ECCENTRIC	NOCKEN	EXCENTRIQUE
0801	900361308	ECCENTRICO	ECCENTRIC	NOCKEN	EXCENTRIQUE
0803	9002-03157	VITE	SCREW	SCHRAUBE	VIS
0852	9004-100337	BRACCIO	ARM	ARM	BRAS

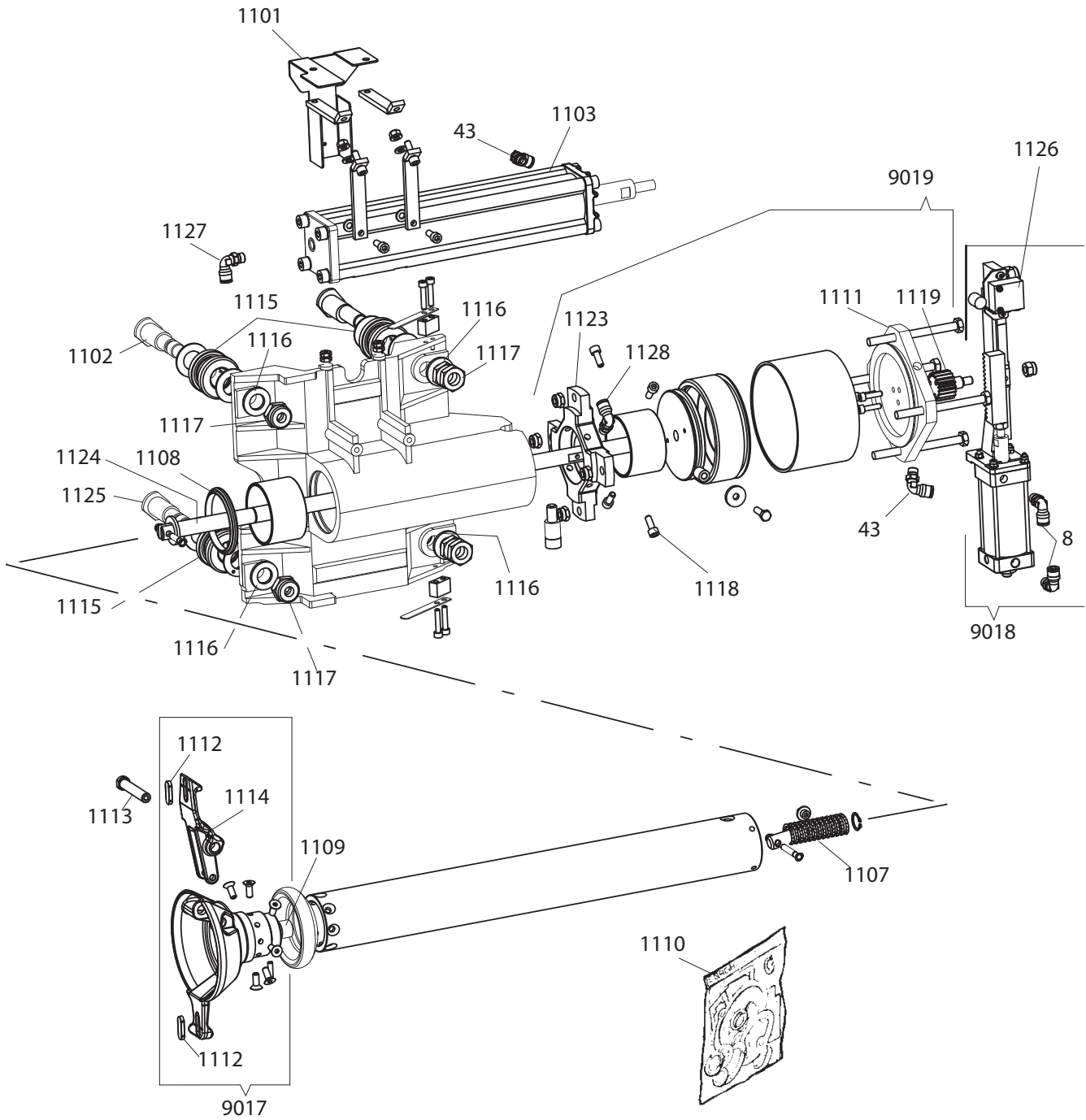


0901	900361647	VITE	SCREW	SCHRAUBE	VIS
0902	900361648	GHIERA	NUT	NUTMUTTER	BAGUE
0905	9002-03074	VITE	SCREW	SCHRAUBE	VIS
0906	900361662	RONDELLA	WASHER	UNTERLEGSCHIEBE	RONDELLE
0907	900463082	SET FLANGE	FLANGE SET	FLANSCH	FLASQUE
0908	900441286	RILEVATORE	SIGNAL TRACER	AUFNEHMER	MESEUREUR
0909	9004-102372	BARRA	BAR	STANGE	BARRE
2104	900461560	PROTEZIONE	SHIELD	ABDECKUNG	PROTECTION

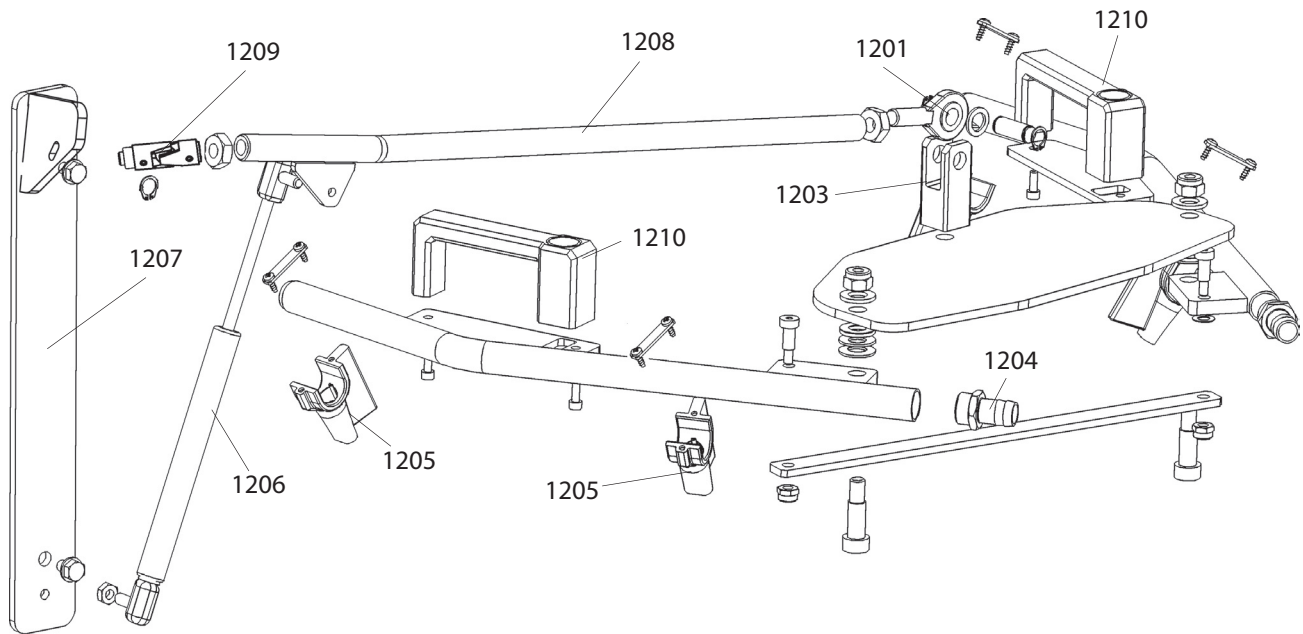
9048



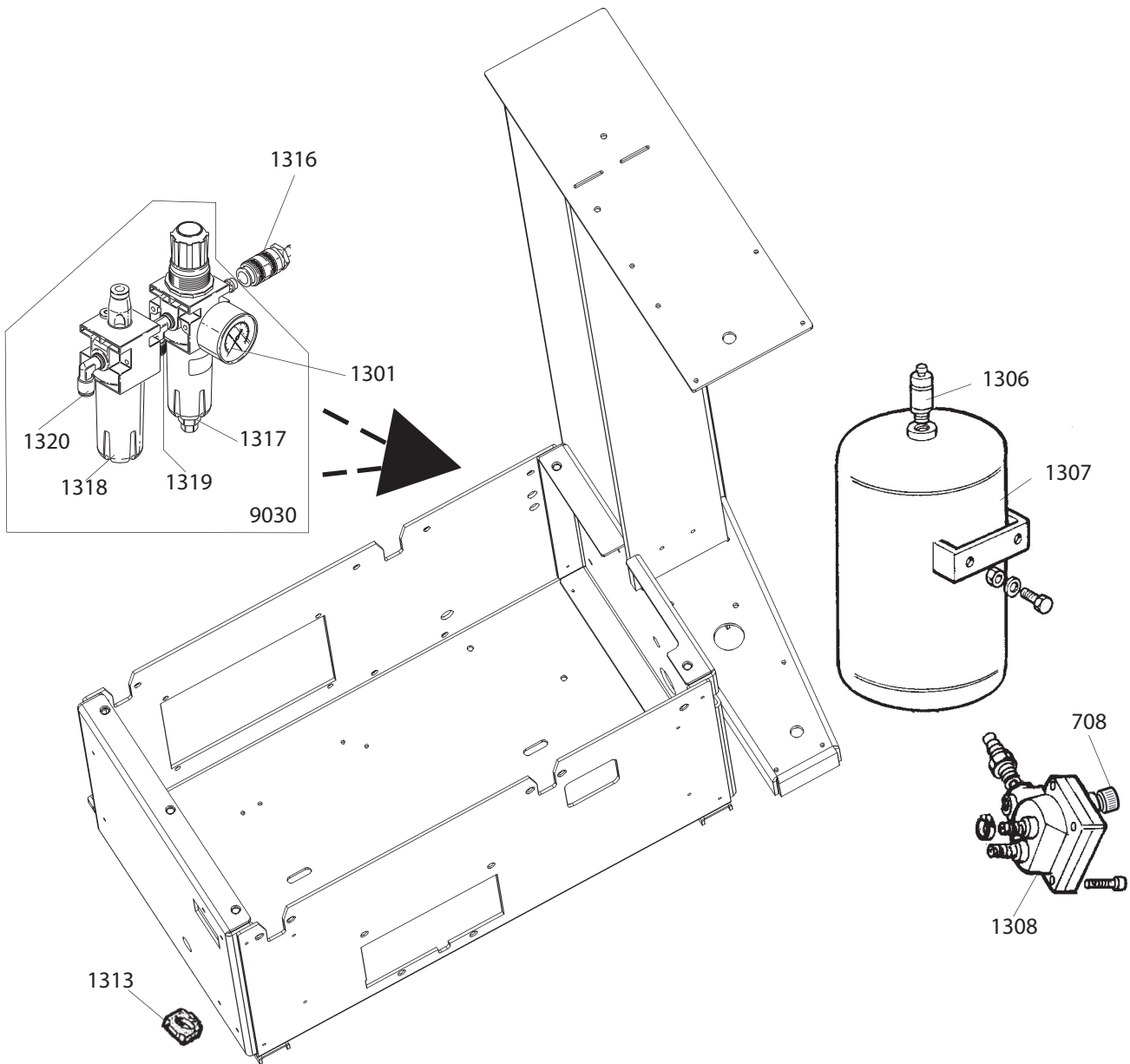
9048	9005-100683	MANIGLIA COMP.	HANDLE	HANDGRIFF	POIGNEE
2104	900461560	PROTEZIONE	SHIELD	ABDECKUNG	PROTECTION
2107	9003-01164	GUARNIZIONE	SEAL	DICHTUNG	JOINT
2108	9002-02896	SPINA	PLUG	STECKER	FICHE
2109	9002-01932	SPINA	PLUG	STECKER	FICHE
2110	900461614	ANELLO	RING	RING	ANNEAU
2111	900362464	MANOPOLA	KNOB	BALLENGRIFF	BOUTONE



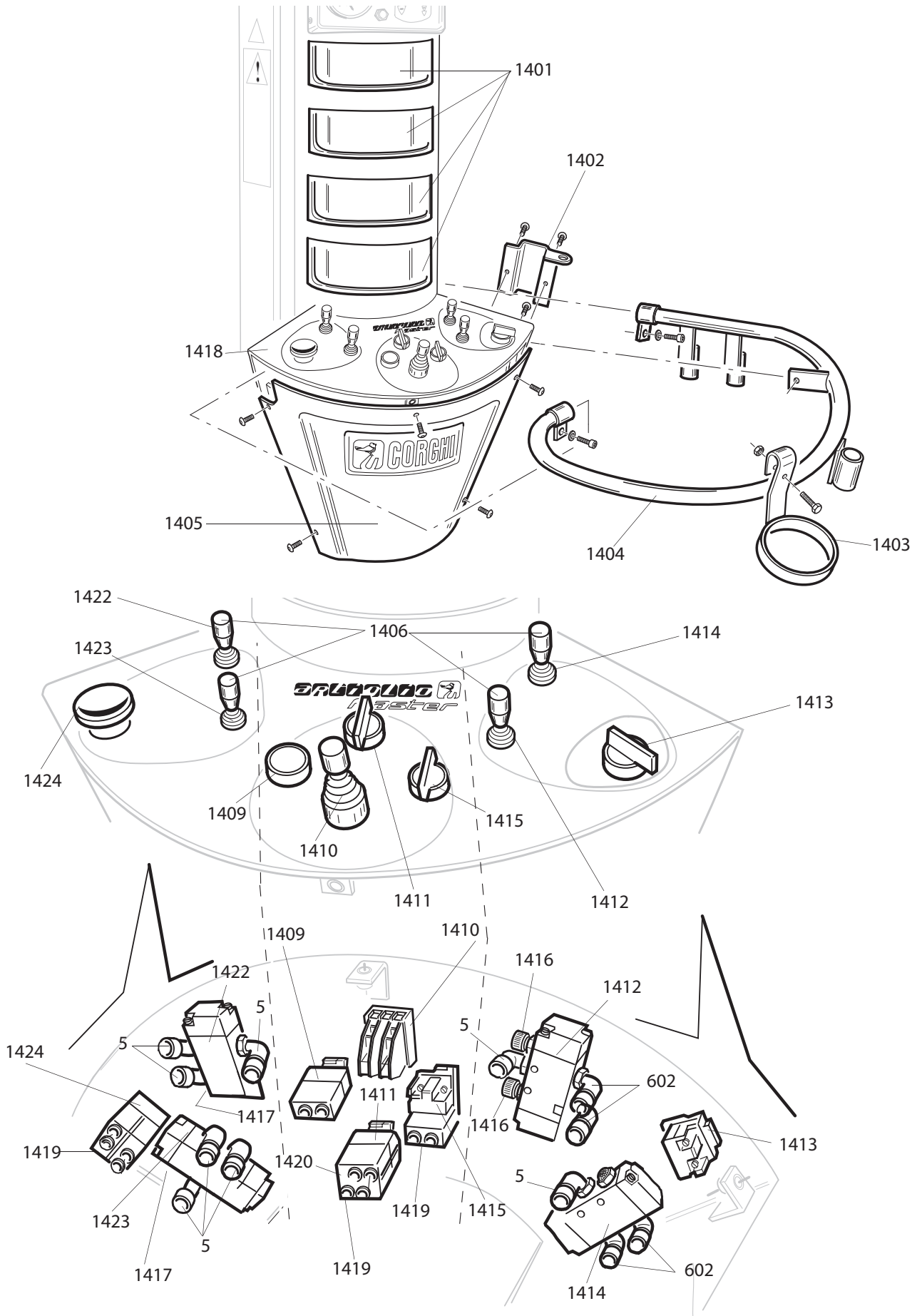
9017	900262390	TESTINA	HEAD	KOPF	TETE
1109	9003-01158	BOCCOLA	BUSHING	LAGER	DOUILLE
1112	900461489	INSERTO	INSERT	EINLAGE	INSERT
1114	900361403	UTENSILE	TOOL	WERKZEUG	OUTIL
9018	900261505	CILINDRO	CYLINDER	ZYLINDER	CYLINDRE
0008	9003-00220	RACCORDO	CONNECTOR	ANSCHLUSS	RACCORD
9019	900261613	UTENSILE	TOOL	WERKZEUG	OUTIL
0043	900438664	RACCORDO	CONNECTOR	ANSCHLUSS	RACCORD
1111	900361493	FLANGIA	FLANGE	FLANSCH	FLASQUE
1119	900361492	INGRANAGGIO	GEAR	ZAHNRADGETRIEBE	ENGRENAGE
1123	900361499	SUPPORTO	SUPPORT	LAGER	SUPPORT
0043	900438664	RACCORDO	CONNECTOR	ANSCHLUSS	RACCORD
1101	900361497	LAMIERA	METAL SHEET	BLECH	TOLE
1102	900361496	PERNO	PIN	ZAPFEN	PIVOT
1103	900261500	CILINDRO	CYLINDER	ZYLINDER	CYLINDRE
1107	900461510	MOLLA	SPRING	FEDER	RESSORT
1108	9003-01173	RASCHIAOLIO	SCRAPER RING	OELABSTREIFRING	RACLETTE
1110	900245486	KIT GUARN.(9018)	SEALS KIT(9018)	DICHTUNGSATZ(9018)	KIT JOINTS(9018)
1110	900456222	KIT GUARN.(1103)	SEALS KIT(1103)	DICHTUNGSATZ(1103)	KIT JOINTS(1103)
1110	900262525	KIT GUARN.(9019)	SEALS KIT(9019)	DICHTUNGSATZ(9019)	KIT JOINTS(9019)
1113	900361488	FULCRO	FULCRUM	DREHPUNKT	ENTABULRE
1115	900257431	RULLO	ROLLER	WALTZE	ROULEAU
1116	900601045	RONDELLA	WASHER	UNTERLEGSCHIEBE	RONDELLE
1117	9002-71526	DADO	NUT	MUTTER	ECROU
1118	9002-00298	VITE	SCREW	SCHRAUBE	VIS
1124	900361475	STELO	STEM	SCHAFT	TIGE
1125	900356012	PERNO	PIN	ZAPFEN	PIVOT
1126	9003-01408	VALVOLA	VALVE	VENTIL	VANNE
1127	900443367	RACCORDO	CONNECTOR	ANSCHLUSS	RACCORD
1128	900427290	RACCORDO	CONNECTOR	ANSCHLUSS	RACCORD



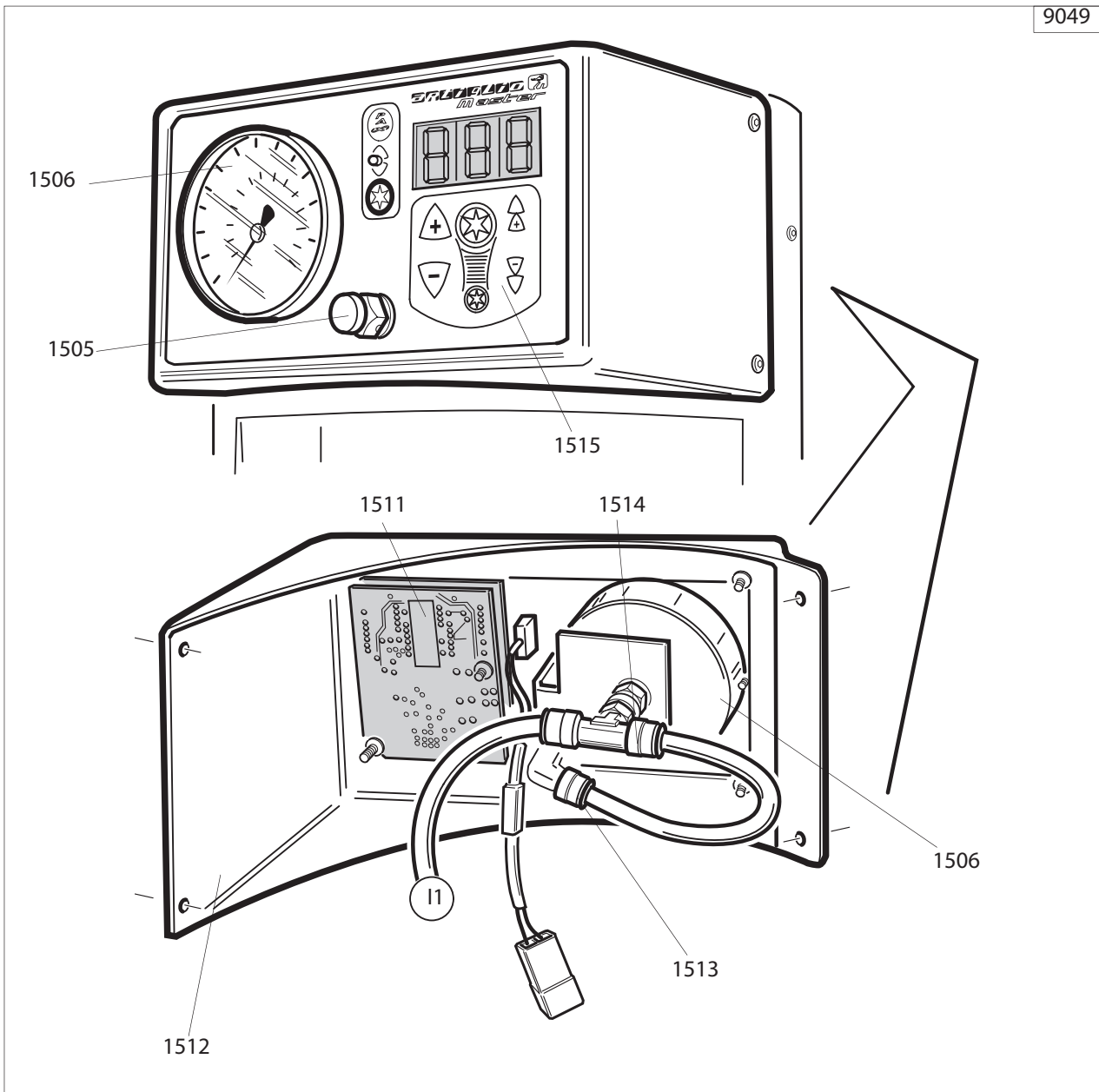
1201	900362122	TIRANTE			
1203	900362194	FORCELLA	FORK	GABEL	FOURCHE
1204	900441144	RACCORDO	CONNECTOR	ANSCHLUSS	RACCORD
1205	900462124	UGELLO	NOZZLE	DUESE	BUSE-TUYERE
1206	900462140	MOLLA	SPRING	FEDER	RESSORT
1207	9004-101815	ATTACCO T.I.	ADAPTER	HALTERUNG	GRIFFE
1208	900262134	ASTA T.I.	SHAFT	STANGE	BARRE
1209	9004-101825	TERMINALE	TERMINAL	ENDVERSCHLUSS	COSSE
1210	9005-101632	MANIGLIA	HANDLE	HANDGRIFF	POIGNEE



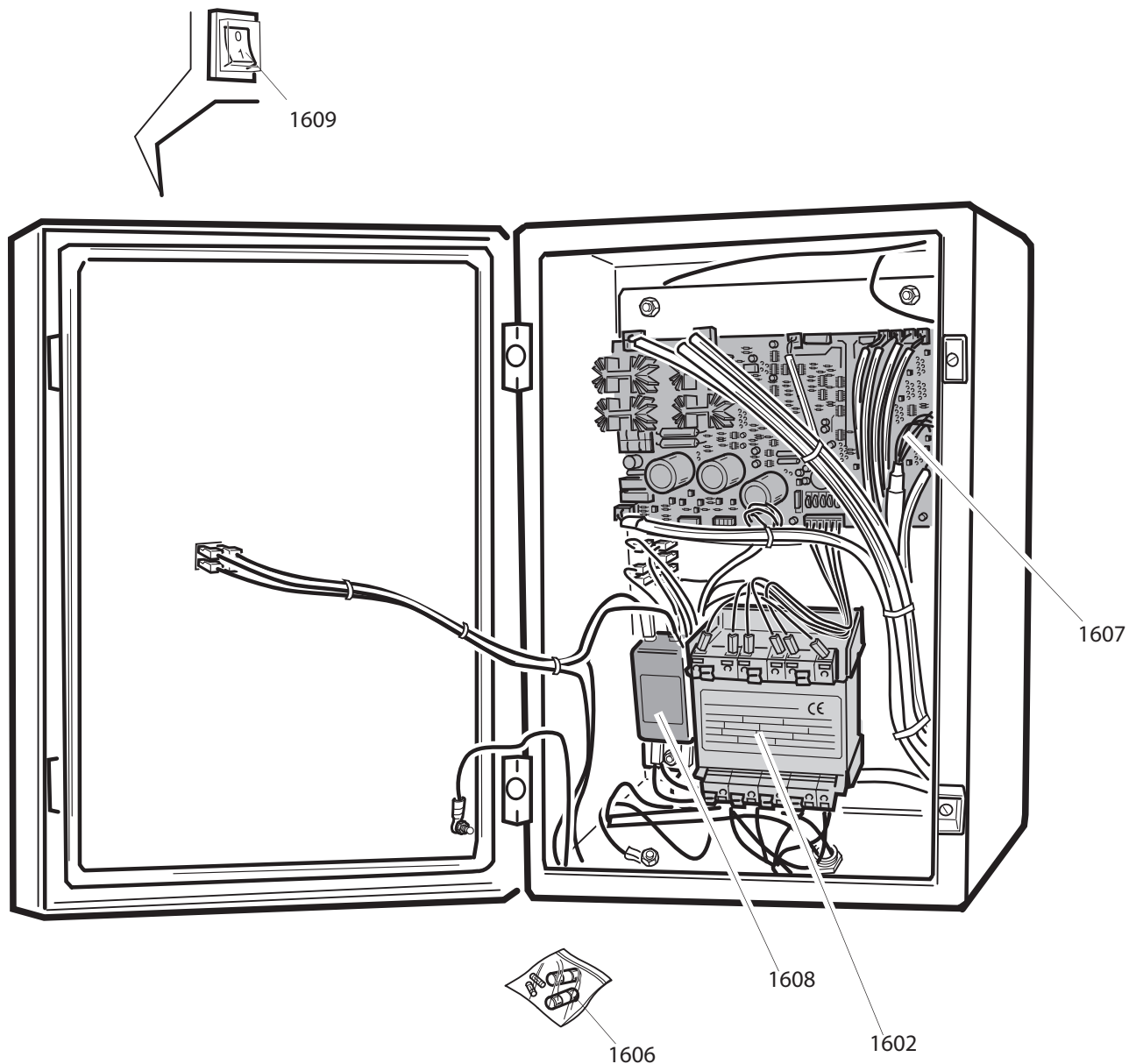
9030	900462929	FILTRO	FILTER	FILTER	FILTRE
1317	900457512	BICCHIERE	BOWL	GLAS	BOL
1318	900457511	BICCHIERE	BOWL	GLAS	BOL
1319	900433873	RACCORDO	CONNECTOR	ANSCHLUSS	RACCORD
1301	900434818	MANOMETRO	PRESSURE GAUGE	DRUCKMESSER	MANOMETRE
1306	900435077	VALVOLA	VALVE	VENTIL	VANNE
CE					
1307	900262215	SERBATOIO	TANK	TANK	RESERVOIR
ASME					
1307	9005-101625	SERBATOIO	TANK	TANK	RESERVOIR
1308	900243203	VALVOLA	VALVE	VENTIL	VANNE
1313	900422019	PIEDE	FOOT	FUSS	PIED
1316	900441899	RACCORDO	CONNECTOR	ANSCHLUSS	RACCORD
1320	900450406	RACCORDO	CONNECTOR	ANSCHLUSS	RACCORD
0708	9003-01175	VALVOLA	VALVE	VENTIL	VANNE



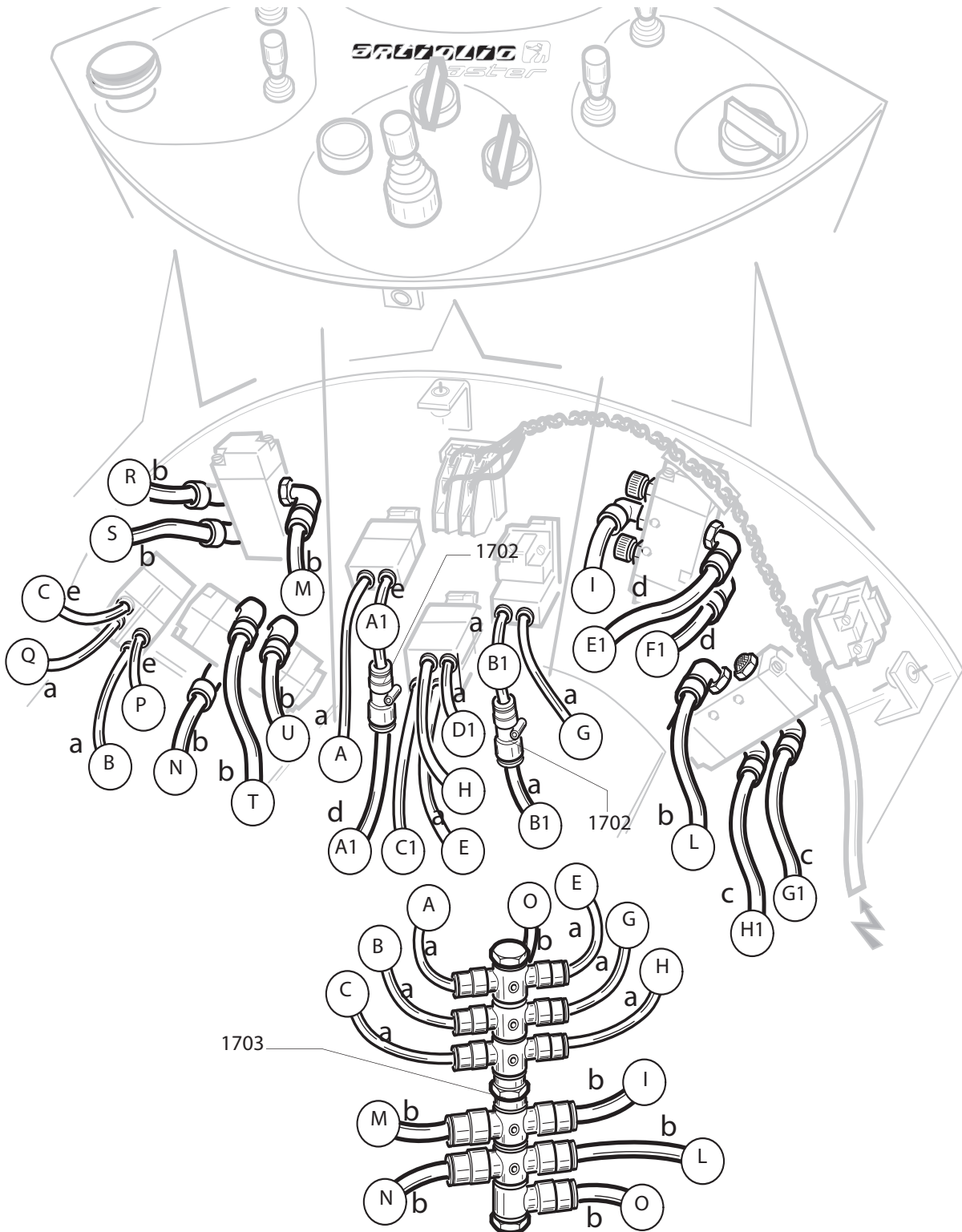
0005	900440870	RACCORDO	CONNECTOR	ANSCHLUSS	RACCORD
0311	900443367	RACCORDO	CONNECTOR	ANSCHLUSS	RACCORD
1401	900461850	VASCHETTA	CUP	KLEINE WANNE	PETIT BAC
1402	900361271	SUPPORTO	SUPPORT	LAGER	SUPPORT
1403	900261651	ATTACCO	ADAPTOR	HALTERUNG	ATTAQUE
1403	801261060	ATTACCO 5KG	ADAPTOR 5KG	HALTERUNG 5KG	ATTAQUE 5KG
1404	900261261	TUBO	PIPE	ROHR	TUYAU
1405	900461849	COFANO	HOOD	HAUBE	COFFRE
1406	900440585	MANOPOLA	KNOB	BALLENGRIFF	BOUTON
1409	900261836	INVERT.UTENSILE	REVERSER	RICHTUNGSWENDER	INVERSEUR
1410	900261838	INVERT.TESTINA	REVERSER	RICHTUNGSWENDER	INVERSEUR
1411	900261837	INVERT.ROTAZIONE	REVERSER	RICHTUNGSWENDER	INVERSEUR
1412	900261834	INVERT.SPINGITORE	REVERSER	RICHTUNGSWENDER	INVERSEUR
1413	900261839	INVERT.PAX	REVERSER	RICHTUNGSWENDER	INVERSEUR
1414	900261833	INVERT.SOLLEVAT.	REVERSER	RICHTUNGSWENDER	INVERSEUR
1415	900261835	INVERT.ARRETRAM.	REVERSER	RICHTUNGSWENDER	INVERSEUR
1416	900433675	REGOLATORE	REGULATOR	REGLER	REGULATEUR
1417	900415279	SILENZIATORE	SILENCER	SCHALLDAEMPFER	SILENCIEUX
1418	900461848	PANNELLO	PANEL	VERKLEIDUNG	PANNEAU
1419	900461841	VALVOLA 304	VALVE	VENTIL	VANNE
1420	900461844	VALVOLA 314	VALVE	VENTIL	VANNE
1422	9005-100089	COMAN. STAL.INF.	REVERSER	RICHTUNGSWENDER	INVERSEUR
1423	9005-100085	COMAN. STAL.SUP.	REVERSER	RICHTUNGSWENDER	INVERSEUR
1424	9005-100087	INVERT.PENETRAZ.	REVERSER	RICHTUNGSWENDER	INVERSEUR
0602	9003-00149	RACCORDO	CONNECTOR	ANSCHLUSS	RACCORD



9049	9005-100642	PANNELLO COMP.	PANEL	VERKLEIDUNG	PANNEAU
1513	900446939	RACCORDO	CONNECTOR	ANSCHLUSS	RACCORD
1505	900235463	VALVOLA	VALVE	VENTIL	VANNE
1506	900437831	MANOMETRO	PRESSURE GAUGE	DRUCKMESSER	MANOMETRE
1506	9003-00493	MANOMETRO	PRESSURE GAUGE	DRUCKMESSER	MANOMETRE
1511	9004-101923	SCHEDA DISPLAY	P.C.BOARD	ELEKTR.PLATINE	FICHE ELECTR.
1512	9004-101139	CARTER	CASING	GEHAUSE	CARTER
1514	900438665	RACCORDO	CONNECTOR	ANSCHLUSS	RACCORD
1515	9004-100148	PANNELLO	PANEL	VERKLEIDUNG	PANNEAU

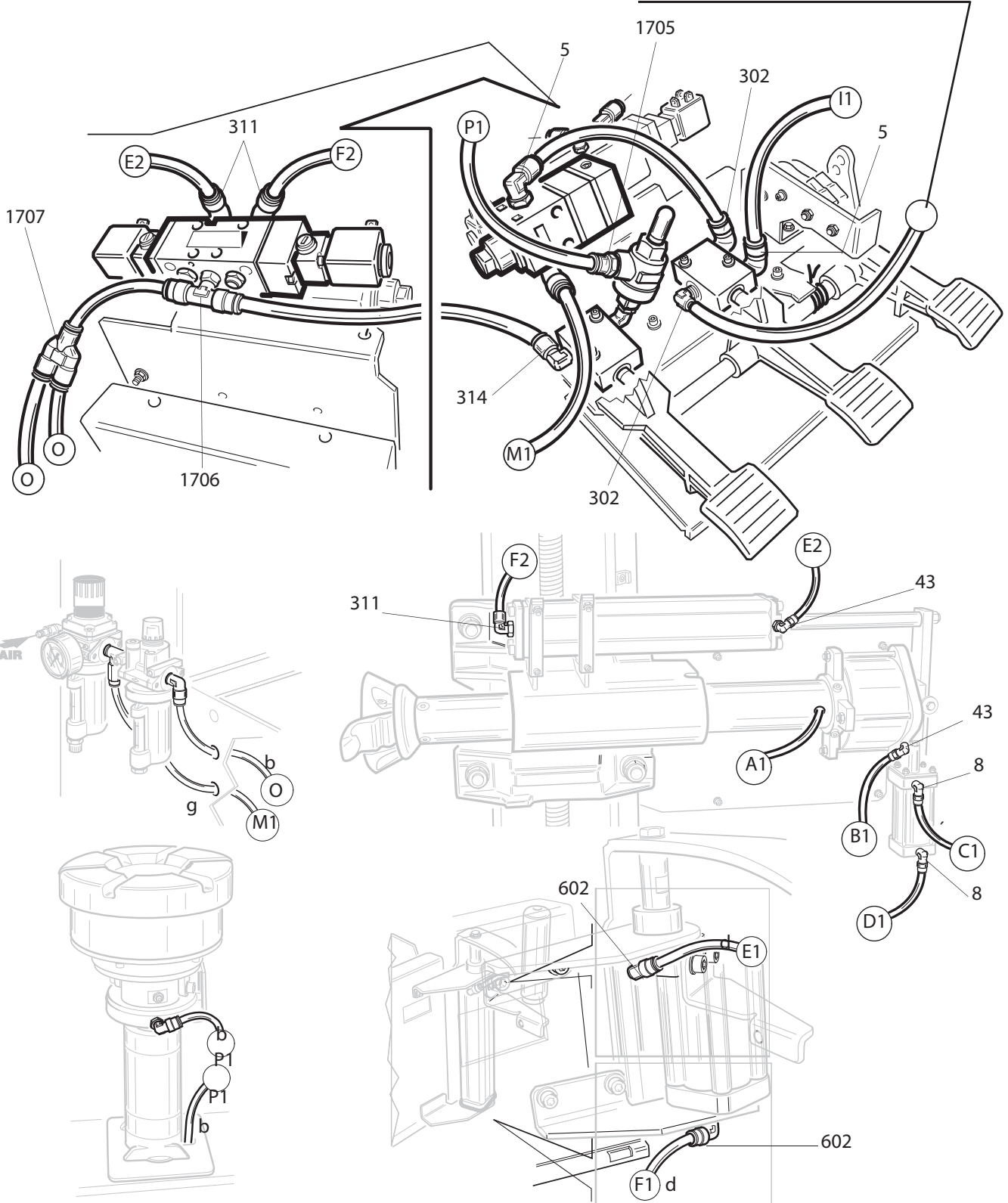


1602	900461829	TRASFORMATORE	TRANSFORMER	TRANSFORMATOR	TRANSFORMATEUR
1606	9005-100196	SET FUSIBILI	FUSE BAG	SICHERUNG	SET FUSIBLE
1607	9004-101919	SCHEDA ELETTRON.	P.C.BOARD	ELEKTR.PLATINE	FICHE ELECTR.
1608	9004-104377	FILTRO	FILTER	FILTER	FILTRE
1609	950433848	INTERRUTTORE	SWITCH	SCHALTER	INTERRUPTEUR

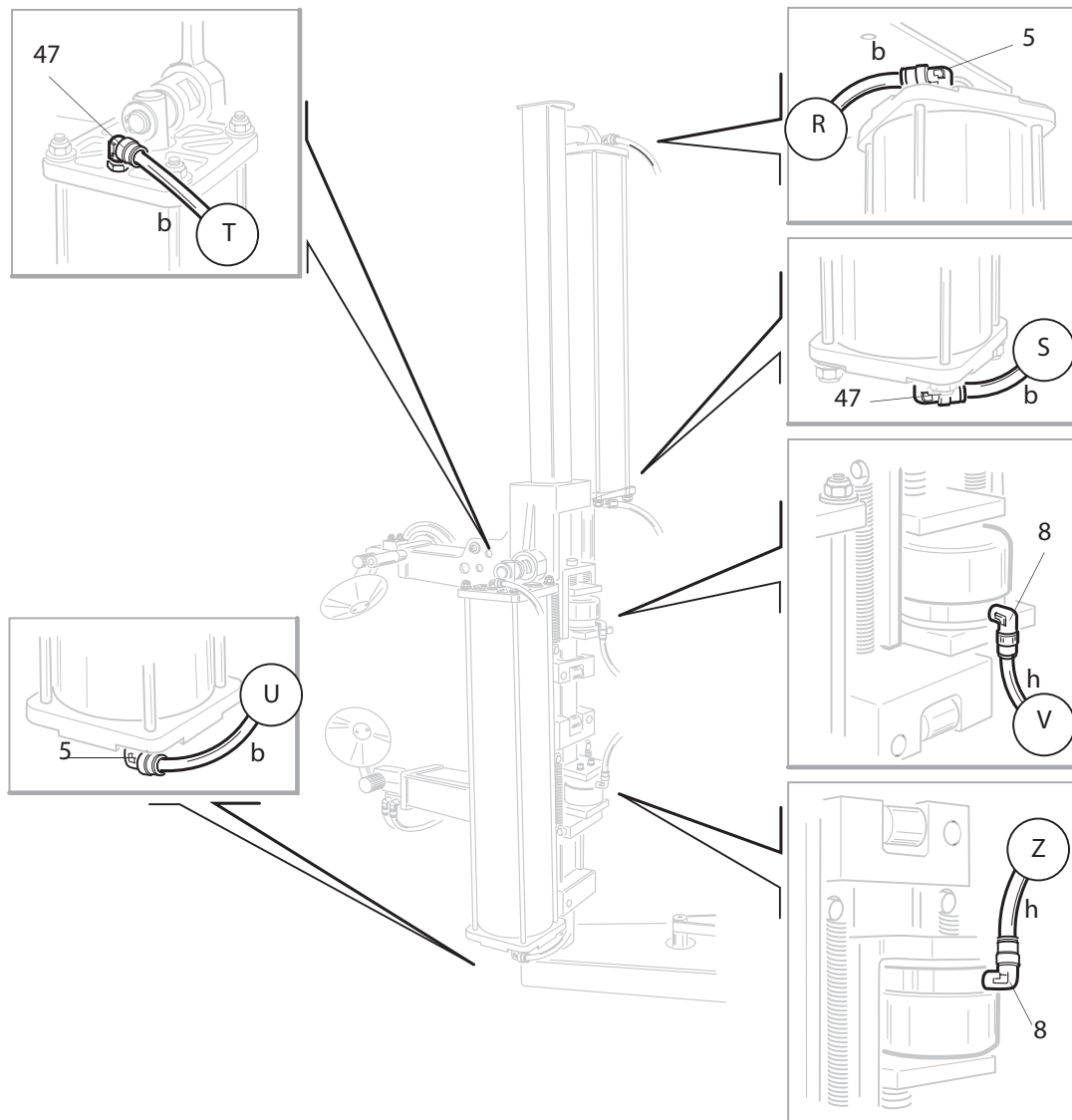


a	9001-04567	Tubo PA11 azzurro D.4x1	Pipe PA11 blue D.4x1	(max 2000mm)	
b	9001-04333	Tubo PA12 nero D.8x1	Pipe PA12 black D.8x1	(max 2800mm)	
c	900704036	Tubo PA11 giallo D.6x1	Tubo PA11 yellow D.6x1	(max 2100mm)	
d	9001-04283	Tubo PA12 nero D.6x1	Pipe PA12 black D.6x1	(max 2300mm)	
e	900704035	Tubo PA11 nero D.4x1	Pipe PA11 black D.4x1	(max 2700mm)	
f	9001-04002	Tubo PA11 trasparente D.6x1	Pipe PA11white D.6x1	(max 3300mm)	
g	9001-04001	Tubo PA11 rosso D.6x1	Pipe PA11 red D.6x1	(max 1500mm)	
h	9001-04551	Tubo PA11 verde D.4x1	Pipe PA11 green D.4x1	(max 800mm)	
i	900704003	Tubo PA11 blu D.6x1	Pipe PA11 blue D.6x1	(max 600mm)	
1702	9003-01174	RACCORDO	CONNECTOR	ANSCHLUSS	RACCORD
1703	9005-100088	DISTRIBUTORE	DISTRIBUTOR	VERTEILER	DISTRIBUTEUR

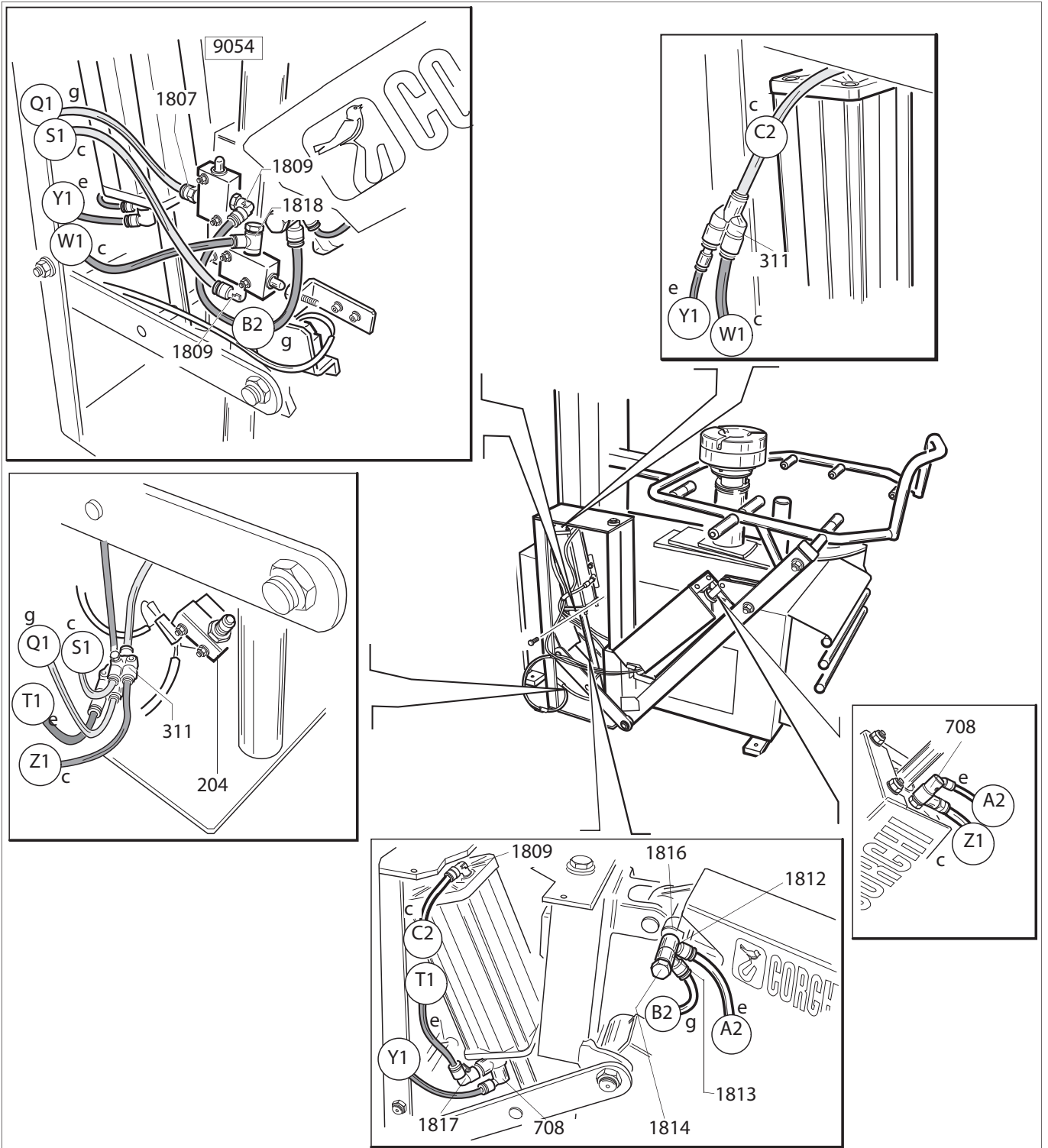
DOYFE
GONFIAGGIO RUOTA/INFLATION WHEEL



a	9001-04567	Tubo PA11 azzurro D.4x1		Pipe PA11 blue D.4x1	(max 2000mm)
b	9001-04333	Tubo PA12 nero D.8x1		Pipe PA12 black D.8x1	(max 2800mm)
c	900704036	Tubo PA11 giallo D.6x1		Tubo PA11 yellow D.6x1	(max 2100mm)
d	9001-04283	Tubo PA12 nero D.6x1		Pipe PA12 black D.6x1	(max 2300mm)
e	900704035	Tubo PA11 nero D.4x1		Pipe PA11 black D.4x1	(max 2700mm)
f	9001-04002	Tubo PA11 trasparente D.6x1		Pipe PA11 white D.6x1	(max 3300mm)
g	9001-04001	Tubo PA11 rosso D.6x1		Pipe PA11 red D.6x1	(max 1500mm)
h	9001-04551	Tubo PA11 verde D.4x1		Pipe PA11 green D.4x1	(max 800mm)
i	900704003	Tubo PA11 blu D.6x1		Pipe PA11 blue D.6x1	(max 600mm)
0005	900446939	RACCORDO	CONNECTOR	ANSCHLUSS	RACCORD
0008	9003-00220	RACCORDO	CONNECTOR	ANSCHLUSS	RACCORD
0302	900440868	RACCORDO	CONNECTOR	ANSCHLUSS	RACCORD
0311	900443367	RACCORDO	CONNECTOR	ANSCHLUSS	RACCORD
0314	900441609	RACCORDO	CONNECTOR	ANSCHLUSS	RACCORD
0043	900438664	RACCORDO	CONNECTOR	ANSCHLUSS	RACCORD
0602	9003-00149	RACCORDO	CONNECTOR	ANSCHLUSS	RACCORD
1704	9003-00021	RACCORDO	CONNECTOR	ANSCHLUSS	RACCORD
1705	900440887	RACCORDO	CONNECTOR	ANSCHLUSS	RACCORD
1706	900440871	RACCORDO	CONNECTOR	ANSCHLUSS	RACCORD
1707	9003-00048	RACCORDO	CONNECTOR	ANSCHLUSS	RACCORD



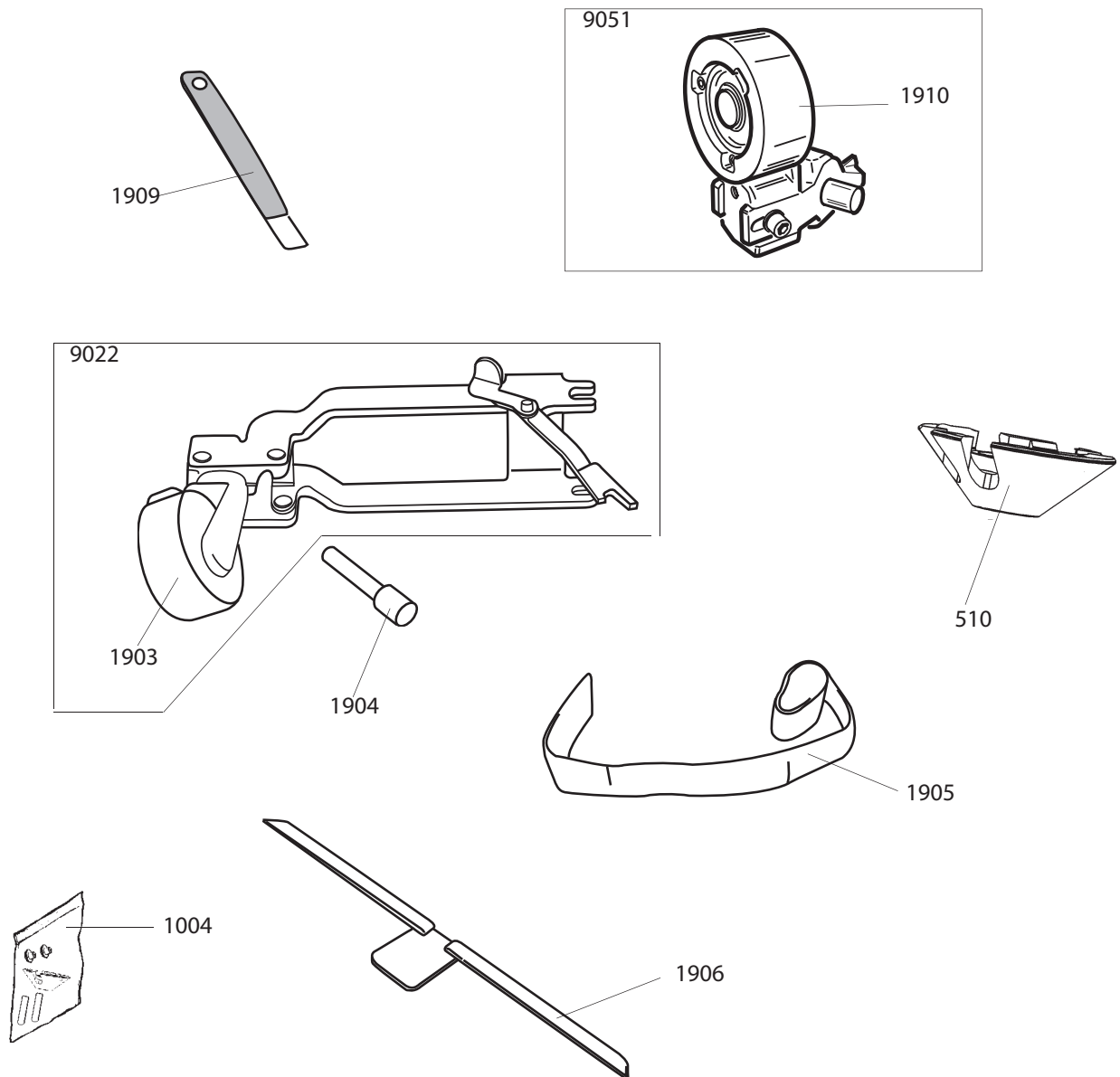
a	9001-04567	Tubo PA11 azzurro D.4x1	Pipe PA11 blue D.4x1	(max 2000mm)	
b	9001-04333	Tubo PA12 nero D.8x1	Pipe PA12 black D.8x1	(max 2800mm)	
c	900704036	Tubo PA11 giallo D.6x1	Tubo PA11 yellow D.6x1	(max 2100mm)	
d	9001-04283	Tubo PA12 nero D.6x1	Pipe PA12 black D.6x1	(max 2300mm)	
e	900704035	Tubo PA11 nero D.4x1	Pipe PA11 black D.4x1	(max 2700mm)	
f	9001-04002	Tubo PA11 trasparente D.6x1	Pipe PA11white D.6x1	(max 3300mm)	
g	9001-04001	Tubo PA11 rosso D.6x1	Pipe PA11 red D.6x1	(max 1500mm)	
h	9001-04551	Tubo PA11 verde D.4x1	Pipe PA11 green D.4x1	(max 800mm)	
i	900704003	Tubo PA11 blu D.6x1	Pipe PA11 blue D.6x1	(max 600mm)	
0047	900440870	RACCORDO	CONNECTOR	ANSCHLUSS	RACCORD
0005	900446939	RACCORDO	CONNECTOR	ANSCHLUSS	RACCORD
0008	9003-00220	RACCORDO	CONNECTOR	ANSCHLUSS	RACCORD



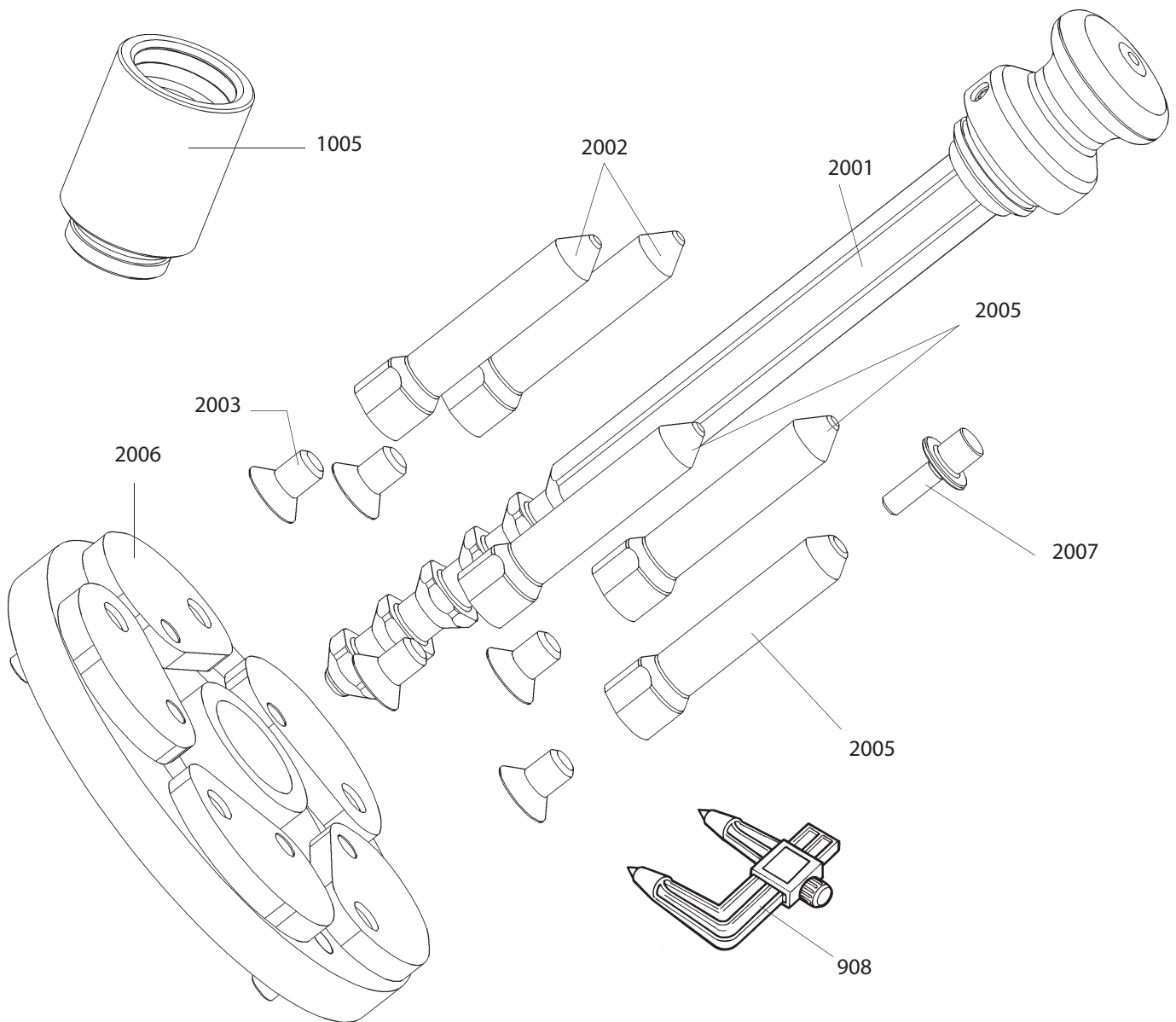
a	9001-04567	Tubo PA11 azzurro D.4x1	Pipe PA11 blue D.4x1	(max 2000mm)
b	9001-04333	Tubo PA12 nero D.8x1	Pipe PA12 black D.8x1	(max 2800mm)
c	900704036	Tubo PA11 giallo D.6x1	Tubo PA11 yellow D.6x1	(max 2100mm)
d	9001-04283	Tubo PA12 nero D.6x1	Pipe PA12 black D.6x1	(max 2300mm)
e	900704035	Tubo PA11 nero D.4x1	Pipe PA11 black D.4x1	(max 2700mm)
f	9001-04002	Tubo PA11 trasparente D.6x1	Pipe PA11 white D.6x1	(max 3300mm)
g	9001-04001	Tubo PA11 rosso D.6x1	Pipe PA11 red D.6x1	(max 1500mm)
h	9001-04551	Tubo PA11 verde D.4x1	Pipe PA11 green D.4x1	(max 800mm)
i	900704003	Tubo PA11 blu D.6x1	Pipe PA11 blue D.6x1	(max 600mm)

9054	9005-101522	VALVOLA	VALVE	VENTIL	VANNE
1818	9004-104740	STROZZATORE	THROTTLER	DROSSELKLAPPE	ETRANGLEUR
1807	900441568	RACCORDO	CONNECTOR	ANSCHLUSS	RACCORD
0311	9003-01866	RACCORDO	CONNECTOR	ANSCHLUSS	RACCORD

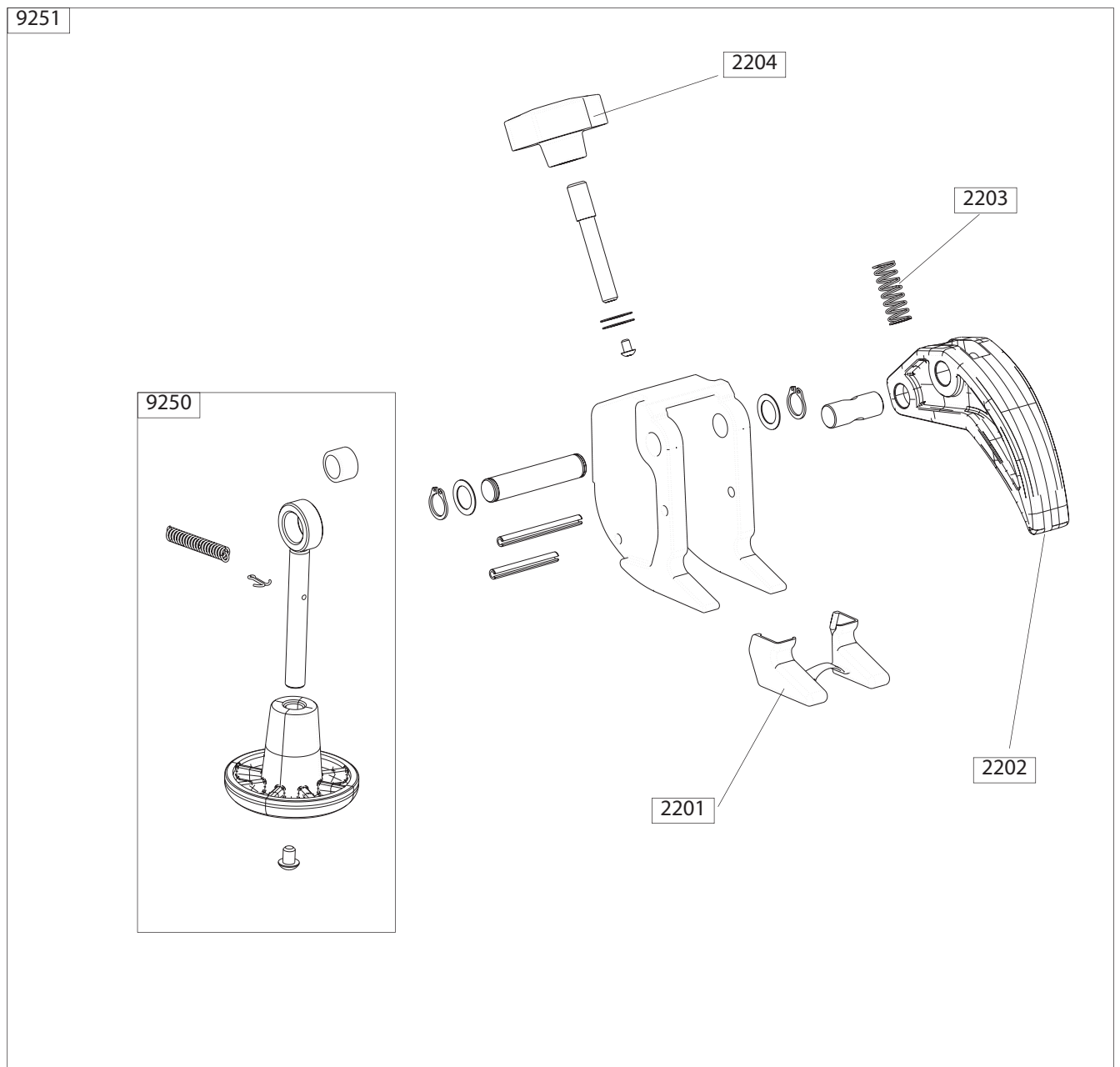
0708	9003-01175	VALVOLA	VALVE	VENTIL	VANNE
0204	900461380	MICROINTERRUPTORE	MICROSWITCH	MIKROSCHALTER	MICROINTERRUPTEUR
1809	900443367	RACCORDO	CONNECTOR	ANSCHLUSS	RACCORD
1812	9003-00514	RACCORDO	CONNECTOR	ANSCHLUSS	RACCORD
1813	9003-00515	RACCORDO	CONNECTOR	ANSCHLUSS	RACCORD
1814	9003-00075	RACCORDO	CONNECTOR	ANSCHLUSS	RACCORD
1816	900419338	RONDELLA	WASHER	UNTERLEGSCHIEBE	RONDELLE
1817	900444511	RACCORDO	CONNECTOR	ANSCHLUSS	RACCORD



9051	9005-101216	RULLO	ROLLER	WALZE	ROULEAU
1910	9004-103525	RULLO	ROLLER	WALZE	ROULEAU
9022	900261991	SUPPORTO	SUPPORT	LAGER	SUPPORT
1903	900360218	RULLO	ROLLER	WALZE	ROULEAU
1904	900362007	PERNO	PIN	ZAPFEN	PIVOT
1905	900461826	CINGHIA	BELT	RIEMEN	COURROIE
1906	801260235	KIT REGLETTE	REGLETTE KIT	REGLETTE	REGLETTE
1004	900262389	KIT PROT.PLASTICA	PLASTIC PROT.KIT	VERWANDLUNGSATZ	KIT PROTEC.PLASTIQUE
0510	900461668	PROTEZIONE	SHIELD	ABDECKLUNG	PROTECTION
1909	9004-102462	LEVA PAX	PAX LEVER	HEBEL	LEVIER



0908	900441286	RILEVATORE	SIGNAL TRACER	AUFNEHMER	MESEUREUR
1005	900263436	PROLUNGA	EXTENSION CORD	VERLAENGERUNG	RALLONGE
2001	900262468	MANIGLIA	HANDLE	HANDGRIFF	POIGNEE
2002	900363416	COLONNETTA	STUD	SCHRAUBENBOLZEN	COLONNETTE
2003	9002-71769	VITE	SCREW	SCHRAUBE	VIS
2005	900363417	COLONNETTA	STUD	SCHRAUBENBOLZEN	COLONNETTE
2006	9005-100009	SET FLANGE	FLANGE SET	FLANSCH	FLASQUE
2007	9004-102377	GHIERA	NUT	NUTMUTTER	BAGUE



9251	8-11100120	MORSETTO	TERMINAL	KLEMME	BORNE
9250	9005-101642	KIT TRASFORM.	TRASFORM.KIT	VERWANDLUNGS.	KIT TRASFORM.
2201	9004-104804	PROTEZIONE	SHIELD	ABDECKUNG	PROTECTION
2202	9004-101051	CAVALLOTTO	U-BOLT	BUEGELBOLZEN	CRAMPILLON
2203	9003-01760	MOLLA	SPRING	FEDER	RESSORT
2204	9003-01715	VOLANTINO	HANDWHEEL	HANDRAD	PETIT VOLANT

A large rectangular area containing 20 horizontal dotted lines, intended for writing or drawing.

A series of horizontal dotted lines spanning the width of the page, intended for handwritten notes or a list.

A large rectangular area containing 20 horizontal dotted lines, spaced evenly down the page, intended for handwritten notes or a list.

A series of horizontal dotted lines spanning the width of the page, providing a template for writing or drawing.

Il disegno è realizzato con tutti i particolari ma solo quelli codificati sono forniti come ricambi. L'Azienda si riserva la facoltà di apportare modifiche senza preavviso.



Via per Carpi, n°9 - 42015 Correggio (RE) ITALY
Tel. ++39 0522 639111 - Fax ++39 0522 639150
www.corgi.com - info@corgi.com

The drawing shows all parts but only the coded parts are supplied as spares. The Company reserves the right to make modifications without prior notice.

COMIM - Cod. 4-104538A - Rif. 901000461.