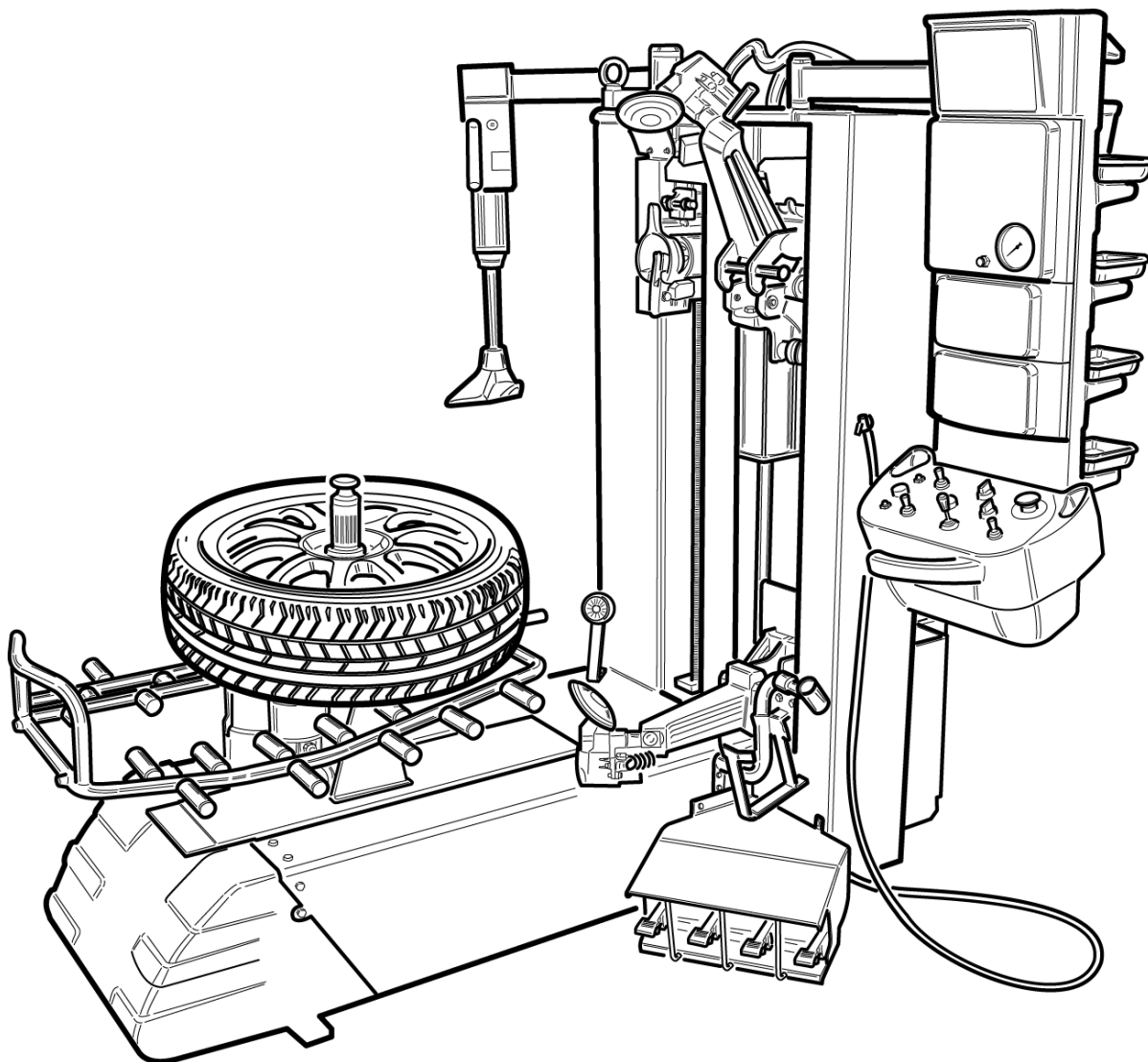


# Artiglio

# MASTER CODE

Pezzi di ricambio / Spare parts list



Code: 4-108540A

Production date: 05 / 2012





I

Sul presente documento sono stati indicati in grassetto i codici che sono variati rispetto a quelli riportati nella precedente versione del 02/12

En

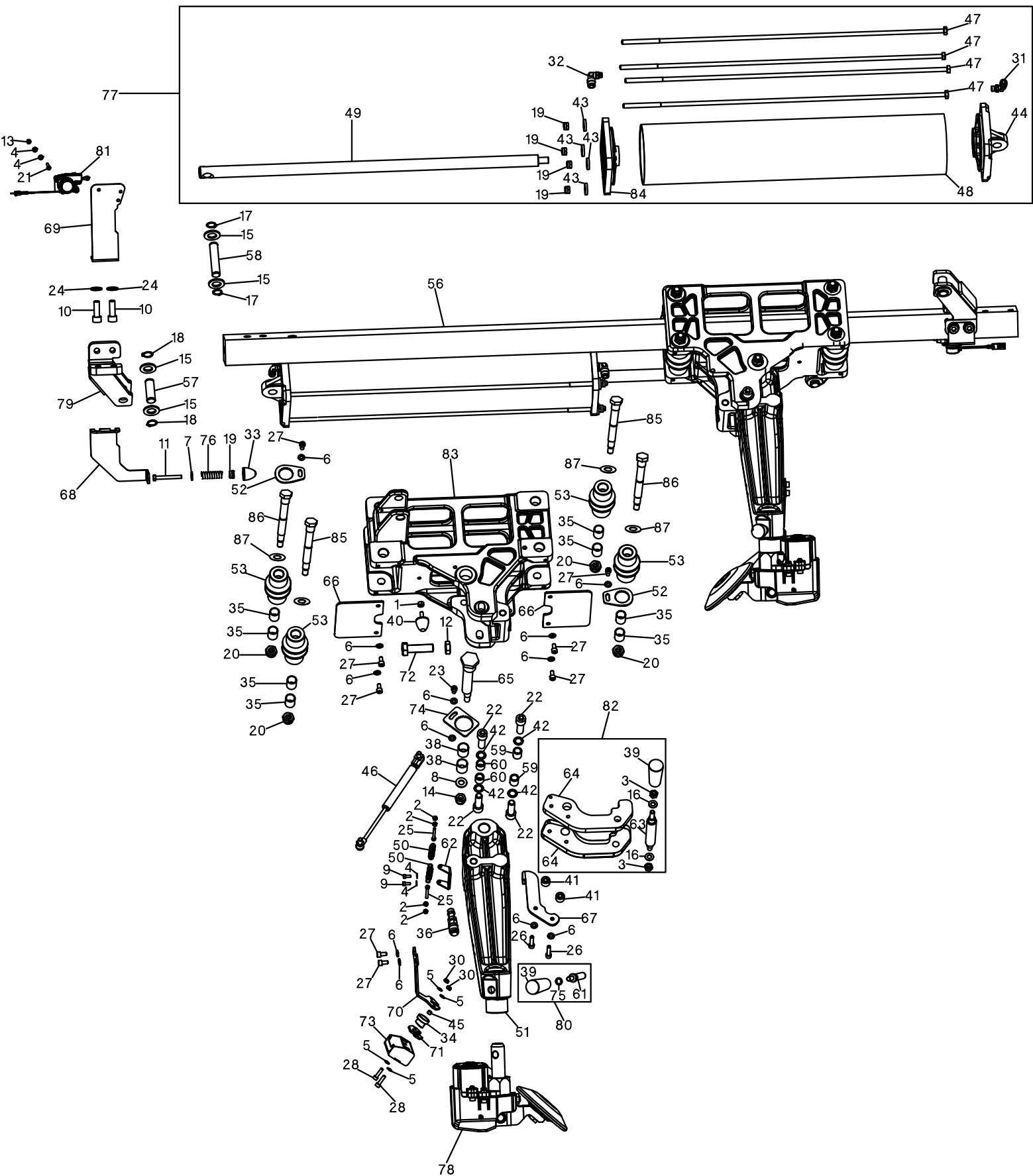
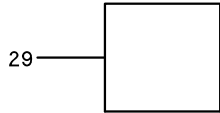
Codes that have changed from those given in the previous version dated 02/12 are indicated in bold type in this document

De

Die gegenüber der Vorgängerversion vom 02/12 geänderten Codes sind im vorliegenden Dokument fettgedruckt angegeben

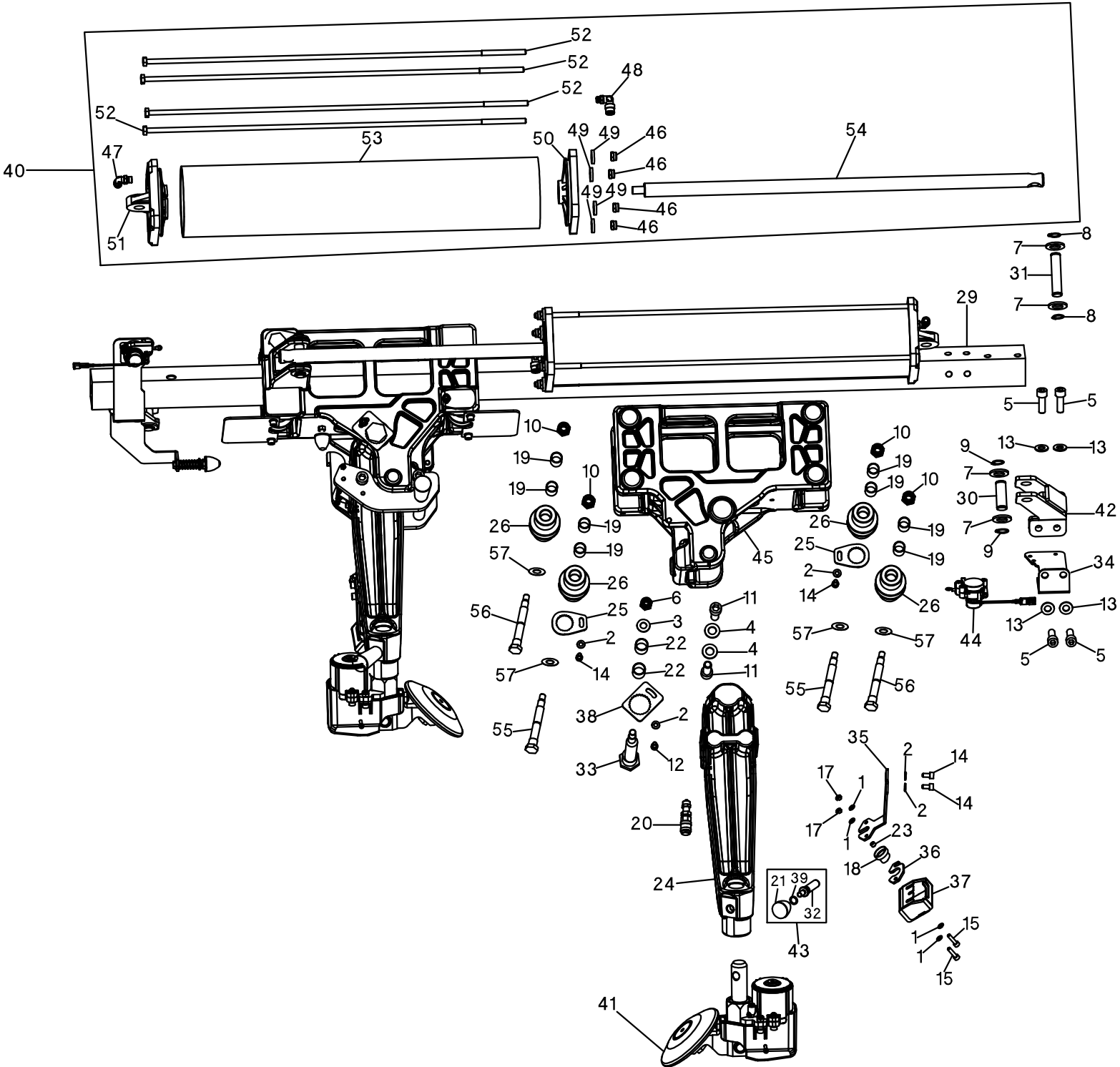
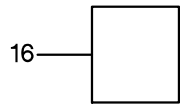
Fr

Ce document reporte en gras les codes qui ont été modifiés par rapport à ceux reportés dans la version précédente du mois de 02/12



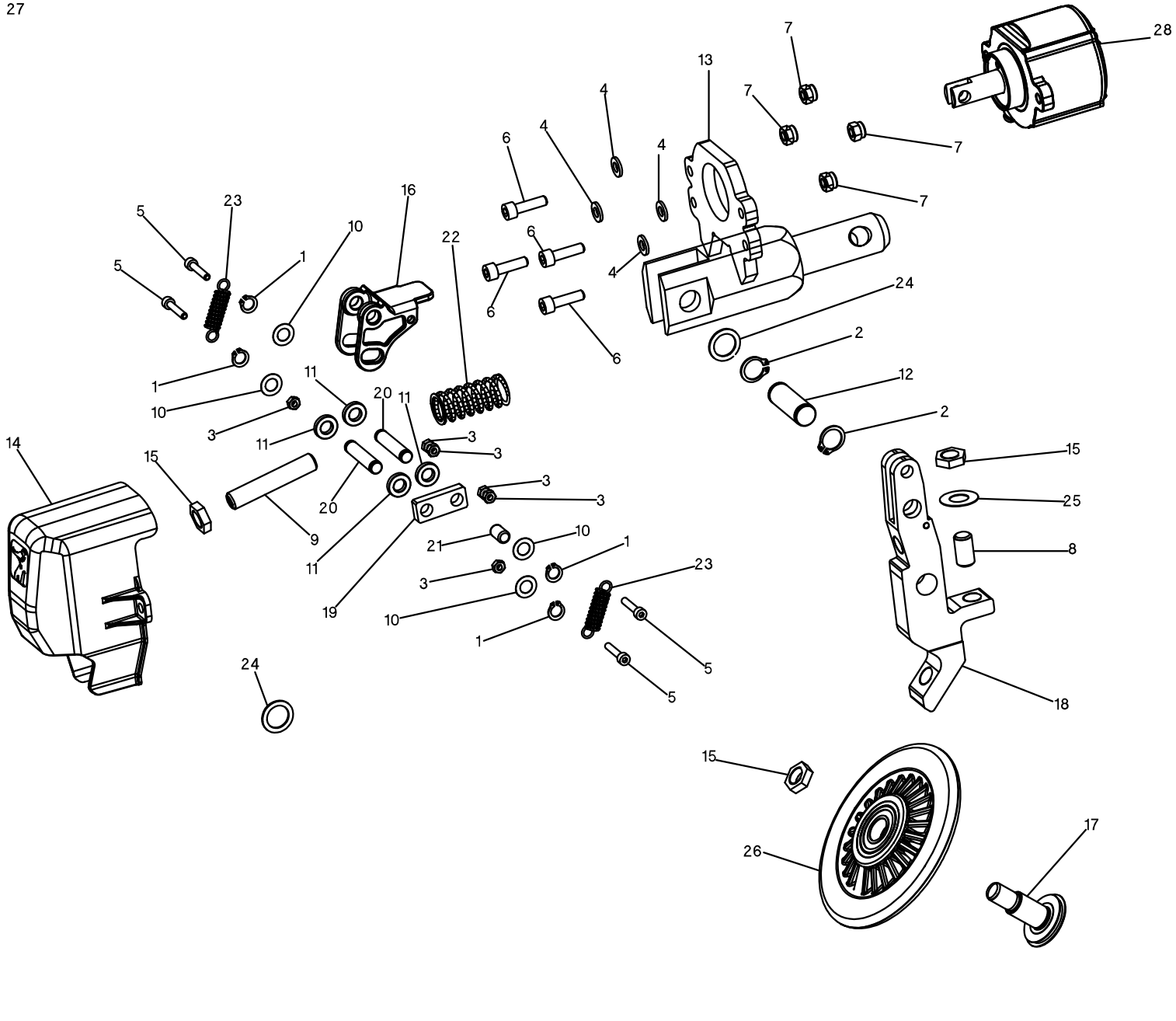
ref.	cod.	descrizione	description
1	2-00111	DADO ES.A 5587 6S BR M 6	AUTO LOCKING HEXAGON NUT M 6
2	2-00143	DADO ES.N 5588 6S ZI M 4	NORMAL HEXAGON NUT M 4
3	2-00151	DADO ES.N 5588 6S BR M 8	NORMAL HEXAGON NUT M 8
4	2-00209	RONDELLA 6592-TE-4-100HV ZI	WASHER D.4
5	2-00210	RONDELLA 6592-TE- 5-100HV ZI	WASHER D.5
6	2-00211	RONDELLA 6592-TE- 6-100HV ZI	WASHER D.6
7	2-00212	RONDELLA 6592-TE-8-100HV ZI	WASHER D.8
8	2-00213	RONDELLA 6592-TE-10-100HV ZI	WASHER D.10
9	2-00289	VTCEI 4762 8.8 BR M 4X 10	HEXAGON SOCKET HEAD SCREW M 4X 10
10	2-00330	VTCEI 4762 8.8 BR M10X 30	HEXAGON SOCKET HEAD SCREW M 10X 30
11	2-00717	VTE 5737 1/2F 8.8 BR M 6X 60	HEXAGON HEAD SCREW 1/2F M 6X 60
12	2-00941	DADO ES.B 5589 6S BR M14	LOW HEXAGON NUT M14
13	2-01018	DADO ES.N A.7473 6S ZI M 4	NORMAL AUTO LOCKING HEXAGON NUT M 4
14	2-01019	DADO ES.N A.7473 6S ZI M10	NORMAL AUTO LOCKING HEXAGON NUT M 10
15	2-01045	RONDELLA 6592-TE-16-100HV ZI	WASHER D.16
16	2-01114	RONDELLA 6592-TE- 8-100HV BR	WASHER D.8
17	2-01122	ANELLO EL. 7435 D 15	SEEGER D 15
18	2-01130	ANELLO EL. 7435 D 16	SEEGER D 16
19	2-01137	DADO ES.B A.7474 6S ZI M 8	LOW AUTO LOCKING HEXAGON NUT M 8
20	2-01276	DADO ES.B A.7474 6S ZI M12	LOW AUTO LOCKING HEXAGON NUT M 12
21	2-01717	VTCEI 4762 8.8 BR1/2F M 4X 35	HEXAGON SOCKET HEAD SCREW 1/2F M 4X 35
22	2-01806	VTCEI 4762 12.9 BR M12X 35	HEXAGON SOCKET HEAD SCREW M12X 35
23	2-01989	VTCEI 4762 8.8 ZI M 6X 10	HEXAGON SOCKET HEAD SCREW M6 X10
24	2-02494	RONDELLA 6592-TE-10-100HV BR	WASHER D.10
25	2-02588	VTCEI 4762 8.8 BR M 4X 35	HEXAGON SOCKET HEAD SCREW M 4X 35
26	2-02808	VTCEI 4762 8.8 ZI M 6X 25	HEXAGON SOCKET HEAD SCREW M 6X 25
27	2-02817	VTCEI 4762 8.8 ZI M 6X 12	HEXAGON SOCKET HEAD SCREW M 6X 12
28	2-03003	VTCEI 4762 8.8 ZI M 5X 20	HEXAGON SOCKET HEAD SCREW M5X 20
29	245067	KIT GUARN.CILINDRO D.110	CYLINDER SEALS KIT D.110
30	2-71524	DADO ES.B A.7474 6S ZI M 5	LOW AUTO LOCKING HEXAGON NUT M 5
31	3-00055	RACCPN-LO-G1/4G-T8	FITTING-LO-G1/4G-T8
32	3-00059	RACCPN-LO-G1/8C-T8	FITTING-LO-G1/8C-T8
33	3-00439	ANTIVIBRANTE	VIBRATION
<b>34</b>	<b>5-104664</b>	<b>UGELLO LUBRIFICATORE CON TUBO</b>	<b>LUBRIFICATOR WITH HOSE</b>
35	3-00630	BOCC.AUT.RAD.DU16X20	BUSHING DU16X20
36	3-01645	RACCPN-D-GR5F-T6/4	FITTING-D-GR5F-T6/4
38	3-02441	BOCC.AUT.RAD.DU18X20	BUSHING DU18X20
39	3-03027	IMPUGNATURA THENAR MF6/65 M8	HANDLE M8
40	3-03028	ANTIVIBRANTE	VIBRATION
41	305022	DIST.FORATO D.16X6,5X12	HOLE SPACER D.16X6,5X12
42	315274	RONDELLA ACC.D. 12X18X0,5	WASHER D.12X18X0,5
43	339208	RONDELLA D 8,5X22X4	WASHER D.8,5X22X4
44	363627	FLANGIA POST.D.110	REAR FLANGE D.110
45	4-100473	DIST.FORATO D. 7X5X5	HOLE SPACER D.7X5X5
46	4-103785	MOLLA GAS 4928DD/400N/80-235,5	GAS SPRING
47	4-105654	TIRANTE M8X22 L=62CM	ROD M8X22 L.62CM
48	4-105655	CAMICIA CIL. PN. 110X582	CYLINDER LINER D.110X582
49	4-105656	STELO OCCH. NO CODOLO 22X652	ROD 22X652
50	4-106238	MOLLA A TRAZIONE B/0064	TORSION SPRING
51	4-107928	BRACCIO STALLON.	ARM BEAD
52	4-108165	LAMIERA FERMO ECCENTRICO	ECCENTRIC STILL PLATE

ref.	cod.	descrizione	description
53	4-108166	RULLINO STALLONATORE	BEAD ROLLER
56	4-108410	BARRA QUADRA	BAR SQUARE
57	4-108411	PERNO PER ANELLI ELASTICI Ø16X46	PIN FOR SEEGER D.16X46
58	4-108412	PERNO PER ANELLI ELASTICI Ø15X68	PIN FOR SEEGER D.15X68
59	4-108414	DISTANZIALE BLOCCAGGIO GANCIO	SPACER LOCKING HOOK
60	4-108415	DISTANZIALE FULCRO GANCIO	HOOK SPACER HUB
61	4-108422	PERNO BLOCCAGGIO PENETRAZIONE	locking pins PENETRATION
62	4-108417	LAMIERINO AGGANCIO MOLLE	SHEET SPRING HOOK
63	4-108419	PERNO DI SGANCIO MANUALE	PIN RELEASE MANUAL
64	4-108421	GANCIO STALLONATORE	HOOK BEAD
65	4-111070	PERNO ECC.BRACCIO STALL.	ARM ECCENTRIC STUD BEAD
66	4-111071	GOMMA PROTEZIONE STALLONATORE	BEAD RUBBER PROTECTION
67	4-111072	LAMIERA MOBILE SGANCIO STALL.	MOBILE METAL BEAD RELEASE
68	4-111073	LAMIERA FISSA SGANCIO STALL.	FIXED METAL BEAD RELEASE
69	4-111248	LAMIERA POTENZIOMETRO A FILO	PLATE FOR POTENTIOMETER
70	4-111669	LAMIERA SUPP. LUBRIFICATORE	SUPPORT PLATE LUBRIFICATOR
71	4-111670	LAMIERA FISS.UGELLO	MOUNTING PLATE TIP
72	4-113429	VTE M14X50 TESTA LISCIA	HEXAGON HEAD SCREW M14X50
73	4-113653	COVER LUBRIF.SUPERIORE	UPPER COVER LUBRIFICATOR
74	4-114868	LAMIERA FERMO ECENTRICO	ECCENTRIC LATCH PLATE
75	424617	GUARN.OR D 9,25X1,78 2037	O-RING D.9,25X1,78 2037
76	462646	MOLLA STRANGOLO	SPRING STRANGULATION
77	5-101935	CILINDRO STALL. D.110 C=540	BEAD CYLINDER D.110 C=540
78	5-102002	DISCO STALLONATORE	BEAD DISK
79	5-102510	STAFFA SUPP.CILINDRO STALL.	SUPPORT BRACKETCYLINDER BEAD
80	5-104435	PERNO BLOCC.PENETRAZIONE INFERIORE	LOWER LOCKING PIN PENETRATION
81	5-103901	POTENZIOMETRO A FILO	POTENTIOMETER WIRE
82	5-104436	GANCIO DOPPIO CPL.	COMPLETE DOUBLE HOOK
83	5-104437	SCORREVOLE STALLONATORE	SLIDING BEAD
84	342900	FLANGIA ANT. D110 (FINO A 12/2011)	FRONT FLANGE D.110 (UP TO 12/2011)
84	5-104739	FLANGIA ANT. D110 (DA 01/2012)	FRONT FLANGE D.110 (FROM 01/12)
85	4-115374	PERNO FISSO STALLONATORE	PIN FIXED BEAD
86	4-115373	PERNO ECCENTRICO STALLONATORE	ECCENTRIC PIN BEAD
87	3010435	RASAMENTO D.16,5X35X0,5	WASHER D.16,5X35X0,5

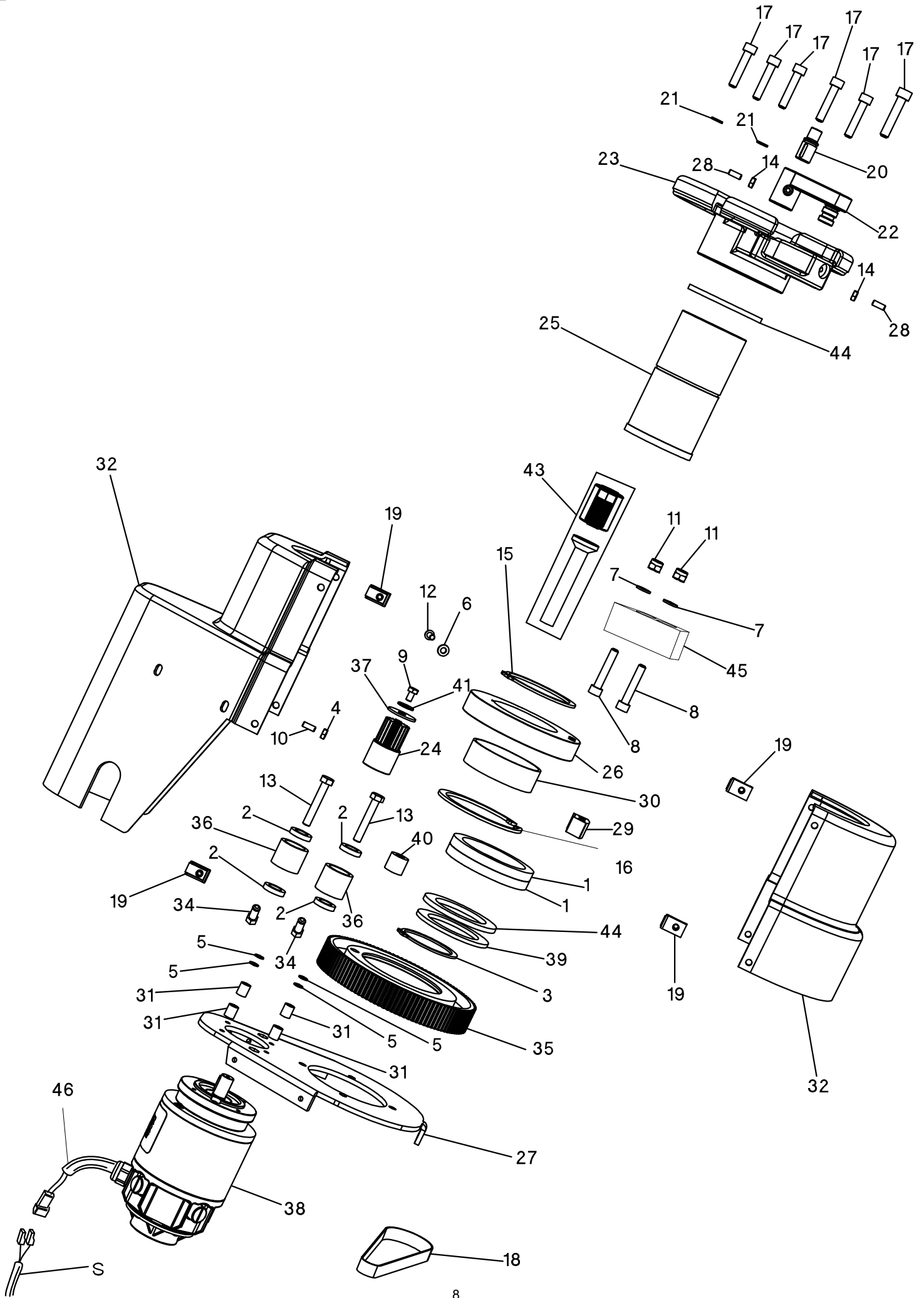


ref.	cod.	descrizione	description
1	2-00210	RONDELLA 6592-TE- 5-100HV ZI	WASHER D.5
2	2-00211	RONDELLA 6592-TE- 6-100HV ZI	WASHER D.6
3	2-00213	RONDELLA 6592-TE-10-100HV ZI	WASHER D.10
4	2-00214	RONDELLA 6592-TE-12-100HV ZI	WASHER D.12
5	2-00330	VTCEI 4762 8.8 BR M10X 30	HEXAGON SOCKET HEAD SCREW M 10X 30
6	2-01019	DADO ES.N A.7473 6S ZI M10	NORMAL AUTO LOCKING HEXAGON NUT M
7	2-01045	RONDELLA 6592-TE-16-100HV ZI	WASHER D.16
8	2-01122	ANELLO EL. 7435 D 15	SEEGER D 15
9	2-01130	ANELLO EL. 7435 D 16	SEEGER D 16
10	2-01276	DADO ES.B A.7474 6S ZI M12	LOW AUTO LOCKING HEXAGON NUT M 12
11	2-01806	VTCEI 4762 12.9 BR M12X 35	HEXAGON SOCKET HEAD SCREW M12X 35
12	2-01989	VTCEI 4762 8.8 ZI M 6X 10	HEXAGON SOCKET HEAD SCREW M6 X10
13	2-02494	RONDELLA 6592-TE-10-100HV BR	WASHER D.10
14	2-02817	VTCEI 4762 8.8 ZI M 6X 12	HEXAGON SOCKET HEAD SCREW M 6X 12
15	2-03003	VTCEI 4762 8.8 ZI M 5X 20	HEXAGON SOCKET HEAD SCREW M5X 20
16	245067	KIT GUARN.CILINDRO D.110	CYLINDER SEALS KIT D.110
17	2-71524	DADO ES.B A.7474 6S ZI M 5	LOW AUTO LOCKING HEXAGON NUT M 5
<b>18</b>	<b>5-104664</b>	<b>UGELLO LUBRIFICATORE CON TUBO</b>	<b>LUBRIFICATOR WITH HOSE</b>
19	3-00630	BOCC.AUT.RAD.DU16X20	BUSHING DU16X20
20	3-01645	RACCPN-D-GR5F-T6/4	FITTING-D-GR5F-T6/4
21	3-02164	IMPUGNAT.THENAR PM1/28 M8	HANDLE M8
22	3-02441	BOCC.AUT.RAD.DU18X20	BUSHING DU18X20
23	4-100473	DIST.FORATO D. 7X5X5	HOLE SPACER D.7X5X5
24	4-107928	BRACCIO STALLON.	ARM BEAD
25	4-108165	LAMIERA FERMO ECCENTRICO	ECCENTRIC STILL PLATE
26	4-108166	RULLINO STALLONATORE	BEAD ROLLER
29	4-108410	BARRA QUADRA	BAR SQUARE
30	4-108411	PERNO PER ANELLI ELASTICI Ø16X46	PIN FOR SEEGER D.16X46
31	4-108412	PERNO PER ANELLI ELASTICI Ø15X68	PIN FOR SEEGER D.15X68
32	4-108416	PERNO BLOCCAGGIO PENETRAZIONE	LOCKING PINS PENETRATION
33	4-111070	PERNO ECC.BRACCIO STALL.	ARM ECCENTRIC STUD BEAD
34	4-111248	LAMIERA POTENZIOMETRO A FILO	PLATE FOR POTENTIOMETER
35	4-111669	LAMIERA SUPP. LUBRIFICATORE	SUPPORT PLATE LUBRIFICATOR
36	4-111670	LAMIERA FISS.UGELLO	MOUNTING PLATE TIP
37	4-113652	COVER LUBRIF.INFERIORE	LOWER COVER LUBRIFICATOR
38	4-114868	LAMIERA FERMO ECENTRICO	ECCENTRIC LATCH PLATE
39	424617	GUARN.OR D 9,25X1,78 2037	O-RING D.9,25X1,78 2037
40	5-101935	CILINDRO STALL. D.110 C=540	BEAD CYLINDER D.110 C=540
41	5-102002	DISCO STALLONATORE	BEAD DISK
42	5-102510	STAFFA SUPP.CILINDRO STALL.	SUPPORT BRACKET CYLINDER BEAD
43	5-102965	PERNO BLOCCAGGIO PENETRAZIONE	LOCK PIN PENETRATION
44	5-103901	POTENZIOMETRO A FILO	POTENTIOMETER WIRE
45	5-104437	SCORREVOLE STALLONATORE	SLIDING BEAD
46	2-01137	DADO ES.B A.7474 6S ZI M 8	LOW AUTO LOCKING HEXAGON NUT M 8
47	3-00055	RACCPN-LO-G1/4G-T8	FITTING-LO-G1/4G-T8
48	3-00059	RACCPN-LO-G1/8C-T8	FITTING-LO-G1/8C-T8
49	339208	RONDELLA D 8,5X22X4	WASHER D.8,5X22X4
50	342900	FLANGIA ANT. D110 (FINO A 12/2011)	FRONT FLANGE D.110 (UP TO 12/2011)
50	5-104739	FLANGIA ANT. D110 (DA 01/2012)	FRONT FLANGE D.110 (FROM 01/12)
51	363627	FLANGIA POST.D.110	REAR FLANGE D.110
52	4-105654	TIRANTE M8X22 L=62CM	ROD M8X22 L.62CM
53	4-105655	CAMICIA CIL. PN. 110X582	CYLINDER LINER D.110X582
54	4-105656	STELO OCCH. NO CODOLO 22X652	ROD 22X652
<b>55</b>	<b>4-115373</b>	<b>PERNO ECCENTRICO STALLONATORE</b>	<b>ECCENTRIC PIN BEAD</b>
<b>56</b>	<b>4-115374</b>	<b>PERNO FISSO STALLONATORE</b>	<b>PIN FIXED BEAD</b>
<b>57</b>	<b>3010435</b>	<b>RASAMENTO D.16,5X35X0,5</b>	<b>WASHER D.16,5X35X0,5</b>

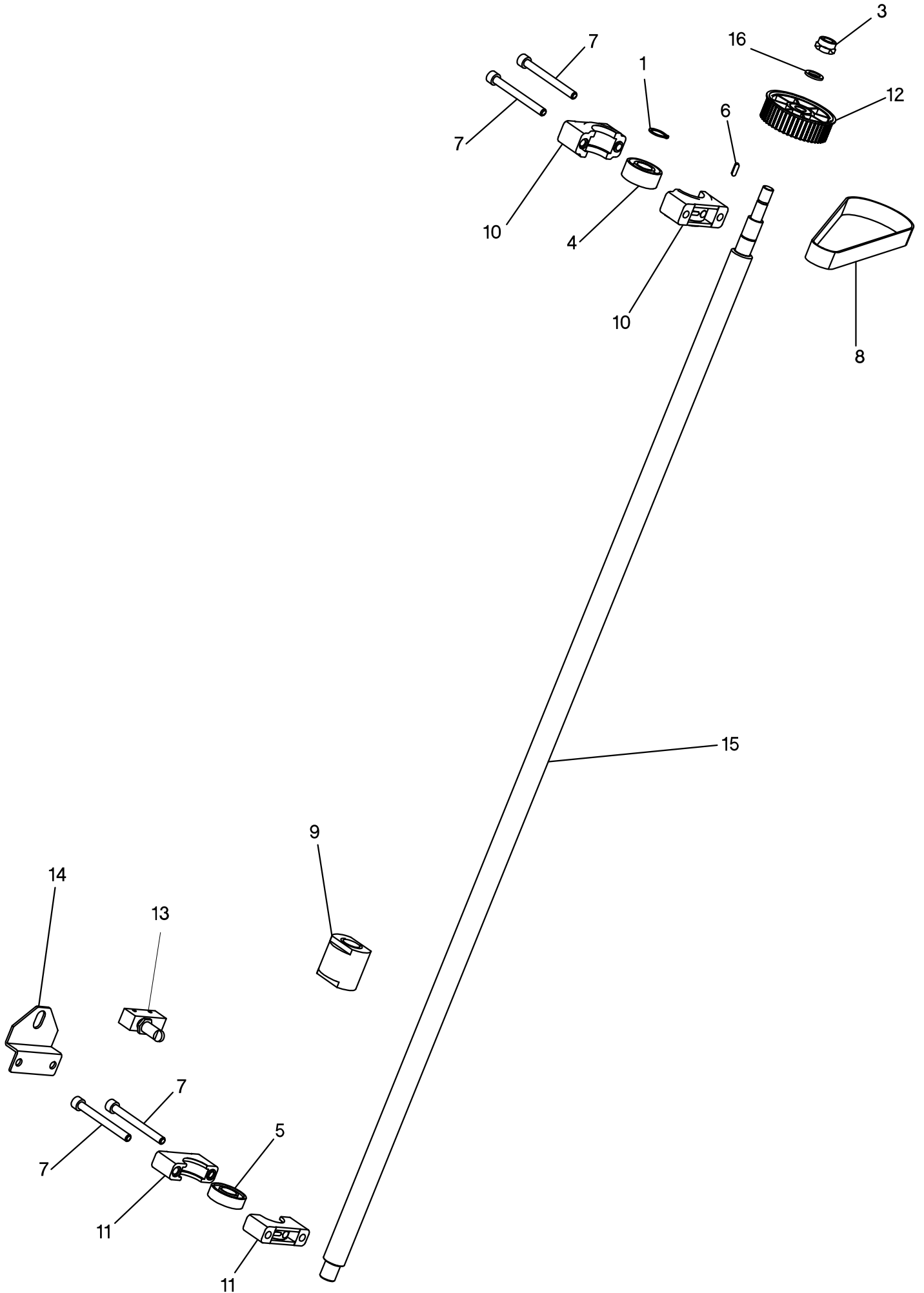




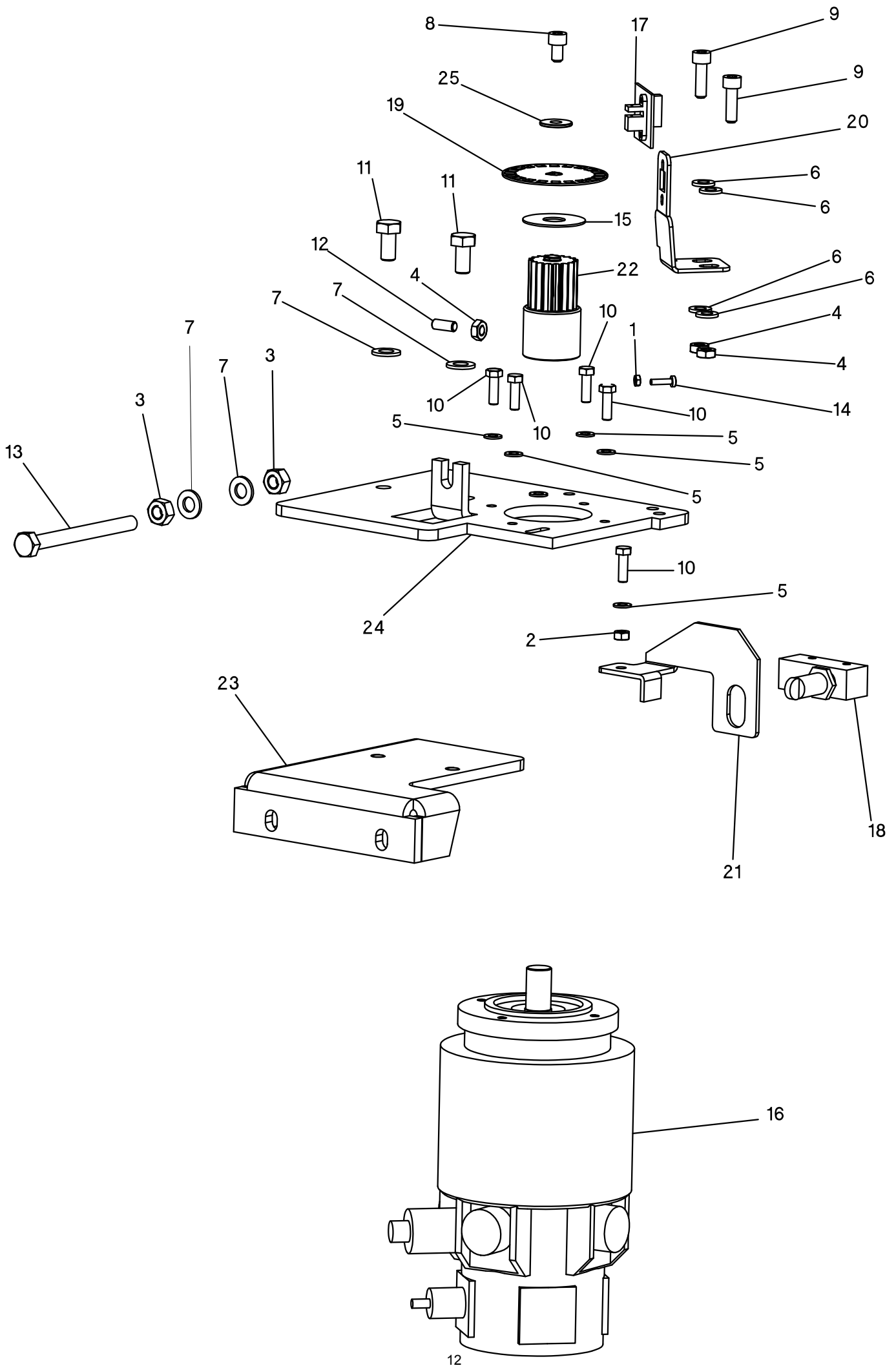
ref.	cod.	descrizione	description
1	2-00021	ANELLO EL. 7435 D.8	SEEGER D.8
2	2-00026	ANELLO EL. 7435 D.14	SEEGER D.14
3	2-00143	DADO ES.N 5588 6S ZI M4	NORMAL HEXAGON NUT M4
4	2-00211	RONDELLA 6592-TE-6--100HV	WASHER D.6
5	2-00927	VTCEI 4762 8.8 BR M4X22	HEXAGON SOCKET HEAD SCREW M4X22
6	2-00934	VTCEI 4762 8.8 BR M6X22	HEXAGON SOCKET HEAD SCREW M6X22
7	2-01257	DADO ES.N A. 7473 6S ZI M6	NORMAL AUTO LOCKING HEXAGON NUT M6
8	2-02096	VSTEI 5923 P.PA. BR M12X20	HEXAGON SOCKET COUNTERSUNK HEAD SCREW M12X20
9	2-02398	VSTEI 5923 P.PA. BR M12X60	HEXAGON SOCKET COUNTERSUNK HEAD SCREW M12X60
10	301694	RONDELLA ACC. D.14X8X0,2	WASHER D.14X8X0,2
11	339856	RONDELLA ACC. D.8,25X15X3	WASHER D.8,25X15X3
12	4-103723	PERNO CON CAVA X SEEGER	PIN
13	4-105853	BARRA ESAGONALE	HEXAGONAL BAR
14	4-106016	CARTER PENETRAZIONE	CARTER PENETRATION
15	4-106024	DADO SPECIALE M12	SPECIAL NUT M12
16	4-106025	LAMIERA DI BLOCCO PENET.	PLATE BLOCK PENETRATION
17	4-106180	PERNO PORTARULLO	STUD ROLL HOLDER
18	4-106181	SUPPORTO DISCO STALL.	DISC BEAD SUPPORT
19	4-106199	BIELLA	ROD
20	4-106224	PERNO CON CAVA X SEEGER	PIN
21	4-106234	PERNO DI FULCRO BIELLA	FULCRUM PIN ROD
22	4-106235	MOLLA D.20X45X2,2	SPRING D.20X45X2,2
23	4-106238	MOLLA A TRAZIONE	SPRING TENSION
24	435005	RONDELLA ACC. D.15X21X1	WASHER D.15X21X1
25	462117	RONDELLA ACC.D. 12X24X0,5	WASHER D.12X24X0,5
26	5-100688	RULLO STALL.+ CUSCINETTI	BEAD ROLLER WITH BEARING
27	5-102002	DISCO STALLONATORE CPL.	COMPLETE DISC BEAD
28	5-102062	CILINDRO PNEUMATICO D.60	PNEUMATIC CYLINDER D.60



ref.	cod.	descrizione	description
1	2-00003	CUS.RAD.75X95X10 61815-2RS1	BEARING D.75X95X10 61815-2RS
2	2-00004	CUS.RAD.15X24X5 61802-2RS	BEARING D.15X24X5 61802-2RS
3	2-00055	ANELLO EL. DIN 983 D 60	SEEGER D.60
4	2-00155	DADO ES.B 5589 6S BR M 6	LOW HEXAGON NUT M6
5	2-00210	RONDELLA 6592-TE- 5-100HV	WASHER D.5
6	2-00211	RONDELLA 6592-TE- 6-100HV	WASHER D.6
7	2-00212	RONDELLA 6592-TE-8-100HV	WASHER D.8
8	2-00327	VTCEI 4762 8.8 BR M 8X 45	HEXAGON SOCKET HEAD SCREW M8X45
9	2-00359	VTE 5739 8.8 BR M 6X 10	HEXAGON HEAD SCREW M6X10
10	2-00998	VSTEI 5929 P.CP. BR M 6X14	HEXAGON SOCKET COUNTERSUNK HEAD SCREW M6X14
11	2-01020	DADO ES.N A.7473 6S ZI M 8	NORMAL AUTO LOCKING HEXAGON NUT M8
12	2-02234	VTBEI ISO7380 BR M 6X 12	SCREW HEXAGON SOCKET HEAD CONVEX M6X12
13	2-02802	VTE 5737 1/2F 8.8 ZI M 8X 50	HEXAGON HEAD SCREW 1/2F M8X50
14	2-00676	DADO ES.N 5588 6S BR M 5	NORMAL HEXAGON NUT M5
15	2-03059	ANELLO EL. 7435 D 75	SEEGER D.75
16	2-03067	ANELLO EL. 7435 D 95	SEEGER D.95
17	2-03604	VTCEI 4762 12.9 BR M 8X 40	HEXAGON SOCKET HEAD SCREW M8X40
18	3-00422	CINGHIA RPP5 615 H=25	BELT RPP5 615 H=25
19	4-100615	INS.X VITE M6 SP 2.1-3.0	INSERT FOR SCREW M6 SP2.1-3.0
20	4-102326	PERNO TRASCINATORE	PIN HOLDER
21	4-102752	RONDELLA ANTISVIT.D.8	WASHER ANTI-UNSCREWING D.8
22	4-103143	LEVA	LEVER
23	4-110830	CORPO PLATTORELLO	TURTABLE BODY
24	4-110835	PULEGGIA MOTRICE Z18	MOTOR PULLEY Z18
25	5-104721	BOCCOLA ROTANTE	ROTATING BUSHING
26	4-111041	FLANGIA TRASCINATA	FLANGE ENTRAINED
27	4-111042	SUPPORTO MOTORE	MOTOR SUPPORT
28	2-02560	VSTEI 5925 P.CL. BR M 5X16	HEXAGON SOCKET COUNTERSUNK HEAD SCREW M5X16
29	4-111045	PARACOLPO	BUFFERS
30	4-111046	DISTANZIALE FLANGIA SUP.	UPPER FLANGE SPACER
31	4-111047	DISTANZIALE MOTORE	MOTOR SPACER
32	5-102404	CARTER AUTOCENT CPL	COMPLETE TURNTABLE COVER
32	5-102404	CARTER AUTOCENT.CPL	COMPLETE TURNTABLE COVER
34	4-111051	ECCENTRICO	ECCENTRIC
35	5-104857	PUL. CONDOTTA Z112 + SPINA	PULLEY CONDUCT Z112 WITH CYLINDER PLUG
36	4-111054	BOCCOLA PER TENDICINGHIA	TENSION BUSH
37	4-111055	ROND. ANTIROT.PULEG.Z18	ANTI-ROTATION WASHER PULLEY Z18
38	4-112388	MOT.260W B14/63 48V	MOTOR 260W B14/63 48V D.14(4P)
39	4-112882	RONDELLA DIST.APP. RALLA	WASHER THRUST SPACER SUPPORT
40	4-113389	TAMPONE IN GOMMA	RUBBER BUFFER
41	478173	RONDELLA D.6X18X1,5	WASHER D.6X18X1,5
42	5-102403	AUTOCENTR.MECCANICO CPL	COMPLETE MECCANIC TURNTABLE
43	5-104738	ASSIEME BOCCOLA OSCILL.	BUSHING
44	5-104424	CUSCINETTO ASSIALE + RALLE	BEARING WITH SLEWING
45	4-114879	PARACOLPO	BUFFERS
46	5-100943	CAVO FILTRO MOTORE ASSE Y	Y-AXIS MOTOR CABLE FILTER
S	5-103583	CAVO SK-MOT.AUT.(LOCK-MOT)	BOARD CABLE-TURNTABLE MOTOR PW (LOCK-MOT)

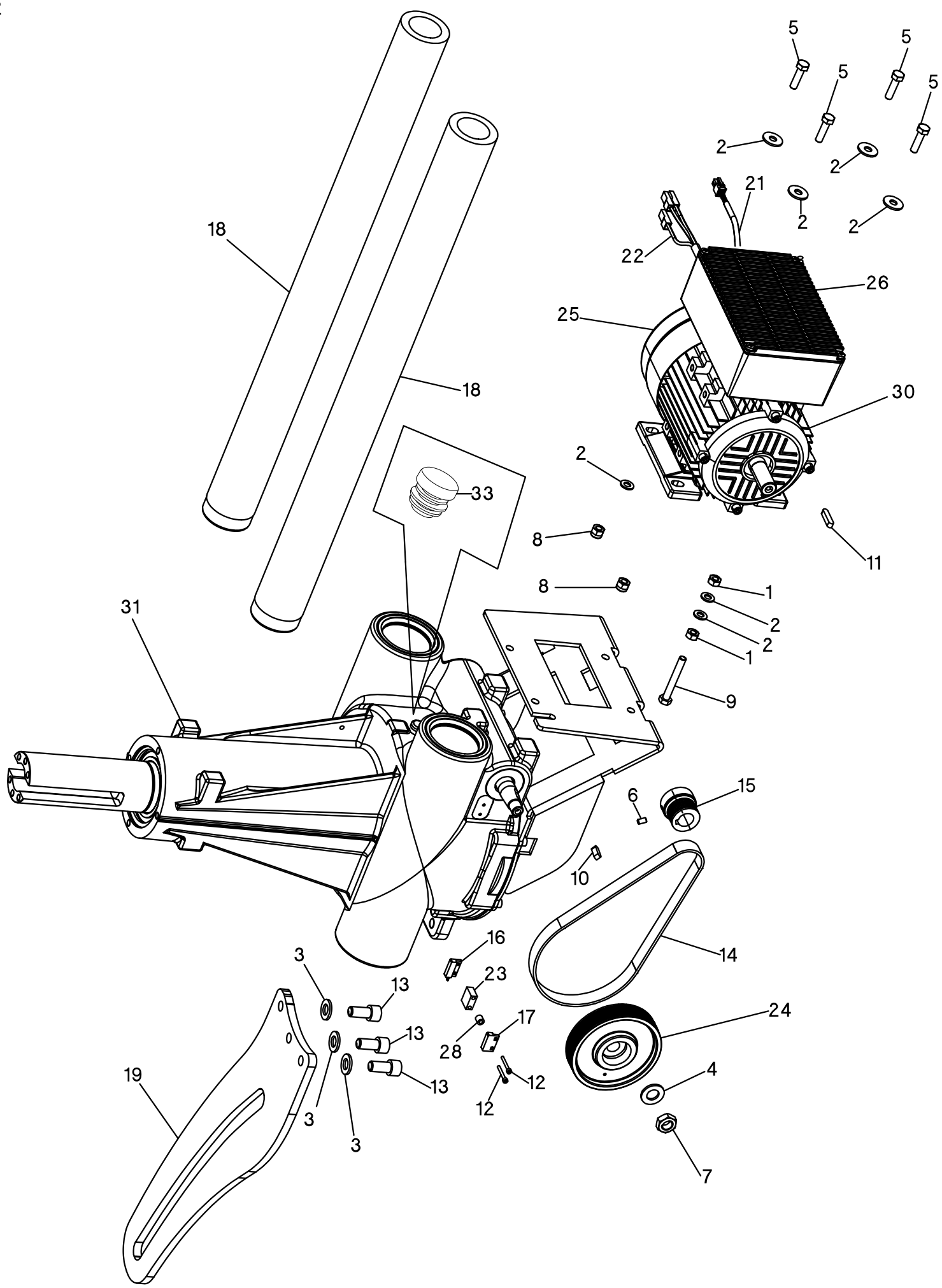


ref.	cod.	descrizione	description
1	2-00889	ANELLO EL. 7435 D.17	SEEGER 7435 D.17
3	2-01276	DADO ES.B A.7474 6S ZI M12	LOW AUTO-LOCKING HEXAGON NUT M12
4	2-03070	CUS.OBL.3203 A-2RS 17X40X17,5	BEARING 3203 A-2RS 17X40X17,5
5	2-03071	CUS.RAD.RIG.6203-2RS 17X40X12	BEARING 6203-2RS 17X40X12
6	2-03072	LINGUETTA 6604-A 4X 4X 14	TAB 6604-A 4X4X14
7	2-03332	VTCEI 4762 12.9 BR1/2F M 8X 80	HEXAGON SOCKET HEAD SCREW 1/2F M8X80
8	3-03034	CINGHIA RPP5 575 H=20	BELT RPP5 H=20
9	361603	CHIOCCIOLA	SCROLL
10	4-100630	SEMISUPPORTO CUSC.SUPERIORE	UPPER BEARING SUPPORT SEED
11	4-100631	SEMISUPPORTO CUSC.INFERIORE	LOWER BEARING SUPPORT SEED
12	4-102438	PULEGGIA CONDOTTA Z48	PULLEY CONDUCT Z18
13	4-108463	MICRO PIZZATO MKF11D17	MICRO PIZZATO MKF11D17
14	4-108464	SUPPORTO MICRO	MICRO SUPPORT
15	4-108466	ALBERO TRASLAZIONE	SHAFT
16	434207	RONDELLA D.13X20X2	WASHER D.13X20X2
17	5-102980	ALBERO TRASL.VERT. CPL	VERTICAL SHAFT COMPLETE



ref.	cod.	descrizione	description
1	2-00142	DADO ES.N 5588 6S ZI M 3	NORMAL HEXAGON NUT M3
2	2-00144	DADO ES.N 5588 6S ZI M 5	NORMAL HEXAGON NUT M5
3	2-00151	DADO ES.N 5588 6S BR M 8	NORMAL HEXAGON NUT M8
4	2-00155	DADO ES.B 5589 6S BR M 6	LOW HEXAGON NUT M6
5	2-00210	RONDELLA 6592-TE- 5-100HV ZI	WASHER D.5
6	2-00211	RONDELLA 6592-TE- 6-100HV ZI	WASHER D.6
7	2-00212	RONDELLA 6592-TE-8-100HV ZI	WASHER D.8
8	2-00308	VTCEI 4762 8.8 BR M 6X 10	HEXAGON SOCKET HEAD SCREW M6X10
9	2-00310	VTCEI 4762 8.8 BR M 6X 20	HEXAGON SOCKET HEAD SCREW M6X20
10	2-00355	VTE 5739 8.8 BR M 5X 16	HEXAGON HEAD SCREW M5X16
11	2-00372	VTE 5739 8.8 BR M 8X 16	HEXAGON HEAD SCREW M8X16
12	2-00998	VSTEI 5929 P.CP. BR M 6X14	ROUND HEAD SCREW HEXAGON SOCKET M6X14
13	2-01084	VTE 5737 1/2F 8.8 BR M 8X 90	HEXAGON HEAD SCREW 1/2F M8X80
14	2-02072	VTIC 7687 PZ ZI M 3 X12	HEAD SCREW Phillips M3X12
15	344208	RONDELLA ACC.D. 12,5X36X1	WASHER D.12,5X36X1
16	4-102627	MOT.AUTOFR.B14/63 48V D.14(4P)	BRAKE MOTOR B14/63 D.14(4P)
17	4-103365	SENSORE DI HALL WIND TWIST	SENSOR HALL
18	4-108463	MICRO PIZZATO MKF11D17	MICRO PIZZATO MKF11D17
19	4-108522	RUOTA DENTATA PER ENCODER	TOOTHED WHEEL ENCODER
20	4-108523	SUPPORTO SENSORE ENCODER	ENCODER SENSOR SUPPORT
21	4-108528	SUPPORTO MICRO TRASL.VERT.	SUPPORT MICRO VERTICAL TRANSLATION
22	4-110835	PULEGGIA MOTRICE Z18	MOTOR PULLEY Z18
23	4-112427	ANGOLARE SUPP.MOT.TRASL.VERT.	SUPPORT ANGLE VERTICAL TRANSLATION MOTOR
24	4-112428	SUPP. MOBILE MOT. TRASL.VERT.	SUPPORT MOBILE VERTICAL TRANSLATION MOTOR
25	478173	ROND.ACC.ZIN.NERO D6X18X1,5	WASHER D.6X18X1,5
26	5-103175	MOTORE TRASL.VERTICALE CPL.	VERTICAL MOTOR COMPLETE TRANSLATION

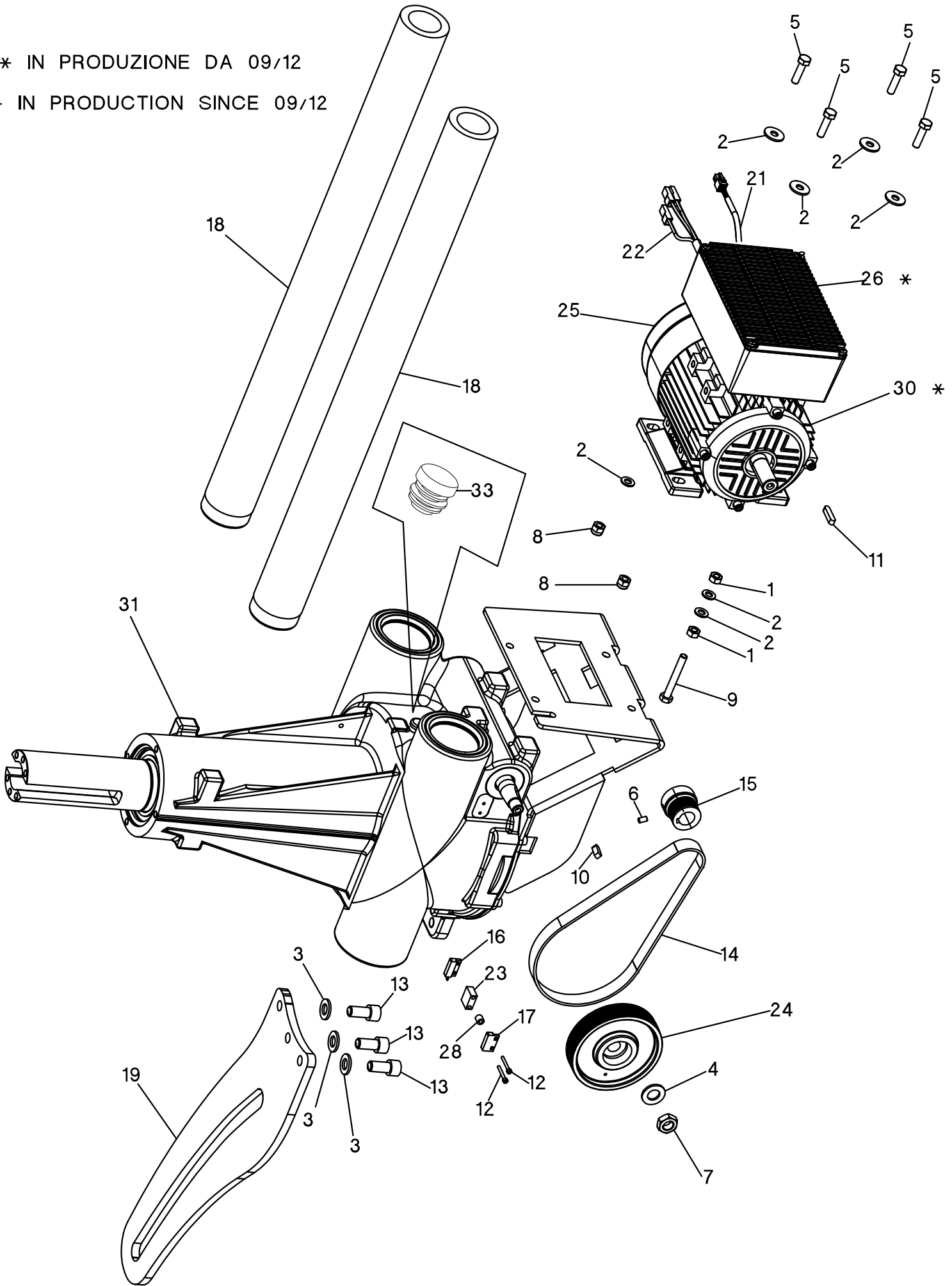




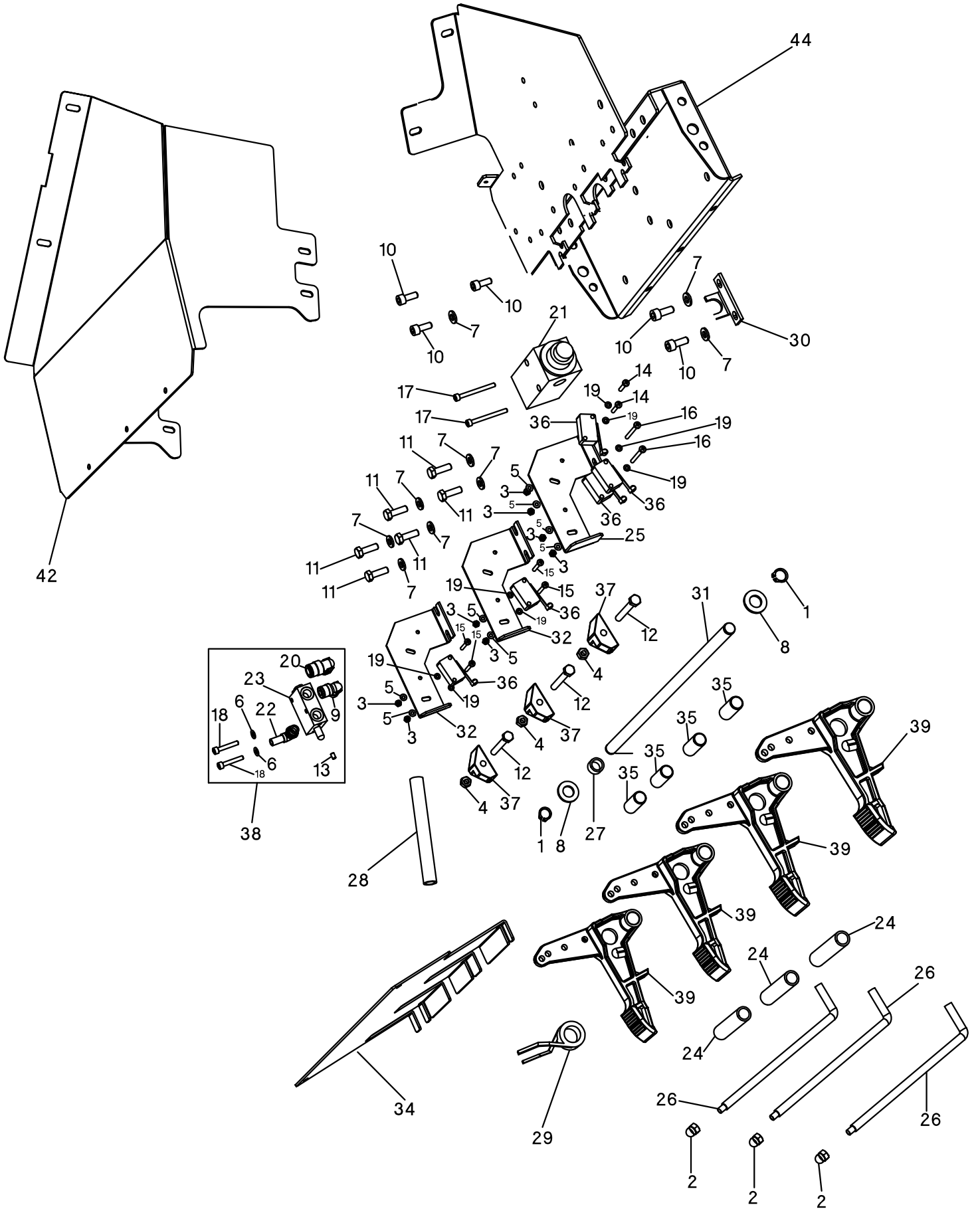
ref.	cod.	descrizione	description
1	2-00151	DADO ES.N 5588 6S BR M 8	NORMAL HEXAGON NUT M8
2	2-00212	RONDELLA 6592-TE-8-100HV ZI	WASHER D.8
3	2-00214	RONDELLA 6592-TE-12-100HV ZI	WASHER D.12
4	2-00215	RONDELLA 6592-TE-14-100HV ZI	WASHER D.14
5	2-00375	VTE 5739 8.8 BR M 8X 30	HEXAGON HEAD SCREW M8X30
6	2-00544	VSTEI 5929 P.CP. BR M 6X10	HEXAGON SOCKET HEAD SCREW M6X10
7	2-00941	DADO ES.B 5589 6S BR M14	LOW HEXAGON NUT M14
8	2-01020	DADO ES.N A.7473 6S ZI M 8	NORMAL AUTO LOCKING HEXAGON NUT M8
9	2-01250	VTE 5739 8.8 BR M 8X 60	HEXAGON HEAD SCREW M8X60
10	2-01950	LINGUETTA 6604-A 6X 6X 18	TAB D.6X6X18
11	2-02542	LINGUETTA 6604-A 6X 6X 28	TAB D.6X6X28
12	2-02907	VTCEI 4762 8.8 ZI M 3X 25	HEXAGON SOCHET HEAD SCREW M3X25
13	2-03144	VTCEI 5931 8.8 ZI M12X1,25X25	HEXAGON SOCHET HEAD SCREW M12X1,25X25
14	3-00573	CINGHIA POLY-V J8-610	MOTOR BELT
15	4-104329	PULEGGIA PV J8 D34	MOTOR PULLEY D.34
16	4-108095	INTERRUTTORE REED L_500	REED SWITCH L.500
17	4-108096	MAGNETE M4	MAGNET M4
18	4-108438	TUBO GUIDA TRASL. RUOTA	TUBE GUIDE
19	4-108441	MOVIMENTAZIONE A CAMMA	HANDLING CAM
21	4-109894	CAVO ALIM.MI - LATO MOT. 230V	MOTOR-SIDE POWER CABLE motoinverter 230V
21	4-111587	CAVO ALIM.MI - LATO MOT. 115V	MOTOR-SIDE POWER CABLE motoinverter 115V
22	4-109895	CAVO COMANDI LATO MOT. 230/115V	CABLE CONTROLS motoinverter 230/115V
23	4-111026	DISTANZIALE MICRO REED	MICRO REED SPACER
24	4-113067	PULEGGIA RIDUTTORE D.110 CODE	PULLEY GEAR D.110
25	4-113412	MOTOINVERTER 230/115V SENZA SK	MOTOINVERTER NO PC BOARD 230/115V
26	4-113413	SK.INVERTER 190HZ 200-230V fw 9.8	PC BOARD MOTOINVERTER 230V
26	4-111585	SK.INVERTER 190HZ 115V fw 9.8	PC BOARD MOTOINVERTER 115V
28	457462	DISTANZ.CIL.NO FILETT.OTT. 4,3X8,0 L08	SPACER ROUND NOT THREADED D.4,3X8 L.0,8
30	5-104278	MOTOINVERTER 230V CON CAVI	MOTOINVERTER 230V WITH CABLE
30	5-103599	MOTOINVERTER 115V CON CAVI	MOTOINVERTER 115V WITH CABLE
31	5-104452	RIDUTTORE 230/115V SENZA MOTOINV.	GEARBOX 230/115V NO MOTOINVERTER
32	5-104456	RIDUTTORE CON MOTOINV. 230V	GEARBOX WITH MOTOR GROUP 230V
32	5-104455	RIDUTTORE CON MOTOINV. 115V	GEARBOX WITH MOTOR GROUP 115V
33	4-100159	TAPPO TONDO DE18 H11 SP 1-2	ROUND CAP DE18 H11 SP1-2

\* IN PRODUZIONE DA 09/12

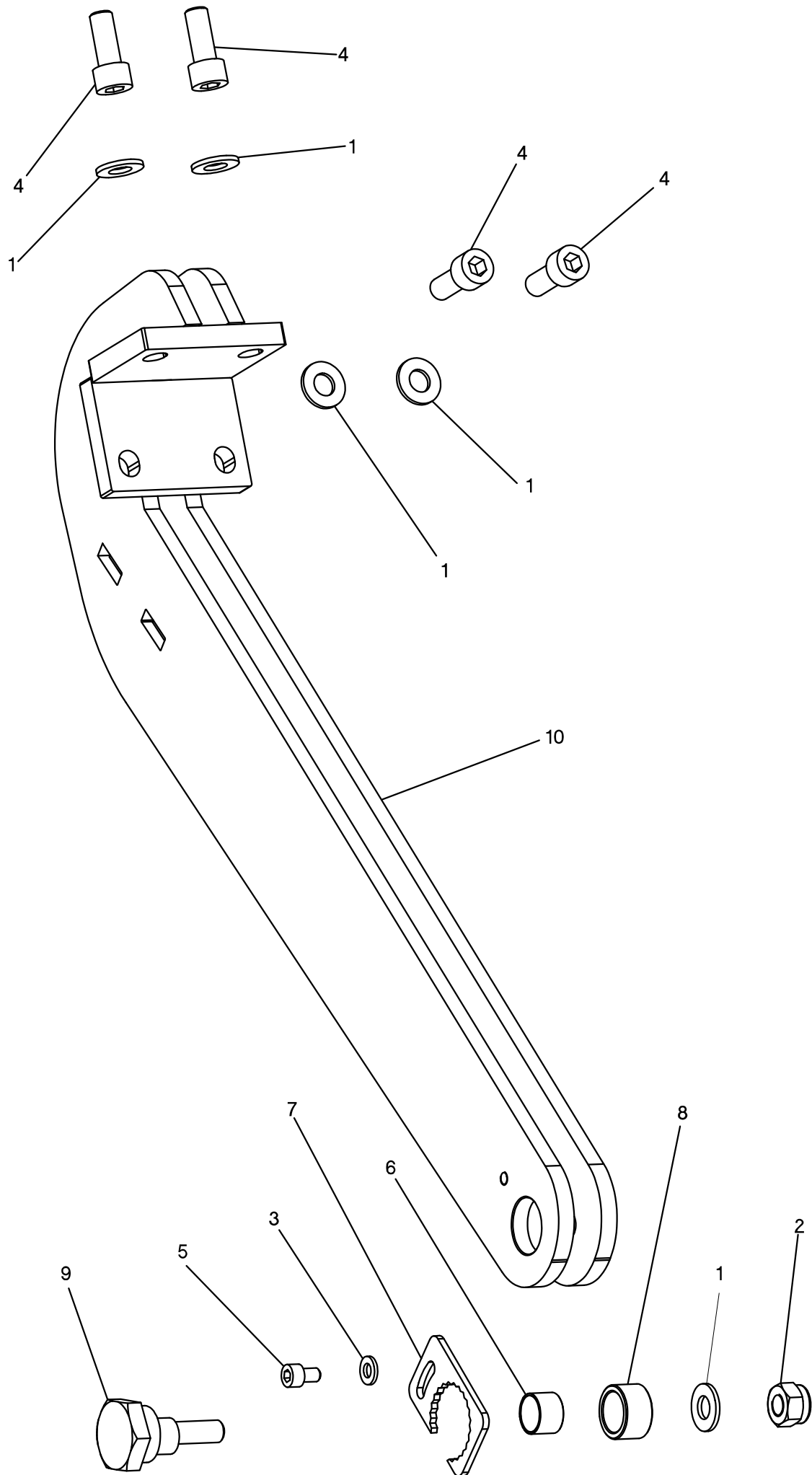
\* IN PRODUCTION SINCE 09/12



ref.	cod.	descrizione	description
1	2-00151	DADO ES.N 5588 6S BR M 8	NORMAL HEXAGON NUT M8
2	2-00212	RONDELLA 6592-TE-8-100HV ZI	WASHER D.8
3	2-00214	RONDELLA 6592-TE-12-100HV ZI	WASHER D.12
4	2-00215	RONDELLA 6592-TE-14-100HV ZI	WASHER D.14
5	2-00375	VTE 5739 8.8 BR M 8X 30	HEXAGON HEAD SCREW M8X30
6	2-00544	VSTEI 5929 P.CP. BR M 6X10	HEXAGON SOCKET HEAD SCREW M6X10
7	2-00941	DADO ES.B 5589 6S BR M14	LOW HEXAGON NUT M14
8	2-01020	DADO ES.N A.7473 6S ZI M 8	NORMAL AUTO LOCKING HEXAGON NUT M8
9	2-01250	VTE 5739 8.8 BR M 8X 60	HEXAGON HEAD SCREW M8X60
10	2-01950	LINGUETTA 6604-A 6X 6X 18	TAB D.6X6X18
11	2-02542	LINGUETTA 6604-A 6X 6X 28	TAB D.6X6X28
12	2-02907	VTCEI 4762 8.8 ZI M 3X 25	HEXAGON SOCHET HEAD SCREW M3X25
13	2-03144	VTCEI 5931 8.8 ZI M12X1,25X25	HEXAGON SOCHET HEAD SCREW M12X1,25X25
14	3-00573	CINGHIA POLY-V J8-610	MOTOR BELT
15	4-104329	PULEGGIA PV J8 D34	MOTOR PULLEY D.34
16	4-108095	INTERRUTTORE REED L_500	REED SWITCH L.500
17	4-108096	MAGNETE M4	MAGNET M4
18	4-108438	TUBO GUIDA TRASL. RUOTA	TUBE GUIDE
19	4-108441	MOVIMENTAZIONE A CAMMA	HANDLING CAM
21	4-111587	CAVO ALIM.MI - LATO MOT. 230/115V	MOTOR-SIDE POWER CABLE motoinv 230/115V
22	4-109895	CAVO COMANDI LATO MOT. 230/115V	CABLE CONTROLS motoinverter 230/115V
23	4-111026	DISTANZIALE MICRO REED	MICRO REED SPACER
24	4-113067	PULEGGIA RIDUTTORE D.110 CODE	PULLEY GEAR D.110
25	4-113412	MOTOINVERTER 230/115V SENZA SK	MOTOINVERTER NO PC BOARD 230/115V
<b>26</b>	<b>4-115395</b>	<b>SK.INVERTER 190HZ 230V fw 9.8+FILTRO</b>	<b>PC BOARD MOTOINV. 230V WITH FILTER</b>
26	4-111585	SK.INVERTER 190HZ 115V fw 9.8	PC BOARD MOTOINVERTER 115V
28	457462	DISTANZ.CIL.NO FILETT.OTT. 4,3X8,0 L08	SPACER ROUND NOT THREADED D.4,3X8 L.0,8
<b>30</b>	<b>5-104966</b>	<b>MOTOINV. 230V CON CAVI+FILTRO</b>	<b>MOTOINV. 230V WITH CABLE AND FILTER</b>
30	5-103599	MOTOINVERTER 115V CON CAVI	MOTOINVERTER 115V WITH CABLE
31	5-104452	RIDUTTORE 230/115V SENZA MOTOINV.	GEARBOX 230/115V NO MOTOINVERTER
32	5-104456	RIDUTTORE CON MOTOINV. 230V	GEARBOX WITH MOTOR GROUP 230V
32	5-104455	RIDUTTORE CON MOTOINV. 115V	GEARBOX WITH MOTOR GROUP 115V
33	4-100159	TAPPO TONDO DE18 H11 SP 1-2	ROUND CAP DE18 H11 SP1-2

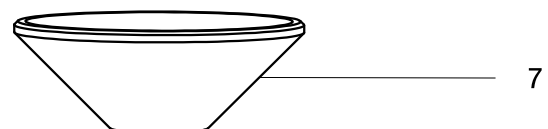
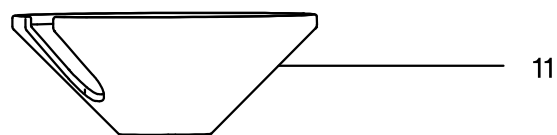
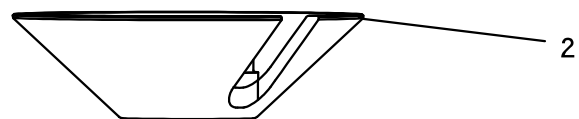
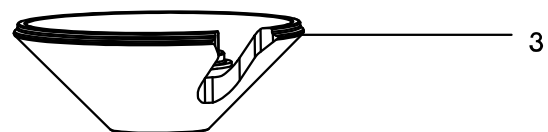
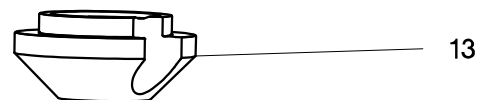
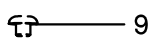
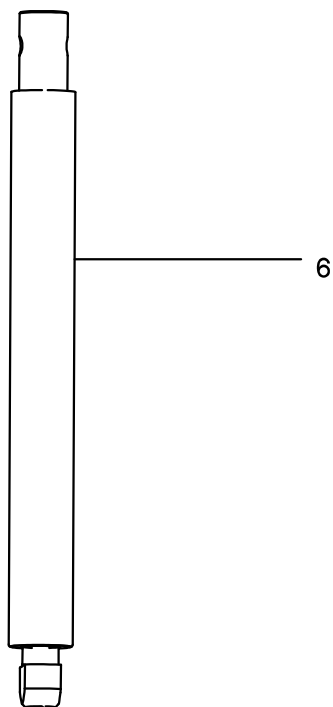
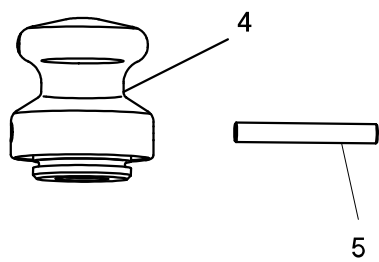


ref.	cod.	descrizione	description
1	2-00025	ANELLO EL. 7435 D12	SEEGER D.12
2	2-00104	DADO ES.CIECO 5721 5S ZI M 6	HEXAGON NUT BLIND M6
3	2-00124	DADO ES.A 5587 6S ZI M 3	AUTO LOCKING HEXAGON NUT M3
4	2-00150	DADO ES.N 5588 6S BR M 6	NORMAL HEXAGON NUT M6
5	2-00208	RONDELLA 6592-TE- 3-100HV ZI	WASHER D.3
6	2-00209	RONDELLA 6592-TE-4-100HV ZI	WASHER D.4
7	2-00211	RONDELLA 6592-TE- 6-100HV ZI	WASHER D.6
8	2-00214	RONDELLA 6592-TE-12-100HV ZI	WASHER D.12
9	3-00218	RACCPN-L-G1/8C-T8	FITTING-L-G1/8C-T8
10	2-00309	VTCEI 4762 8.8 BR M 6X 16	HEXAGON SOCKET HEAD SCREW M6X16
11	2-00362	VTE 5739 8.8 BR M 6X 20	HEXAGON HEAD SCREW M6X20
12	2-00368	VTE 5739 8.8 BR M 6X 50	HEXAGON HEAD SCREW M6X50
13	2-00526	VSTEI 5923 P.PA. BR M 4X 6	BELL HEXAGON SOCKET HEAD SCREW M4X6
14	2-00575	VTCIC 7687 PZ ZI M 3 X16	CYLINDRICAL HEAD SCREW phillips M3X16
15	2-00576	VTCIC 7687 PZ ZI M 3 X20	CYLINDRICAL HEAD SCREW phillips M3X20
16	2-00578	VTCIC 7687 PZ ZI M 3 X30	CYLINDRICAL HEAD SCREW phillips M3X30
17	2-02286	VTCEI 4762 8.8 ZI M 4X 45	HEXAGON SOCKET HEAD SCREW M4X45
18	2-03032	VTCEI 4762 8.8 ZI M 4X 25	HEXAGON SOCKET HEAD SCREW M4X25
19	2-71547	ROSETTA EL. 8842 A BR D 3	WASHER D.3
20	3-00049	RACCPN-LO-G1/8G-T8	FITTING-LO-G1/8G-T8
21	3-00389	VALVOLA GONFIAGG.RAPIDO G1/4	INFLATION VALVE LIMITER
22	3-01176	RACCPN-RESCA-L-G1/8-T6	FITTING-RESCA-L-G1/8-T6
23	3-01178	VALVOLA PN.AZ.MEC.OTTUR.1/8 NA	PNEUMATIC VALVE 1/8 NO
24	340313	DISTANZIALE PEDALI	SPACER FOR PEDALS
25	361524	LAMIERA SUPPORTO MICRO ROTAZ.	MICRO SUPPORT PLATE ROTATION
26	361537	TONDO D.8	SUPPORT PEDAL COVER D.8
27	4-103658	DIST.FORATO D.12,1X16X9	SPACER HOLE D.12,1X16X9
28	410628	MOLLA T U7900 D.2X14X105	SPRING D.2X14X105
29	4-109664	MOLLA COMANDO PEDALI	SPRING CONTROL PEDALS
30	4-111296	RINFORZO	REINFORCEMENT
31	4-111297	PERNO PER ANELLI	PIN
32	4-111298	LAMIERA SUPPORTO MICRO AUTOC.	TURNTABLE MICRO SUPPORT PLATE
34	4-113473	LAMIERA PROTEZIONE PEDALI	PROTECTION PLATE PEDALS
35	452011	BOCCOLA D.12X14X33,5	BUSH D.12X14X33,5
36	440874	MICROINT.16A 250V 1NO+1NC+FAST	MICRO 16A 250V 1NO+1NC+FAST
37	461535	BLOCCHETTO MICRO	MICRO BLOCK
38	5-102712	VALVOLA GONFIAGGIO	INFLATION VALVE
39	5-102714	PEDALE CON BOCCOLA	PEDAL WITH BUSH
42	4-115228	COPERCHIO PEDALIERA	PEDAL COVER
43	5-104862	PEDALIERA COMPLETA	PEDAL GROUP
44	5-104968	BASAMENTO PEDALIERA	PEDAL BASE



ref.	cod.	descrizione	description
1	2-00213	RONDELLA 6592-TE-10-100HV ZI	WASHER D.10
2	2-01019	DADO ES.N A.7473 6S ZI M10	NORMAL AUTO LOCKING HEXAGON NUT M10
3	2-01113	RONDELLA 6592-TE- 6-100HV BR	WASHER D.6
4	2-01191	VTCEI 4762 12.9 BR M10X 25	HEXAGON SOCKET HEAD SCREW M10X25
5	2-01989	VTCEI 4762 8.8 ZI M 6X 10	HEXAGON SOCKET HEAD SCREW M6X10
6	3-01158	BOCC.AUT.RAD.DU16X12	BUSHING DU16X12
7	4-103705	LAMIERA FERMO ECCENTRICO	ECCENTRIC LATCH PLATE
8	4-107508	RULLINO CAMMA MOVIMENTAZ. STALL.	BEAD ROLLER CAM HANDLING
9	4-107509	PERNO ECCENTRICO CAMMA STALL.	BEAD PIN ECCENTRIC ARM
10	4-108407	MOVIMENTAZIONE STALLONATORE	MOVEMENT BEAD
11	5-104453	MOVIMENTAZIONE STALL. CPL	COMPLETE MOVMENT BEAD



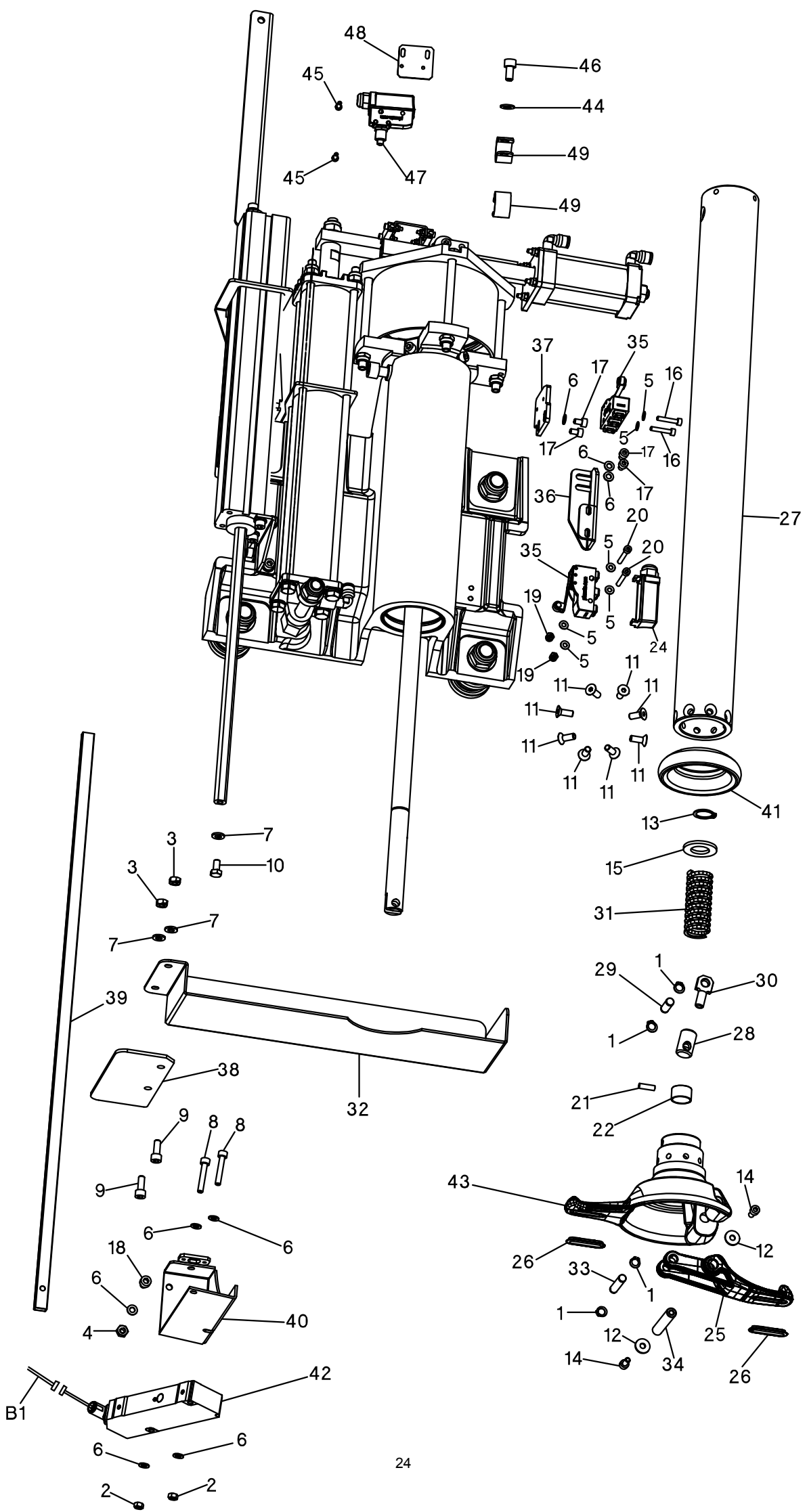


14

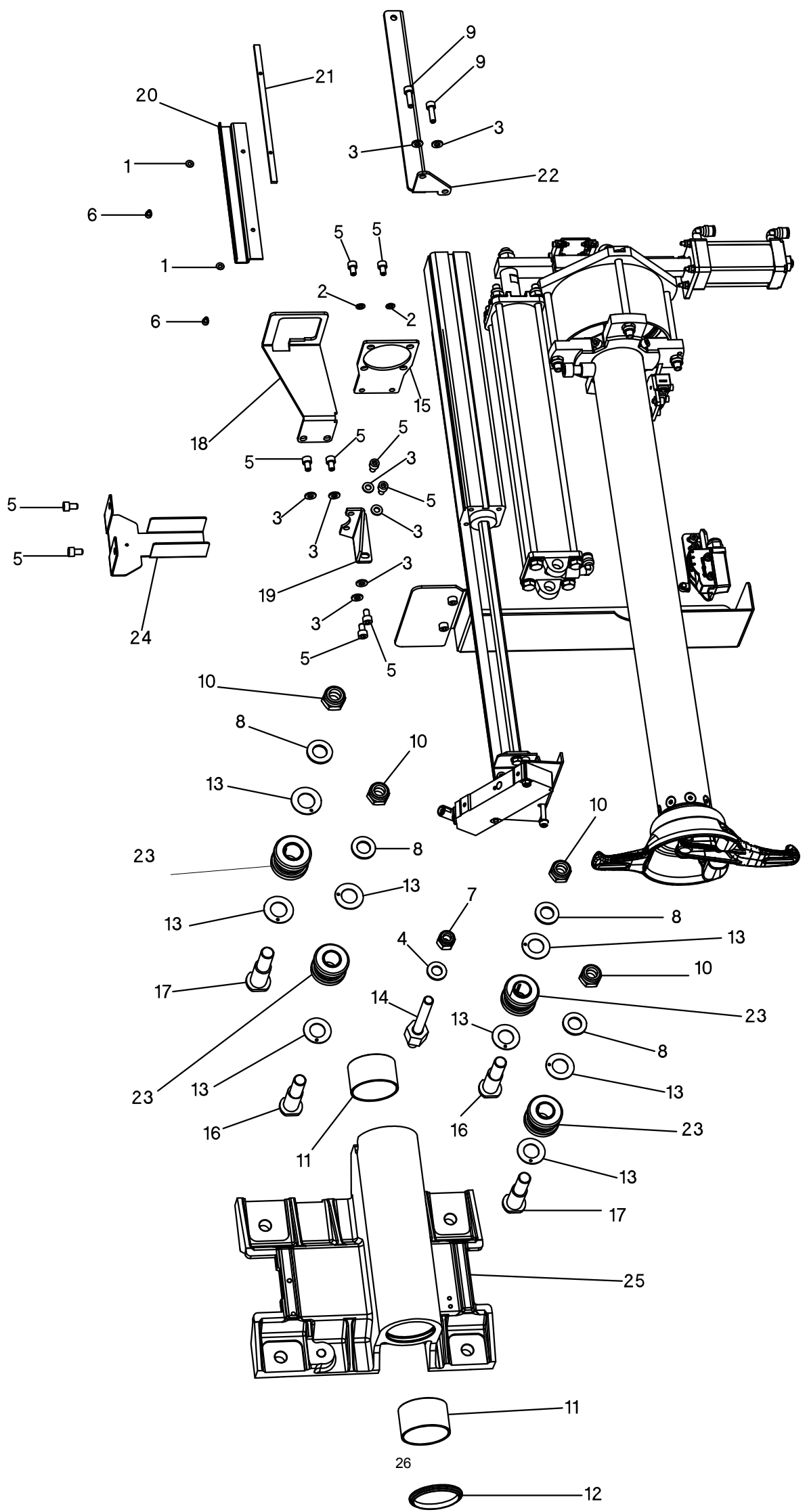
15



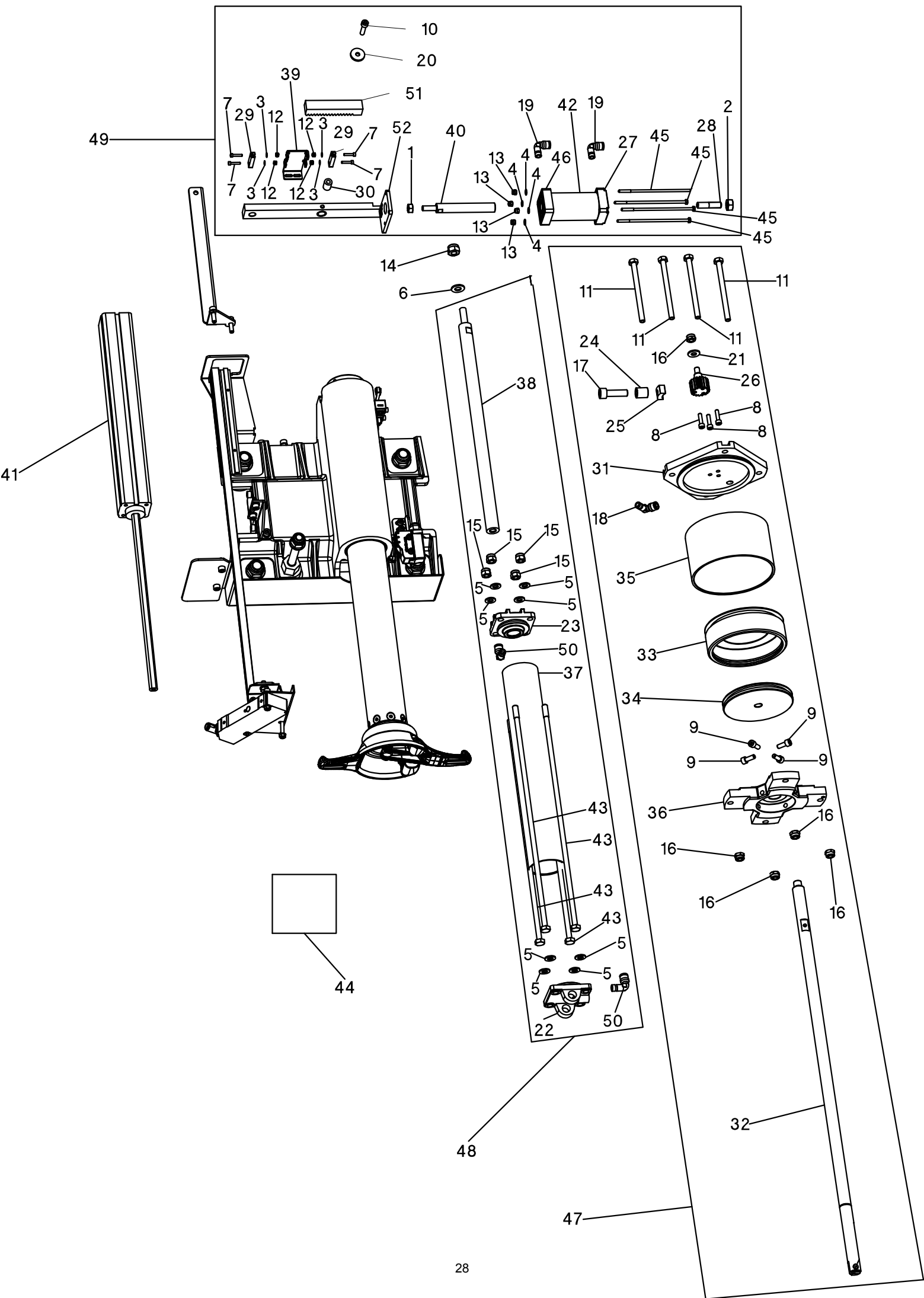
ref.	cod.	descrizione	description
1	2-03236	ANELLO EL. 7433 A D.40	SEEGER D.40
2	4-102346	CONO D.145 (M2)	CONE D.145 (M2)
3	4-102353	CONO D.120 (M11)	CONE D.120 (M11)
4	4-111043	IMPUGNATURA	HANDLE
5	4-111048	TONDO ZIGRINATO	ROUND KNURLED
6	4-111053	BARRA BLOCCAGGIO RUOTA	WHEEL LOCKING BAR
7	4-111353	CONO D.120 PLASTICA	PLASTIC CONE D.120
8	4-111632	PROLUNGA MANIGLIA ALL. D.26.5	EXTENSION HANDLE d.26, 5
9	461560	PROTEZIONE	PROTECTION
10	461614	ANELLO EST.FILO TONDO D.40X2,5	EXTERNAL RING D.40X2,5
11	461668	PROTEZIONE CONO D.120 (M7)	PROTECTION CONE D.120 (M7)
12	462414	CONO D.54 (M6)	CONE D.54 (M6)
13	462415	CONO D.75 (M5)	CONE D.75 (M5)
14	5-103528	MANIGLIA DI BLOCCAGGIO CPL.	COMPLETE LOCKING HANDLE
15	5-104690	PROLUNGA MANIGLIA D.26.5 CPL.	COMPLETE EXTENSION HANDLE d.26,5



ref.	cod.	descrizione	description
1	2-00021	ANELLO EL. 7435 D 8	SEEGER D.8
2	2-00144	DADO ES.N 5588 6S ZI M 5	NORMAL HEXAGON NUT M5
3	2-00150	DADO ES.N 5588 6S BR M 6	NORMAL HEXAGON NUT M6
4	2-00155	DADO ES.B 5589 6S BR M 6	LOW HEXAGON NUT M6
5	2-00209	RONDELLA 6592-TE-4-100HV ZI	WASHER D.4
6	2-00210	RONDELLA 6592-TE- 5-100HV ZI	WASHER D.5
7	2-00211	RONDELLA 6592-TE- 6-100HV ZI	WASHER D.6
8	2-00300	VTCEI 4762 8.8 BR M 5X 30	HEXAGON SOCKET HEAD SCREW M5X30
9	2-00309	VTCEI 4762 8.8 BR M 6X 16	HEXAGON SOCKET HEAD SCREW M6X16
10	2-00360	VTE 5739 8.8 BR M 6X 12	HEXAGON HEAD SCREW M6X12
11	2-00711	VTSPEI 5933 10.9 BR M 6X16	HEXAGON SOCKET SCREW countersunk head M6X16
12	2-00713	ROSETTA 6593 ZI D 5,5X15X1,6	WASHER D.5,5X15X1,6
13	2-00821	ANELLO EL. 7435 D 18	SEEGER D.18
14	2-00853	VTCEI 4762 8.8 BR M 5X 12	HEXAGON SOCKET HEAD SCREW M5X12
15	2-00896	RONDELLA 6592-TE-18-100HV ZI	WASHER D.18
16	2-00927	VTCEI 4762 8.8 BR M 4X 22	HEXAGON SOCKET HEAD SCREW M4X22
17	2-00995	VTCEI 4762 8.8 BR M 5X 8	HEXAGON SOCKET HEAD SCREW M5X8
18	2-01006	VTCEI 4762 8.8 BR M 6X 8	HEXAGON SOCKET HEAD SCREW M6X8
19	2-01018	DADO ES.N A.7473 6S ZI M 4	NORMAL AUTO LOCKING HEXAGON NUT M4
20	2-02078	VTCEI 4762 8.8 ZI1/2F M 4X 30	HEXAGON SOCKET HEAD SCREW 1/2F M4X30
21	2-02220	SPINA EL.SP. ISO8751 D 5X16	ELASTIC PLUG D.5X16
22	3-03048	BOCC.AUT.RAD.DU18X12	BUSHING DU18X12
24	4-107864	COPRITERMINALI VF MKCV22	TERMINAL COVER MKCV22
25	4-107934	GANCIO	TOOL
26	4-107970	PROTEZ.UTENSILI MASTER Z36	MASTER PRTECTION TOOL
27	4-108444	TUBO TESTINA	TOOL TUBE
28	4-108453	REGISTRO	REGISTER
29	4-108454	SPINA POSTERIORE	REAR PLUG
30	4-108455	BIELLA	ROD
31	4-108456	MOLLA COMPRESS. A/3454	SPRING COMPRESSED A/3454
32	4-108480	LAMIERA PROTEZIONE ROTELLE	ROLLER PLATE PROTECTION
33	4-108560	PERNO CON CAVE D.8X37	PIN FOR ELASTIC SEEGER D.8X37
34	4-108561	FULCRO	FULCRUM
35	4-109005	MICROINT.16A 25V 1NA-NC LEVA	LEVER MICROSWITCH 16A 250V 1NO-NC
36	4-111146	STAFFA MICRO ANT.TESTINA	MICRO FRONT BRACKET TOOL
37	4-111149	STAFFA MICRO POST.TESTINA	BRACKET REAR MICRO TOOL
38	4-111252	GOMMA PROTEZIONE TESTINA	RUBBER PROTECTION TOOL
39	4-111285	CANALINA 7X12 L=620CM	TRUNKING 7X12 L=620CM
40	4-111286	SUPPORTO LASER COMPLETO	COMPLETE LASER SUPPORT
41	461476	RULLO	ROLLER
42	5-102590	LASER	LASER
43	5-104502	TORRETTA CON BOCCOLA	TOOL BODY WITH BUSH
44	2-00212	RONDELLA 6592-TE-8-100HV ZI	WASHER D.8
45	2-00291	VTCEI 4762 8.8 BR M 4X 20	HEXAGON SOCKET HEAD SCREW M 4X20
46	2-00319	VTCEI 4762 8.8 BR M 8X 16	HEXAGON SOCKET HEAD SCREW M 8X16
47	4-106284	MICRO IP66 "PIZZATO" MM12	MICRO IP66 MM12
48	4-115123	STAFFA MICRO POSTERIORE	MICRO BRACKET REAR
49	441731	COLLARE D.25	COLLAR D.25
B1	4-106785	CAVO SK-LASER (SENS UP)	BOARD CABLE-LASER (SENS UP)

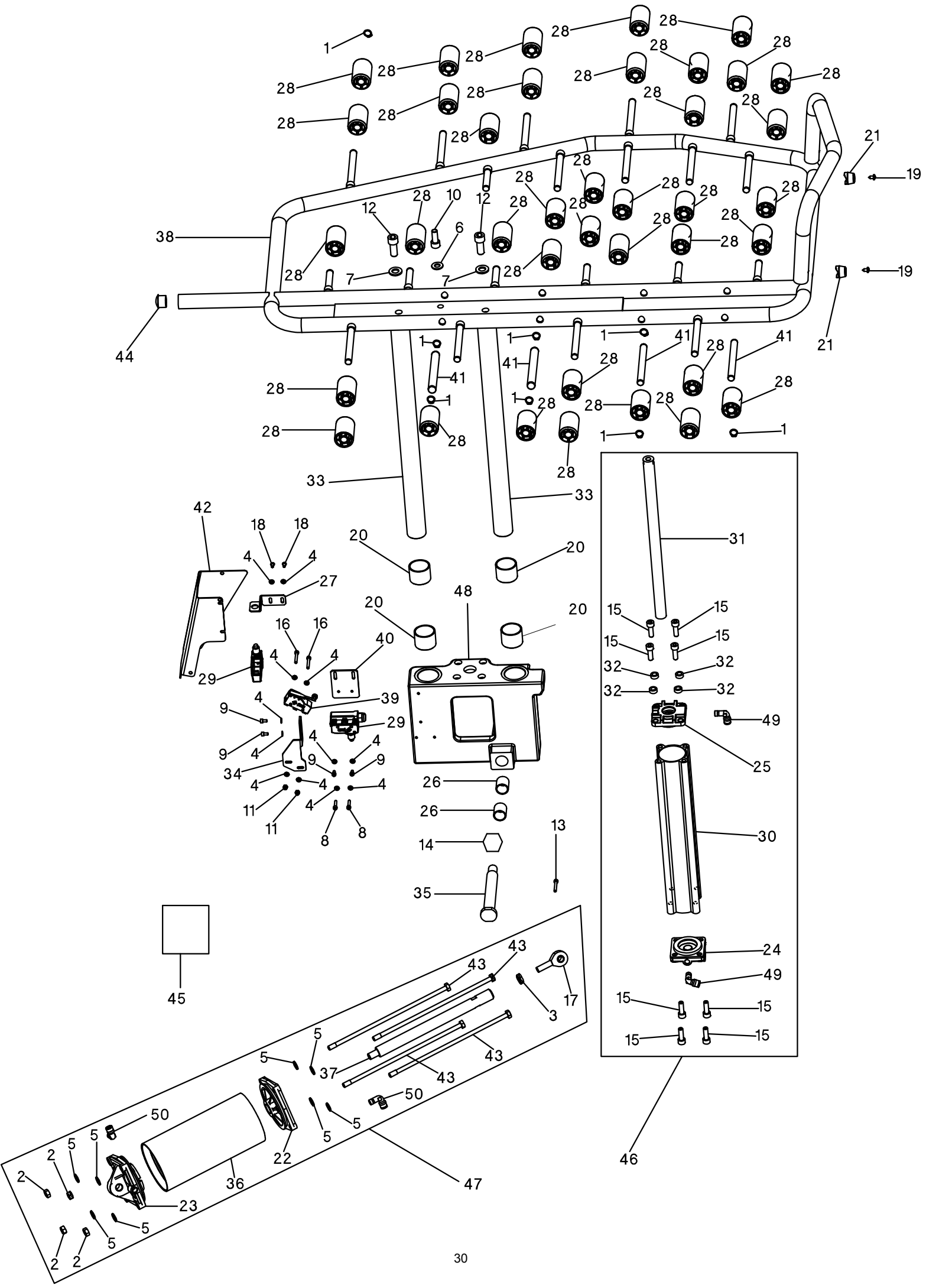


ref.	cod.	descrizione	description
1	2-00209	RONDELLA 6592-TE-4-100HV ZI	WASHER D.4
2	2-00210	RONDELLA 6592-TE- 5-100HV ZI	WASHER D.5
3	2-00211	RONDELLA 6592-TE- 6-100HV ZI	WASHER D.6
4	2-00214	RONDELLA 6592-TE-12-100HV ZI	WASHER D.12
5	2-00308	VTCEI 4762 8.8 BR M 6X 10	HEXAGON SOCKET HEAD SCREW M6X10
6	2-00742	VTCEI 4762 8.8 BR M 4X 6	HEXAGON SOCKET HEAD SCREW M4X6
7	2-01021	DADO ES.N A.7473 6S ZI M12	NORMAL AUTO LOCKING HEXAGON NUT M12
8	2-01045	RONDELLA 6592-TE-16-100HV ZI	WASHER D.16
9	2-02057	VTCEI 4762 8.8 ZI M 6X 20	HEXAGON SOCKET HEAD SCREW M6X20
10	2-71526	DADO ES.B A.7474 6S ZI M16	LOW AUTO LOCKING HEXAGON NUT M16
11	3-01159	BOCC.AUT.RAD.DU60X40	BUSHING DU60X40
12	3-01173	RASCHIATORE DP6 60/70/5/7 ATP	SCRAPER DP6 60/70/5/7 ATP
13	3-01195	BOCC.AUT.ASS.DU20X36	BUSHING DU20X36
14	4-103840	PERNO FULCRO CILINDRO	FULCRUM PIN CYLINDER
15	4-108461	LAM.FERMO CIL.TRASL.TESTINA	TRASLATION TOOL RETAINER PLATE CYLINDER
16	4-111109	PERNO ECCENTRICO RULLINO	ECCENTRIC ROLLER PIN
17	4-111110	PERNO RULLINO	ROLLER PIN
18	4-111281	SUPPORTO POST. CILINDRO	REAR SUPPORT CYLINDER
19	4-111289	SUPPORTO ANT.CILINDRO	FRONT SUPPORT CYLINDER
20	4-111290	LAMIERA SUPPORTO CANALINA	TRUNKING SUPPORT PLATE
21	4-112282	PIASTRINA FISS.CANALINA	PLATE MOUNTING TRUNKING
22	4-113235	LAMIERA PROTEZIONE CAVO	CABLE PROTECTION PLATE
23	5-102717	RULLINO CON BOCCOLE	ROLLER WITH BUSHING
24	5-103675	LAMIERA CON FELTRO	PLATE WITH FELT
25	5-104498	CARRELLO TESTINA CON BOCCOLE	SUPPORT TOOL WITH BUSCHING

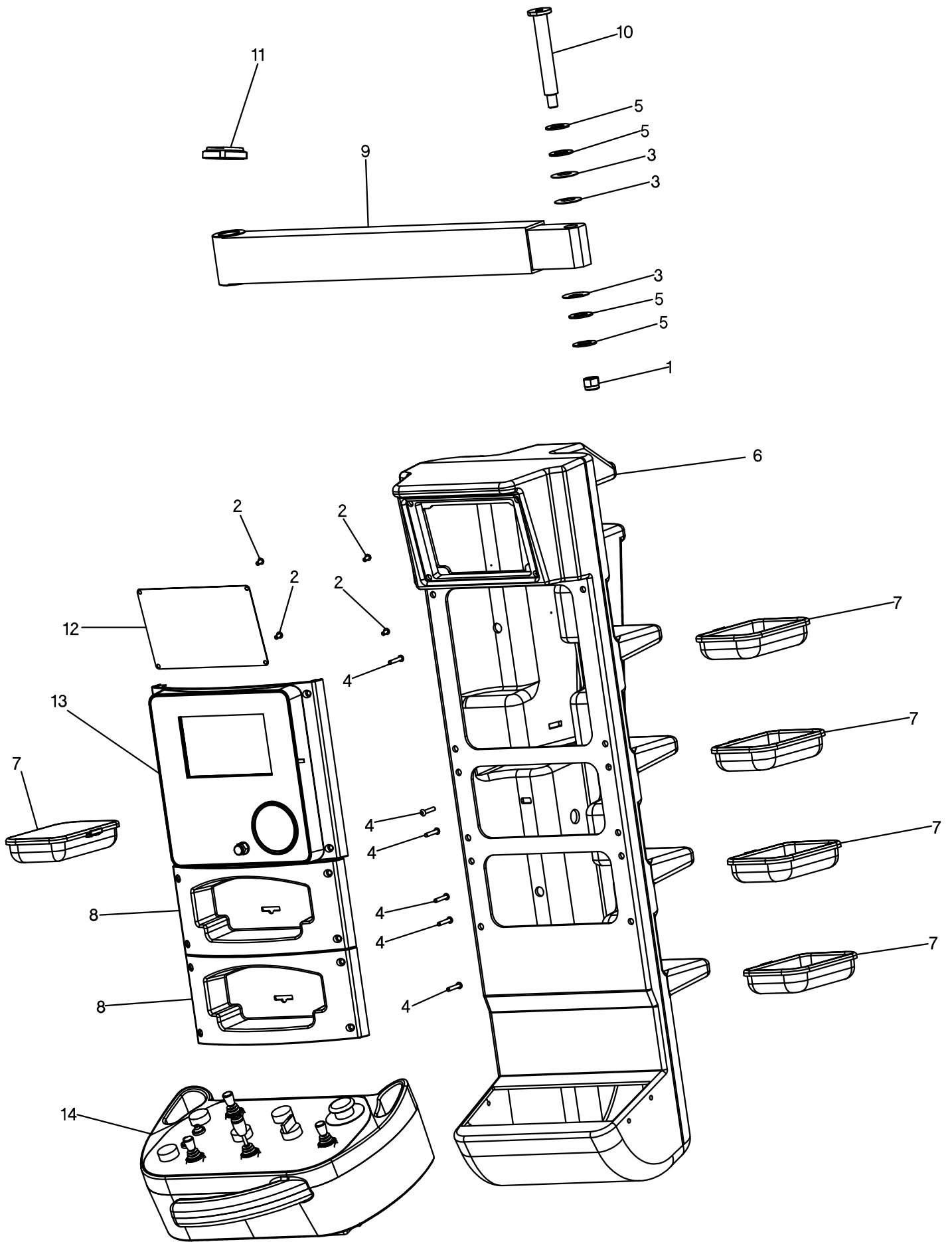


ref.	cod.	descrizione	description
1	2-00151	DADO ES.N 5588 6S BR M 8	NORMAL HEXAGON NUT M 8
2	2-00152	DADO ES.N 5588 6S BR M 10	NORMAL HEXAGON NUT M 10
3	2-00208	RONDELLA 6592-TE- 3-100HV ZI	WASHER D.3
4	2-00209	RONDELLA 6592-TE-4-100HV ZI	WASHER D.4
5	2-00212	RONDELLA 6592-TE-8-100HV ZI	WASHER D.8
6	2-00213	RONDELLA 6592-TE-10-100HV ZI	WASHER D.10
7	2-00288	VTCEI 4762 8.8 BR M 3X 16	HEXAGON SOCKET HEAD SCREW M3X16
8	2-00298	VTCEI 4762 8.8 BR M 5X 20	HEXAGON SOCKET HEAD SCREW M5X20
9	2-00309	VTCEI 4762 8.8 BR M 6X 16	HEXAGON SOCKET HEAD SCREW M6X16
10	2-00312	VTCEI 4762 8.8 BR M 6X 25	HEXAGON SOCKET HEAD SCREW M6X25
11	2-00860	VTE 5737 1/2F 8.8 BR M 8X110	HEXAGON HEAD SCREW 1/2F M8X110
12	2-01017	DADO ES.N A.7473 6S ZI M 3	NORMAL AUTO LOCKING HEXAGON NUT M3
13	2-01018	DADO ES.N A.7473 6S ZI M 4	NORMAL AUTO LOCKING HEXAGON NUT M4
14	2-01019	DADO ES.N A.7473 6S ZI M10	NORMAL AUTO LOCKING HEXAGON NUT M10
15	2-01020	DADO ES.N A.7473 6S ZI M 8	NORMAL AUTO LOCKING HEXAGON NUT M8
16	2-01137	DADO ES.B A.7474 6S ZI M 8	LOW AUTO LOCKING HEXAGON NUT M8
17	2-03136	VTCEI 5931 8.8 BR M10X1,25X35	HEXAGON SOCKET HEAD SCREW M10X1,25X35
18	3-00217	RACCPN-L-G1/8C-T6	FITTING-L-G1/8C-T6
19	3-00220	RACCPN-L-G1/8C-T4	FITTING-L-G1/8C-T4
20	320574	RONDELLA D 6,5X22X3	WASHER D.6,5X22X3
21	344207	RONDELLA ACC.D. 8,4X19X2	WASHER D.8,4X19X2
22	356480	FLANGIA POSTERIORE D.50	REAR FLANGE D.50
23	356491	FLANGIA ANTERIORE D.50	FRONT FLANGE D.50
24	361481	BOCCOLA FINE CORSA	BUSH LIMIT
25	361482	DISTANZIALE RAGGIATO	RADIATING SPACER
26	361492	INGRANAGGIO	GEAR
27	4-102255	FLANGIA POSTERIORE D.40	REAR FLANGE D.40
28	4-102259	REGISTRO F.C.CIL.ROTAZ.UTENS.	LIMIT REGISTER CYLINDER ROTATING TOOL
29	4-108047	MICRO POS.ROTAZ.UTENSILE	MICRO POSITIONING TOOL ROTATION
30	4-108418	DISTANZIALE 12X16.5	SPACER D.12X16,5
31	4-108448	FLANGIA POSTERIORE D.125	REAR FLANGE D.125
32	4-108449	TIRANTE PISTONE	PISTON ROD
33	4-108450	PISTONE D.125	PISTON D.125
34	4-108451	PISTONE FLOTTANTE D.125	FLOATING PISTON D.125
35	4-108457	CAMICIA CIL.PN.D.125X77	CYLINDER LINER D.125X77
36	4-108458	ATTACCO PISTONE	PISTON ATTACK
37	4-108459	CAMICIA CIL.PN. D.50X337	CYLINDER LINER D.50X337
38	4-108460	STELO CIL.TRASL.TESTINA	TRANSLATION TOOL ROD CYLINDER
39	4-108533	STAFFA SUPP.SENSORI TESTINA	SENSOR SUPPORT BRACKET
40	4-108536	STELO CILINDRO ROTAZIONE	ROD CYLINDER ROTATION
41	4-111284	CILINDRO METALWORK2600320300FP	CYLINDER METALWORK 2600320300FP
42	4-112406	CAMICIA D.40X77.5	CYLINDER LINER D.40X77,5
43	447299	TIRANTE M8X375	ROD M8X375
44	456522	KIT GUARN.CIL.TRASL.UT.	SEALS KIT TRANSLATION TOOL CYLINDER
44	5-104237	KIT GUARN.CIL.MOVIM.UT.	SEALS KIT MOVMENT TOOL CYLINDER
44	245489	KIT GUARN.ROTAZ.UT.	SEALS KIT ROTATION TOOL CYLINDER
45	461509	TIRANTE M4X115	ROD M4X115
46	463204	FLANGIA ANTERIORE D.40	FRONT FLANGE D.40
47	5-102512	CILINDRO MOVIM.UT CPL.	COMPLETE MOVING CYLINDER TOOL
48	5-102979	CILINDRO TRASL.TESTINA CPL.	COMPLETE TRANSLATION TOOL CYLINDER
49	5-103010	CILINDRO ROT.TESTINA CPL.	COMPLETE CYLINDER TRANSLATION TOOL
50	5-104499	RACCORDO 1/8 CON STROZZ. D.2,25	FITTING 1/8 WITH CHOKE D.2,25
51	5-104500	CREMAGLIERA CON MAGNETE	RACK WITH MAGNET
52	5-104501	PIASTRA CON BOCCOLA	PLATE WITH BUSHING

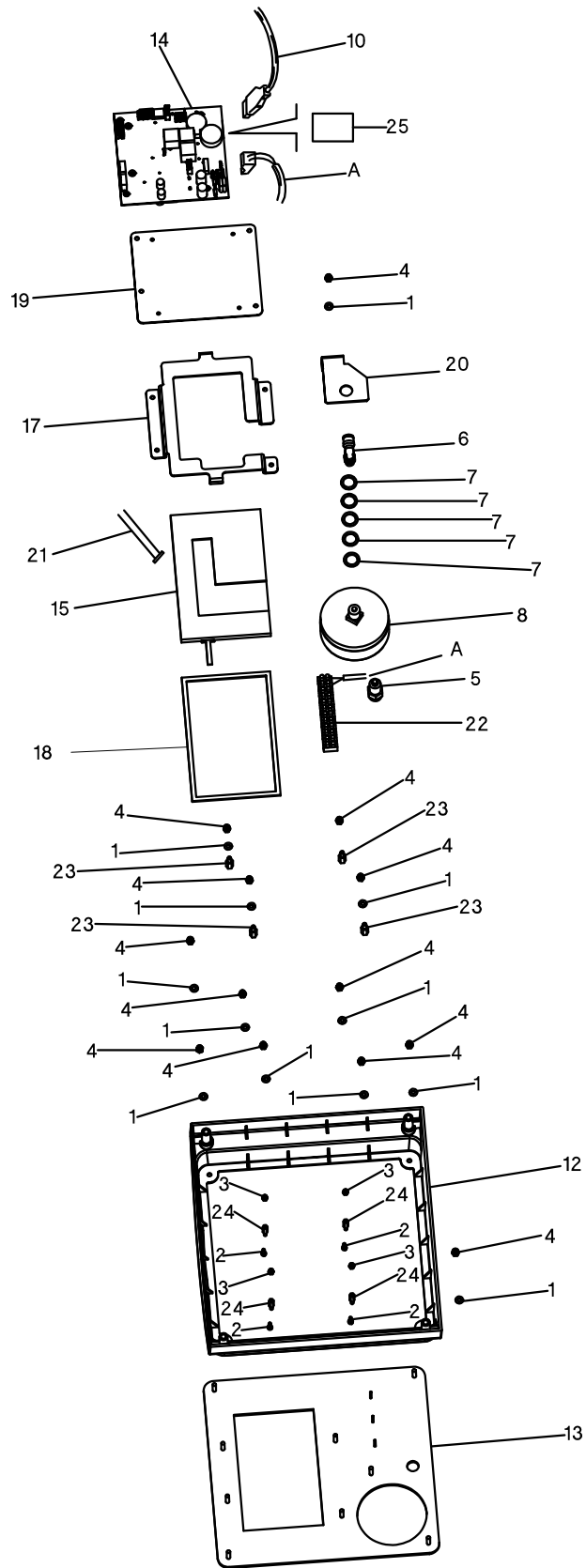




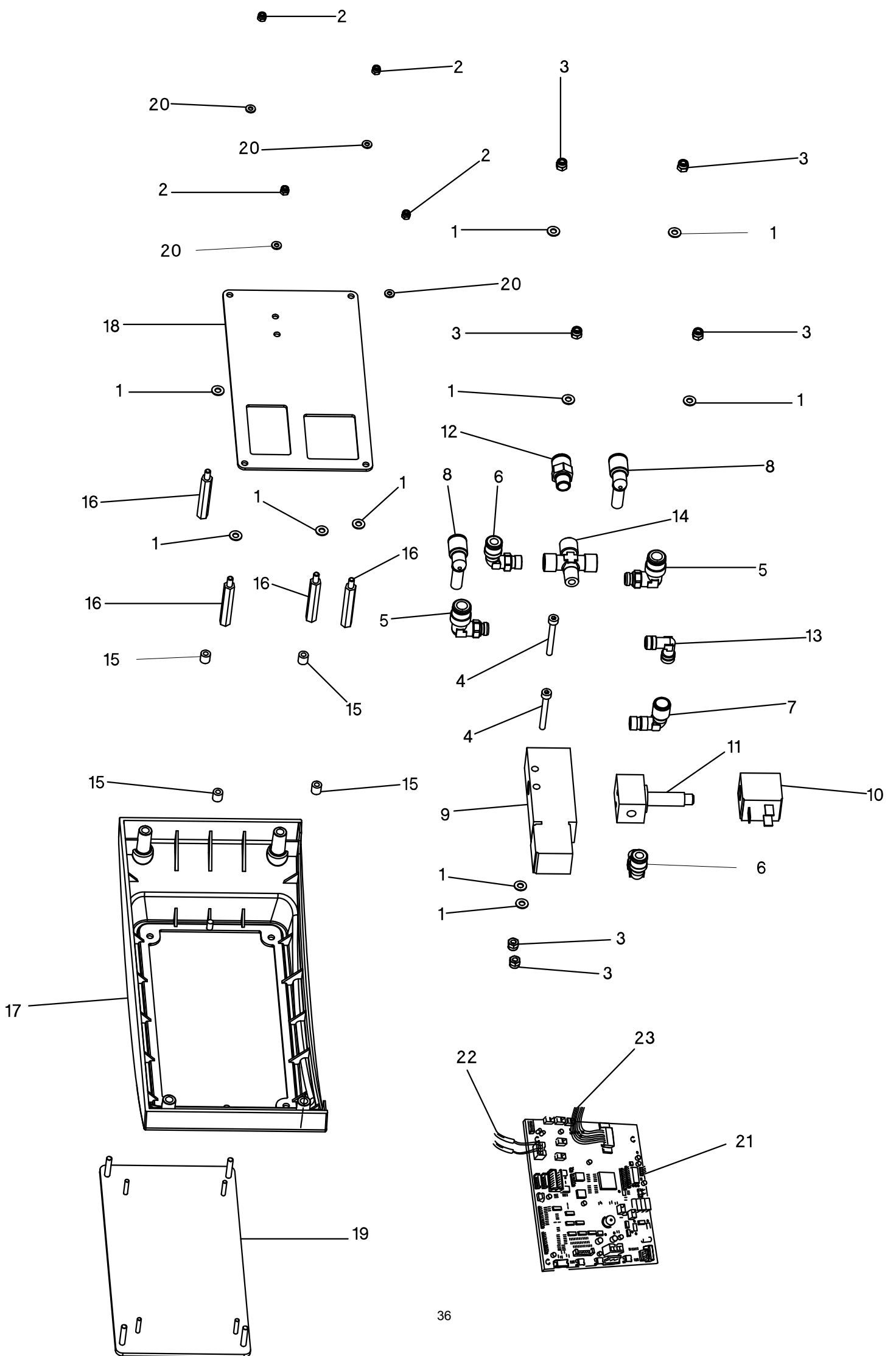
ref.	cod.	descrizione	description
1	2-00025	ANELLO EL. 7435 D 12	SEEGER D.12
2	2-00151	DADO ES.N 5588 6S BR M 8	NORMAL HEXAGON NUT M 8
3	2-00169	DADO ES.B 5589 6S ZI M 10	LOW HEXAGON NUT M 10
4	2-00209	RONDELLA 6592-TE-4-100HV ZI	WASHER D.4
5	2-00212	RONDELLA 6592-TE-8-100HV ZI	WASHER D.8
6	2-00213	RONDELLA 6592-TE-10-100HV ZI	WASHER D.10
7	2-00214	RONDELLA 6592-TE-12-100HV ZI	WASHER D.12
8	2-00291	VTCEI 4762 8.8 BR M 4X 20	HEXAGON SOCKET HEAD SCREW M 4X20
9	2-00295	VTCEI 4762 8.8 BR M 4X 8	HEXAGON SOCKET HEAD SCREW M 4X8
10	2-00329	VTCEI 4762 8.8 BR M10X 25	HEXAGON SOCKET HEAD SCREW M 10X25
11	2-01018	DADO ES.N A.7473 6S ZI M 4	NORMAL AUTO LOCKING HEXAGON NUT M 4
12	2-01033	VTCEI 4762 8.8 BR M12X 30	HEXAGON SOCKET HEAD SCREW M12X30
13	2-01037	VTE 5739 8.8 BR M10X 30	HEXAGON HEAD SCREW M10X30
14	2-01163	DADO ES.N A.7473 6S ZI M16	NORMAL AUTO LOCKING HEXAGON NUT M 16
15	2-02006	VTCEI 4762 8.8 ZI M 8X 25	HEXAGON SOCKET HEAD SCREW M 8X25
16	2-02078	VTCEI 4762 8.8 ZI1/2F M 4X 30	HEXAGON SOCKET HEAD SCREW 1/2F M 4X30
17	2-03594	TERMINALE FIL. EST SKF SA10C	THREADED END M 10
18	2-80009	VTBEI ISO7380 BR M 4X 8	CONVEX HEAD SCREW HEXAGON SOCKET M 4X8
19	2-91660	VATBIC ISO7049 CZ NI D4,8X 9,5	PHILLIPS OVAL HEAD SCREW D.4,8X9,8
20	3-00623	BOCC.AUT.RAD.DU35X30	BUSHING DU35X30
21	3-01698	PARACOLPI CON INCAVO IN PVC	BUFFERS WITH HOLLOW PVC
22	338300	FLANGIA ANTERIORE D.95	FRONT FLANGE D.95
23	339152	FLANGIA POSTERIORE D.95	REAR FLANGE D.95
24	356480	FLANGIA POSTERIORE D.50	REAR FLANGE D.50
25	356491	FALNGIA ANTERIORE D.50	FRONT FLANGE D.50
26	3-80101	BOCC.AUT.RAD.DU20X25	BUSHING DU20X25
27	4-108383	LAMIERA SUPP.MICRO VERTICALE	MICRO VERTICAL PLATE SUPPORT
28	4-103619	RULLO SOLLEVATORE	LIFT ROLLER
29	4-106284	MICRO PIZZATO	MICRO PIZZATO
30	4-108389	CAMICIA CILINDRO D.50	CYLINDER LINER D.50
31	4-108391	STELO CILINDRO SOLL.D.50	LIFT CYLINDER STEM D.50
32	4-108392	BOCCLA ATTACCO CILINDRO D.50	BUSH ATTACK CYLINDER D.50
33	4-108395	BARRA VERTICALE	VERTICAL BAR
34	4-108398	SUPPORTO MICRO	MICRO SUPPORT
35	4-108399	PERNO FULCRO INFERIORE	LOWER FULCRUM PIN
36	4-108400	CAMICIA D.95	CYLINDER LINER D.95
37	4-108402	STELO CILINDRO SOLL D.95	LIFT CYLINDER STEM D.95
38	4-108404	RACCHETTA PORTA RUOTA	WHEEL SUPPORT RACKET
39	4-109005	MICRO 16A 250V	MICRO 16A 250V
40	4-111083	LAMIERA DI FISSAGGIO MICRO	MICRO PLATE FIXTING
41	4-111087	PERNO RULLO INTERNO	ROLL PIN INTERNAL
42	4-113254	CARTER	COVER
43	438523	TIRANTE M8X252	ROD M8X252
44	456036	TAPPO TONDO DE25 H14 SP1-2	CAP ROUND DE25 H14 SP1-2
45	5-101641	KIT GUARNIZIONI CIL. D50	CYLINDER SEALS KIT D.50
45	240122	KIT GUARNIZIONI CIL. D95	CYLINDER SEALS KIT D.95
46	5-102958	CILINDRO VERTICALE SOLL. D.50	VERTICAL LIFT CYLINDER D.50
47	5-102960	CILINDRO D.95 SOLLEVATORE	LIFT CYLINDER D.95
48	5-104543	SUPPORTO RACHETTA + BOCCOLE	SUPPORT RACKET WITH BUSHING
49	5-104544	RACCORDO 1/8 CON STROZZ. D.1,5	FITTING 1/8 WITH CHOKE D.1,5
50	5-104548	RACCORDO 1/8 CON STROZZ. D.1,75	FITTING 1/8 WITH CHOKE D.1,75



ref.	cod.	descrizione	description
1	2-01106	DADO ES.N A.7473 6S ZI M14	NORMAL AUTO LOCKING HEXAGON NUT M14
2	2-02167	VTBEI ISO7380 BR M 5X 10	SCREW HEXAGON SOCKET HEAD CONVEX M 5X10
3	2-02272	MOLLA A TAZZA UNI8737-C 40 GR2	SPRING CUP C40 GR2
4	2-80122	VTBEI ISO7380 ZN M 5X 30	SCREW HEXAGON SOCKET HEAD CONVEX M 5X30
5	4-102536	RONDELLA D 30,5X50X2	WASHER D.30,5X50X2
6	4-107872	COLONNA CONSOLLE	CONSOLLE COLUMN
7	4-107873	VASCHETTA	TRAY
8	4-107876	PORTA VASCHETTA	TRAY SUPPORT
9	4-108549	BRACCIO ORIZZONTALE	ORIZONTAL ARM
10	4-111301	PERNO BRACCIO CONSOLLE	CONSOLLE ARM PIN
11	421096	GHIERA AUTOBLOCCANTE M30X1,5	LOCKING RING M30X1,5
12	4-112445	CHIUSURA SUP.COLONNA CONSOLLE	COLUMN UPPER CONSOLE
<b>13</b>	<b>5-105058</b>	<b>GRUPPO HMI-MANOMETRO BAR</b>	<b>BAR HMI-GAUGE GROUP</b>
13	5-103019	GRUPPO HMI-MANOMETRO BAR/PSI	BAR/PSI HMI-GAUGE GROUP
14	5-103021	GRUPPO PLANCIA COMANDI	COMMANDS CONTROL GROUP

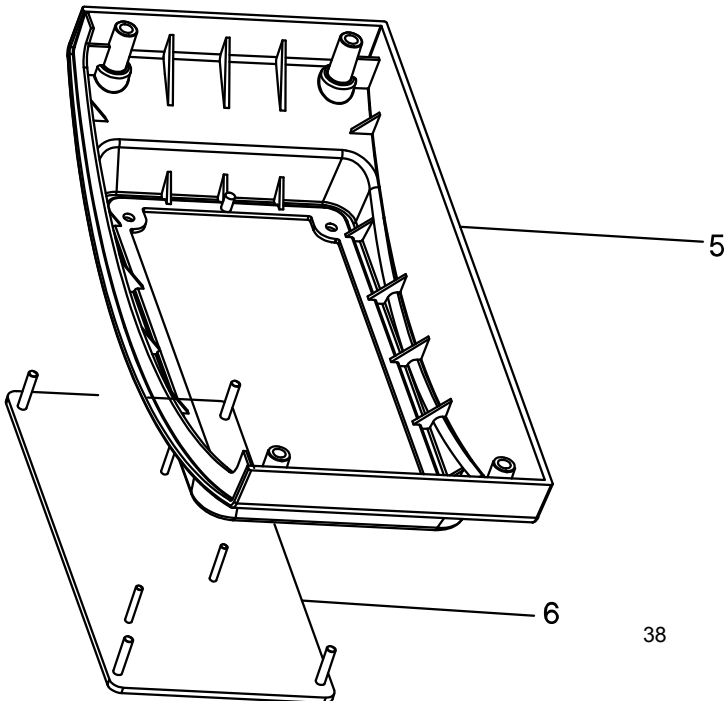
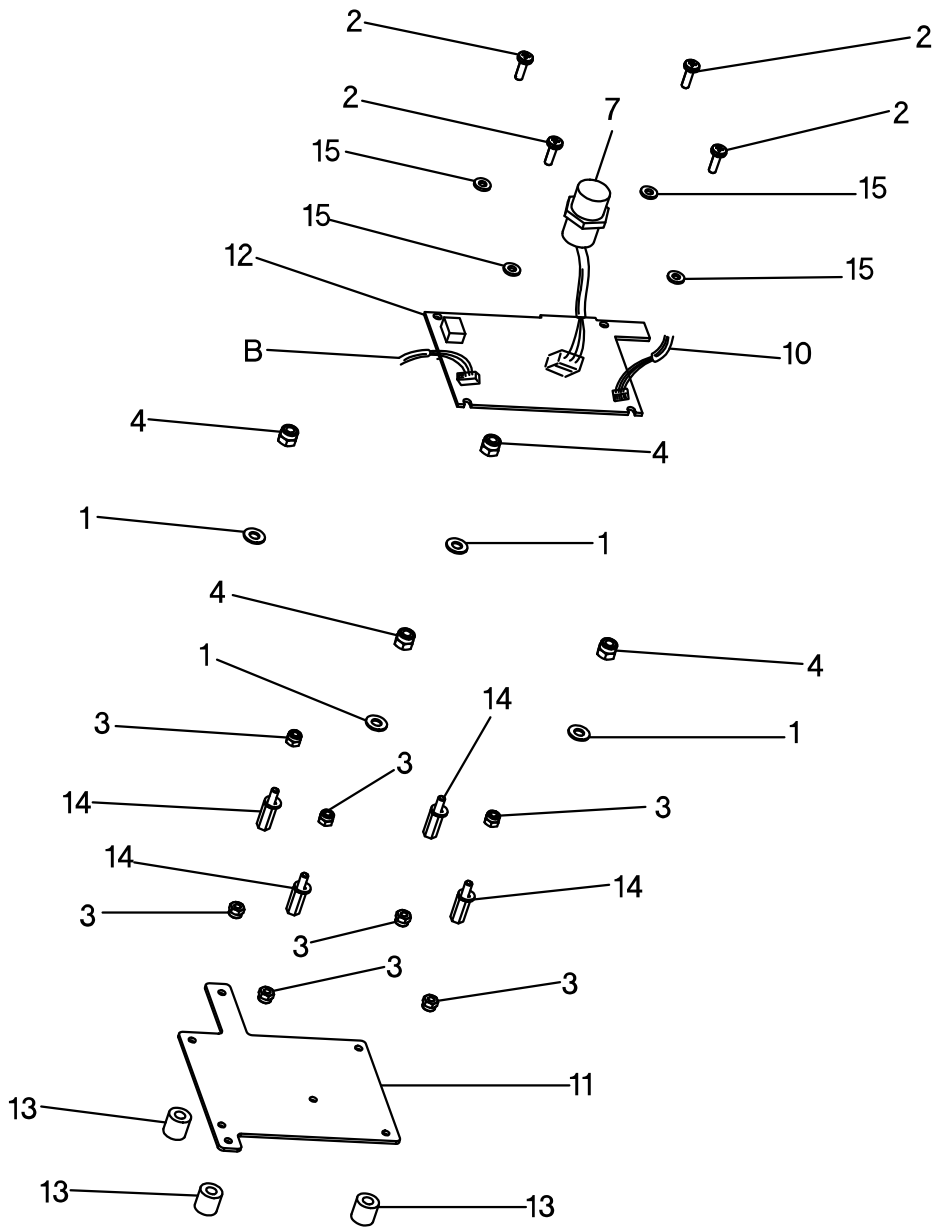


ref.	cod.	descrizione	description
1	2-00209	RONDELLA 6592-TE-4-100HV ZI	WASHER D.4
2	2-00285	VTCEI 4762 8.8 BR M 3X 8	HEXAGON SOCKET HEAD SCREW M3X8
3	2-01017	DADO ES.N A.7473 6S ZI M 3	NORMAL AUTO LOCKING HEXAGON NUT M 3
4	2-01018	DADO ES.N A.7473 6S ZI M 4	NORMAL AUTO LOCKING HEXAGON NUT M 4
5	235463	VALVOLA SGONFIAGGIO	DEFLATION VALVE
6	3-00055	RACCPN-LO-G1/4G-T8	FITTING-LO-G1/4G-T8
7	3-00449	RONDELLA ALLUMINIO 1/4"	ALUMINIUM WASHER 1/4
<b>8</b>	<b>3-00486</b>	<b>MANOM.D80 POST.1/4" 0-10 BAR</b>	<b>GAUGE D.80 REAR 1/4 0-10 BAR</b>
8	3-00490	MANOM.D80 POST.1/4" 0-10 B/P	GAUGE D.80 REAR 1/4 0-10 BAR/PSI
10	3-02708	PRESA DA PANN.CON PORTA USB+CAVO	CABLE WITH USB PANEL SOCKET
A	4-107112	CAVO 2X1 L500 2P-C.PHOENIX	CABLE 2X1 L500 WITH PHOENIX CONNECTOR
12	4-107874	PORTA ACCESSORI DOPPIO	DOUBLE TRAY ITEMS
13	4-108553	ADESIVO PANNELLO DISPLAY/MANOM.	DISPLAY PANEL/GAUGE STIKER
14	4-108555	CARRIER BOARD + IMX27	CARRIER BOARD
15	4-108556	DISPLAY 7" + TOUCH PANNEL	DISPLAY 7" WITH TOUCH PANNEL
17	4-112417	TELAIO PORTA LCD-HMI	LCD-HMI SUPPORT
18	4-112443	MOUSSE APPOGGIO LCD	FOAM SUPPORT LCD
19	4-112444	SUPPORTO CARRIER BOARD	CARRIER BOARD SUPPORT
20	4-112449	SUPPORTO MANOMETRO HMI	GAUGE HMI SUPPORT
21	4-112606	FLAT 40 PIN FFC PER LCD	40 PIN CABLE FLAT FOR LCD
22	418386	MORSETT.MAMMUT-2,5-N.12 CONT.	TERMINAL WITH 12 CONTACT
23	449005	DIST.ES.M/F M4 MF10 H 4070 12	HEXAGON SPACER M/F M4
24	449388	DIST.ES.M/F M3 MF10 H 3050 12	HEXAGON SPACER M/F M3
25	3-03276	SD CARD 4GB VERGINE	SD CARD 4GB (EMPTY)

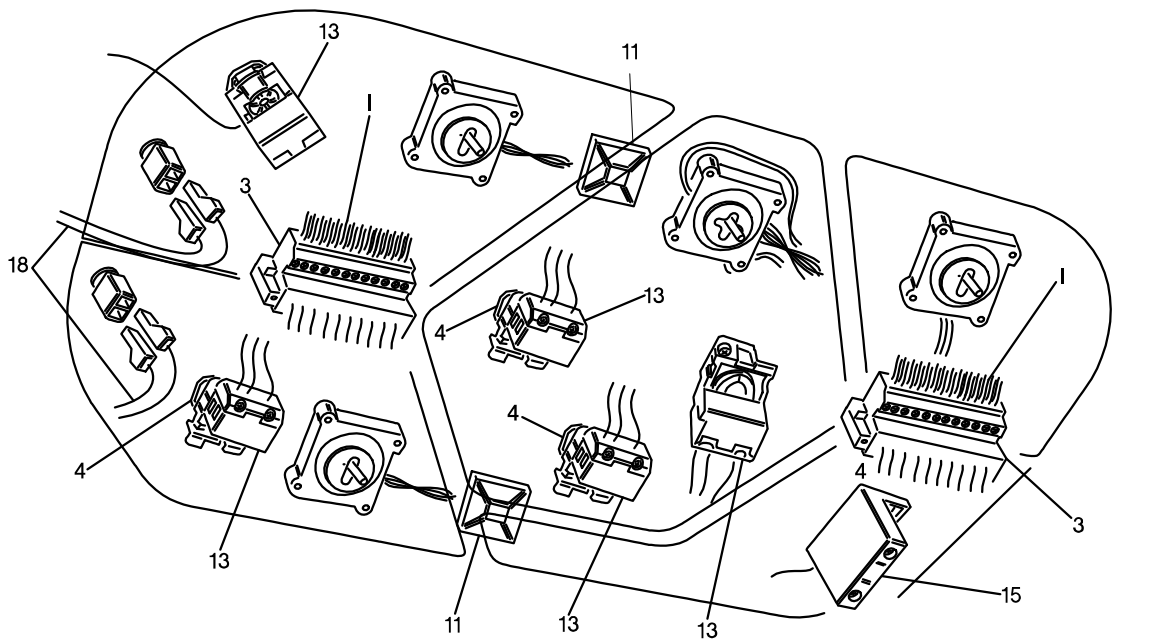
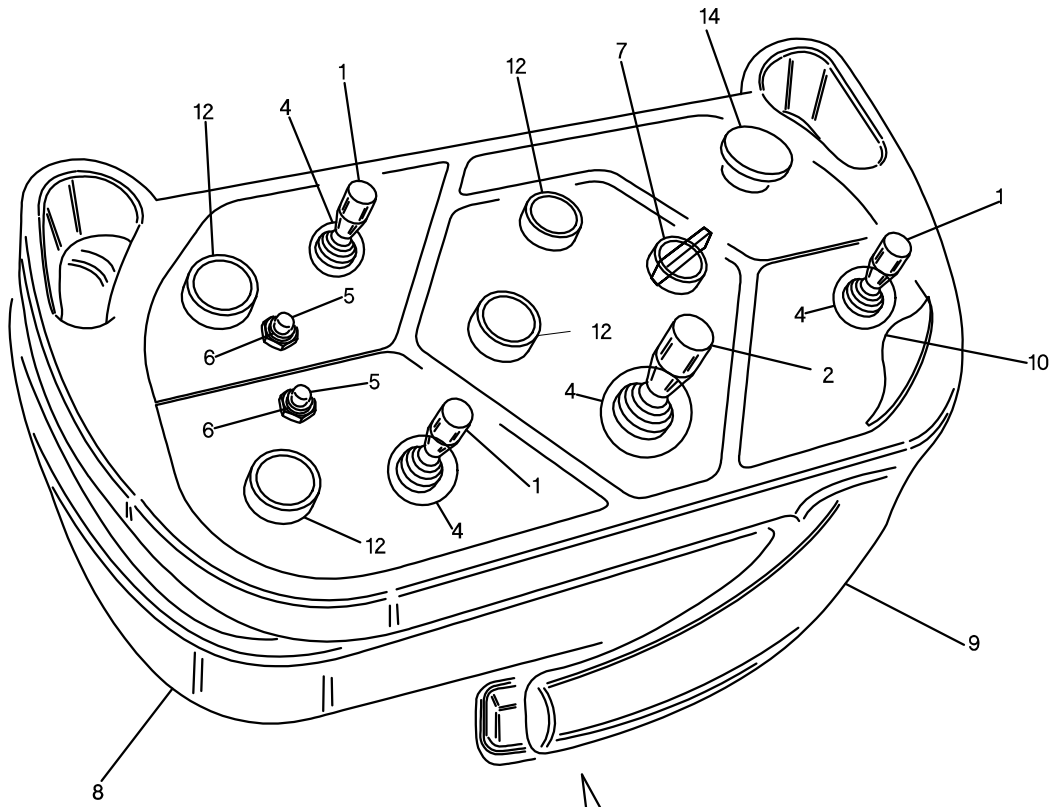


ref.	cod.	descrizione	description
1	2-00209	RONDELLA 6592-TE-4-100HV ZI	WASHER D.4
2	2-01017	DADO ES.N A.7473 6S ZI M 3	NORMAL AUTO LOCKING HEXAGON NUT M 3
3	2-01018	DADO ES.N A.7473 6S ZI M 4	NORMAL AUTO LOCKING HEXAGON NUT M 4
4	2-02588	VTCEI 4762 8.8 BR M 4X 35	HEXAGON SOCKET HEAD SCREW M 4X 35
5	3-00049	RACCPN-LO-G1/8G-T8	FITTING-LO-G1/8G-T8
6	3-00053	RACCPN-LO-G1/8G-T6	FITTING-LO-G1/8G-T6
7	3-00138	RACCPN-L-G1/8C-F	FITTING-L-G1/8C-F
8	3-00150	RACCPN-L-C8-T8	FITTING-L-C8-T8
9	3-00380	ELETTROVALVOLA PN 3/2VIE 1/8"	ELECTRIC VALVE 3/2 WAY 1/8"
10	3-00413	SOLENOIDE VALVOLA 24VDC 5W	SOLENOID 24VDC 5W
11	3-00414	CORPO ELETTROVALVOLA 1/8" N.C.	ELECTRIC VALVE BODY 1/8" N.C.
12	3-00464	RACCPN-D-G1/8G-T8	FITTING-D-G1/8G-T8
13	3-01199	RACCPN-L-G1/8G-M	FITTING-L-G1/8G-M
14	3-01731	RACCPN-X-G1/8FFF-M	FITTING-X-G1/8FFF-M
15	3-02005	DISTANZ.CIL.NO FILETT. PLAST. 3,5X7,0 L7	NOT THREADED PLASTIC SPACER D.3,5X7 L7
16	4-104205	DIST.ES.M/F M4 MF10 H 4070 40	HEXAGONAL SPACER M/F M4 MF10 H 4070 40
17	4-107875	PORTA ACCESSORI SINGOLO	SINGLE TRAY ITEMS
18	4-108563	TELAIO PORTA SCHEDE	BOARD SUPPORT
19	4-108565	PANNELLO INFLATRON	INFLATRON PANEL
20	468976	RONDELLA D.3,3X7X1	WASHER D.3,3X7X1
21	4-108564	SCHEDA INFLATRON	INFLATRON BOARD
22	4-400786	CAVO ALIMENTAZIONE BOBINE	POWER CABLE REELS
23	5-103006	CAVO SCHEDA HMI - INFLATRON	HMI CABLE BOARD-INFLATRON

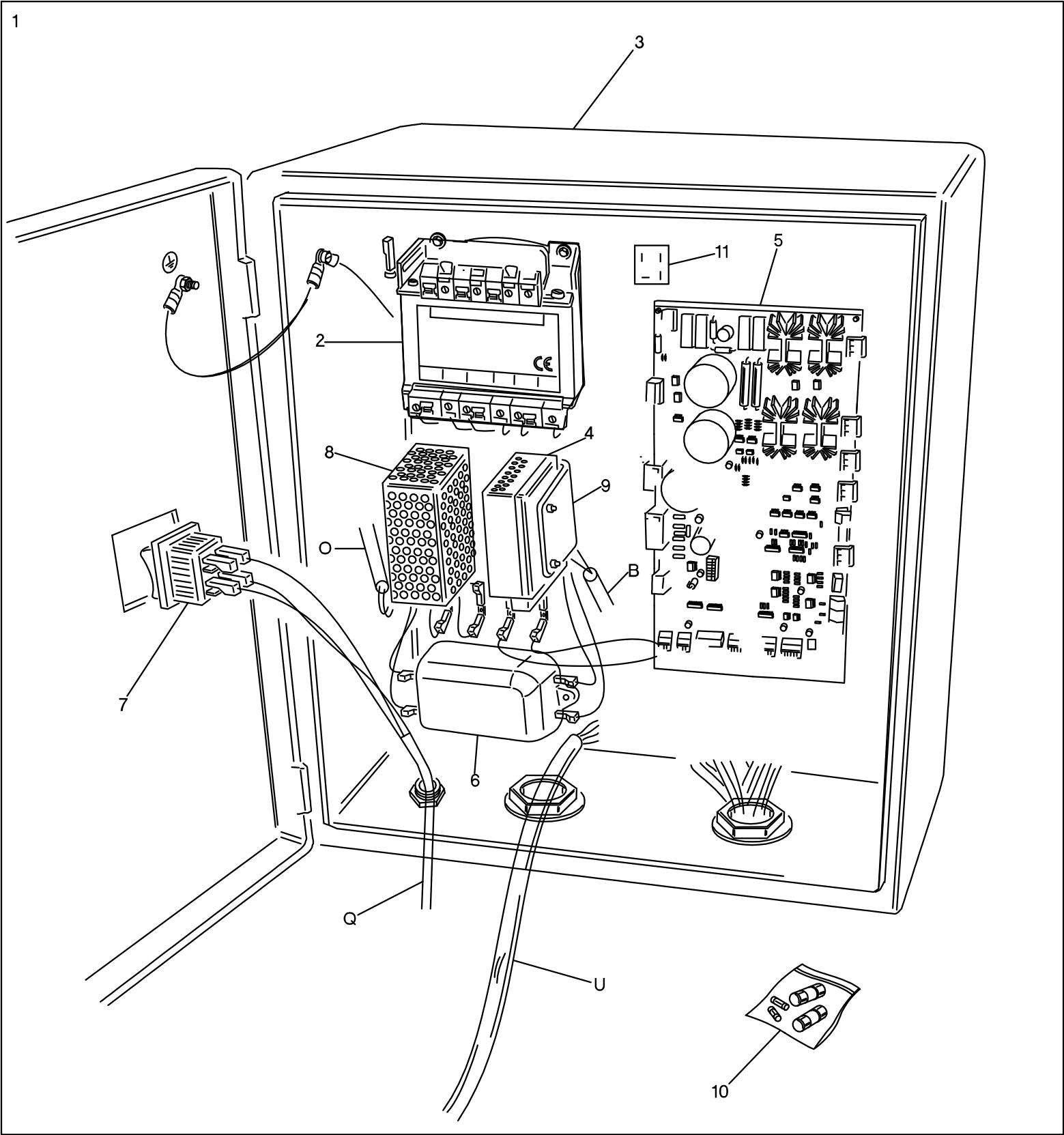




ref.	def.	descrizione	description
1	2-00209	RONDELLA 6592-TE-4-100HV ZI	WASHER D.4
2	2-00579	VTCIC 7687 PZ ZI M 3 X10	HEAD SCREW Phillips M3X30
3	2-01017	DADO ES.N A.7473 6S ZI M 3	NORMAL AUTO LOCKING HEXAGON NUT M 3
4	2-01018	DADO ES.N A.7473 6S ZI M 4	NORMAL AUTO LOCKING HEXAGON NUT M 4
5	4-107875	PORTA ACCESSORI SINGOLO	SINGLE TRAY ITEMS
6	4-108567	PANNELLO TPMS	TPMS PANEL
7	4-108568	CONNETT. SONDA TPMS + CAVO + DADO	PROBE CONNECTOR FOR TREAD WITH CABLE
8	4-108569	SONDA PORTATILE TPMS + CAVO	PORTABLE SENSOR TPMS WITH CABLE
B	4-113695	CAVO ALIMENT. 12V (12VDC-TPMS)	POWER CABLE 12V (12VDC-TPMS)
10	4-113696	CAVO SK HMI HIROSE 24C/MOLEX 5C	BOARD CABLE HMI HIROSE 24C/MOLEX 5C
11	4-113702	SUPPORTO SK TPMS	TPMS BOARD SUPPORT
12	4-113724	SCHEDA TPMS	TPMS BOARD
13	438996	DIST.CIL.NO FILETT.PLAST. 4,5X9,5 L9,5	NOT THREADED PLASTIC SPACER D.4,5X9,5 L9,5
14	449388	DIST.ES.M/F M3 MF10 H 3050 12	HEXAGONAL SPACER M/F M3 MF10 H 3050 12
15	468976	RONDELLA D. 3.3X7X1 FIBRA	WASHER D.3,3X7X1



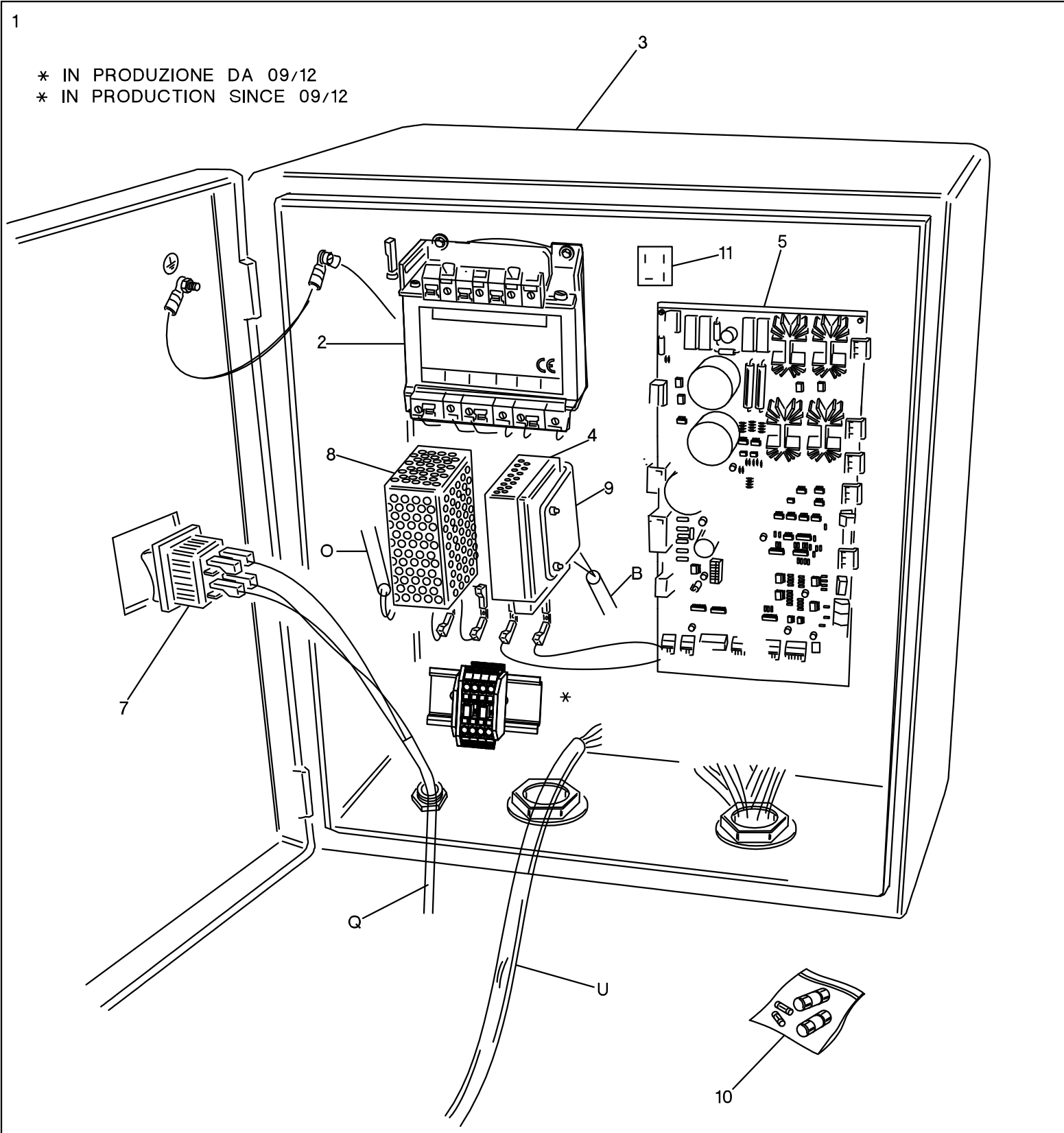
ref.	cod.	descrizione	description
1	3-00472	JOYSTICK 1 ASSE VELCO 1D1-5F-15-263	JOYSTICK ONE ACE VELCO 1D1-5F-15-263
2	3-00473	JOYSTICK 2 ASSI CON PULS. VELCO	JOYSTICK TWO AXIS WITH VELCO BUTTON
3	3-00506	CONN. PHOENIX MCVU-1.5/12-GFD-3.81	PHOENIX CONNECTOR WITH SCREW
4	3-00702	GHIERA M22X1 ZINC.	NUT M22X1
5	3-03083	PULSANTE NA OMEGA	OMEGA NO BUTTON
6	3-03086	PROTEZIONE IN GOMMA PULS.OMEGA	PROTECTION RUBBER FOR OMEGA BUTTON
7	4-100013	SELETT.LEVA CORTA 2 posizioni monosta.	SELCTOR RAISES SHORT
8	4-107877	PLANCIA COMANDI INFERIORE	LOWER CONSOLLE COVER
9	4-107878	PLANCIA COMANDI SUPERIORE	UPPER CONSOLLE COVER
10	4-108570	PANNELLO SERIGRAFIA COMANDI	ADHESIVE CONSOLLE PANEL
11	422220	BASETTA AUTOADESIVA	BASE ADHESIVE
12	461842	PULSANTE PROT.RM 010 NERO AZ	BLACK BUTTON
1	5-102990	CAVO COLL.TO SK.-CONSOLLE	BOARD CABLE-CONSOLLE
13	461843	ELEMENTO NO PER MICORVALVOLE	ELEMENT OF CONTACT NO FOR MICROVALVES
14	485597	PULSANTE A FUNGO ROSSO	PULSANTING TO RED MUSHROOM
15	485598	BLOCCHETTO CONTATTI NC	NC CONTACTS BLOCK
17	5-103021	PLANCIA COMANDI COMPLETA	COMPLETE CONSOLLE COMMANDS
18	5-103778	CAVO COMUNE PULSANTI LUBRIF.	COMMON CABLE FOR LUBRIFICATORY BUTTON



ref.	cod.	descrizione	description
1	5-102985	IMPIANTO ELETTRICO COMPLETO	COMPLETE ELECTRICAL
2	461829	TRASF.ALIM.ART-MASTER	POWER TRANSFORMER
3	4-108503	CASSETTA ELETTRICA FORATA	ELECTRICITY BOX PERFORATED
4	4-111655	ALIMENT.TPMS 12VDC (RS-50-12)	TPMS POWER SUPPLY (RS-50-12) 12 VDC
5	4-108517	SK. EL. P3K	P3K CPU BOARD
6	4-109914	FILTRO RETE 3P/SF+0 - FASTON	FILTER 3P/SF +0 - FASTON
7	433848	INTERRUTT.BIPOL.A BASCULA	BIPOLAR SWITCH
8	4-108516	ALIM X CONSOL 24VDC (RS-50-24)	CONSOLLE POWER SUPPLY 24VDC (RS-50-24)
9	4-111997	SUPPORTO ALIM.TPMS	TPMS POWER SUPPLY SUPPORT
10	5-103626	KIT FUSIBILI	FUSE KIT
11	4-103762	RADDRIZZATORE SK P3K	RECTIFIER
B	4-113695	CAVO ALIMEN. 12V (12VDC-TPMS)	POWER CABLE 12V (12VDC-TPMS)
O	5-103003	CAVO ALIM CONSOL 24VDC(24VDC)	CABLE POWER CONSOLE 24V DC (24VDC)
Q	5-100654	CAVO NEOP.3X2,5 L4700 3P/3F	POWER CABLE 3X2,5 L.4700 3P/3F
U	5-100849	CAVO ALIMENT. MOTOINVERTER	MOTOINVERTER POWER CABLE

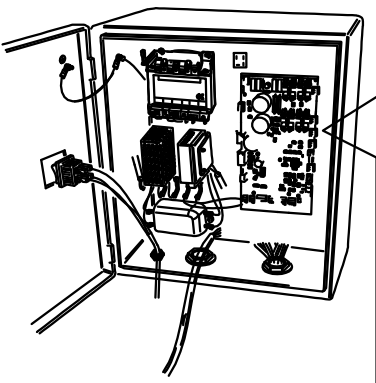
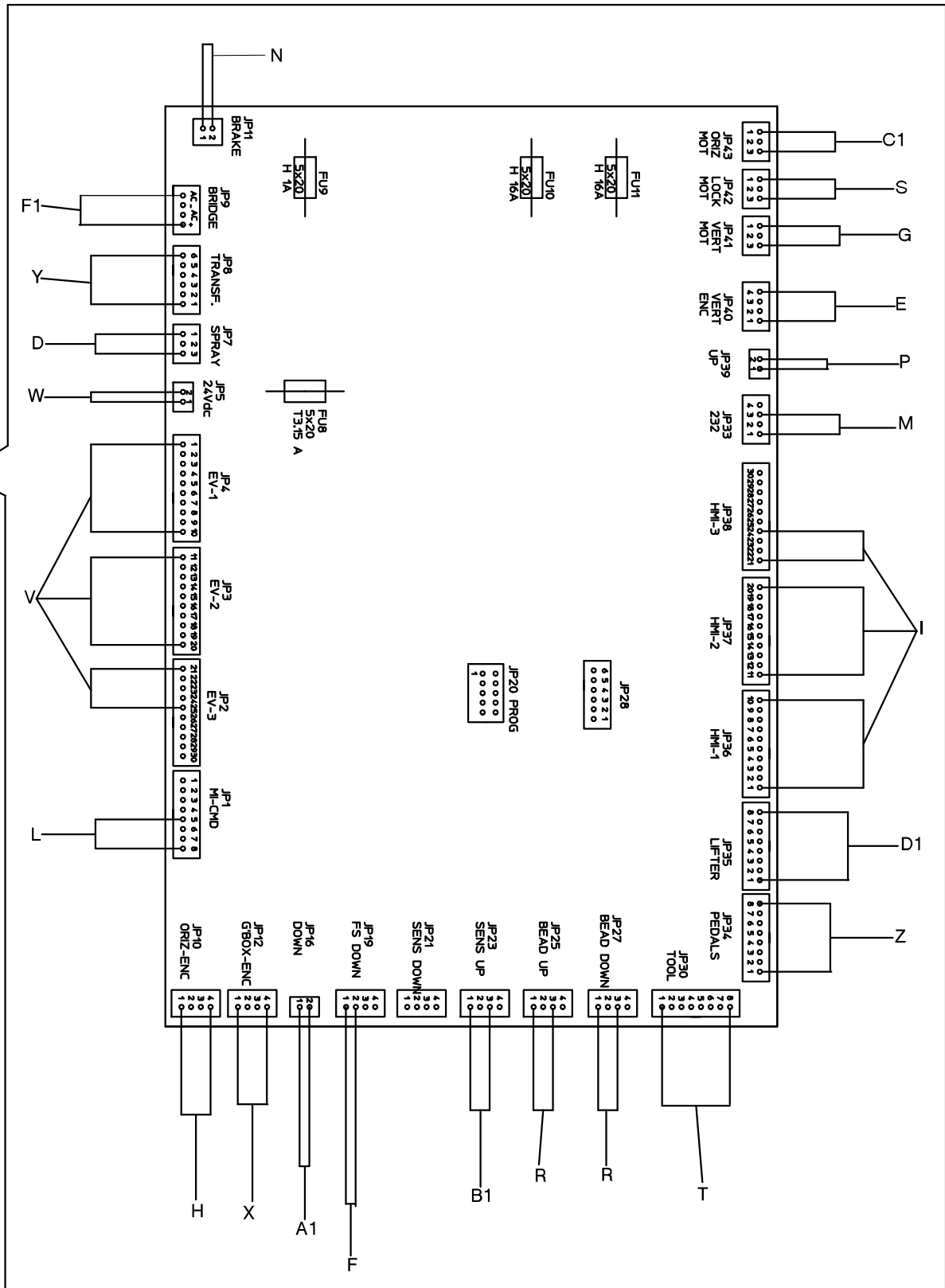
1

\* IN PRODUZIONE DA 09/12  
\* IN PRODUCTION SINCE 09/12



ref.	cod.	descrizione	description
1	5-102985	IMPIANTO ELETTRICO COMPLETO	COMPLETE ELECTRICAL
2	461829	TRASF.ALIM.ART-MASTER	POWER TRANSFORMER
3	4-108503	CASSETTA ELETTRICA FORATA	ELECTRICITY BOX PERFORATED
4	4-111655	ALIMENT.TPMS 12VDC (RS-50-12)	TPMS POWER SUPPLY (RS-50-12) 12 VDC
5	4-108517	SK. EL. P3K	P3K CPU BOARD
7	433848	INTERRUTT.BIPOL.A BASCULA	BIPOlar SWITCH
8	4-108516	ALIM X CONSOL 24VDC (RS-50-24)	CONSOLLE POWER SUPPLY 24VDC (RS-50-24)
9	4-111997	SUPPORTO ALIM.TPMS	TPMS POWER SUPPLY SUPPORT
10	5-103626	KIT FUSIBILI	FUSE KIT
11	4-103762	RADDRIZZATORE SK P3K	RECTIFIER
B	4-113695	CAVO ALIMEN. 12V (12VDC-TPMS)	POWER CABLE 12V (12VDC-TPMS)
O	5-103003	CAVO ALIM CONSOL 24VDC(24VDC)	CABLE POWER CONSOLE 24V DC (24VDC)
Q	5-100654	CAVO NEOP.3X2,5 L4700 3P/3F	POWER CABLE 3X2,5 L.4700 3P/3F
U	<b>5-105010</b>	<b>CAVO ALIMENT. MOTOINVERTER</b>	<b>MOTOINVERTER POWER CABLE</b>

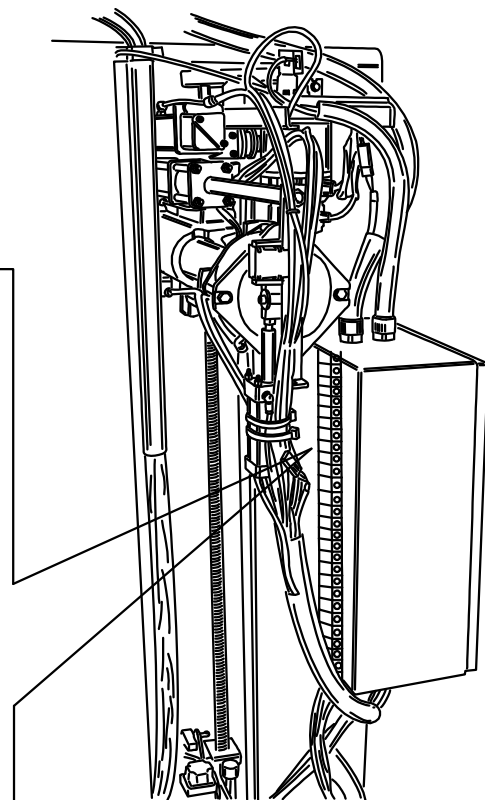
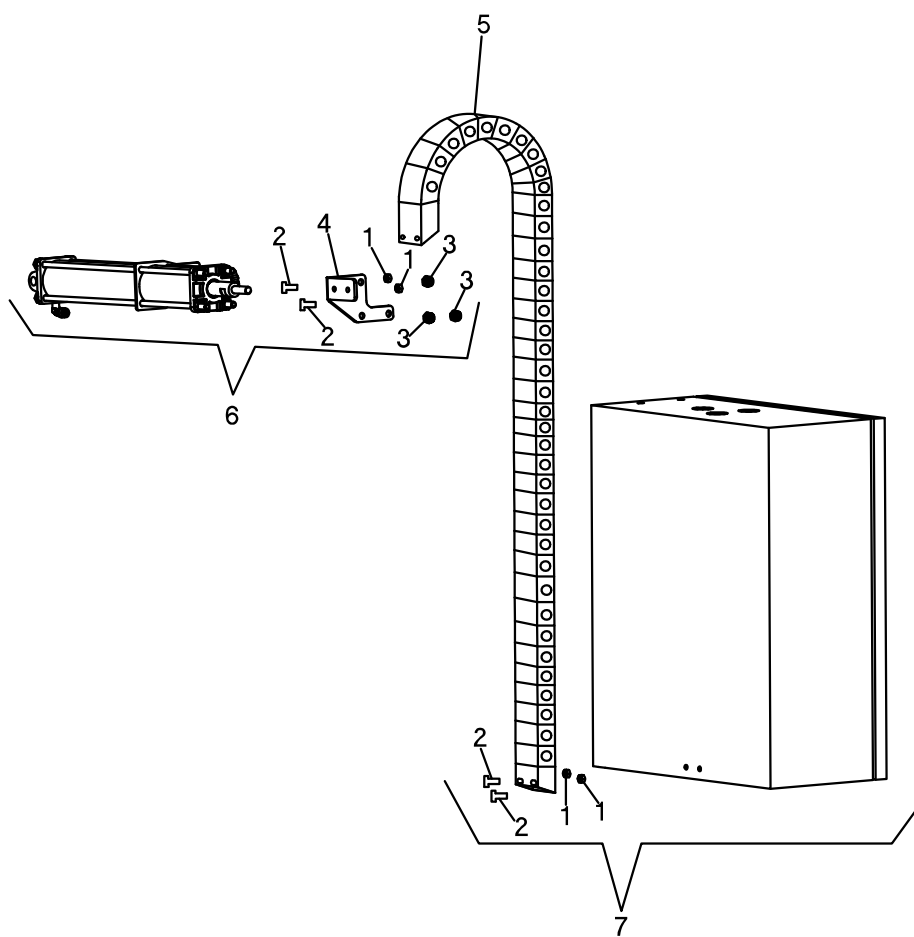




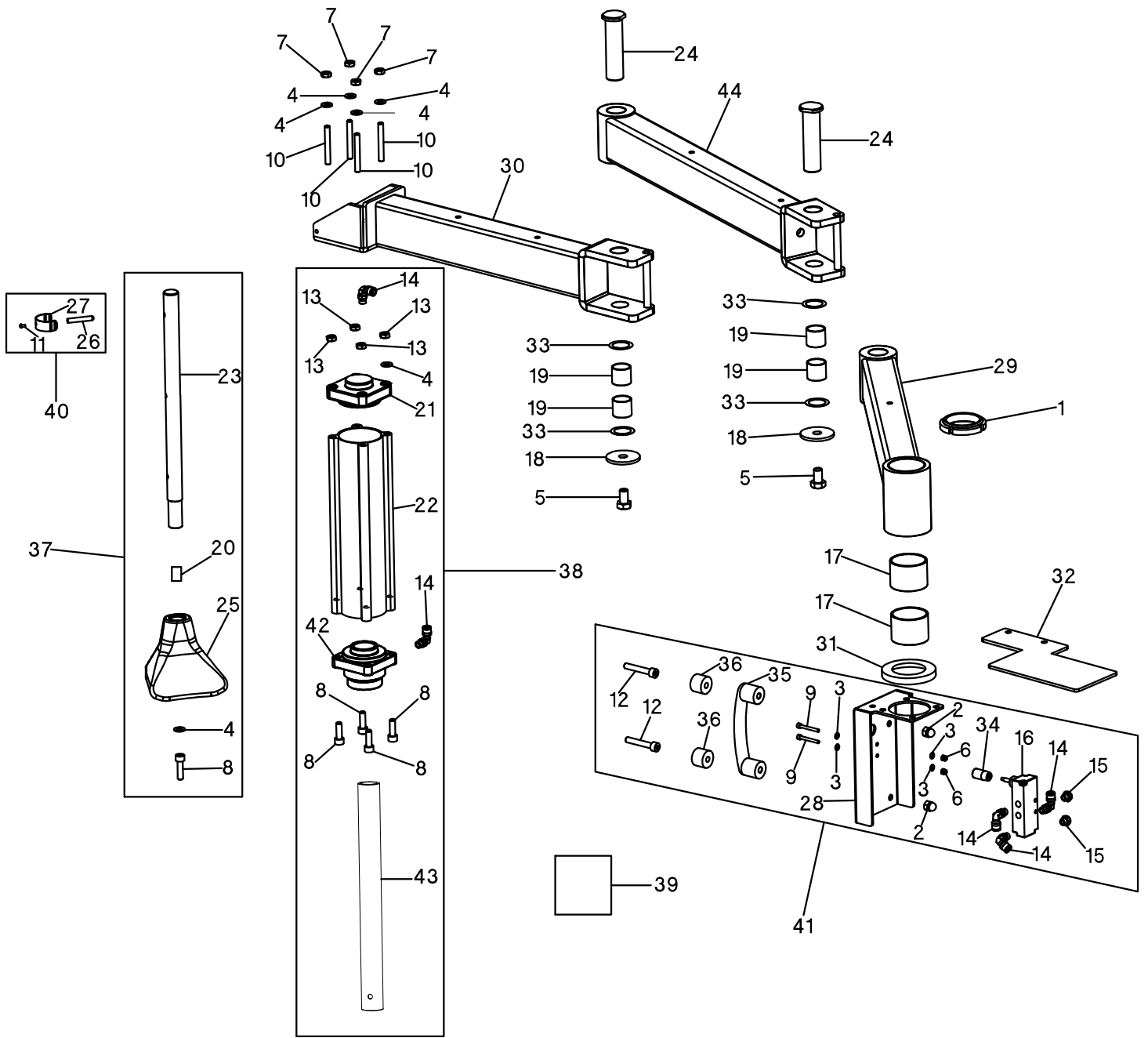
ref.	cod.	descrizione	description
D	4-111671	CAVO SK - ALIM.POMPE (SPRAY)	CABLE BOARD - POWER PUMPS (SPRAY)
E	5-102997	CAVO SK.- ENC ASSE Y (VERT ENC)	CABLE BOARD - Y AXIS ENCODER (VERT ENC)
F	4-112659	CAVO SK-PRESSOST.(PRESSURE)	CABLE BOARD - PRESSURE (PRESSURE)
G	5-102988	CAVO SK-MOT ASSEY(VERTMOT)	CABLE BOARD - POWER MOTOR Y AXIS (VERT MOT)
H	5-102989	CAVO SK.-ENC. ASSE X (ORIZ ENC)	CABLE BOARD - X AXIS ENCODER (ORIZ ENC)
I	5-102990	CAVO SK.-CONSOLLE	CABLE BOARD - CONSOLLE
L	5-102993	CAVO SK-COMANDI MI (MI-CMD)	CABLE BOARD- CONTROLS MOTOINVERTER (MI-CMD)
M	5-102994	CAVO SK-CARRIER BOARD(232)	SERIAL CABLE BOARD - CARRIER BOARD (232)
N	5-102995	CAVO COLL. SK-BRAKE Y (BRAKE)	CABLE BOARD - Y BRAKE (BRAKE)
P	5-103004	CAVO SK. - MICRO Y UP (UP)	CABLE BOARD - MICRO Y UP (UP)
R	5-102986	CAVO SK-POTENZ STALL. (BEAD)	CABLE BOARD - POTENTIOMETER BEAD (BEAD)
S	5-103583	CAVO SK-MOT.AUT(LOCK-MOT)	CABLE BOARD-TURNTABLE MOTOR POWER (LOCK-MOT)
T	5-103584	CAVO SK- MICRO TEST UT. (TOOL)	CABLE BOARD - MICRO TOOL HEAD (TOOL)
V	4-111322	CAVO ELETTR. 3MT EV1-EV2-EV3	SOLENOID CABLE 25 PIN IP65 3MT (EV1-EV2-EV3)
Z	5-102991	CAVO SK.-PEDALIERA (PEDALS)	CABLE BOARD - PEDALS GROUP
W	4-107112	CAVO 2X1 L500 2P-C.PHOENIX	CABLE 2X1 L500-2P C.PHOENIX
X	4-112325	CAVO SK-SENS. REED (G BOX ENC)	CABLE BOARD - SENSOR REED (G BOX ENC)
Y	5-101471	CAVO SECOND. TRASF.-SCHEDA	TRANSFORMER SECONDARY CABLE
A1	5-103694	CAVO SK-MICRO Y DOWN(DOWN)	CABLE BOARD - Y DOWN MICRO (DOWN)
B1	4-106785	CAVO SK-LASER (SENS UP)	CABLE BOARD - UPPER TRIANGULAR (SENS UP)
C1	5-102987	CAVO SK-ATT. ASSE X(ORIZ.MOT)	CABLE BOARD - X AXIS POWER ACTUATOR (ORIZ MOT)
D1	5-103582	CAVO-SOL/MICRO AZZ.OR(LIFTER)	CABLE BOARD-ORIZONTAL MICRO RESET/LIFTER (LIFTER)
F1	4-115232	CAVO RADDRIZZATORE	RECTIFIER CABLE

IN PRODUZIONE DA 09/12

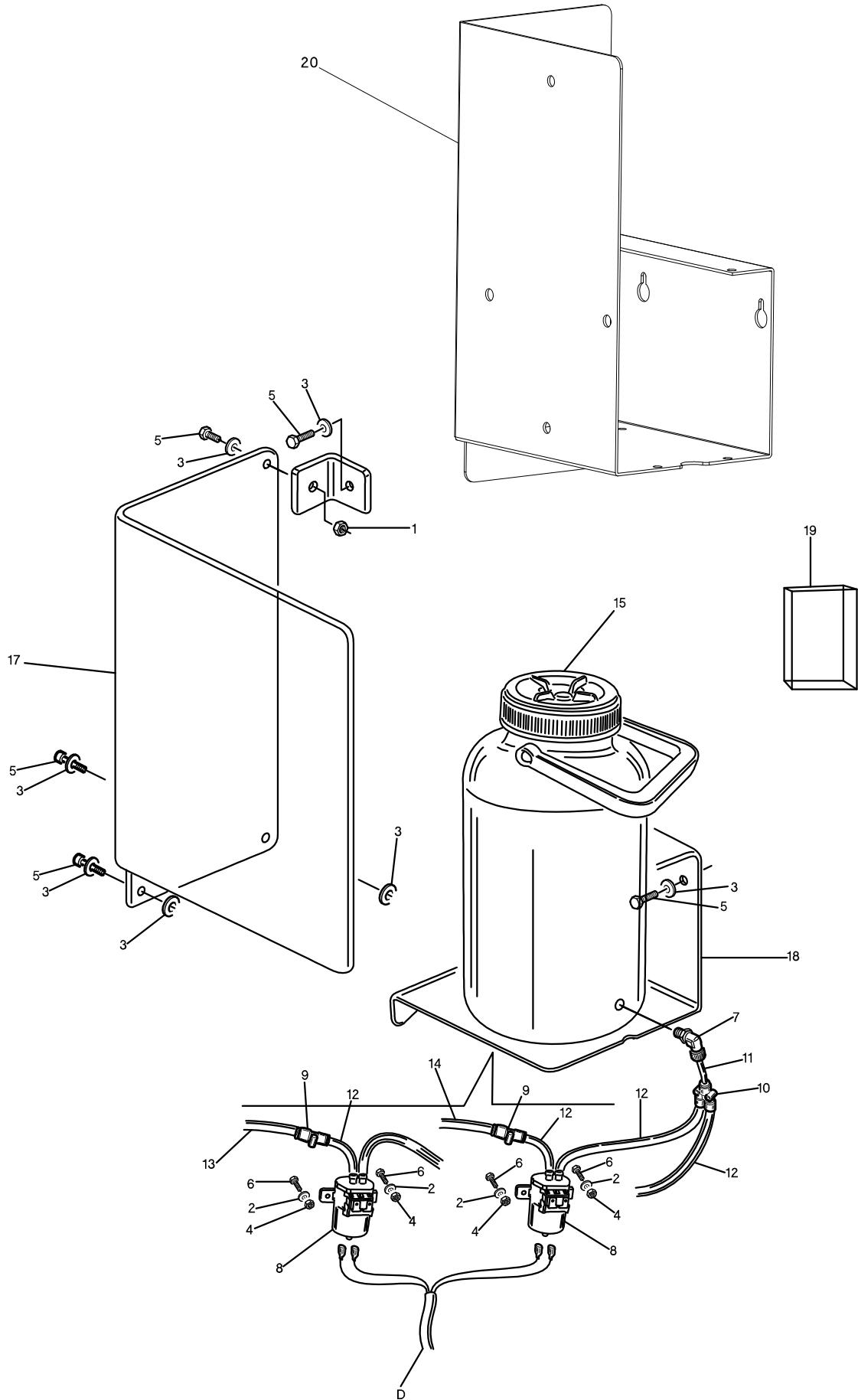
IN PRODUCTION SINCE 09/12



ref.	cod.	descrizione	description
1	2-00146	DADO ES.N 5588 6S ZI M 6	NORMAL HEXAGON NUT M6
2	2-00309	VTCEI 4762 8.8 BR M 6X 16	HEXAGON SOCKET HEAD SCREW M6X16
3	2-00723	DADO ES.N 5588 6S ZI M 8	NORMAL HEXAGON NUT M8
4	4-115405	LAMIERA SUPPORTO CATENA	SUPPORT PLATE CHAIN
5	4-115410	CATENA PORTACAVI	CABLE DRAG CHAIN
6	5-102979	CILINDRO TRASLAZ.TESTINA CPL	COMPLETE TRANSLATION TOOL CYLINDER
7	5-102985	IMPIANTO ELETTRICO COMPLETO	COMPLETE ELECTRICAL

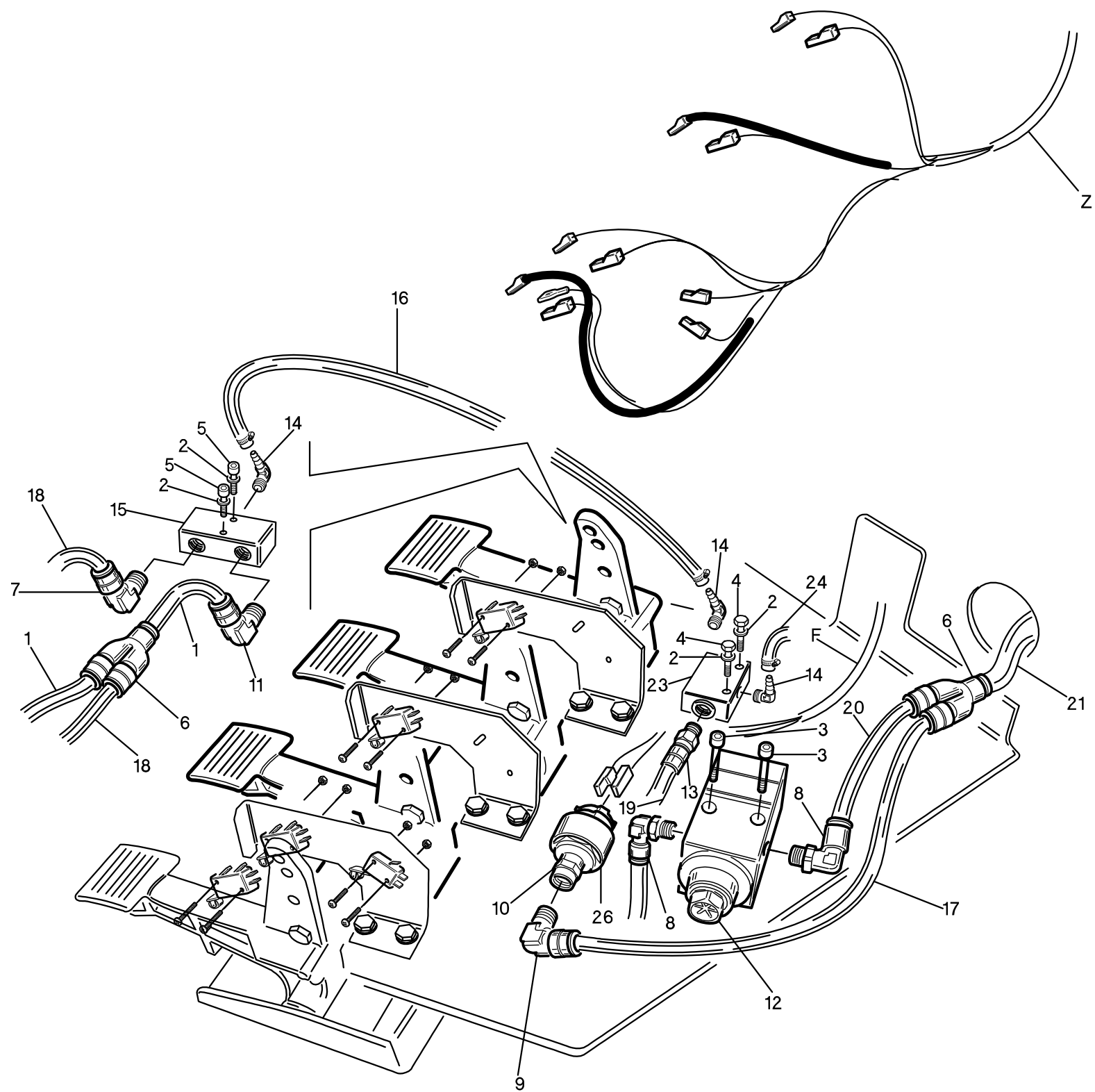


ref.	cod.	descrizione	description
1	2-00030	GHIERA AUTOBLOCCANTE	LOCKING RING M50X1,5
2	2-00105	DADO ES.CIECO 5721 5S ZI M 8	HEXAGON NUT BLIND M 8
3	2-00209	RONDELLA 6592-TE-4-100HV ZI	WASHER D.4
4	2-00212	RONDELLA 6592-TE-8-100HV ZI	WASHER D.8
5	2-00386	VTE 5739 8.8 BR M12X 20	HEXAGON HEAD SCREW M 12X 20
6	2-01018	DADO ES.N A.7473 6S ZI M 4	NORMAL AUTO LOCKING HEXAGON NUT M 4
7	2-01020	DADO ES.N A.7473 6S ZI M 8	NORMAL AUTO LOCKING HEXAGON NUT M 8
8	2-02006	VTCEI 4762 8.8 ZI M 8X 25	HEXAGON SOCKET HEAD SCREW M 8X 25
9	2-02022	VTCEI 4762 8.8 ZI M 4X 35	HEXAGON SOCKET HEAD SCREW M 4X 35
10	2-02683	VSTEI 5923 P.PA. BR M 8X 60	CONTERSUNK HEAD SCREW HEXAGON SOCKETM8X60
11	2-03428	VTBEI ISO7380 ZI M 3X 6	SCREW HEXAGON SOCKET HEAD CONVEX M3X6
12	2-80015	VTCEI 4762 8.8 ZI M 8X 50	HEXAGON SOCKET HEAD SCREW M 8X 50
13	2-91680	DADO ES.B 5589 6S ZI M 8	LOW HEXAGON NUT M 8
14	3-00053	RACCPN-LO-G1/8G-T6	FITTING-LO-G1/8G-T6
15	3-00181	SILENZIATORE-G1/8 FILI ACCIAIO	STTEEL SILENCER G1/8
16	3-00371	VALVOLA PN.AZ.MAN.5VIE 1/8"	PNUMATIC VALVE FIVE WAY 1/8
17	3-01162	BOCC.AUT.RAD.DU50X40	BUSHING DU50X40
18	318216	RONDELLA D 12,5X50X4	WASHER D.12,5X50X4
19	3-80106	BOCC.AUT.RAD.DU25X25	BUSHING DU25X25
20	4-103846	DISTANZIALE PREMITALLONE	BEAD SPACER
21	4-106788	FLANGIA INFERIORE D.63	REAR FLANGE D.63
22	4-106790	CAMICIA CIL. D.63X277,5	CYLINDER LINER D.63X277,5
23	4-106794	STELO INTERNO REGOLABILE	INTERNAL ADJUSTABLE STEM
24	4-106799	PERNO SNODO	ENDS PIN
25	4-106888	PREMITALLONE SAGOMATO	BEAD SHAPED
26	4-107514	SPINA DI FERMO	LOCKING PLUG
27	4-107516	MOLLA DI FERMO A 180°	SPRING RETAINER
28	4-111559	SUPPORTO MANIGLIA	HANDLE SUPPORT
29	4-111560	BRACCIO FULCRATO + BOCC.	FULCRUM ARM WITH BUSHES
30	4-111564	BRACCIO PORTA CILINDRO	CYLINDER ARM SUPPORT
31	4-111572	RONDELLA APPOGGIO PREMIT.	SUPPORT WASHER BEAD
32	4-111573	LAMIERA DI FERMO	REATAINER PLATE
33	425352	RONDELLA ACC.D. 25X35X0,2	WASHER D.25X35X0,2
34	440585	IMPUGNATURA	HANDLE
35	458702	MANIGLIA A PONTE	HANDLE
36	461626	DISTANZIALE MANIGLIA	HANDLE SPACER
37	5-102363	PREMITALLONE	BEAD
38	5-102369	CILINDRO D.63	BEAD CYLINDER D.63
39	5-102410	KIT GUARN.CILIN. D.63	CYLINDER SEALS KIT D.63
40	5-103287	PERNO DI FERMO CON CLIP	PIN WITH A CLIP
41	5-103593	MANIGLIA PREMITALLON CPL.	BEAD COMPLETE HANDLE
42	5-104568	FALNGIA SUP D.63 CON BOCCOLA	FRONT FLANGE D.63 WITH BUSHING
43	5-104569	STELO CON BOCCOLA	STEM WITH BUSHING
44	5-104570	BRACCIO ROT. CON BOCCOLE	CENTRAL ROTATION ARM WITH BUSHES

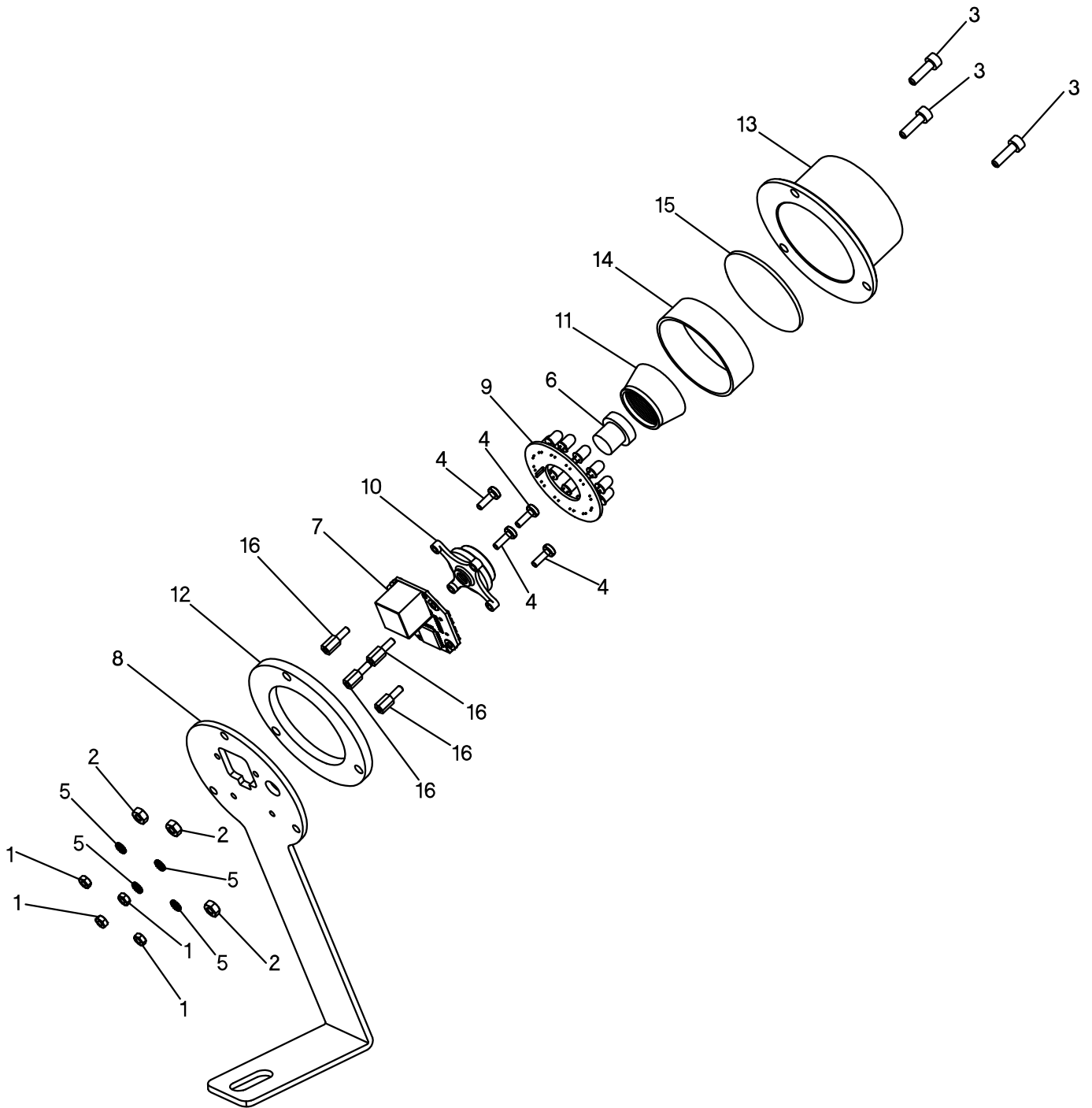


ref.	cod.	descrizione	description
D	4-111671	CAVO SK-ALIM.POMPE (SPRAY)	BOARD CABLE-POWER PUMPS (SPRAY)
1	2-00155	DADO ES.B 5589 6S BR M 6	LOW HEXAGON NUT M 6
2	2-00210	RONDELLA 6592-TE- 5-100HV ZI	WASHER D.5
3	2-00211	RONDELLA 6592-TE- 6-100HV ZI	WASHER D.6
4	2-01023	DADO ES.N A.7473 6S ZI M 5	NORMAL AUTO LOCKING HEXAGON NUT M 5
5	2-02378	VTCEI 4762 8.8 ZI M 6X 16	HEXAGON SOCKET HEAD SCREW M 6X 16
6	2-03003	VTCEI 4762 8.8 ZI M 5X 20	HEXAGON SOCKET HEAD SCREW M 5X 20
7	3-00027	RACCPN-LO-G1/8G-T6/4	FITTING-LO-G1/8G-T6/4
8	3-00502	POMPA MONODIREZIONALE 12V 58.108	ONE WAY PUMP 12V 58.108
9	3-01174	RACCPN-D-T4-T6	PLASTIC FITTING-D-T4-T6
10	3-01866	RACCPN-Y-T6 PLASTICA	PLASTIC FITTING-Y-T6
11	326021	TUBO PA11 RILS.NERO 6X1 L 4 CM	RYLSAN TUBE 6X1 L.4 CM
12	356730	TUBO ELASTOLLAN 6X1 L23 CM TRASP	ELASTOLAN TRASPARENT TUBE L.23CM
13	4-104969	TUBO L.1,9MT POMPA/SPRUZZ.INF.	RYLSAN TUBE L.1,9MT LOWER SPRAY/PUMP
14	4-107171	TUBO L.2,32MT POMPA/SPRUZZ.SUP.	RYLSAN TUBE L.2,32MT UPPER SPRAY/PUMP
15	4-111667	SERBATOIO LUBRIFICANTE FORATO (5L)	OIL TANK (5L)
17	4-113964	LAMIERA COPERTURA (FINO A 11/11)	COVER SHEET (UNTIL TO 11/11)
18	5-104623	LAMIERA SUPP.SERBATOIO(FINO A 11/11)	TANK SUPPORT PLATE (UNTIL TO 11/11)
19	3-00504	BIP UP LUBRIF.LIQUIDO PER TALLONE (5L)	LUBRICATOR LIQUID TO HEEL BIP UP (5L)
20	5-104845	LAMIERA SUPP.SERBATOIO (DA 12/11)	TANK SUPPORT PLATE (FROM 12/11)

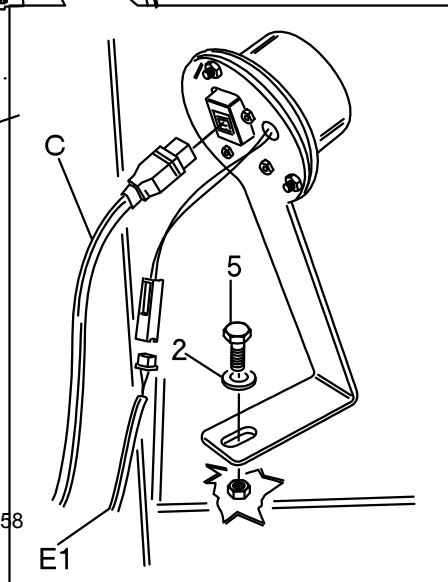
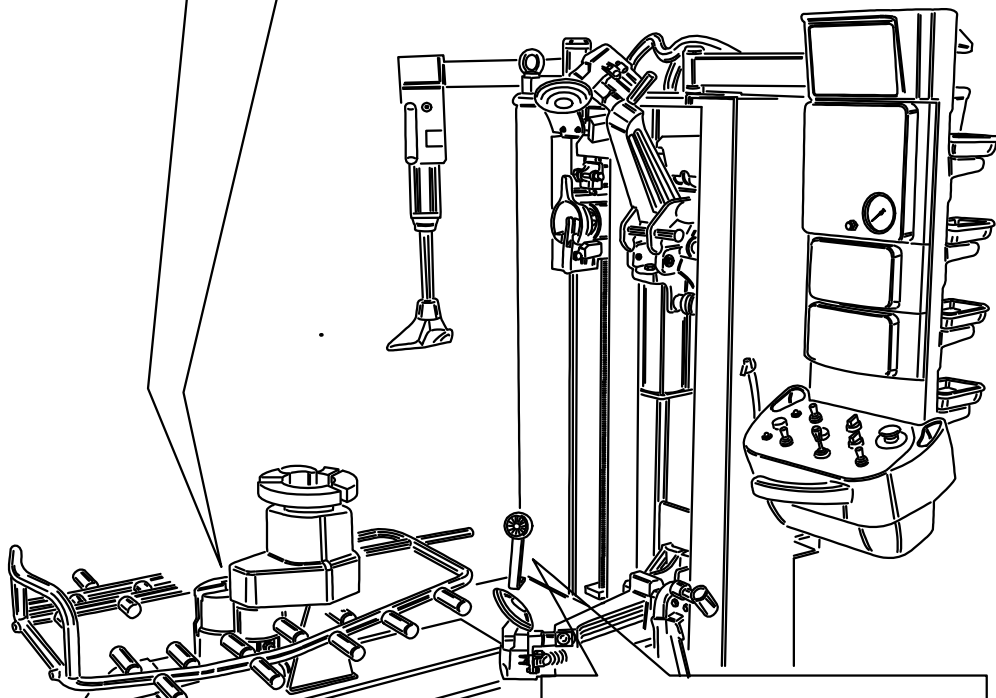
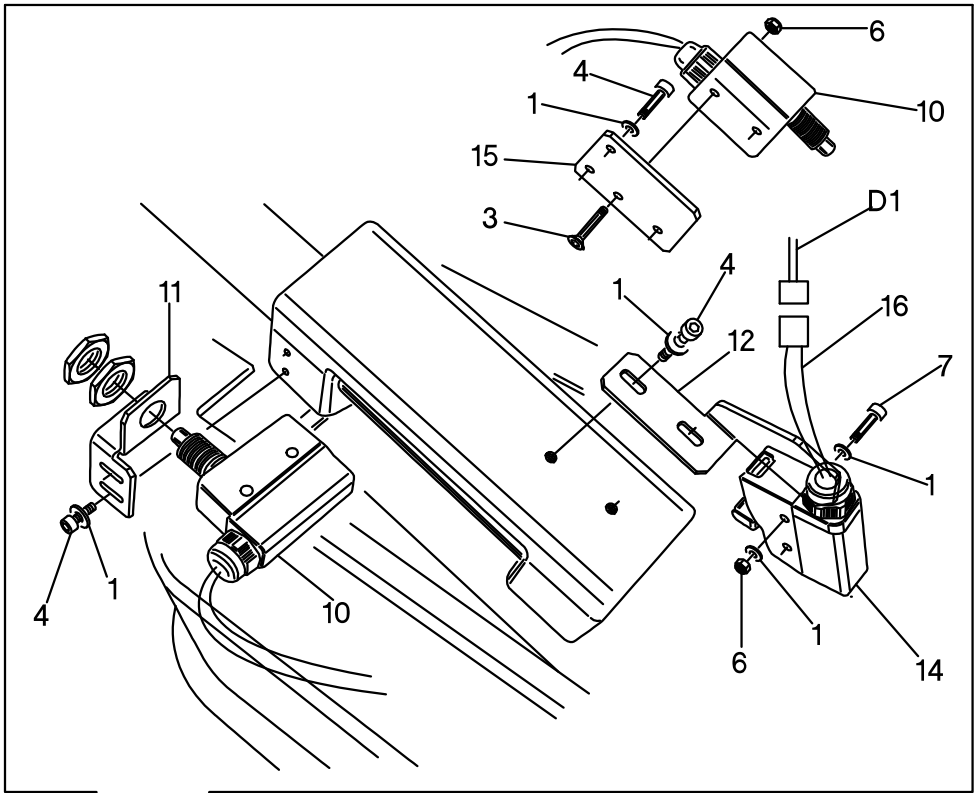




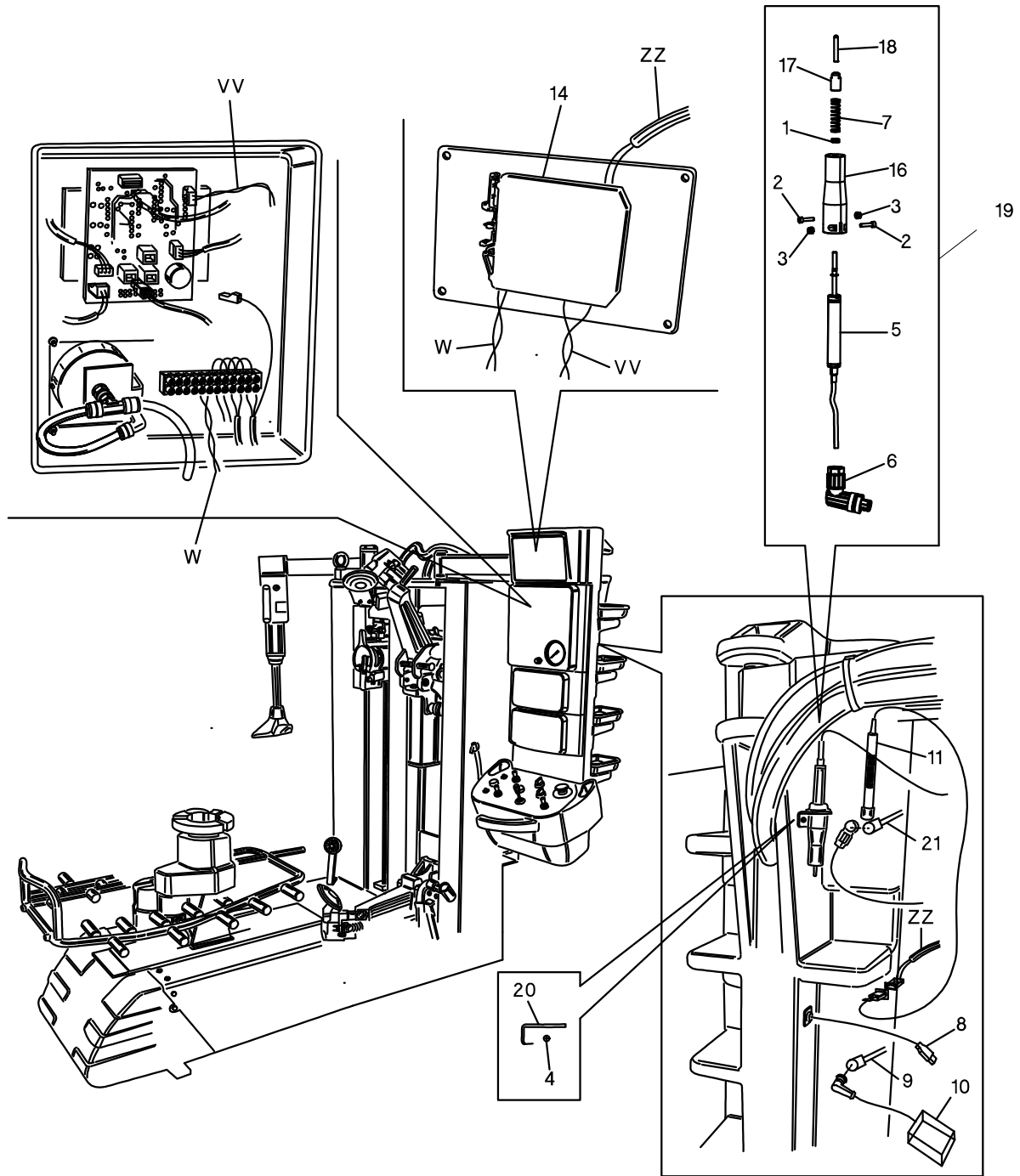
ref.	cod.	descrizione	description
F	4-112659	CAVO COLL.TO SK - PRESSOSTATO (PRESSURE)	BOARD CABLE-PRESSURE (PRESSURE)
Z	5-102991	CAVO COLL.TO SK.-PEDALIERA (PEDALS)	BOARD CABLE-PEDALS GROUP (PEDALS)
1	1-01683	TU.PA11-RILSAN NERO D 8X1	RYLSAN TUBE D.8
2	2-00209	RONDELLA 6592-TE-4-100HV ZI	WASHER D.4
3	2-02286	VTCEI 4762 8.8 ZI M 4X 45	HEXAGON SOCKET HEAD SCREW M 4X 45
4	2-02588	VTCEI 4762 8.8 BR M 4X 35	HEXAGON SOCKET HEAD SCREW M 4X 35
5	2-03032	VTCEI 4762 8.8 ZI M 4X 25	HEXAGON SOCKET HEAD SCREW M 4X 25
6	3-00048	RACCPN-Y-T8	FITTING-Y-T8
7	3-00049	RACCPN-LO-G1/8G-T8	FITTING-LO-G1/8G-T8
8	3-00055	RACCPN-LO-G1/4G-T8	FITTING-LO-G1/4G-T8
9	3-00059	RACCPN-LO-G1/8C-T8	FITTING-LO-G1/8C-T8
10	3-00102	RACCPN-MANICOTTO-G1/8F	PIPE FITTING-G1/8F
11	3-00218	RACCPN-L-G1/8C-T8	FITTING-L-G1/8C-T8
12	3-00389	LIMITATORE DI GONFIAGGIO	LIMITING INFLATION
13	3-00464	RACCPN-D-G1/8G-T8	FITTING-D-G1-8G-T8
14	3-01176	RACCPN-RESCA-L-G1/8-T6	FITTING RESCA-L-G1/8-T6
15	3-01178	VALVOLA PN.AZ.MEC.OTTUR.1/8 NA	VALVE 178 NO
16	328054	TUBO GOMMA 18ATM D6-14 L 24 CM	RUBBER TUBE 18ATM D6-14 L.24CM
17	335095	TUBO PA11 RILS.NERO 8X1 L 26 CM	RYLSAN TUBE 8X1 L.26CM
18	348548	TUBO PA11 RIL.NERO 8X1 L 4 CM	RYLSAN TUBE 8X1 L.4CM
19	354558	TUBO PA11 RILS.ROSSO 8X1 L.4 MT	RED RYLSAN TUBE 8X1 L.4 MT
20	358763	TUBO PA11 RILS.NERO 8X1 L 10 CM	RYLSAN TUBE 8X1 L.10 CM
21	372584	TUBO RILSAN NERO D8X6 L=1,2 MT	RYLSAN TUBE 8X6 L.1,2 MT
23	442053	SELETT.CIRCUITO MOD.SCS 668-06	VALVE MOD.SCS 668-06
24	5-101196	TUBO DI GONFIAGGIO L.2,6MT	INFLATION TUBE L.2,6MT
26	5-104556	PRESSOSTATO	PRESSURE



ref.	cod.	descrizione	description
1	2-00142	DADO ES.N 5588 6S ZI M 3	NORMAL HEXAGON NUT M 3
2	2-00143	DADO ES.N 5588 6S ZI M 4	NORMAL HEXAGON NUT M 4
3	2-00757	VTCEI 4762 8.8 BR M 4X 14	HEXAGON SOCKET HEAD SCREW M 4X 14
4	2-00842	VTSPEI 5933 10.9 BR M 3X10	HEXAGON SOCKET SCREW countersunk head M 3X10
5	2-71547	ROSETTA EL. 8842 A BR D 3	WASHER D.3
6	3-00768	OBIETTIVO TELECAMERA	CAMERA LENS
7	4-111551	SK TELEC. UTENSILE DIGITALE	BOARD CAMERA TOOL
8	4-112447	SUPPORTO TELECAMERA LUNGO	CAMERA SUPPORT
9	4-113241	ILLUM.CIRC. AD INFRAROSSI	INFRARED CIRCULAR ILLUMINATOR
10	4-113246	SUPPORTO OBIETTIVO TELEC.	LENS CAMERA SUPPORT
11	4-113247	SCHERMO CONICO ANTIRIFLESSO	Anti-glare Screen CONE
12	4-326156	GUARNIZIONE TELECAMERA	SEAL CAMERA
13	4-404270	PROTEZIONE VIDEOCAMERA	SECURITY CAMERA
14	4-404271	DISTANZIALE TELECAMERA	SPACER CAMERA
15	4-404272	VETRINO VIDEOCAMERA	SLIDE CAMERA
16	442153	DIST.ES.M/F M3 MF10 H 3050 08	HEXAGON SPACER M/F M3 H 3050 08
17	5-103030	KIT TELECAMERA DIGITALE	DIGITAL CAMERA KIT

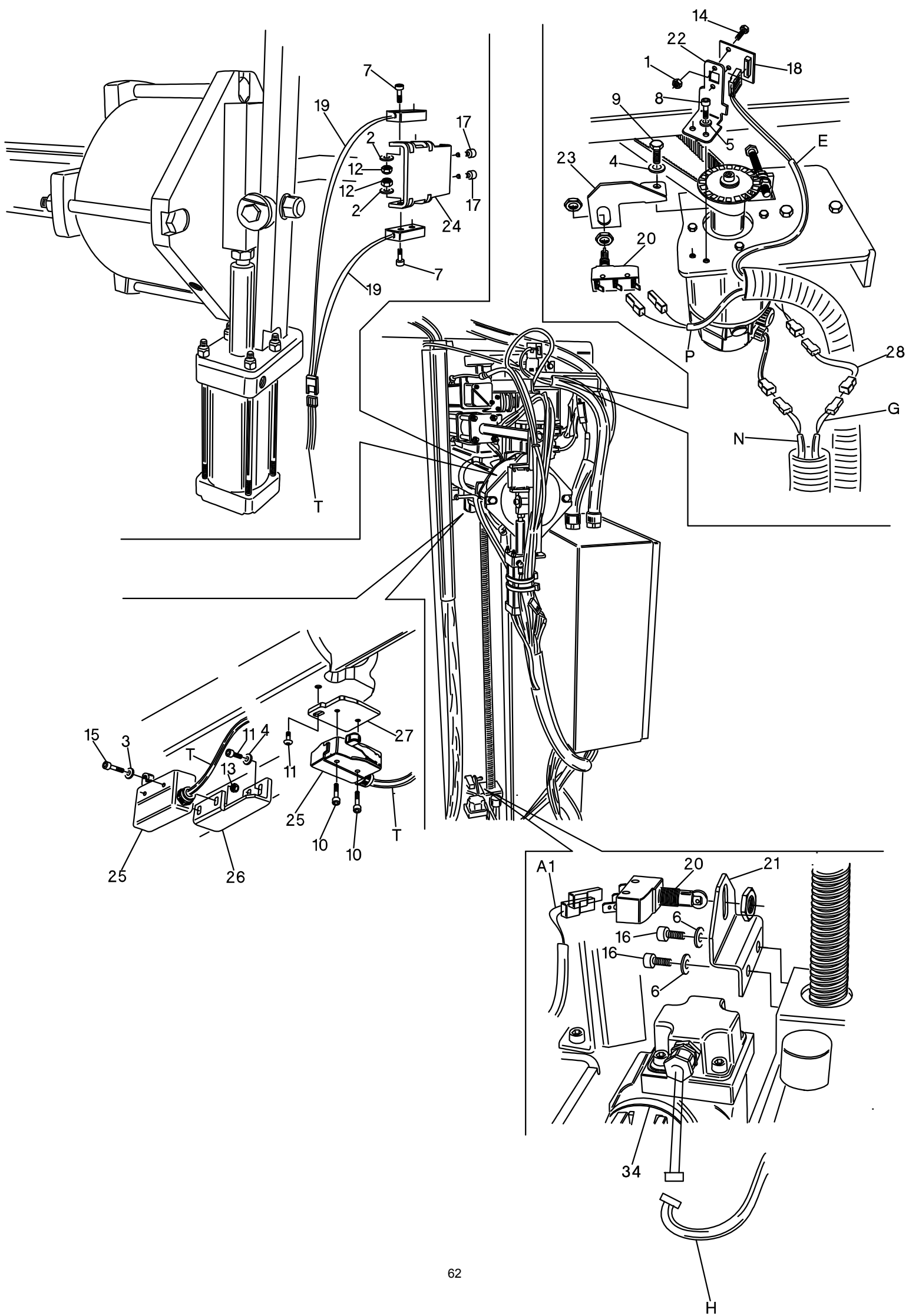


ref.	cod.	descrizione	description
C	3-00692	CAVO RETE RJ45 CAT.6 SSTP	RJ45 CABLE FOR CAMERA L.5MT
E1	4-113363	CAVO ALIMENTAZIONE TELEC.	CAMERA POWER CABLE
D1	5-103582	CAVO SOLL/MICRO AZZ.ORIZZ.(LIFTER)	BOARD CABLE-ORIZ.MICRO RESET/LIFTER (LIFTER)
1	2-00209	RONDELLA 6592-TE-4-100HV ZI	WASHER D.4
2	2-00212	RONDELLA 6592-TE-8-100HV ZI	WASHER D.8
3	2-00291	VTCEI 4762 8.8 BR M 4X 20	HEXAGON SOCKET HEAD SCREW M 4X 20
4	2-00295	VTCEI 4762 8.8 BR M 4X 8	HEXAGON SOCKET HEAD SCREW M 4X 8
5	2-00319	VTCEI 4762 8.8 BR M 8X 16	HEXAGON SOCKET HEAD SCREW M 8X 16
6	2-01018	DADO ES.N A.7473 6S ZI M 4	NORMAL AUTO LOCKING HEXAGON NUT M 4
7	2-02078	VTCEI 4762 8.8 ZI1/2F M 4X 30	HEXAGON SOCKET HEAD SCREW 1/2F M 4X 30
10	4-106284	MICRO IP66 "PIZZATO" MM12	MICRO IP66 PIZZATO MM12
11	4-108383	LAMIERA SUPP.MICRO VERTICALE	MICRO SUPPORT VERTICAL PLATE
12	4-108398	SUPPORTO MICRO PIZZ.MKV11 F42	MICRO PIZZATO SUPPORT
14	4-109005	MICROINT.16A 250V 1NA-NC LEVA42	MICRO 16A 250V 1NO-NC LEVER 42 AP
15	4-111083	LAMIERA FISSAGGIO MICRO	PLATE FIXING MICRO
16	4-112515	CAVI MICRO SOLLEVATORE	MICRO LIFT CABLES

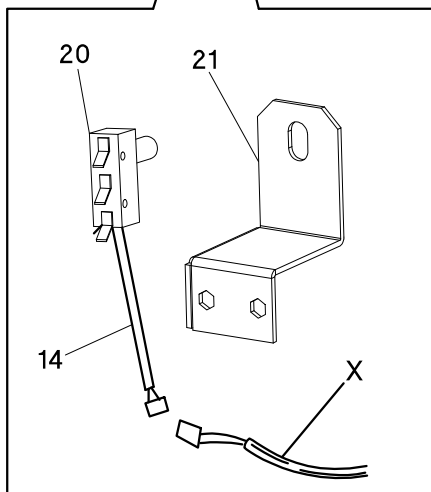
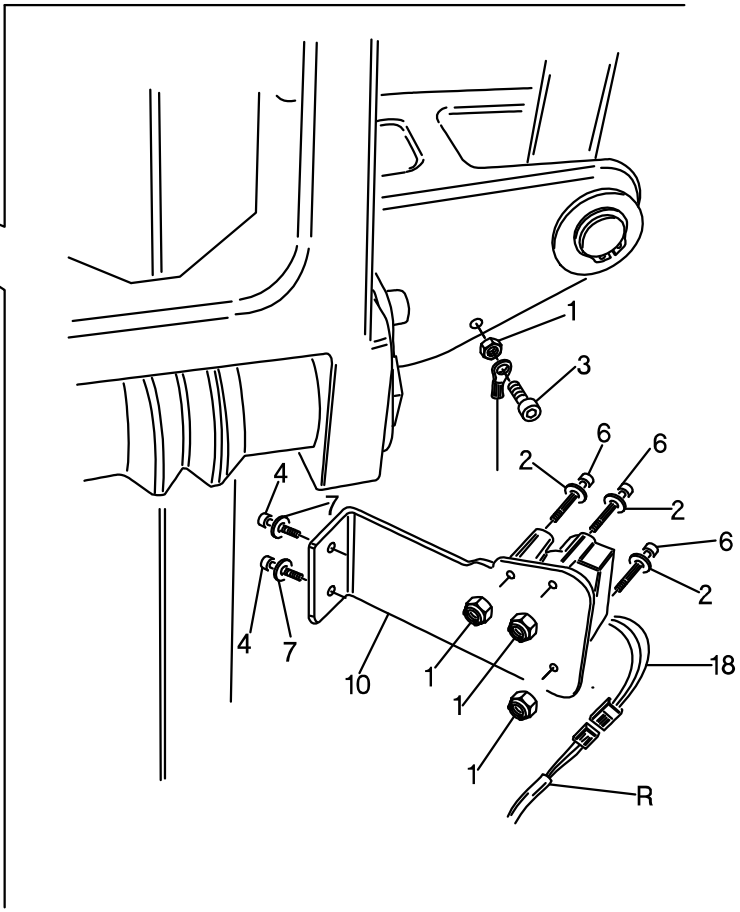
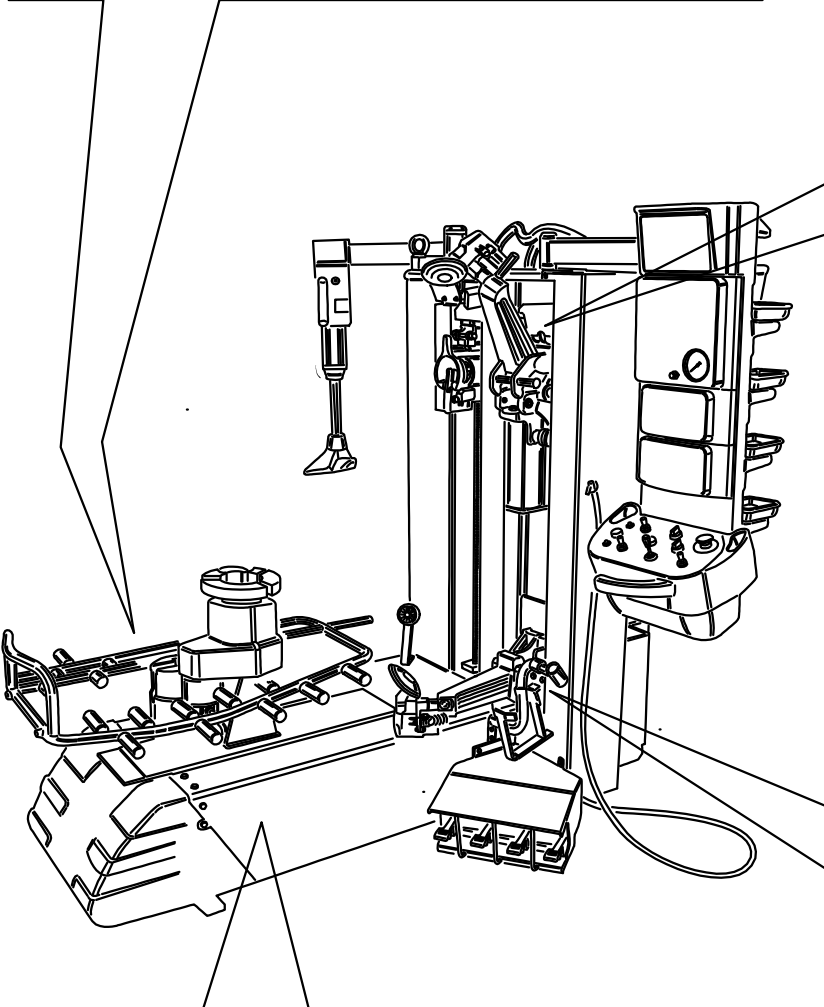
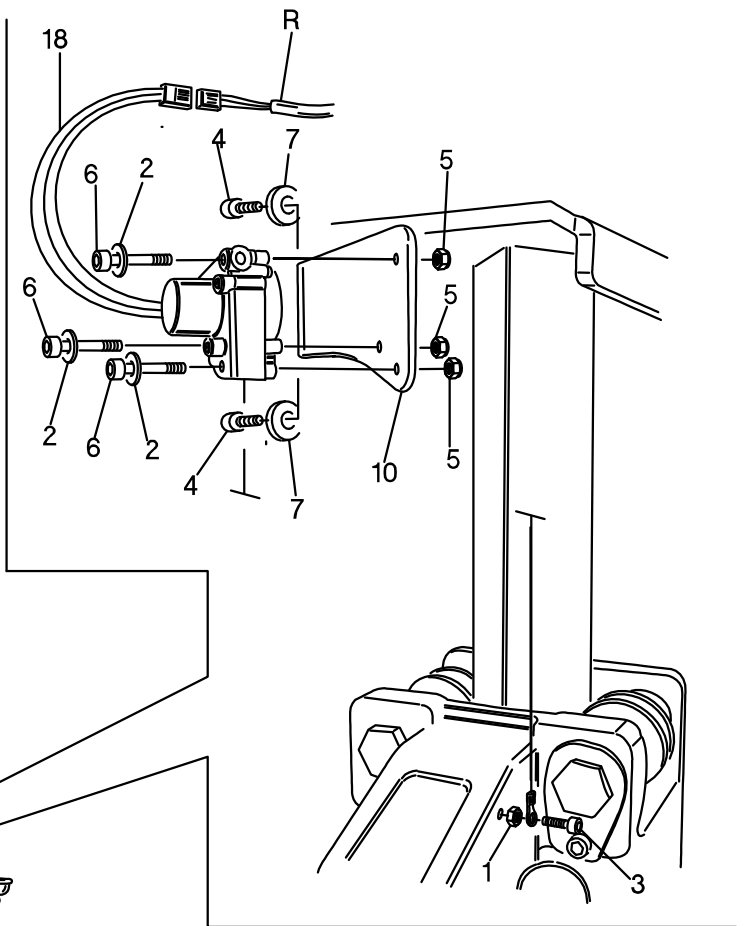
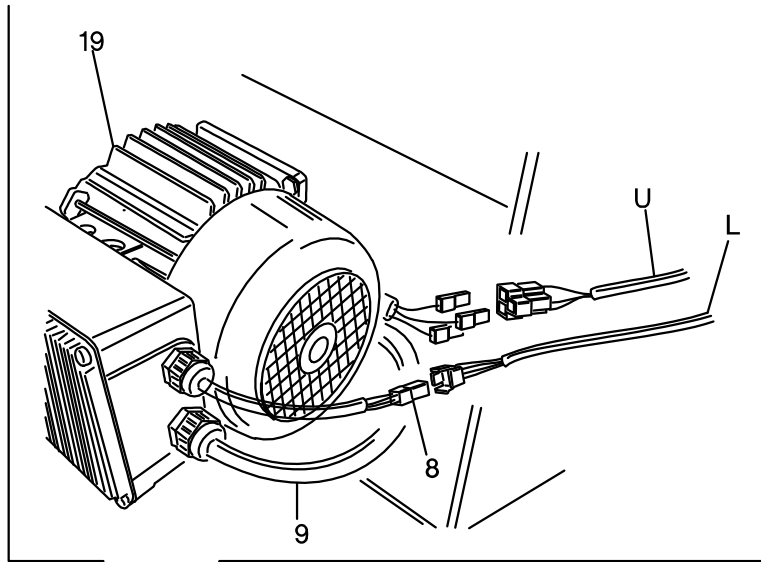


ref.	cod.	descrizione	description
W	4-115223	CAVO ALIM SONDA TEMP. D.2X0,5 L.0,5MT	POWER CABLE TEMPERATURE PROBE
VV	4-115224	CAVO SEGN.SONDA TEMP. D.2X0,5 L.0,6MT	TEMPERATURE SENSOR SIGNAL CABLE
ZZ	4-115226	CAVO COMP. SONDA TEMP. D.2X0,5 L.1MT	COMPENSATED TEMPERATURE PROBE CABLE
1	2-00143	DADO ES.N 5588 6S ZI M 4	NORMAL HEXAGON NUT M4
2	2-00923	VTCEI 4762 12.9 BR M 3X 14	HEXAGON SOCKET HEAD SCREW M 3X 14
3	2-01017	<del>DADO ES.N.A.7473 6S ZI M3</del>	NORMAL AUTO LOCKING HEXAGON NUT M3
4	2-02887	VATBIC ISO7049 CZ BR D3,5X13	CROWNED HEAD SCREW CROSS D.3,5X13
5	3-00694	TRASDUTTORE RETTIL. PZ12-S-25	TRANSDUCER PZ12-S-25
6	3-00807	CONNETTORE MASCHIO M12 ANG. 4 PIN	M12 male ANGLED 4 PIN
7	3011474	MOLLA COMPRESSIONE	COMPRESSION SPRING
8	3-02708	PRESA DA PANNELLO CON PORTA USB	PANEL SOCKET WITH USB PORT
9	4-108568	CONNETTORE SONDA TPMS+CAVO+DADO	TPMS PROBE CONNECTOR WITH CABLE
10	4-108569	SONDA PORTATILE TPMS CON CAVO	TPMS PROBE WITH CABLE
11	4-115222	SONDA IR CON CAVO L.2MT	TEMPERATURE PROBE WITH CABLE
14	4-115225	AMPLIFICATORE SEGN. SONDA TEMP.	TEMPERATURE SENSOR SIGNAL AMPLIFIER
16	4-406777	ASTUCCIO	TREAD MEASURER PROTECTION
17	4-406786	ATTACCO	ATTACK
18	4-406787	PUNTALE	TIP
19	5-103900	MISURATORE BATTISTRADA	TREAD MEASURER
20	5-104859	SUPPORTO SONDA BATTISTRADA	TREAD MEASURER SUPPORT
21	4-108568	CONNETTORE SONDA BATTISTRADA + CAVO	TREAD MEASURER CONNECTOR WITH CABLE

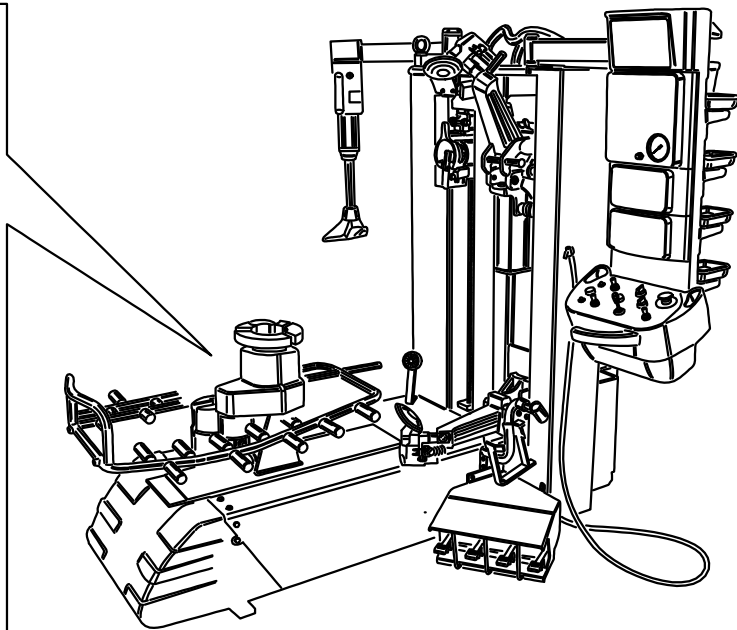
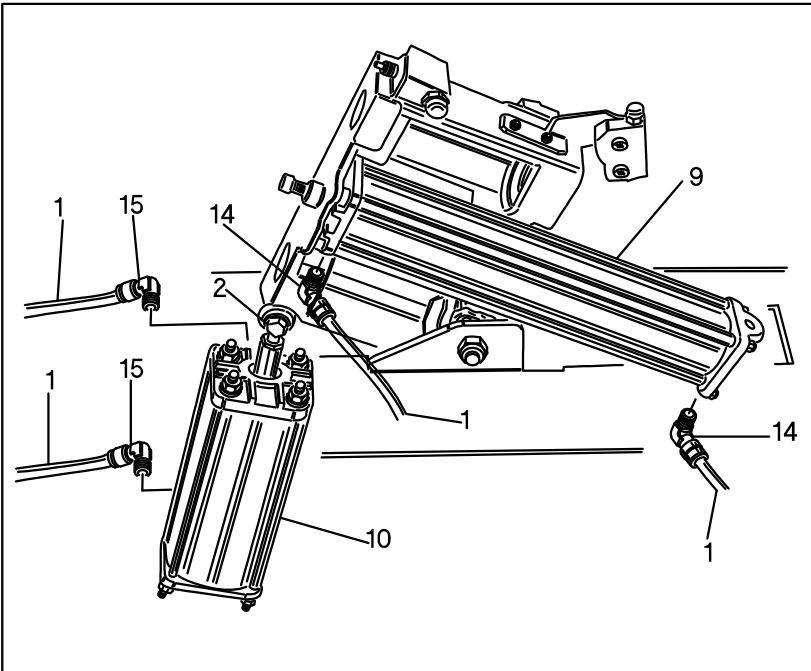
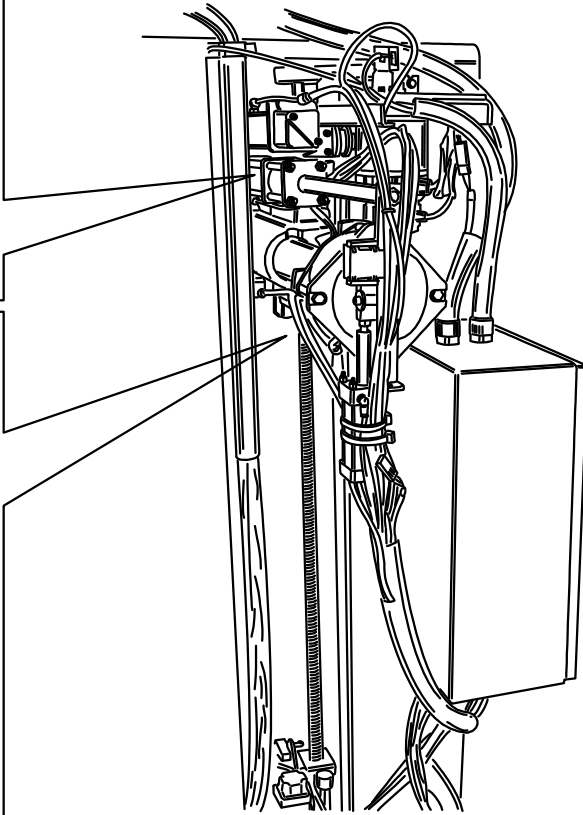
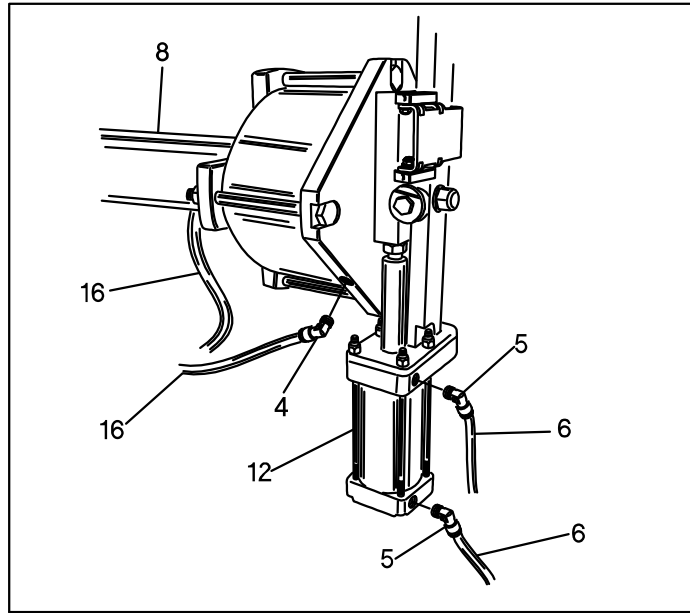
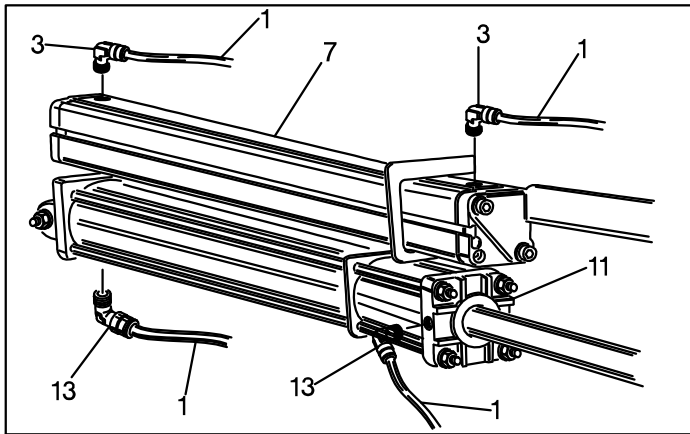




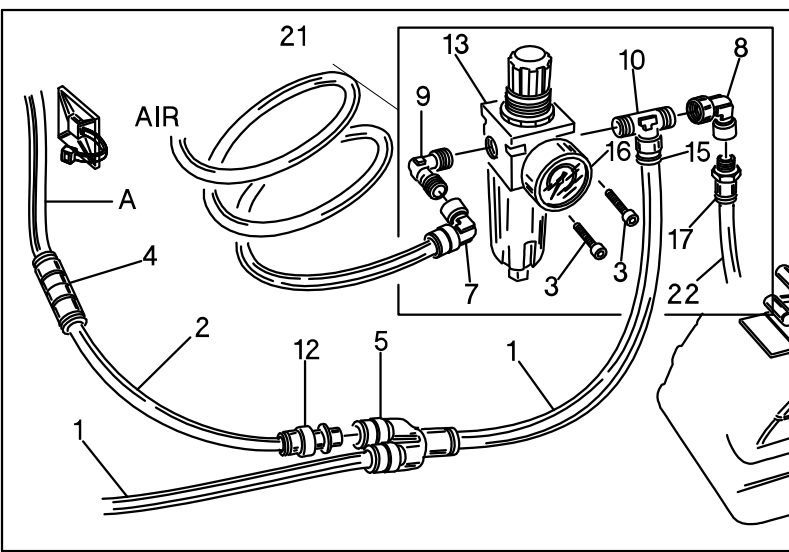
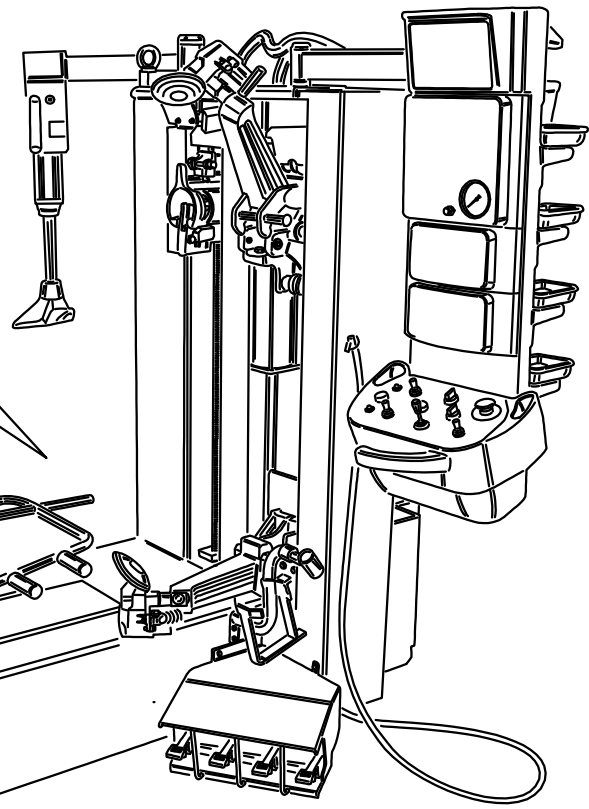
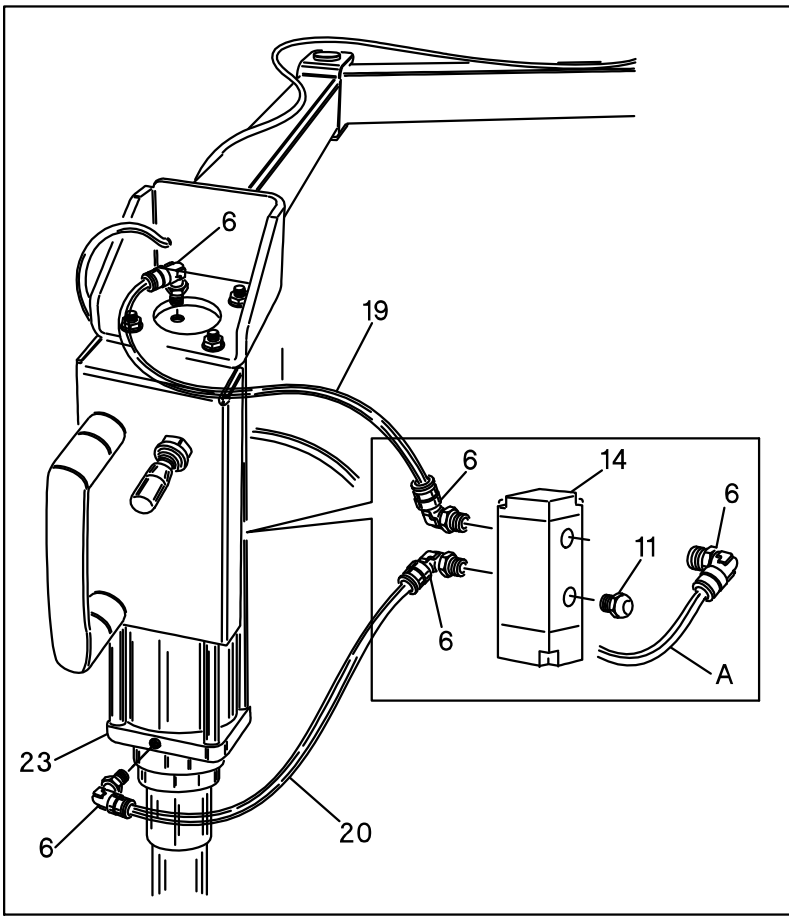
ref.	cod.	descrizione	description
G	5-102988	CAVO SK-AL.MOT ASSE Y (VERT MOT)	BOARD CABLE-POWER MOTOR Y AXIS (VERT
H	5-102989	CAVO SK-ENCODER ASSE X (ORIZ ENC)	BOARD CABLE-X AXIS ENCODER (ORIZ ENC)
E	5-102997	CAVO SK-ENCODER ASSE Y (VERT ENC)	BOARD CABLE-Y AXIS ENCODER (VERT ENC)
P	5-103004	CAVO SK-MICRO Y UP (UP)	BOARD CABLE-MICRO Y UP (UP)
T	5-103584	CAVO SK-MICRO TSET UT (TOOL)	BOARD CABLE-MICRO TOOL HEAD (TOOL)
A1	5-103694	CAVO SK-MICRO Y DOWN (DOWN)	BOARD CABLE-Y DOWN MICRO (DOWN)
N	5-102995	CAVO SK-BRAKE Y (BRAKE)	BOARD CABLE-Y BRAKE (BRAKE)
1	2-00142	DADO ES.N 5588 6S ZI M 3	NORMAL HEXAGON NUT M 3
2	2-00208	RONDELLA 6592-TE- 3-100HV ZI	WASHER D.3
3	2-00209	RONDELLA 6592-TE-4-100HV ZI	WASHER D.4
4	2-00210	RONDELLA 6592-TE- 5-100HV ZI	WASHER D.5
5	2-00211	RONDELLA 6592-TE- 6-100HV ZI	WASHER D.6
6	2-00212	RONDELLA 6592-TE-8-100HV ZI	WASHER D.8
7	2-00288	VTCEI 4762 8.8 BR M 3X 16	HEXAGON SOCKET HEAD SCREW M 3X 16
8	2-00310	VTCEI 4762 8.8 BR M 6X 20	HEXAGON SOCKET HEAD SCREW M 6X 20
9	2-00355	VTE 5739 8.8 BR M 5X 16	HEXAGON HEAD SCREW M 5X 16
10	2-00927	VTCEI 4762 8.8 BR M 4X 22	HEXAGON SOCKET HEAD SCREW M 4X 22
11	2-00995	VTCEI 4762 8.8 BR M 5X 8	HEXAGON SOCKET HEAD SCREW M 5X 8
12	2-01017	DADO ES.N A.7473 6S ZI M 3	NORMAL AUTO LOCKING HEXAGON NUT M 3
13	2-01018	DADO ES.N A.7473 6S ZI M 4	NORMAL AUTO LOCKING HEXAGON NUT M 4
14	2-02072	VTCEI 7687 PZ ZI M 3 X12	HEAD SCREW Phillips M 3X 12
15	2-02078	VTCEI 4762 8.8 ZI1/2F M 4X 30	HEXAGON SOCKET HEAD SCREW 1/2F M 4X 30
16	2-03332	VTCEI 4762 12.9 BR1/2F M 8X 80	HEXAGON SOCKET HEAD SCREW 1/2F M 8X 80
17	2-80009	VTBEI ISO7380 BR M 4X 8	SCREW HEXAGON SOCKET HEAD CONVEX M 4X 8
18	4-103365	SENSORE DI HALL WIND TWIST	SENSOR HALL
19	4-108047	MICRO POSIZ. ROTAZ. UTENSILE	MICRO POSITIONING ROTARY TOOL
20	4-108463	MICRO PIZZATO MKF11D17	MICRO PIZZATO MKF11D17
21	4-108464	SUPPORTO MICRO	MICRO SUPPORT
22	4-108523	SUPPORTO SENSORE ENCODER	ENCODER SENSOR SUPPORT
23	4-108528	SUPPORTO MICRO TRASL.VERT.	MICRO SUPPORT VERTICAL TRANSLATION
24	4-108533	STAFFA SUPPORTO SENSORI TESTINA	SENSOR SUPPORT BRACKET HEAD
25	4-109005	MICROINT.16A 250V 1NA-NC LEVA42	MICRO 16A 250V 1NO-NC LEVER 42 AP
26	4-111146	STAFFA MICROINT. ANT.TESTINA	MICROSWITCH BRACKET FRONT HEAD
27	4-111149	STAFFA MICROINT.POST.TESTINA	MICROSWITCH BRACKET REAR HEAD
28	5-100943	CAVO FILTRO MOTORE ASSE Y	Y AXIS MOTOR FILTER CABLE
34	4-111319	ATTUATORE	ACTUATOR



ref.	cod.	descrizione	description
X	4-112325	CAVO SK - SENS. REED (G BOX ENC)	BOARD CABLE-SENSOR REED (G BOX ENC)
U	5-100849	CAVO ALIMENTAZ.MOTOINV.	MOTOINVERTER POWER CABLE
R	5-102986	CAVO SK -POTENZ STALL. (BEAD)	BOARD CABLE-POTENTIOMETER BEAD (BEAD)
L	5-102993	CAVO SK-COMANDI MI (MI-CMD)	BOARD CABLE-CONTROLS MOTOINVERTER (MI-CMD)
1	2-00143	DADO ES.N 5588 6S ZI M 4	NORMAL HEXAGON NUT M 4
2	2-00209	RONDELLA 6592-TE-4-100HV ZI	WASHER D.4
3	2-00289	VTCEI 4762 8.8 BR M 4X 10	HEXAGON SOCKET HEAD SCREW M 4X 10
4	2-00330	VTCEI 4762 8.8 BR M10X 30	HEXAGON SOCKET HEAD SCREW M10X 30
5	2-01018	DADO ES.N A.7473 6S ZI M 4	NORMAL AUTO LOCKING HEXAGON NUT M 4
6	2-01717	VTCEI 4762 8.8 BR1/2F M 4X 35	HEXAGON SOCKET HEAD SCREW 1/2F M 4X 35
7	2-02494	RONDELLA 6592-TE-10-100HV BR	WASHER D.10
8	4-109894	CAVO ALIM.MI-LATO MOT.230V	MOTOR-SIDE POWER CABLE MOTOINVERTER 230V
8	4-111587	CAVO ALIM.MI-LATO MOT.115V	MOTOR-SIDE POWER CABLE MOTOINVERTER 115V
9	4-109895	CAVO COM.MOTOINV.230/115V	CABLE CONTROLS MOTOINVERTER 230/115V
10	4-111248	LAMIERA PER POTENZIOMETRO	PLATE FOR POTENTIOMETER
14	5-102151	CAVO MICRO IP66 AZZE(JP7-AZZ)	CABLE MICRO RESET (JP7-AZZ)
18	5-103901	POTENZIOMETRO A FILO	POTENTIOMETER WIRE
19	5-104278	MOTOINVERTER 230V	MOTOINVERTER 230V
19	5-103599	MOTOINVERTER 115V	MOTOINVERTER 115V
20	4-108463	MICRO PIZZATO MKF11D17	MICRO PIZZATO MKF11D17
21	4-113611	LAMIERA SUPP.MICRO AZZER.	SUPPORT PLATE MICRO RESET

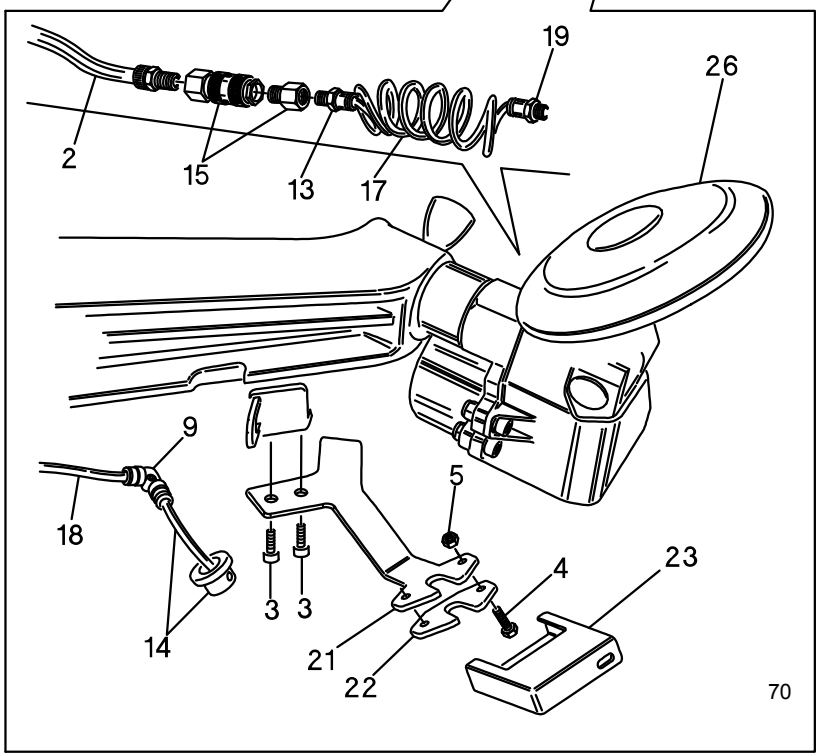
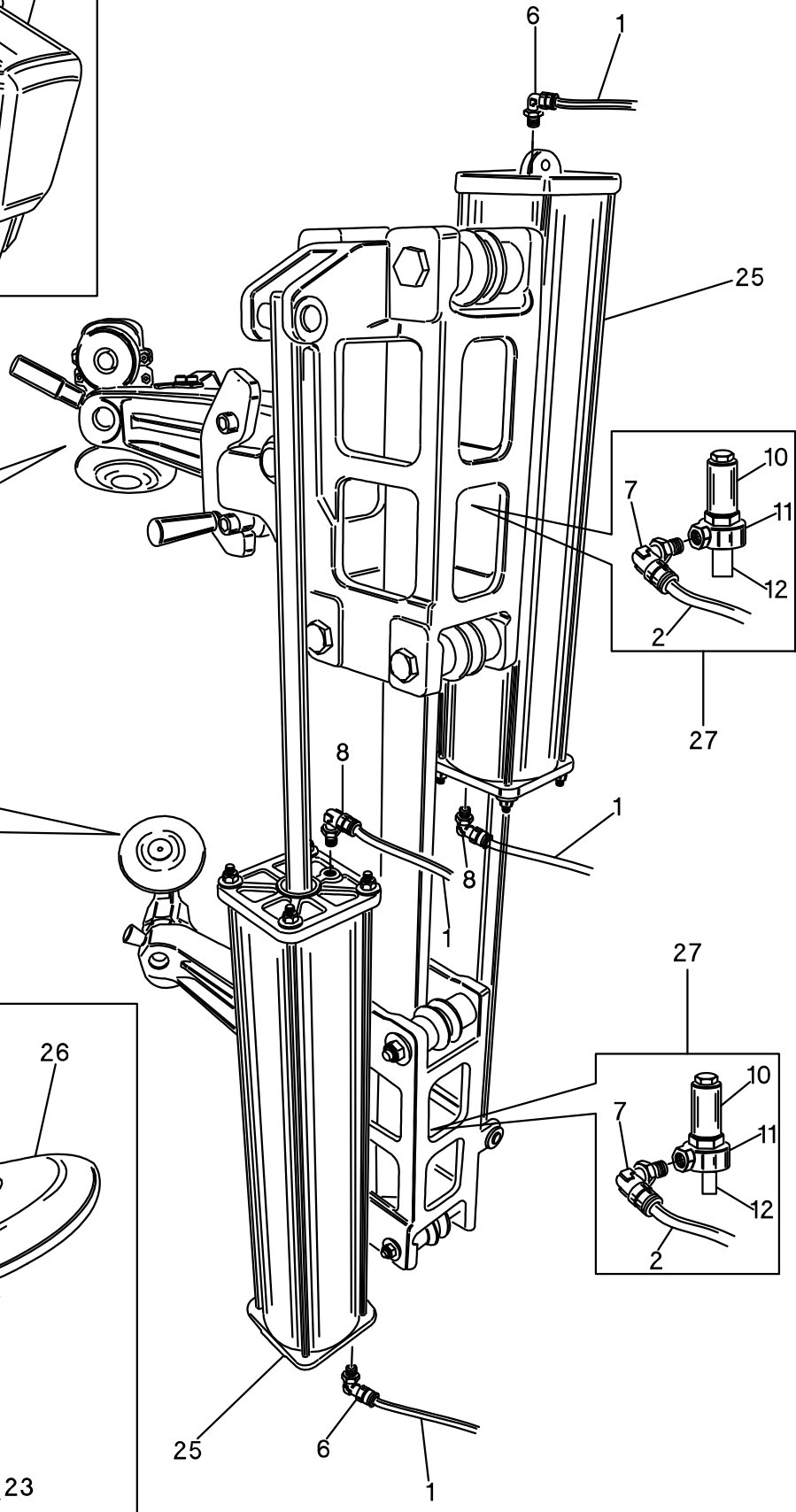
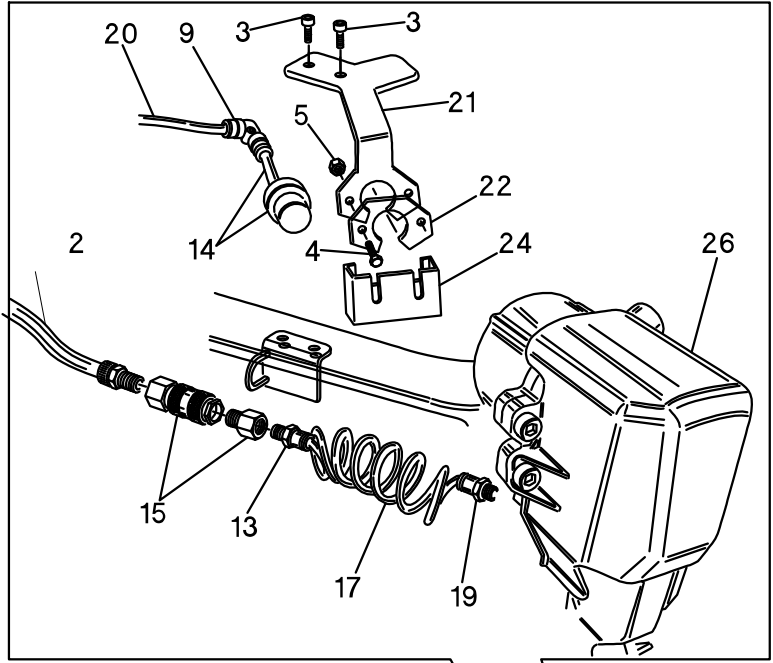


ref.	cod.	descrizione	description
1	1-01684	TU.PA11-RILSAN NERO D 6X1	RYLSAN TUBE D.6X1
2	2-01037	VTE 5739 8.8 BR M10X 30	HEXAGON HEAD SCREW M 10X 30
3	3-00106	RACCPN-L-G1/8C-T6/4	FITTING-L-G1/8C-T6/4
4	3-00217	RACCPN-L-G1/8C-T6	FITTING-L-G1/8C-T6
5	3-00220	RACCPN-L-G1/8C-T4	FITTING-L-G1/8C-T4
6	362013	TUBO PA11 RILS.NERO 4X1 L.1,7 MT	RYLSAN TUBE D.4X1 L.1,7MT
7	4-111284	CILINDRO METALWORK 2600320300FP	CYLINDER METALWORK 2600320300FP
8	5-102512	GRUPPO CIL.MOVIMENTO UTENSILE	MOVING CYLINDER TOOL GROUP
9	5-102958	CILINDRO VERTICALE SOLLEVAMENTO	VERTICAL LIFT CYLINDER
10	5-102960	CILINDRO D.95 SOLLEVATORE	LIFT CYLINDER D.95
11	5-102979	CILINDRO TRASL.TESTINA D.125	TRANSLATION TOOL CYLINDER D.125
12	5-103010	GRUPPO CIL.ROTAZIONE TESTINA	CYLINDER ROTATION TOOL GROUP
13	5-104499	RACCORDO 1/8 CON STROZZ. D.2,25	FITTING 1/8 WITH CHOKE D.2,25
14	5-104544	RACCORDO 1/8 CON STROZZ. D.1,5	FITTING 1/8 WITH CHOKE D.1,5
15	5-104548	RACCORDO 1/8 CON STROZZ. D.1,75	FITTING 1/8 WITH CHOKE D.1,75
16	363011	TUBO POLIUR.ARIA 6X1 L2200	ELASTOLAN TUBE 6X1 L.2,2 MT

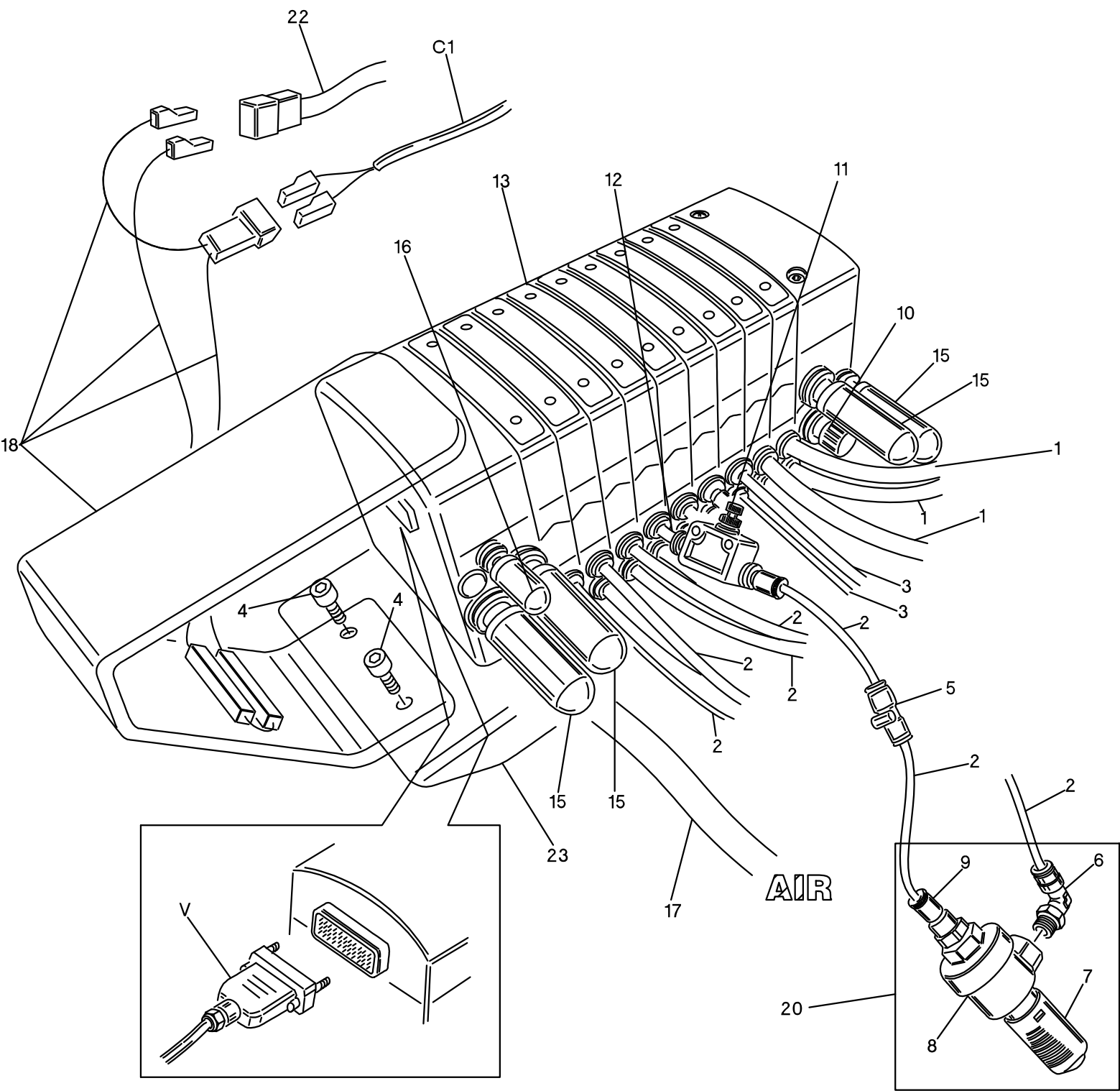


ref.	cod.	descrizione	description
<b>A</b>	<b>4-115210</b>	<b>TUBO PA11 RILS.NERO 6X1 L.4,4MT</b>	<b>RYLSAN TUBE 6X1 L.4,4MT</b>
1	1-01683	TU.PA11-RILSAN NERO D 8X1	RYLSAN TUBE D 8X1
2	1-01684	TU.PA11-RILSAN NERO D 6X1	RYLSAN TUBE D 6X1
3	2-02643	VTCEI 4762 8.8 ZI M 4X 40	HEXAGON SOCKET HEAD SCREW M 4X 40
4	3-00015	RACCPN-D-T6	FITTING-D-T6
5	3-00048	RACCPN-Y-T8	FITTING-Y-T8
6	3-00053	RACCPN-LO-G1/8G-T6	FITTING-LO-G1/8G-T6
7	3-00086	RACCPN-D-G1/4-GR7	FITTING-D-G1/4-GR7
8	3-00099	RACCPN-L-G1/4FF	FITTING-L-G1/4FF
9	3-00136	RACCPN-L-G1/4C-F	FITTING-L-G1/4C-F
10	3-00169	RACCPN-T-G1/4F-MM	FITTING-T-G1/4F-MM
11	3-00181	SILENZIATORE-G1/8 FILI ACCIAIO	STEEL SILENCER G1/8
12	3-00209	RACCPN-D-C8-T6	FITTING-D-C8-T6
13	3-00346	FR1/4 RMSA (0/10) M.W.	REGULATOR FILTER 1/4 (0/10)
14	3-00371	VALVOLA PN.AZ.MAN.5VIE 1/8"	PNEUMATIC VALVE FIVE WAY 1/8"
15	3-00459	RACCPN-D-G1/4G-T8	FITTING-D-G1/4G-T8
16	3-00488	MANOMETRO D40 PST1/8" 0-12 B/P	GAUGE D.40 PST 1/8 0-12 B/P
17	3-00695	RACCPN-D-G1/4G-T12	FITTING-D-G1/4G-T12
19	372291	TUBO RILSAN NERO D6X4 L.21 CM	RYLSAN TUBE 6X4 L.21 CM
20	372544	TUBO RILSAN NERO D6X4 L.37CM	RYLSAN TUBE 6X4 L.37 CM
21	4-111320	GRUPPO FILTRO REGOLATORE	FILTER REGULATOR
22	4-112441	TUBO PA11 RILSAN NERO 12X10 L.90 CM	RYLSAN TUBE 12X10 L.90CM
23	5-102369	CILINDRO D.63 PREMITALLONE	CYLINDER BEAD D.63

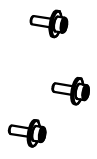
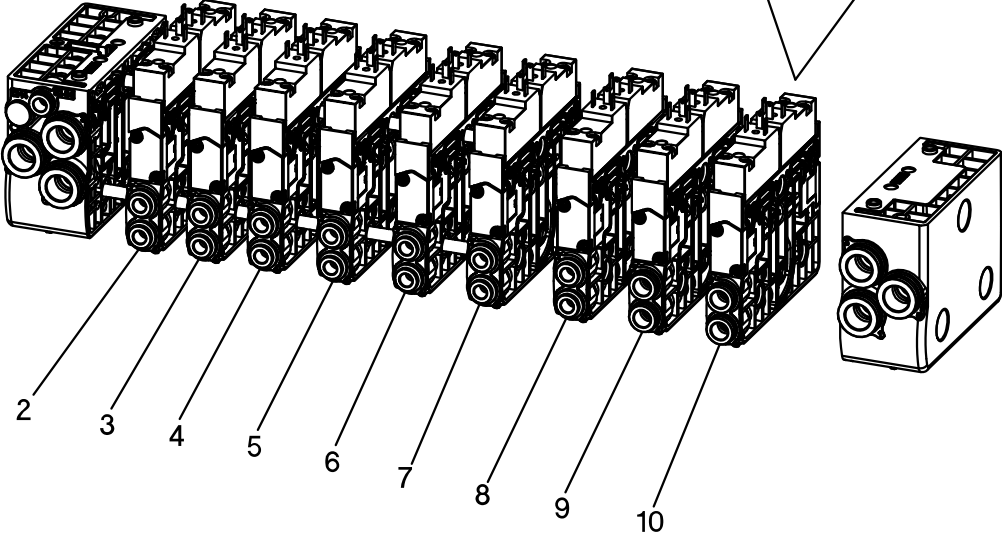
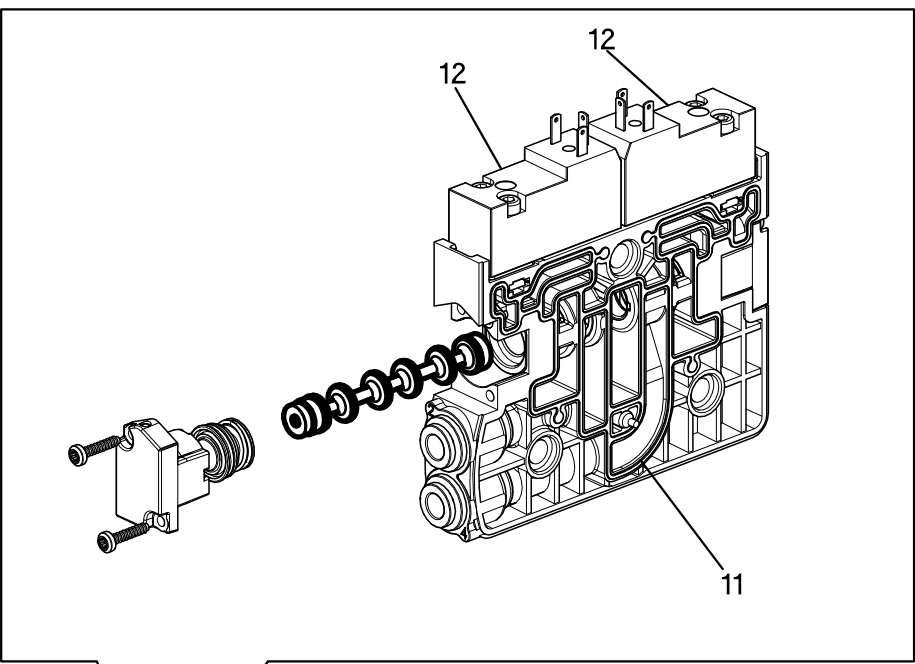
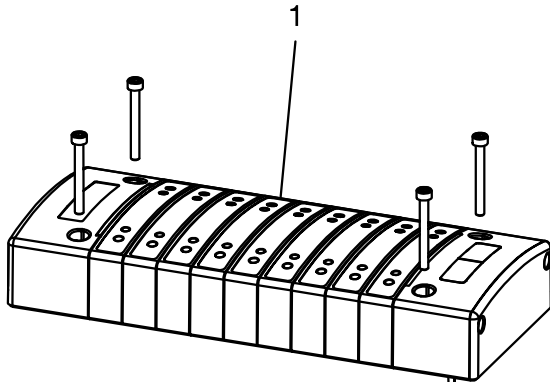




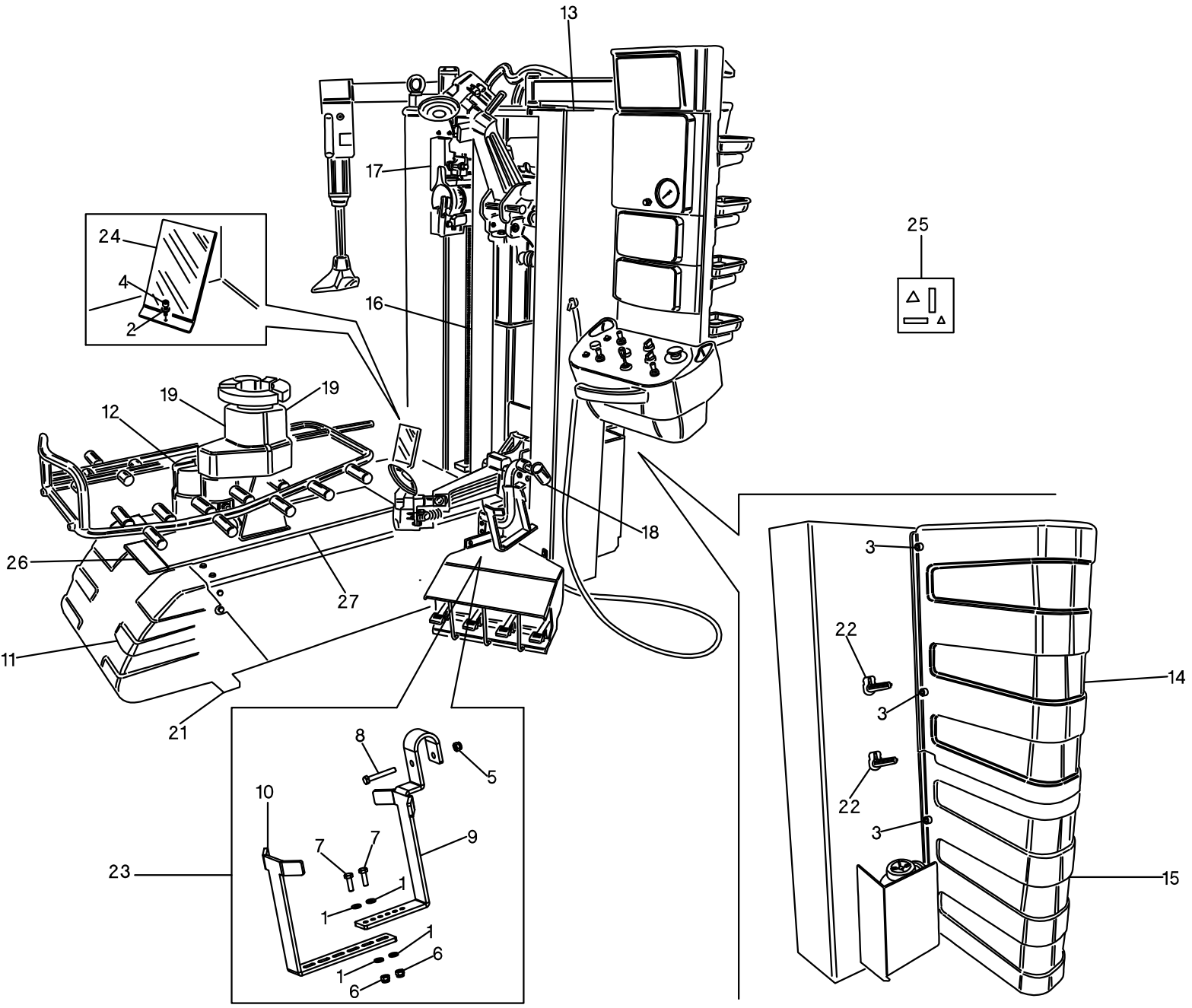
ref.	cod.	descrizione	description
1	1-01683	TU.PA11-RILSAN NERO D 8X1	RYLSAN TUBE D 8X1
2	1-01684	TU.PA11-RILSAN NERO D 6X1	RYLSAN TUBE D 6X1
3	2-00309	VTCEI 4762 8.8 BR M 6X 16	HEXAGON SOCKET HEAD SCREW M 6X 16
4	2-03003	VTCEI 4762 8.8 ZI M 5X 20	HEXAGON SOCKET HEAD SCREW M 5X 20
5	2-71524	DADO ES.B A.7474 6S ZI M 5	LOW AUTO LOCKING HEXAGON NUT M 5
6	3-00055	RACCPN-LO-G1/4G-T8	FITTING-LO-G1/4G-T8
7	3-00058	RACCPN-LO-G1/4C-T6	FITTING-LO-G1/4C-T6
8	3-00059	RACCPN-LO-G1/8C-T8	FITTING-LO-G1/8C-T8
9	3-00153	RACCPN-L-T4	FITTING-L-T4
10	3-00182	SILENZIATORE-G1/4-PLASTICA	PLASTIC SILENCER G1/4
11	3-00317	VALVOLA VSR G1/4 -METAL-	QUICK RELIEF VALVE G1/4
12	3-00460	RACCPN-D-G1/4G-T6	FITTING-D-G1/4G-T6
13	3-00463	RACCPN-D-G1/8G-T4	FITTING-D-G1/8G-T4
<b>14</b>	<b>5-104664</b>	<b>UGELLO LUBRIFICATORE CON TUBO</b>	<b>TIP LUBRIFICATOR WITH HOSE</b>
15	3-01644	RACCPN-D-GR5F-1/8 (innesto maschio)	FITTING-D-GR5F-1/8 (MALE PLUG)
17	4-103910	TUBO PA11 RILS.SPI.4X1 7SP.D30	SPIRAL TUBE RYLSAN 4X1 7SP.D30
18	4-104969	TUBO PA11 RILS.NERO 4X1 L1,9 MT	RYLSAN TUBE 4X1 L.1,9MT
19	4-106018	CAMICIA CILINDRO D.60	LINER D.60 WITH FITTING D.4
20	4-107171	TUBO PA11 RILS.NERO 4X1 L2,32 MT	RYLSAN TUBE 4X1 L.2,32 MT
21	4-111669	LAMIERA SUPP. LUBRIFICATORE	SUPPORT PLATE LUBRIFICATOR
22	4-111670	LAMIERA FISSAGGIO UGELLO	MOUNTING PLATE TIP
23	4-113652	COVER LUBRIFICATORE INFERIORE	COVER LOWER LUBRIFICATOR
24	4-113653	COVER LUBRIFICATORE SUPERIORE	COVER SUPERIOR LUBRIFICATOR
25	5-101935	CILINDRO SOLLEVAMENTO C=540	LIFT CYLINDER C=540
26	5-102002	DISCO STALLONATORE CPL	COMPLETE DISK BEAD
27	5-102970	VALVOLA VSR G1/4 COMPLETA	COMPLETE QUICK RELIEF VALVE G1/4



ref.	cod.	descrizione	description
V	4-111322	CAVO ELETTRICO 3MT (EVI-EV2-EV3)	SOLENOID CABLE 3MT (EV1-EV2-EV3)
C1	5-102987	CAVO SK-ATT.ASSE X (ORIZ.MOT.)	BOARD CABLE-X AXIS POWER ACTUATOR(ORIZ MOT)
1	1-01683	TU.PA11-RILSAN NERO D 8X1	RYLSAN TUBE D 8X1
2	1-01684	TU.PA11-RILSAN NERO D 6X1	RYLSAN TUBE D 6X1
3	1-04035	TU.PA11-RILSAN NERO D 4X1	RYLSAN TUBE D 4X1
4	2-02057	VTCEI 4762 8.8 ZI M 6X 20	HEXAGON SOCKET HEAD SCREW M 6X 20
5	3-00015	RACCPN-D-T6	FITTING-D-T6
6	3-00058	RACCPN-LO-G1/4C-T6	FITTING-LO-G1/4C-T6
7	3-00182	SILENZIATORE-G1/4-PLASTICA	PLASTIC SILENCER G1/4
8	3-00317	VALVOLA VSR G1/4 -METAL-	QUICK RELIEF VALVE VSR G1/4
9	3-00460	RACCPN-D-G1/4G-T6	FITTING-D-G1/4G-T6
10	3-03111	RACCPN-TAPPO-C12	CAP FITTING-C12
11	3-03277	REGOLATORE DI FLUSSO unidirez.	Unidirectional flow controller
12	326021	TUBO PA11 RILS.NERO 6X1 L 4 CM	RYLSAN TUBE 6X1 L.4CM
13	4-111321	ISOLA ELETTROVALVOLE MP160	GROUP SOLENOID
15	4-111323	SILENZIATORE Ø12MM	SILENCER D.12
16	4-111324	SILENZIATORE Ø6MM	SILENCER D.6
17	4-112441	TUBO RILSAN NERO 12X10 90CM	RYLSAN TUBE 12X10 L.90CM
18	5-104860	CARTER + BLOCCO RESISTENZE	CARTER PROTECTION WITH RESISTENCE BLOCK
20	5-102970	PREMONTAGGIO SCARICO RAPIDO	QUICK RELIEF GROUP
22	5-103570	GR.ATTUATORE	ACTUATOR
23	5-104802	SUPPORTO ISOLA ELETTROVALVOLE	SUPPORT GROUP SOLENOID

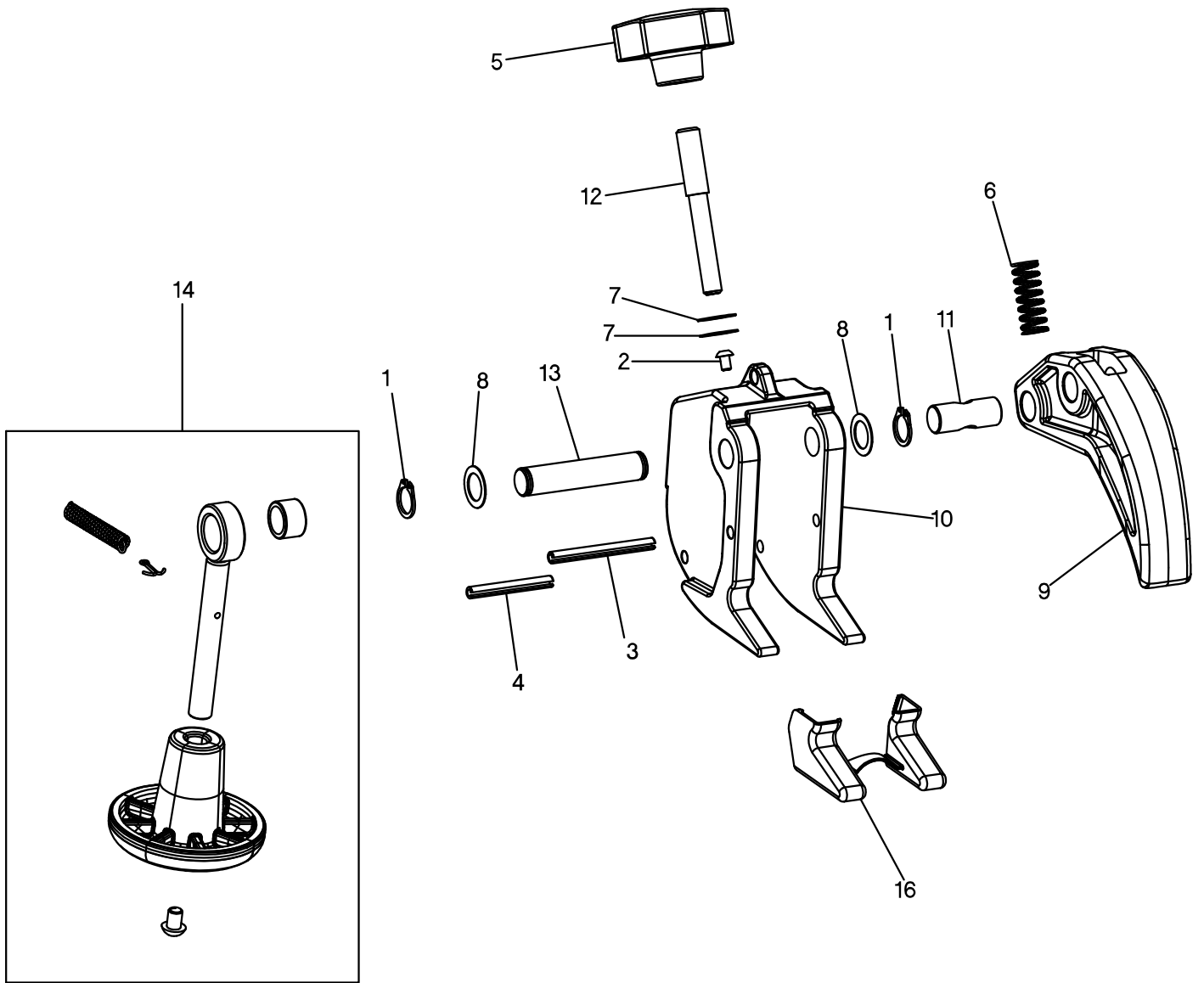


ref.	cod.	descrizione	description
1	4-115124	KIT COPERCHIO ELETT. 9 POS. 25 PIN	COVER ELECTRICAL 9 POSITION 25 PIN
2	4-115125	VALV.COMANDO CIL. FRONTALE SOLL.	FACE LIFT CYLINDER VALVE CONTROL
3	4-115125	VALV.COMANDO CIL. VERTICALE SOLL.	VERTICAL LIFT CYLINDER VALVE CONTROL
4	4-115125	VALV.COMANDO USCITA/RIENTRO TEST.	CONTROL VALVE EXIT / RETURN TOOL
5	4-115126	VALV.COMANDO RICERCA/SMONTAGGIO	CONTROL VALVE SEARCH/DISASSEMBLY HEEL
6	4-115127	VALV.COMANDO PENETRAZ.DISCHI STALL.	PENETRATION CONTROL VALVE bead breaker
7	4-115129	VALV.COMANDO ROTAZIONE TESTINA	ROTATION HEAD CONTROL VALVE
8	4-115129	VALV.COMANDO CILINDRO LASER	CYLINDER VALVE CONTROL LASER
9	4-115128	VALV.COMANDO CIL. STALLONATORE SUP.	CONTROL VALVE CYLINDER UPPER BEAD
10	4-115128	VALV.COMANDO CIL.STALLONATORE INF.	CONTROL VALVE CYLINDER LOWER BEAD
11	4-115231	GUARNIZIONE CORPO VALVOLA	VALVE BODY O-RING
12	4-115135	RELE PILOTATO BISTABILE 1W 24V DC	BISTABLE RELAY 1W 24VDC

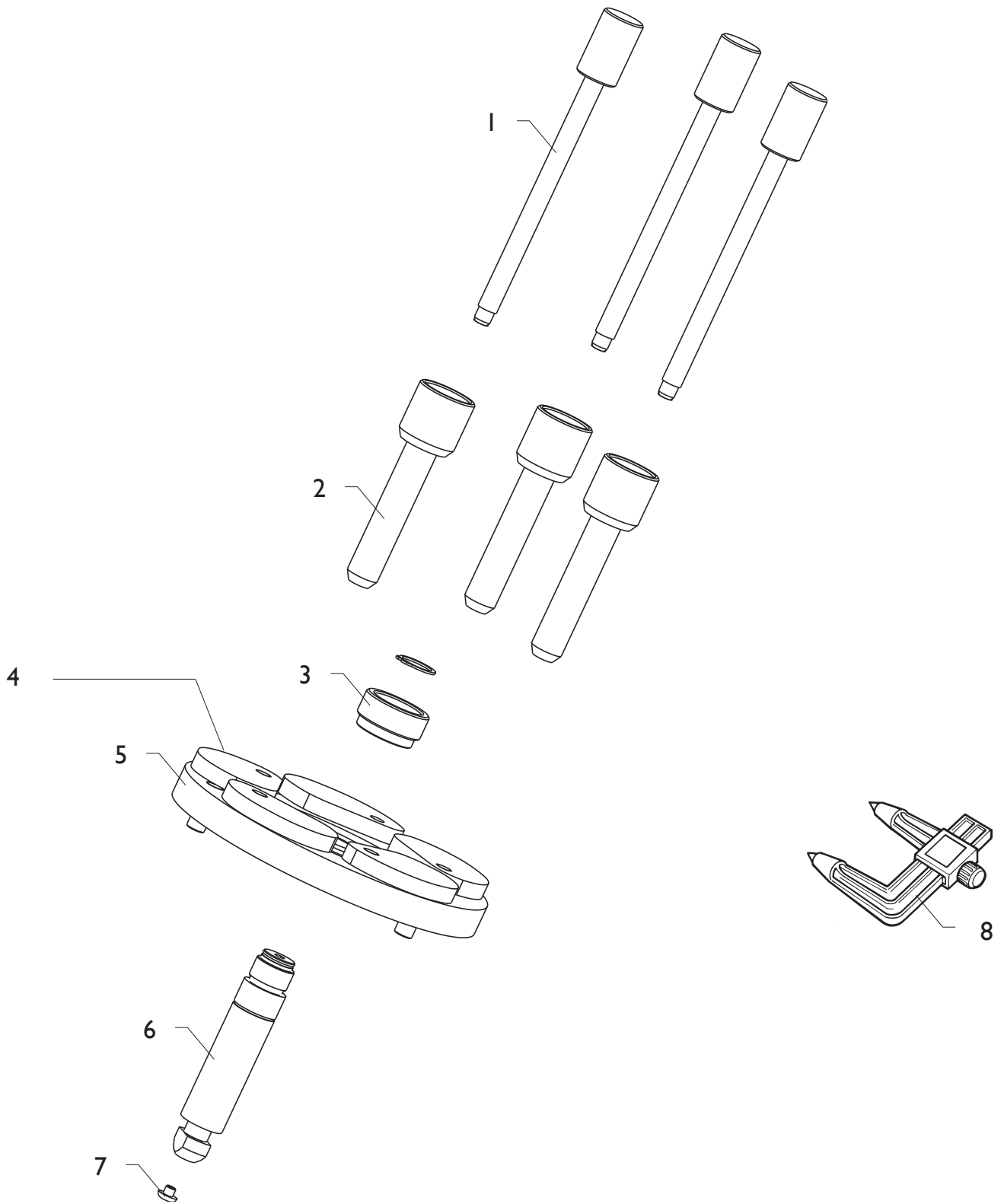


ref.	cod.	descrizione	description
1	2-00211	RONDELLA 6592-TE- 6-100HV ZI	WASHER D.6
2	2-00212	RONDELLA 6592-TE-8-100HV ZI	WASHER D.8
3	2-00309	VTCEI 4762 8.8 BR M 6X 16	HEXAGON SOCKET HEAD SCREW M 6X 16
4	2-00319	VTCEI 4762 8.8 BR M 8X 16	HEXAGON SOCKET HEAD SCREW M 8X 16
5	2-01020	DADO ES.N A.7473 6S ZI M 8	NORMAL AUTO LOCKING HEXAGON NUT M 8
6	2-01257	DADO ES.N A.7473 6S ZI M 6	NORMAL AUTO LOCKING HEXAGON NUT M 6
7	2-02339	VTE 5739 8.8 ZI M 6X 20	HEXAGON HEAD SCREW M 6X 20
8	2-02802	VTE 5737 1/2F 8.8 ZI M 8X 50	HEXAGON HEAD SCREW 1/2F M 8X 50
9	4-103831	GANCIO FISS. CONT. GRASSO	MOUNTING HOOK CONTAINER GREASE
10	4-103832	LAMIERA FERMO	RETAINER PLANE
11	4-108471	CARTER ANTERIORE	FRONT COVER
12	4-108472	CARTER CHIUSURA SOLLEVATORE	CARTER LIFT
13	4-108474	COVER LATERALE	SIDE COVER
14	4-108477	COVER POSTERIORE SUPERIORE	UPPER REAR COVER
15	4-108478	COVER POSTERIORE INFERIORE	LOWER REAR COVER
16	4-108479	LAMIERA COVER CENTRALE	COVER SHEET
17	4-108480	LAMIERA PROTEZIONE ROTELLE	PROTECTION PLATWE WHEELS
18	4-108482	TUBO SUPPORTO MANIGLIA	LOCKING HANDLE SUPPORT
19	5-102404	CARTER AUTOCENTRANTE CPL	COMPLETE TURNTABLE COVER
21	422019	PIEDE	SUPPORT
22	462087	SUPPORTO CONI	CONE SUPPORT
23	5-101236	SUPP.PORTAGRASSO 3,5-5KG	GREASE SUPPORT 3,5-5KG
24	5-103591	SUPPORTO CON SPECCHIO	SUPPORT WITH MIRROR
25	5-104673	KIT ADESIVI MASTER CODE	STIKER KIT MASTER CODE
26	5-104682	KIT LAMIERE INFERIORI	LOWER PLATE KIT
27	5-104683	KIT LAMIERE SUPERIORI	TOP PLATE KIT

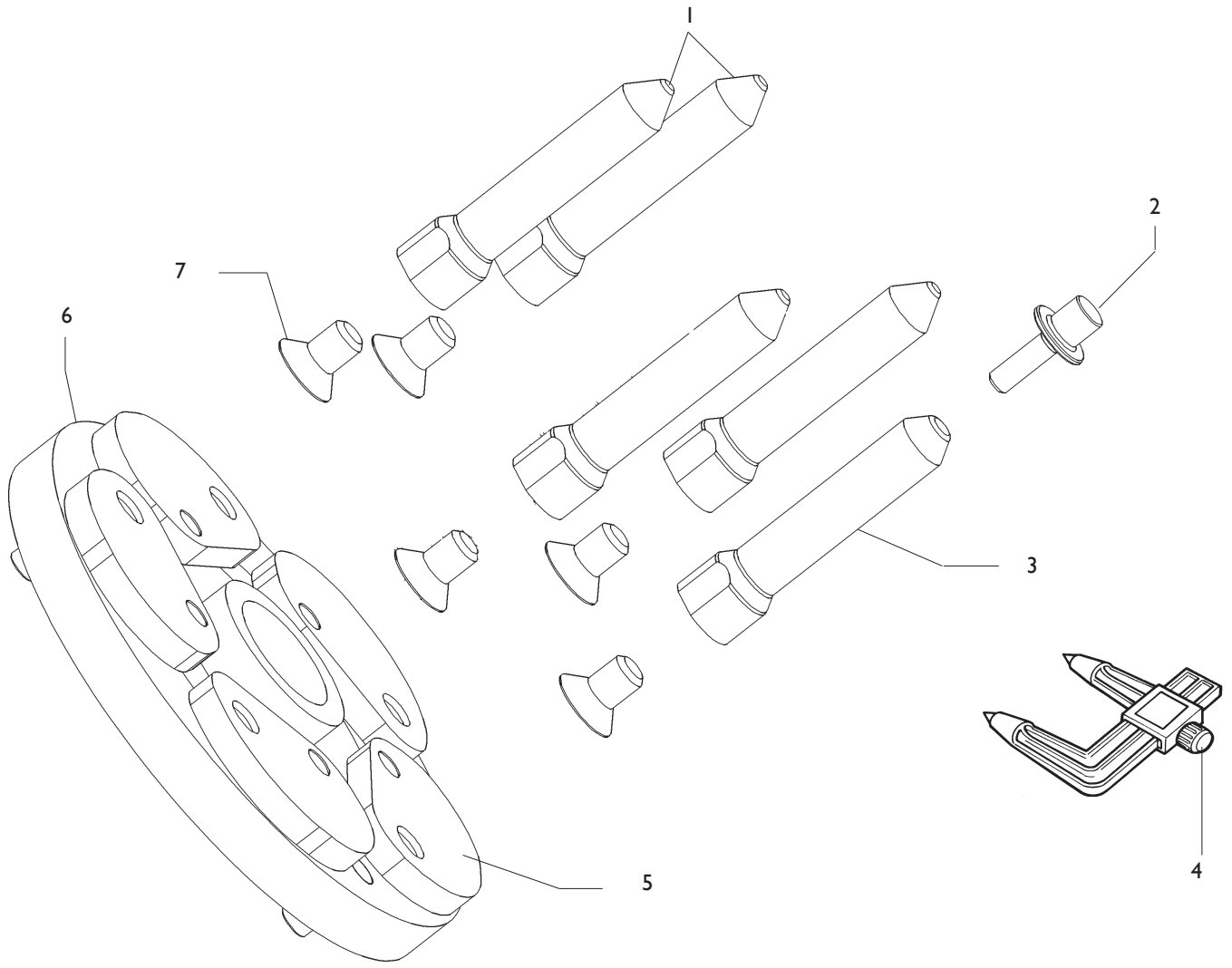




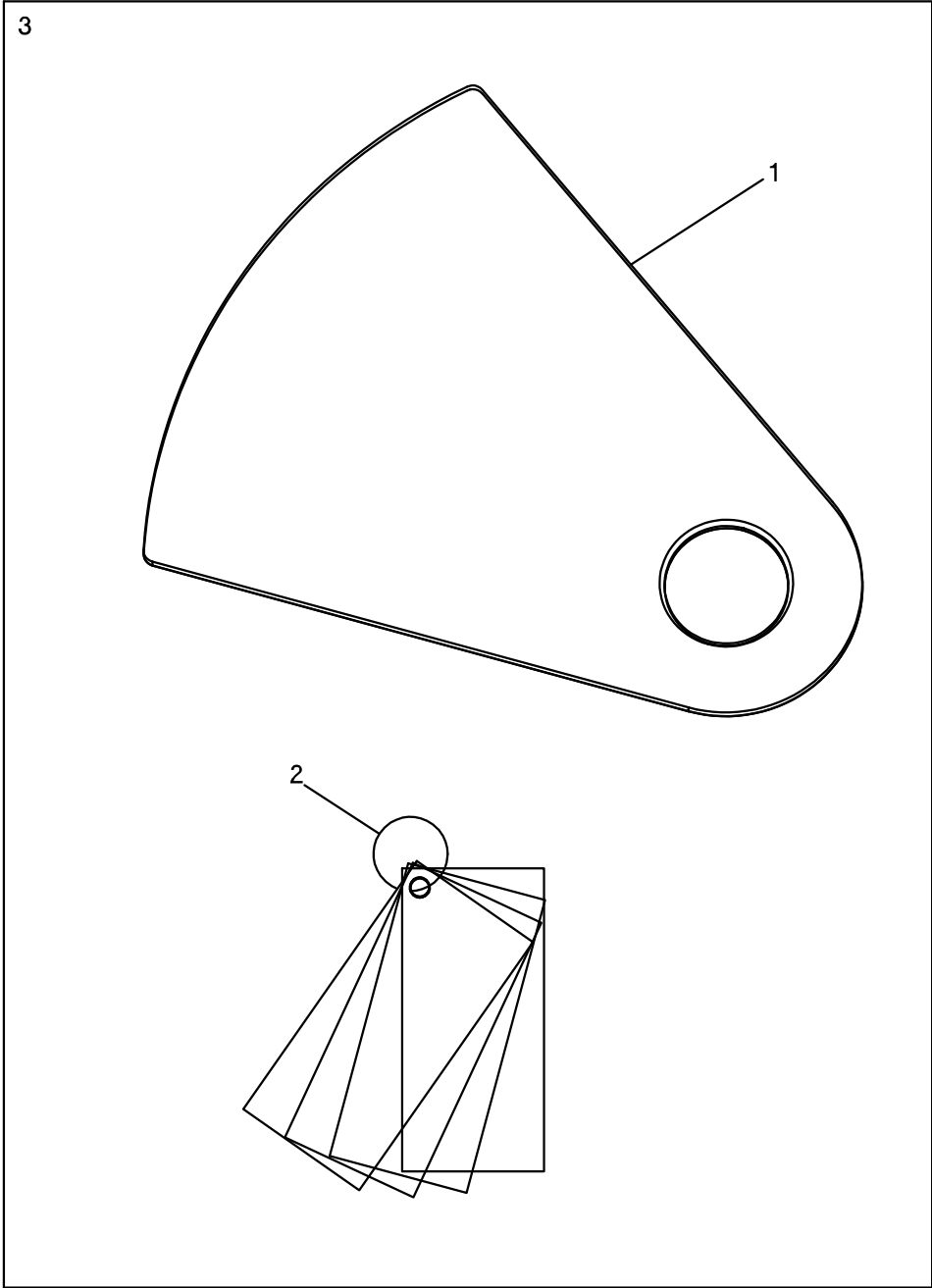
ref.	cod.	descrizione	description
1	2-00025	ANELLO EL. 7435 D 12	SEEGER D.12
2	2-02152	VTBEI ISO7380 BR M 4X 6	CONVEX HEAD SCREW HEXAGON SOCKET M 4X6
3	2-02219	SPINA EL.ISO8752 A D 5 X50	PLUG D 5 X50
4	2-71566	SPINA EL.ISO8752 A D 5 X40	PLUG D 5 X40
5	3-01715	VOLANTINO A LOBI D50 M10	HANDWHEEL D.50 M10
6	3-01760	MOLLA C 11,5X30X1,5 A/2375	SPRING C11,5X30X1,5 A/2375
7	309358	RONDELLA ACC.D. 8X16,5X0,5	WASHER D. 8X16,5X0,5
8	315274	RONDELLA ACC.D. 12X18X0,5	WASHER D. 12X18X0,5
9	4-104051	DITO	U-BOLT
10	4-104235	CORPO MORSETTO	BODY CLAMP
11	4-104258	PERNO FORATO PICCOLO	SMALL PIN HOLE
12	4-104259	PERNO A DUE FILETTI	STUD WITH TWO THREADS
13	4-104271	PERNO CON CAVA	PIN
14	5-101642	DISCO A SPINTA	DISC THRUST
15	8-11100120	MORSETTO BASCULANTE	CLAMP
16	8-11100126	KIT 6 PROTEZIONI	KIT SIX PROTECTIONS



ref.	cod.	descrizione	description
1	361647	VITE FISSAGGIO CERCHI CIECHI	WHEELS BLIND RIMS FIXING SCREW
2	361648	GHIERA FISSAGGIO CERCHI CIECHI	BLIND NUT FIXING WHEELS
3	4-103766	GHIERA SERRAGGIO FLANGIA	LOCKING FLANGE NUT
4	4-107023	BIELLA	ROD
5	5-102422	FLANGIA RUOTE CIECHE 6P	UNIVERSAL BLIND FLANGE WHEELS WITH SIX PETALS
6	4-103765	BARRA BLOCCAGGIO FLANGIA	BAR LOCKING FLANGE
7	461560	PROTEZIONE	PROTECTION
8	2008157	RILEVATORE	HOLE TRACER



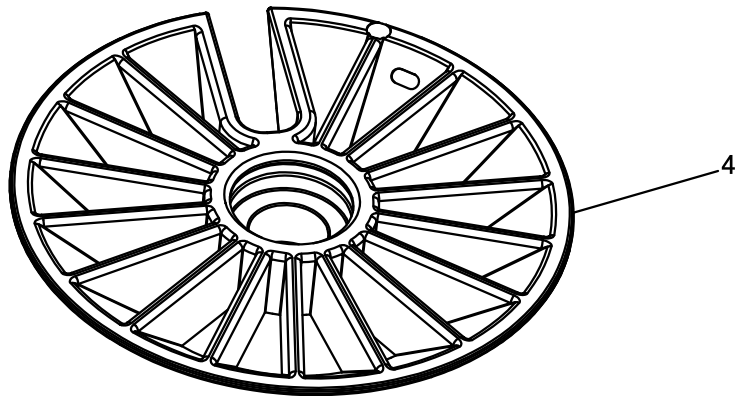
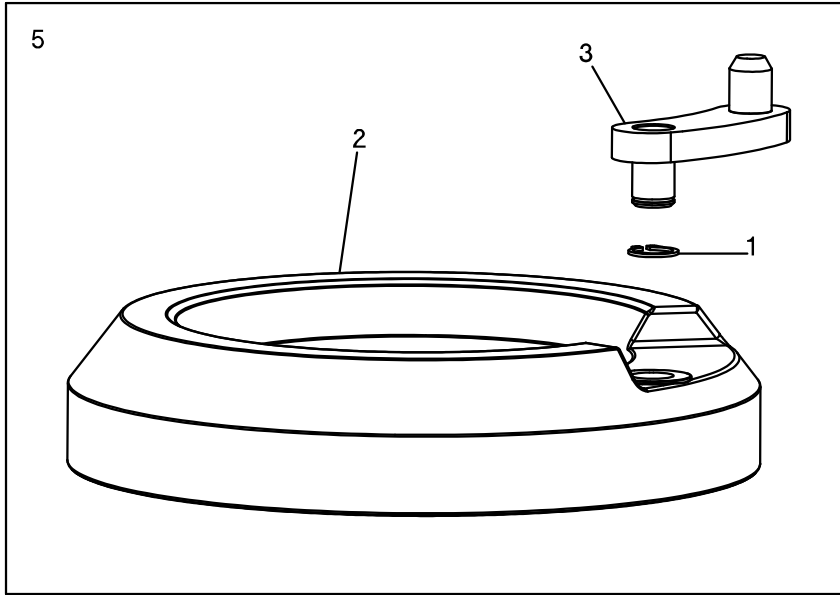
ref.	cod.	descrizione	description
1	5-102720	COLONNETTA CERCHI ROVESC	COLUMN FOR WHEELS DOWN
2	4-102377	GHIERA SERRAGGIO	CLAMPING RING
3	5-102721	COLONNETTA CON SERRAGGIO	COLUMN WITH CLAMPING RING
4	2008157	RILEVATORE	HOLE TRACER
5	4-107024	BIELLA	ROD
6	5-102421	SET FLANGIA CERCHI ROVESC 6P	SIX PETALS FLANGE FOR WHEELS DOWN
7	2-71769	VTSPEI_5933 10.9 BR M12X20	HEXAGON SOCKET FLAT HEAD SCREW M12X20



ref.	cod.	descrizione	description
1	4-108159	DIMA TARATURA	CALIBRATION JIG
2	5-104880	KIT SPESSORI	THICK TURRET CALIBRATION KIT
3	8-11100187	KIT DIMA TARATURA	CALIBRATION JIG KIT



6



ref.	cod.	descrizione	description
1	2-00026	ANELLO EL. 7435 D 14	SEEGER D.14
2	4-102360	ANELLO DISTANZIALE LAVORATO	SPACER RING
3	4-103110	MANOVELLA COMPLETA	COMPLETE CRANK
4	461667	CONO D.187	CONE D.187
5	5-100690	ANELLO DISTANZIALE COMPLETO	COMPLETE SPACER RING
6	8-11100037	KIT CERCHI FURGONE	TRUCK WHEEL KIT



Via per Carpi, n°9 - 42015 Correggio (RE) ITALY  
Tel. ++39 0522 639111 - Fax ++39 0522 639150  
[www.corgchi.com](http://www.corgchi.com) - [info@corgchi.com](mailto:info@corgchi.com)

Code 4-108540A

Production date :05 / 2012

Il disegno è realizzato con tutti i particolari ma solo quelli codificati sono forniti come ricambi. L'Azienda si riserva la facoltà di apportare modifiche senza preavviso.

The drawing shows all parts but only the coded parts are supplied as spares. The Company reserves the right to make modifications without prior notice.