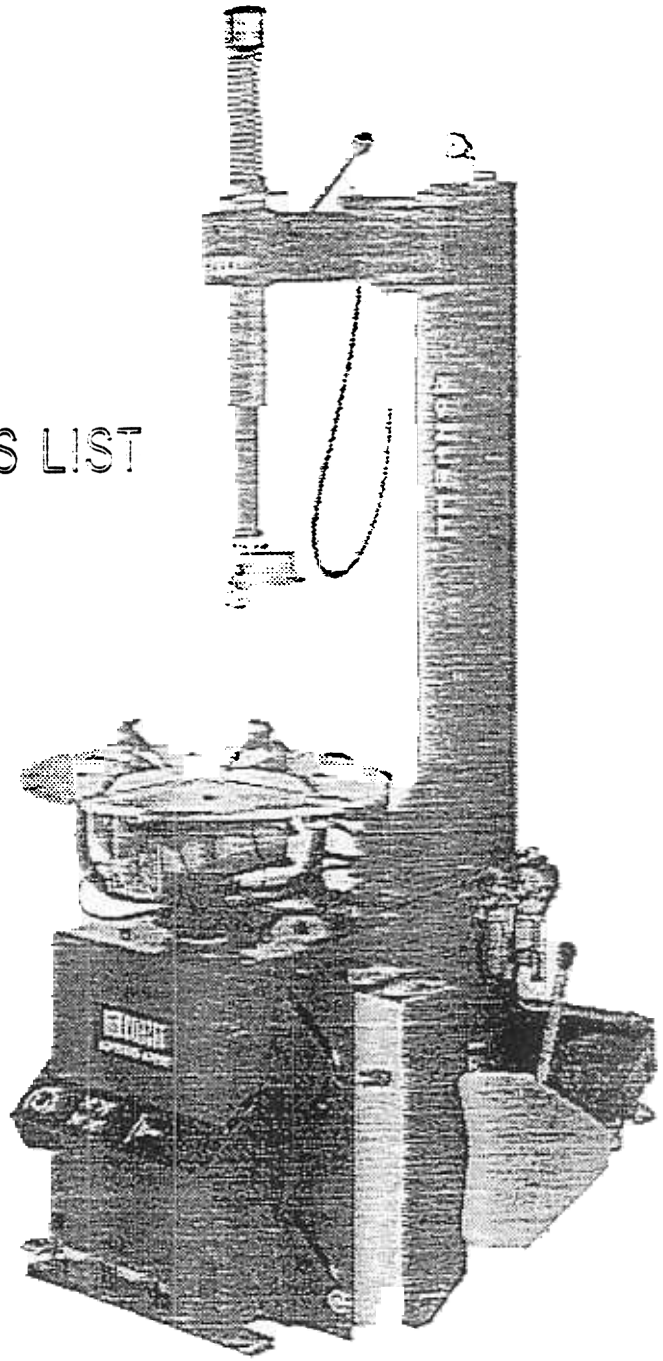
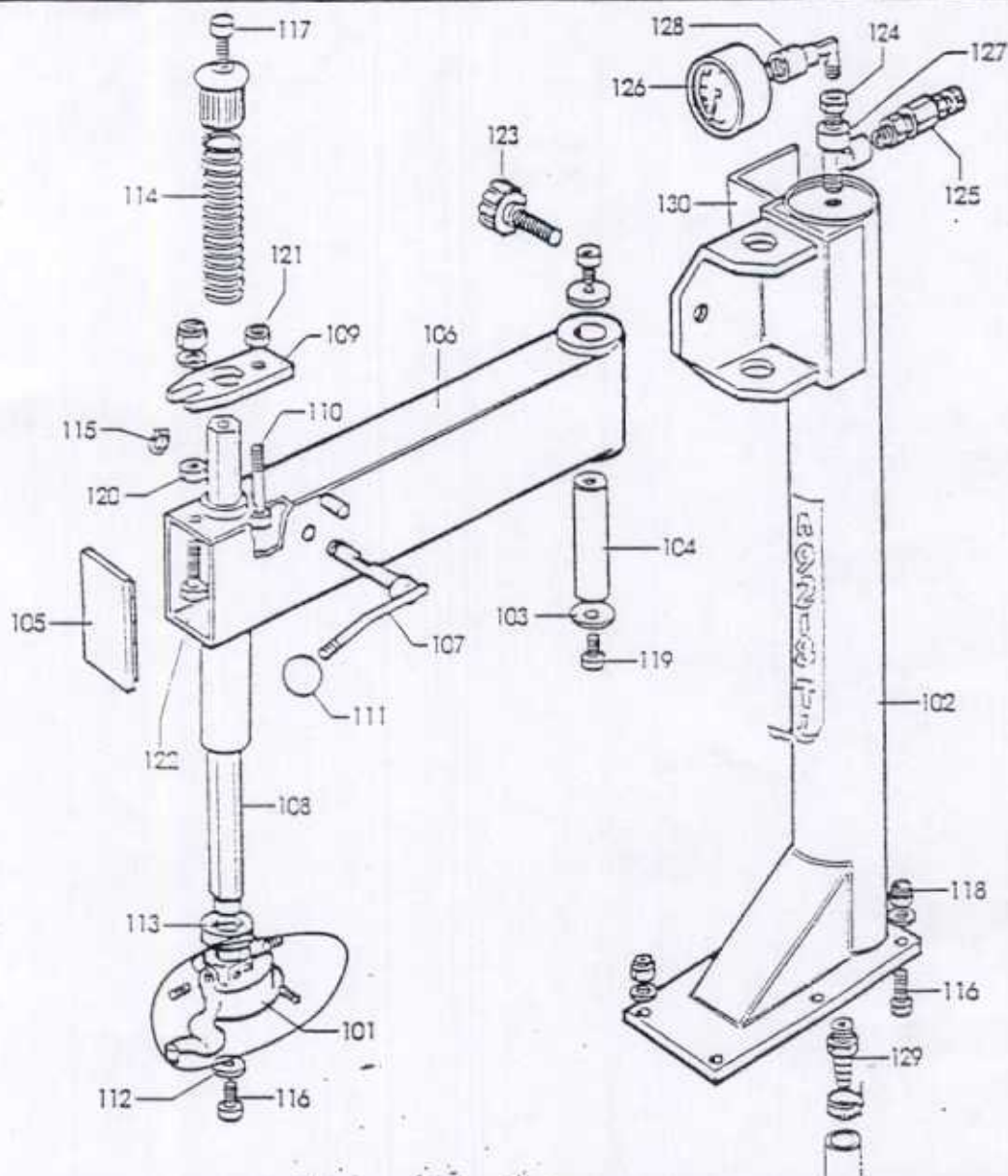


SPARE PARTS LIST



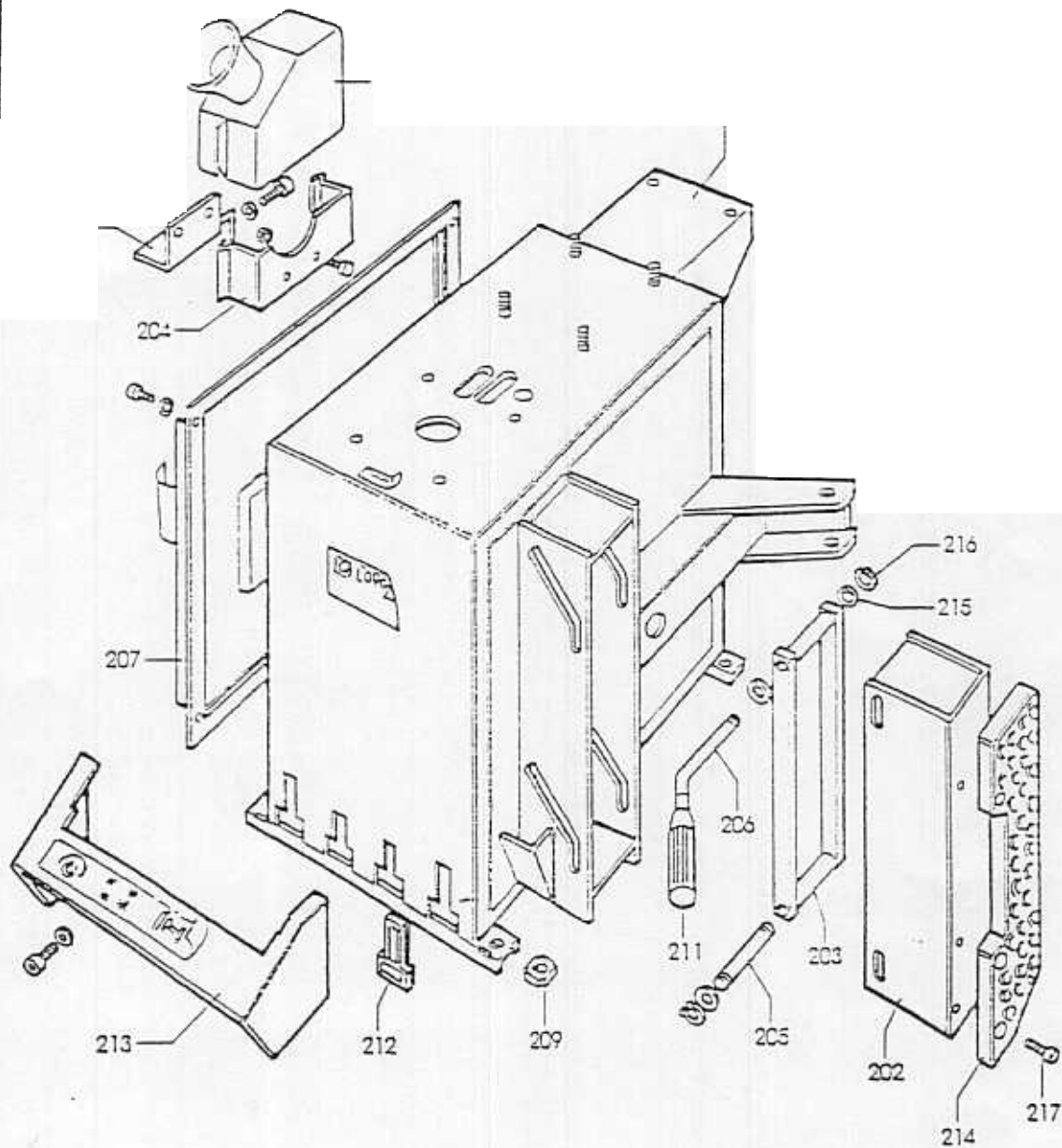
11/92





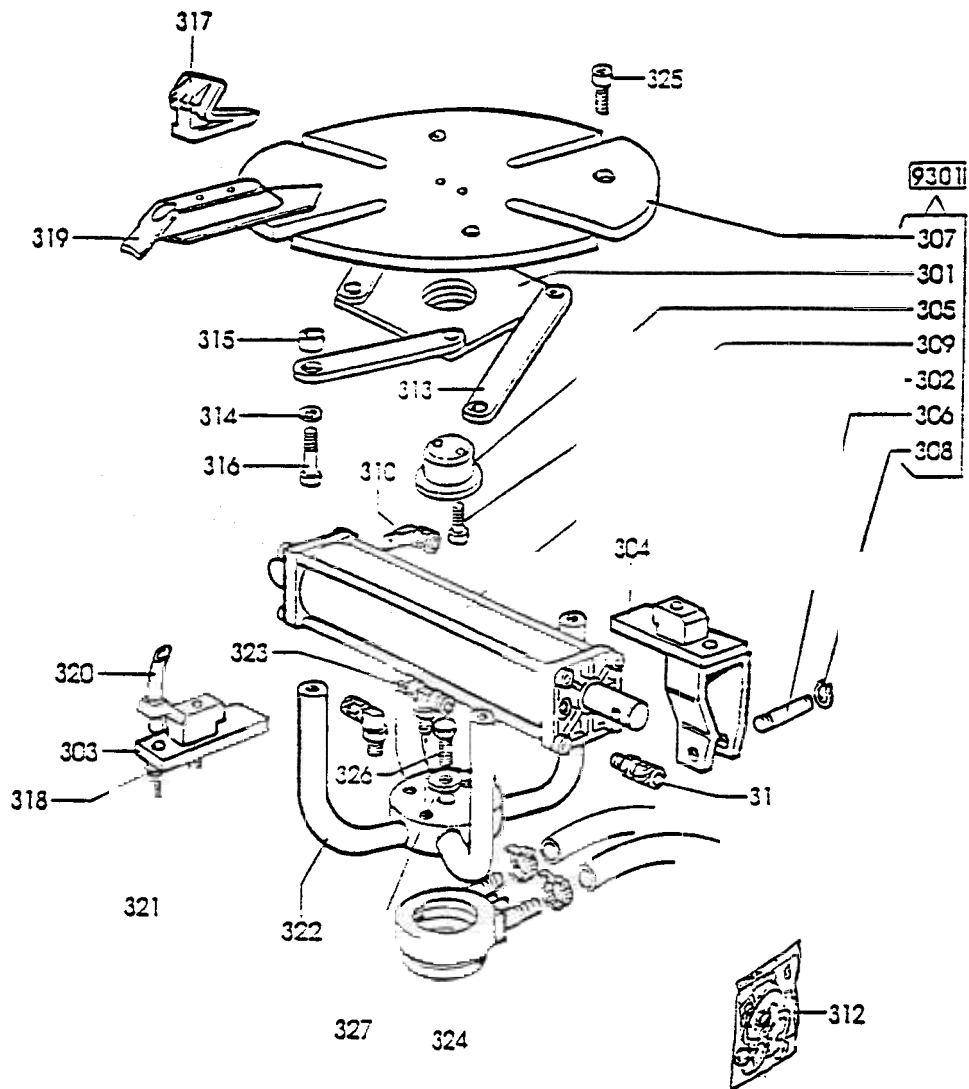
N°	Code	Description
101	226477	T.A. mount/demount head 245706
102	238768	Upper arm
103	318216	Washer (Ø50x12.5x4)
104	323881	Arm pin
105	429971	Arm cover
106	238779	Horizontal arm
107	223877	Locking arm
108	340343	Vertical arm
109	341001	Vertical locking plate
110	341249	Locking screw
111	423889	Knob
112	424275	Steel washer (Ø10.25x33x4)
113	428681	Seal ring
114	440341	Spring (4.5x532x3.2)
115	600025	Snap ring 7435 Ø12

N°	Code	Description
116	600379	Screw (5739 8G 3R M10x20)
117	600901	Screw (5931 1/2F 8G 3R M8x50)
118	601019	Hex. nut (7473 Z M10)
119	601225	Screw (5739 8G 3R M12x25)
120	600152	Hex. nut (5588 3R M10)
121	600153	Hex. nut (5588 3R M12)
122	600382	Screw (5739 8G 3R M8x5)
123	441580	Adjustment knob
124	440942	Nipple (M/F 3/8"-1/8" 2530)
125	435077	Valve (A11/T11.5)
126	434818	Manometer (Ø40 12BAR-PS 1/8")
127	440941	T fitting (1M/2F 3/8" 2070)
128	441609	90° fitting (M/F 1/8" 2021)
129	337704	Fitting (1" G.)
130	338808	Manometer box support



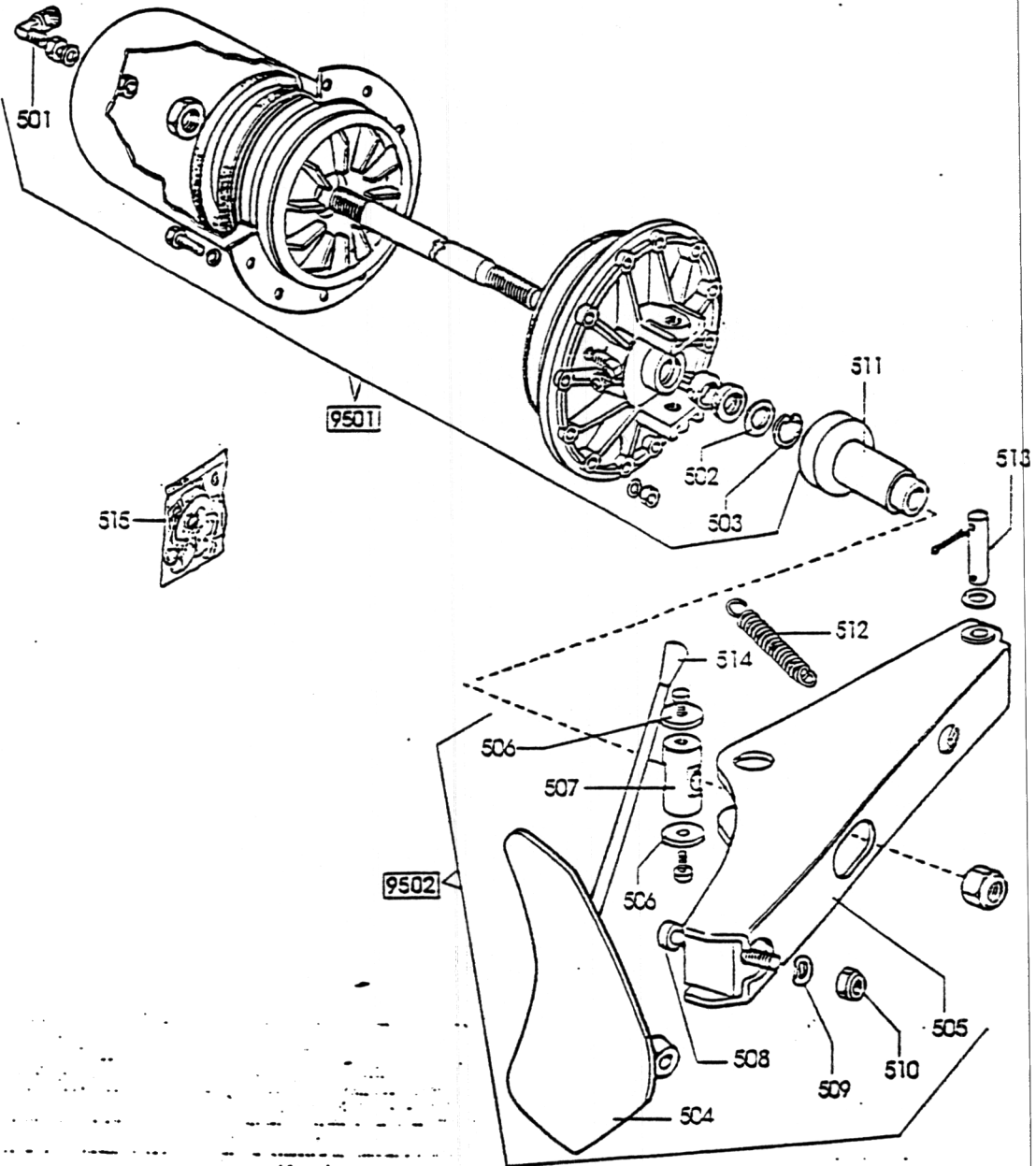
N°	Code	Description
201	241004	Chassis
202	238911	Extension
203	239050	Connecting rod
204	315522	Lube bucket support
205	339046	Short pin
206	339456	Handle pin
207	341176	Side panel
208	341259	Support bracket
209	422019	Foot

N°	Code	Description
210	423405	Lube bucket
211	425219	Handle
212	429006	Plug
213	429976	Guard
214	436199	Long rim support
215	600215	Washer (FE 6592 Ø15x28)
216	601122	Snap ring (7435 Ø15)
217	601885	Screw (5933 Max25)



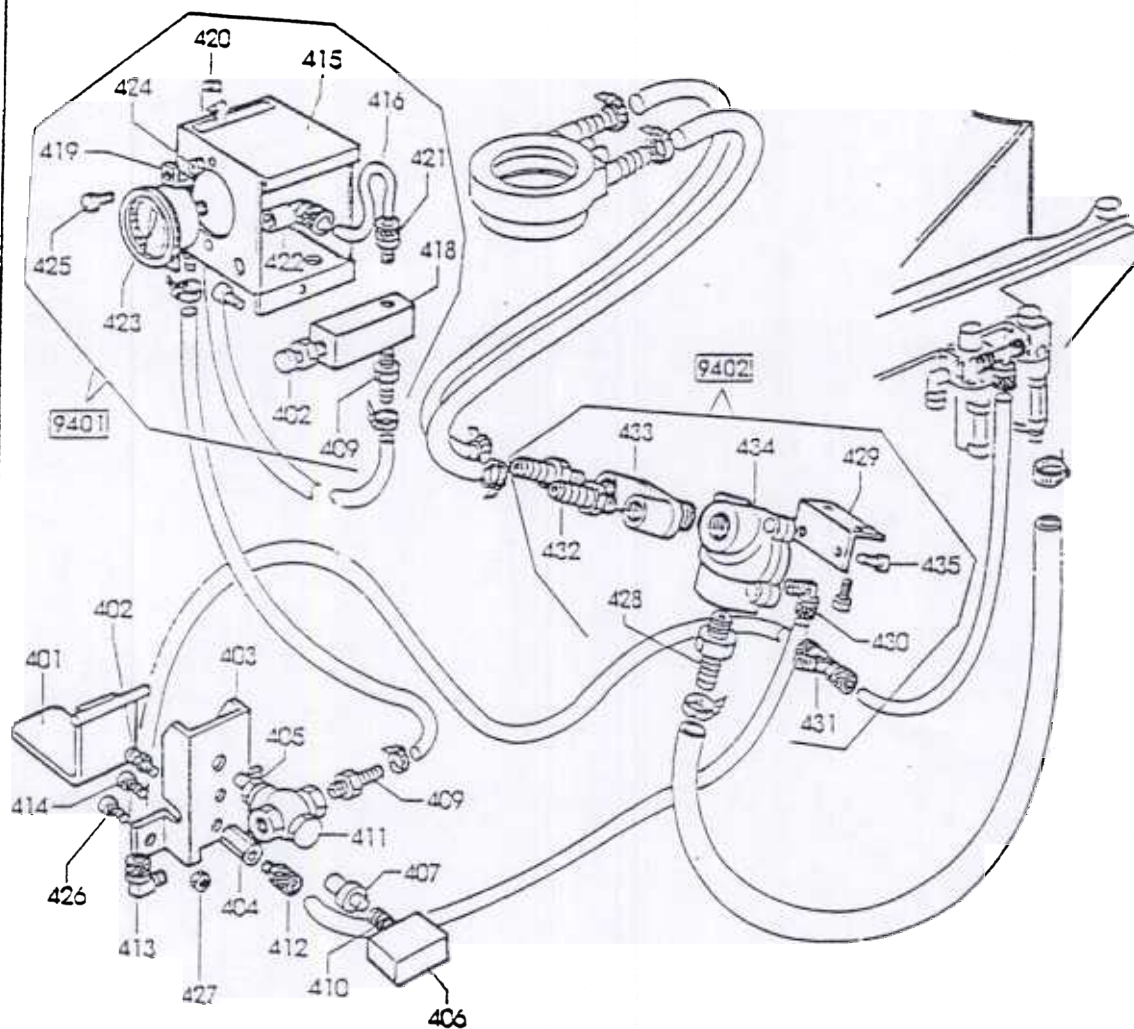
N°	Code	Description
9301	241164	Turntable assembly including:
301	223793	Range
302		
305	323792	
306	339162	Pin (Ø12)
307	341106	Turntable
308	600025	
309		
310	414842	
311	417408	
312		

N°	Code	Description
314	323795	Steel washer (Ø35x12.5x3)
315	323796	Sustaining
316	338508	Screw (M12x73 10/0)
317	340927	Chucking gripper (18°)
318	341599	Washer (Ø16.25x20x2)
319	341600	Rubber bumper (18°)
320	435285	Tubeless tyre inflation nozzle
321	441598	Fitting (6521 1/4 10)
322	242004	Turntable support
323	442008	T fitting (6410-103/8)
324	241987	Swivel fitting
325	600328	Screw (5931 8G 8R M10x20)
326	601216	Screw (5740 10K 3R M16x1.5x35)
327	330824	Washer (Ø16.5x42x10)



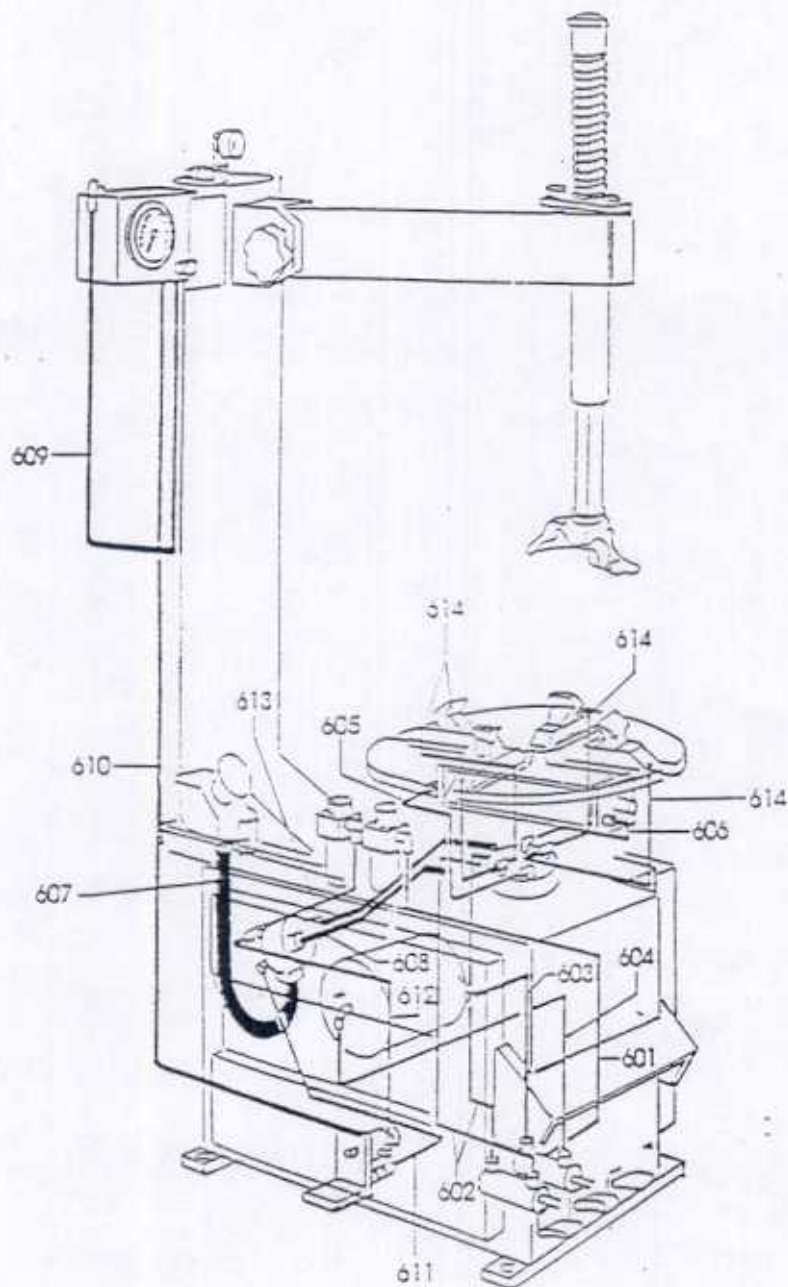
N°	Code	Description
9501	239042	Bead-breaking cylinder including:
501	418350	90° fitting (10/8-1/8")
502	325561	Steel washer (Ø24x29.8x0.5)
503	434031	Stop ring
9502	239043	Bead-breaker assembly blade including:
504	224000	Blade
505	224003	Bead-breaking assembly
506	323901	Washer (Ø8.25x40x3)
507	339045	Swivel pin

N°	Code	Description
508	324008	Blade pin
509	409650	Split washer (Ø12)
510	422255	Locknut (M12)
511	239061	Socket
512	439105	Spring (23x120x3)
513	323903	Bead-breaker arm titanium pin
514	402177	Handle
515	238212	Seal kit for bead-breaking cylinder



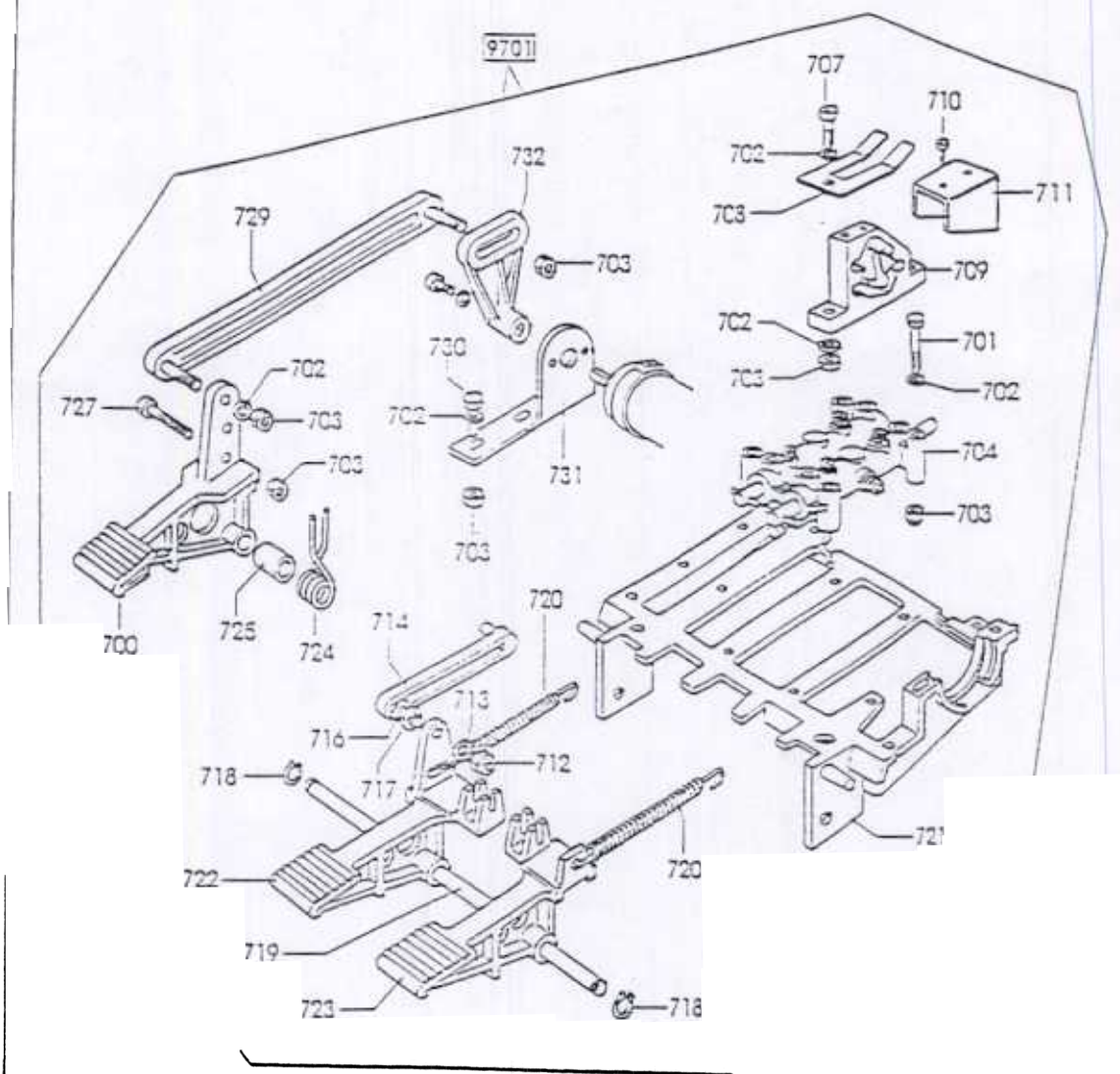
N°	Code	Description
401	238708	Inflating pedal
403	334769	Valve support
404	338576	Spacer (1/4" L32)
405	338577	Spacer (Ø22x1.5xL3)
406	338684	Spring clock
407	338685	Pin
410	425595	Spring (H13x25)
411	434921	Kingston valve (1/4") with nut
412	438672	Fitting (1/4" 6510)
413	438673	90° fitting 1/4-8 6500)
414	600999	Screw (5931 8G 8R M6x18)
9401	236366	Box + manometer (BAR - PSI) including:
402	235463	Valve
409	421670	Hose fitting
415	234171	Manometer box
416	321610	PA11 Rilsan nose (Ø6x1 L175)
418	334036	Fitting
419	334174	Manometer support

N°	Code	Description
420	410419	Doyle fitting
421	425013	Fitting (M 6/4-1/4")
422	434180	90° fitting (F-1/4" 6/4-1493)
423	436364	Manometer (Ø80 1/4" 0-10 BAR-PSI)
424	600149	Hex. nut (5588 8R M4)
425	600289	Screw (5931 8G 8R M4x10)
426	600321	Screw (5931 8G)
427	421349	Nut (M8)
9402	241275	KPM valve assembly including:
428	337705	Fitting (1" GAS)
429	341248	Bracket
430	438664	90° fitting (6500 6 1/8")
431	438665	T fitting (6410 8 1/4")
432	441144	Fitting (17-1/2" 2601)
433	441145	Y fitting (1"-1/2")
434	441597	Valve (KPM 1" GAS)
435	600909	Screw (5931 8G 8R)



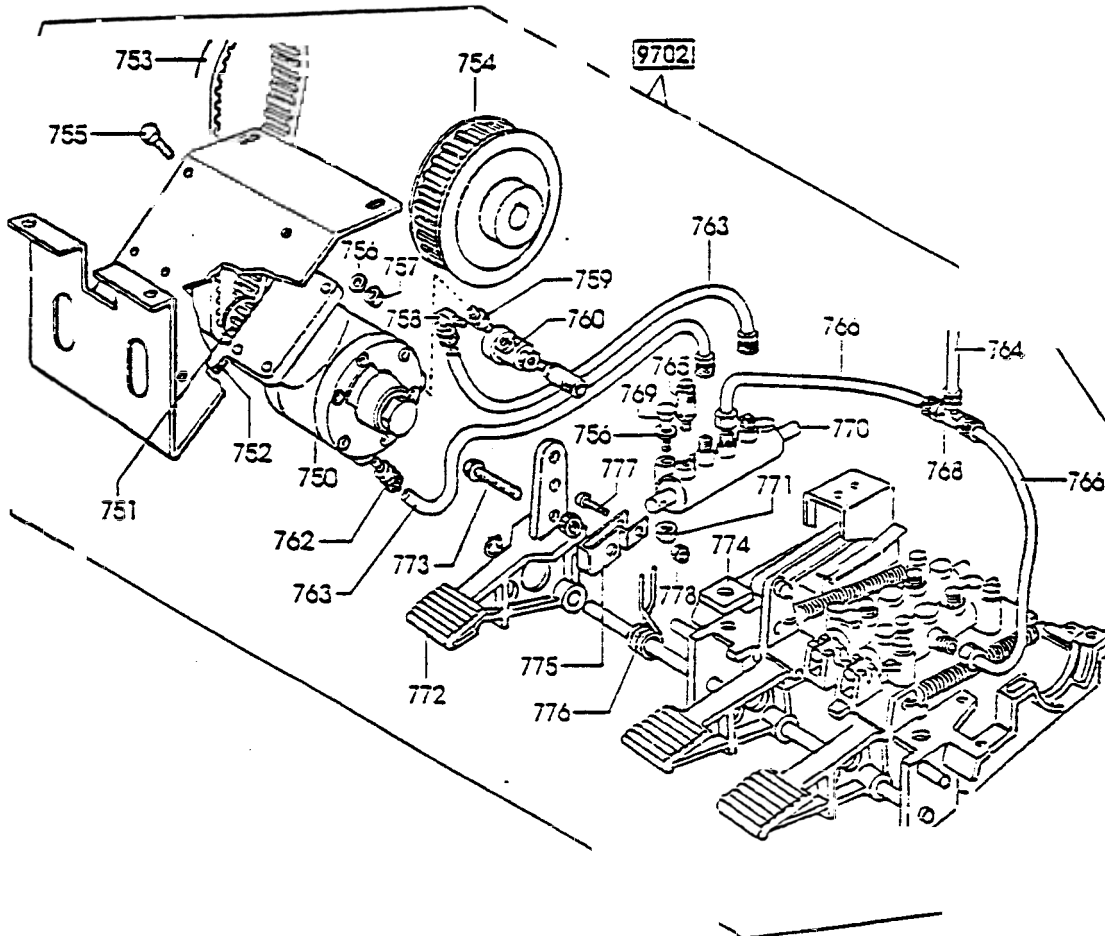
N°	Code	Description
601	315273	PA11 Riscan hose (Ø8x1 L300)
602	322707	PA11 Riscan hose (Ø6x1 L755)
603	326359	PA11 Riscan hose (Ø10x1 L500)
604	324639	PA11 Riscan hose (Ø10x1 L300)
605	315267	PA11 Riscan hose (Ø6x1 L220)
606	322704	PA11 Riscan hose (Ø6x1 L300)
607	341278	Hose (NL18 25/37 L300)

N°	Code	Description
608	341277	Hose (NL10 16/26 L410)
609	332444	Hose (ØINT.5 - ØEXT.14 L1250)
610	339425	Hose (ØINT.5 - ØEXT.14 L1600)
611	330021	PA11 Riscan hose (Ø6x1 L610)
612	319484	PA11 Riscan hose (Ø8x1 L545)
613	337286	PA11 Riscan hose (Ø8x1 L350)
614	330966	PA11 Riscan hose (Ø10x1 L250)



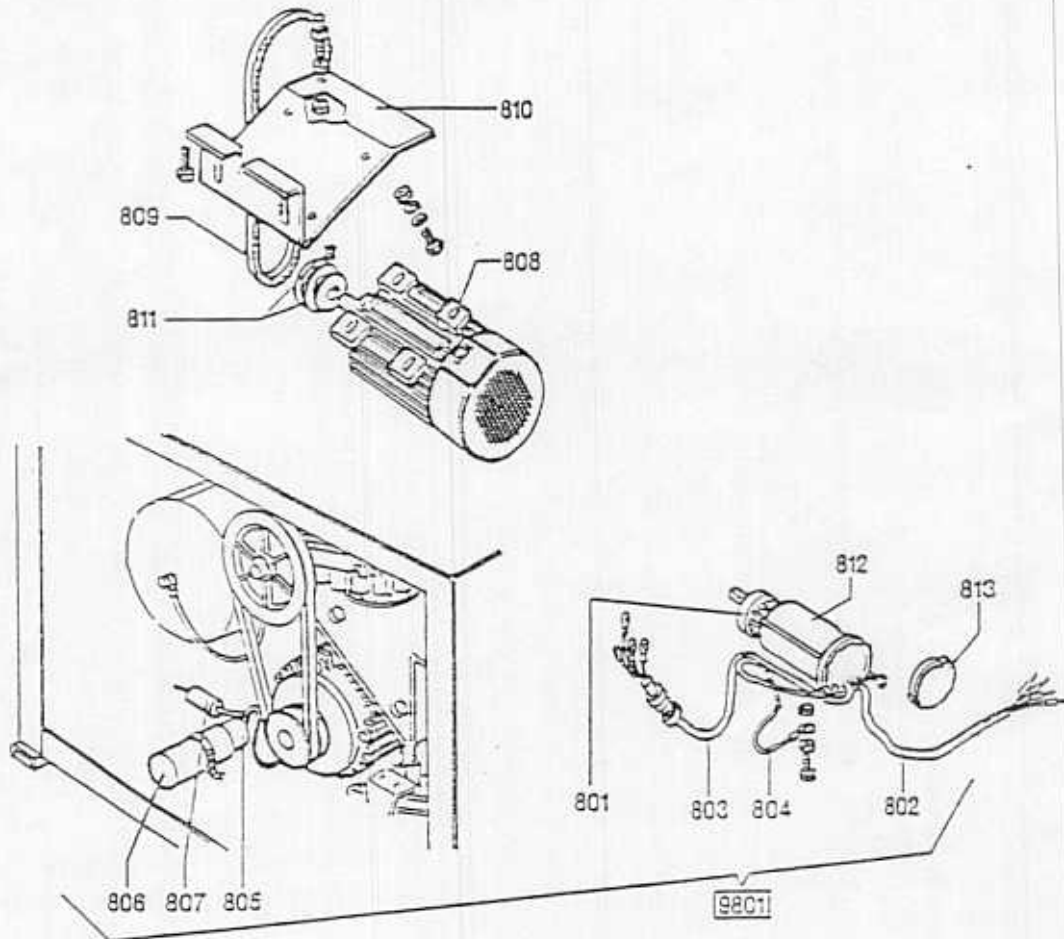
N°	Code	Description
9701	241201	Pedal assembly including:
700	325029	Reverser pedal
701	600411	Screw (1/2 M6x50)
702	600211	Washer (6592 Ø6.4x12.5)
703	601022	Hex. nut M6
704	228473	Foot valve
707	600312	Screw (M6x25)
708	325019	Spring leaf
709	425020	Cam
710	600641	
		Bracket
712	601137	

N°	Code	Description
717	309358	Steel washer (8x16.5x0.5)
718	600025	Snca ring (Ø12)
719	325583	Pedal assembly pin
720	410628	Spring (14x94x2)
721	324273	Pedal chassis
722	325031	Turntable pedal
723	325032	Bead-breaker pedal
724	428682	Switch control level
725	325050	Soccer
727	600366	Screw (M6x40)
730	600362	Screw (M6x20)
731	334758	Switch bracket
732	404283	Switch arm



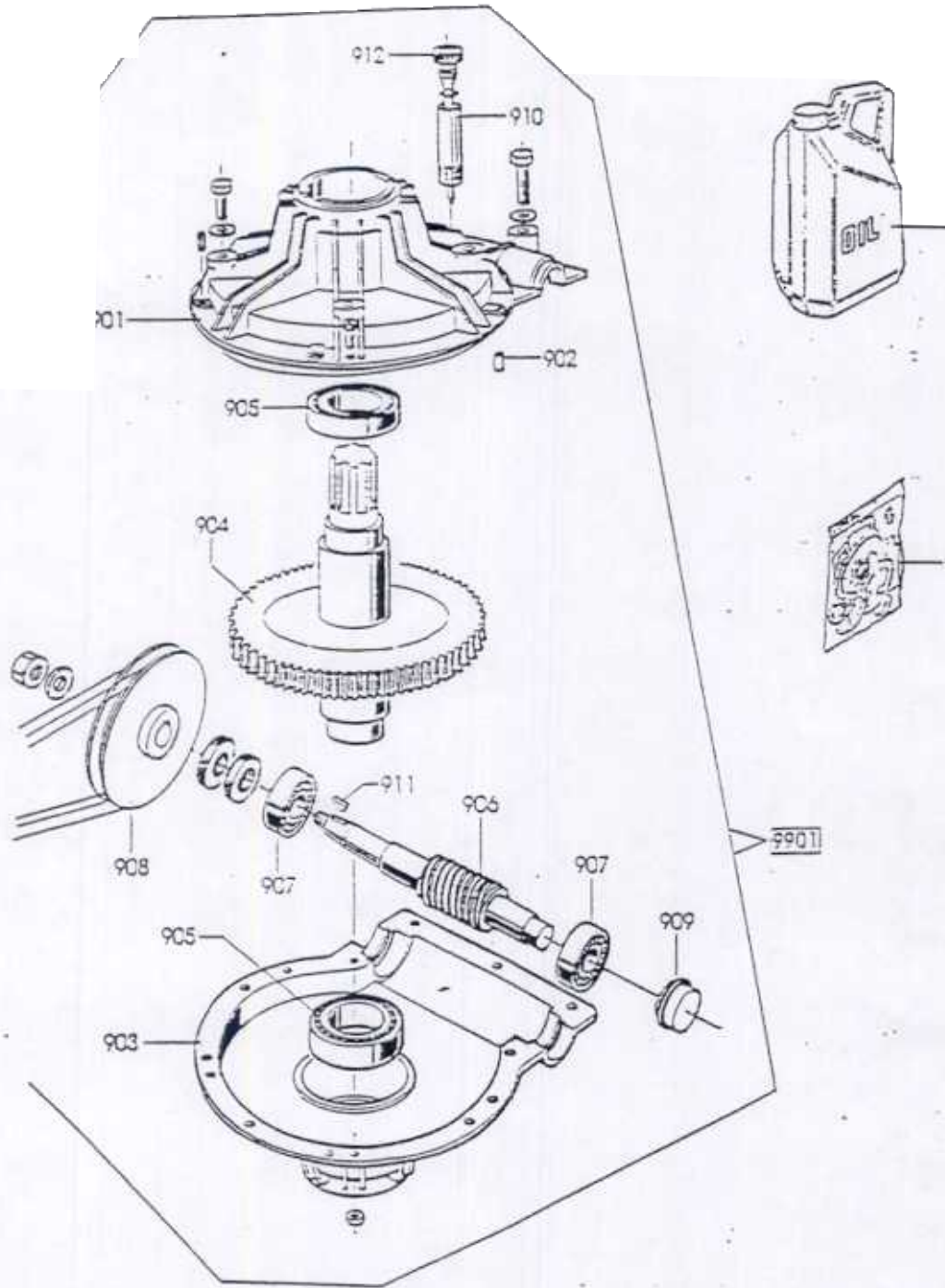
N°	Code	Description
9702	270526	Air pedal assembly including:
750	319135	Air motor
	319076	Driving pulley
		Screw (Max5)
753	425238	Toothed belt (240 L 100)
754	319073	Driven pulley
755	600363	
756		
757		
758	418350	90° fitting (10/8-1/8)
759	419142	Conical nipple (1/4")
760	419141	Exhaust valve
762	419140	Fitting (M 10/8-1/4")
763	324639	PA11 Rilsan hose (∅ 10x1 L 300)

N°	Code	Description
764	315273	PA11 Rilsan hose (∅ 8x1 L 300)
765	422682	Muffler (1/8")
766	322705	PA11 Rilsan hose (∅ 8x1 L 220)
768	415860	Three-way fitting
769	600411	Screw (Max50)
770	229059	Air pedal assembly valve



N°	Code	Description
9801	235572	110V Single Phase electric system incl:
801	435363	Switch
802	230709	Neoprene power network cord
803	225419	Motor connecting cord
804	225051	Ground wire connection
805	430750	Condenser cap
806	430713	Condenser (40MF 450VU)
807	430770	Resistance (330Kohm 1W)
9801	235573	220V Single Phase electric system incl:
801	421523	Switch
802	235520	Connecting cord
803	225419	Motor connecting cord
804	225051	Ground wire connection
805	414850	Condenser cap
806	425504	Condenser (30MF)
807	417794	Resistance (330Kohm 1W)

N°	Code	Description
9801	235574	3-Phase electric system including:
801	421523	Switch
802	235518	Connecting cord
803	225390	Connecting cord
804	225051	Ground wire connection
808	431740	220V Single Phase motor
808	430666	115V Single Phase motor
808	422013	380V 3-phase motor
808	425397	440V 3-phase motor
809	432009	V belt A23
810	334768	Motor crane mount
811	325274	Motor pulley
812	432065	Switch guard
813	430991	Guard cover



N°	Code	Description
9901	230817	Gearbox including:
901	331366	Transmission cover
902	601280	Dowel pin
903	331364	Transmission case
904	230816	Ring gear assembly
905	601220	Bearing (Ø50x80x16)
906	322867	Worm gear
907	601221	Ball bearing (Ø20x47x15.25)

N°	Code	Description
908	414344	Gearbox pulley
909	437524	Plug (Ø15x4)
910	423820	Plug extension
911	600667	Key (6x9)
912	223824	Oil plug with seal
913	700718	SAE 80 oil
914	238204	Gearbox seal kit