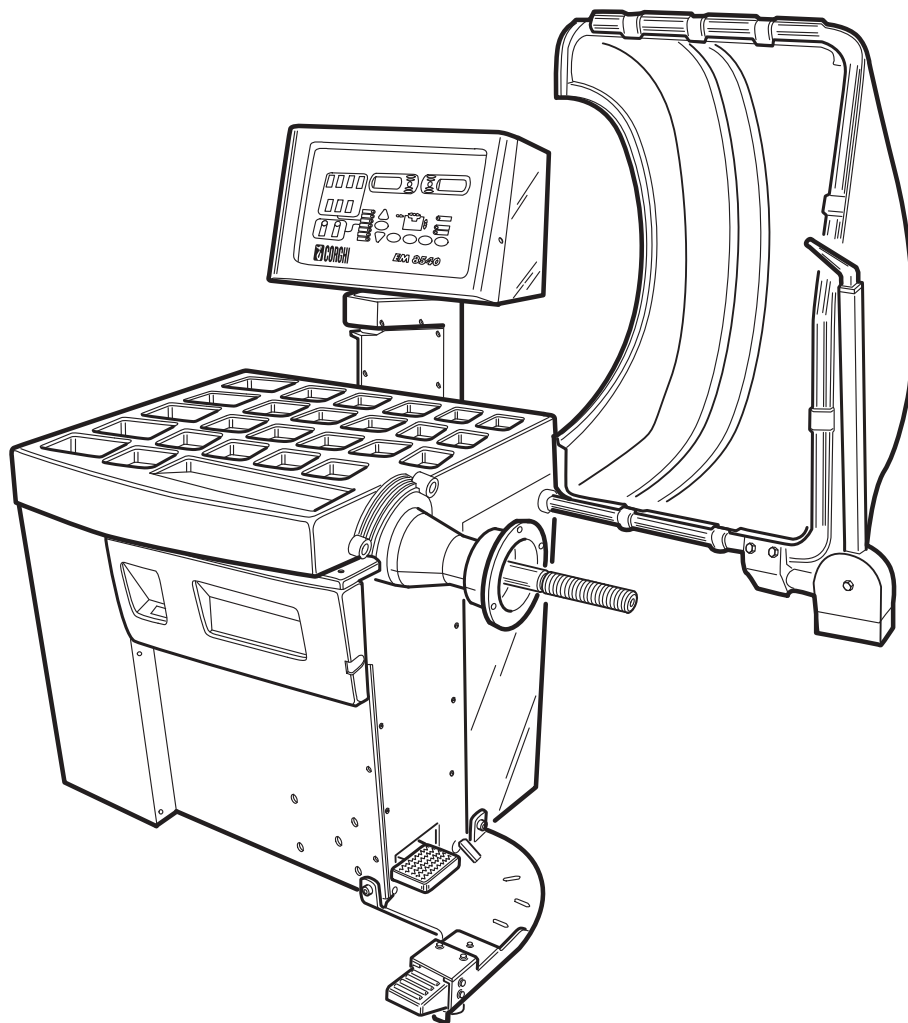


Questo libretto non autorizza l'utente ad intervenire sulle macchine ad esclusione di quanto esplicitamente descritto nel Manuale d'uso, ma consente all'utente di fornire informazioni precise all'Assistenza tecnica, al fine di ridurre i tempi di intervento.

# EM8540 N.A. D40

The "Spare parts" booklet does not authorize the user to carry out work on the machine unless expressly specified in the instruction manual, but does enable him to provide accurate information to the assistance service in order to reduce downtime.

## PEZZI DI RICAMBIO SPARE PARTS LIST ERSATZTEILLISTE PIECES DE RECHANGE



Code

4-105225A

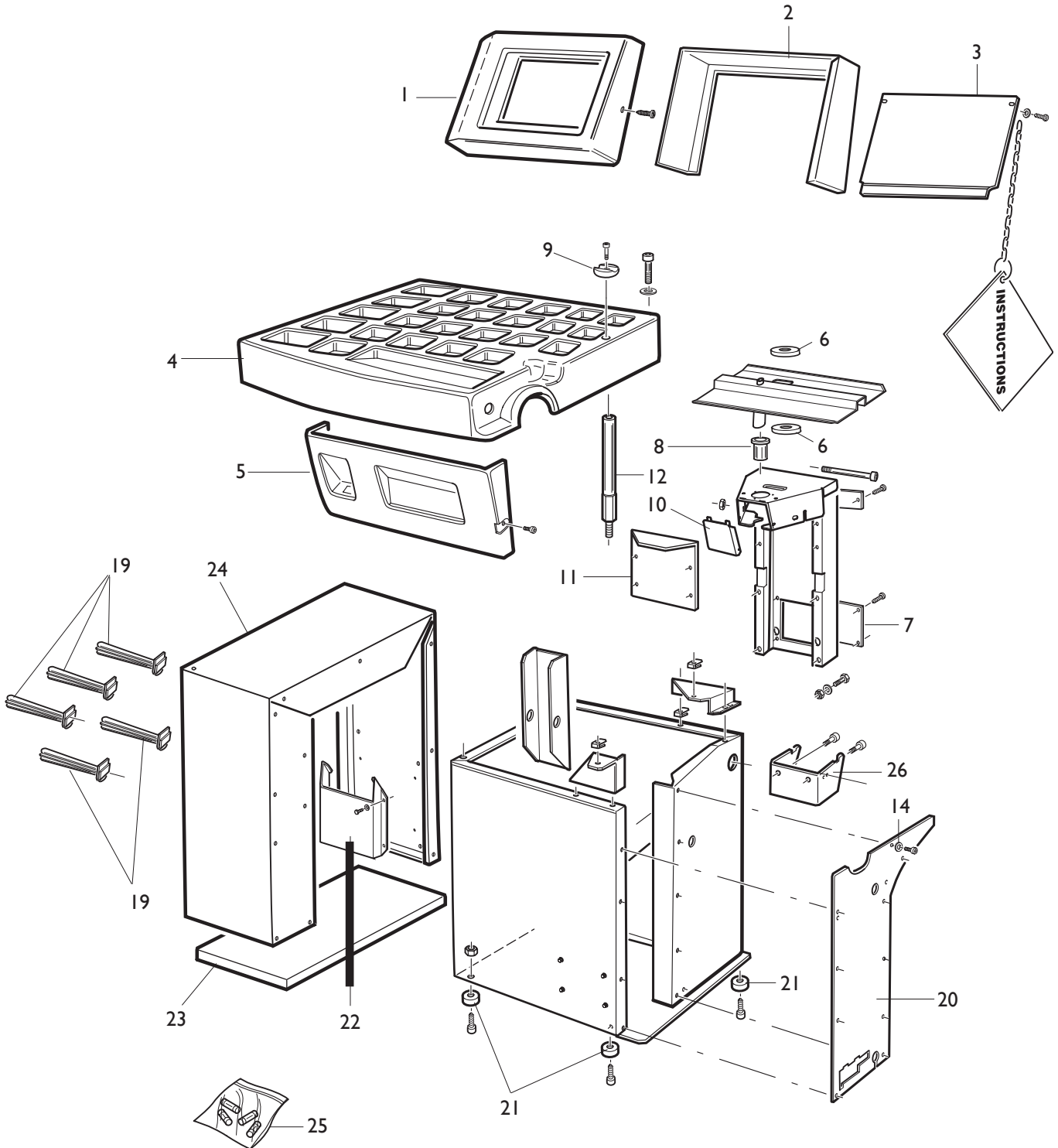
Production from

01 / 2007

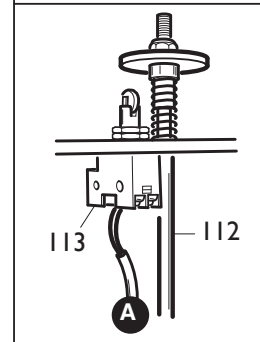
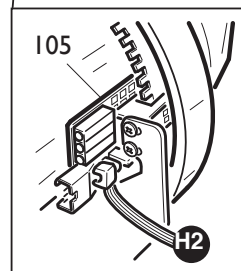
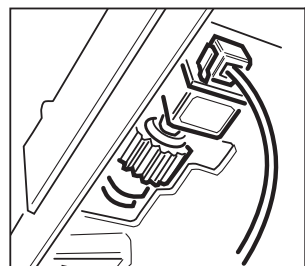
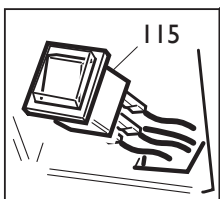
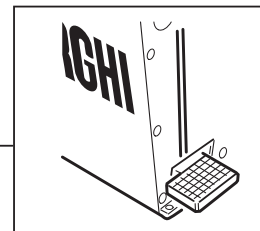
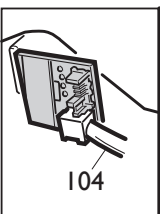
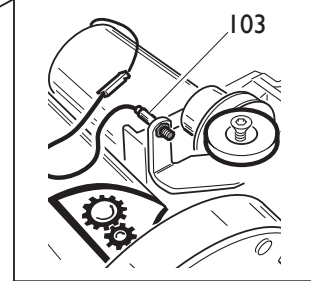
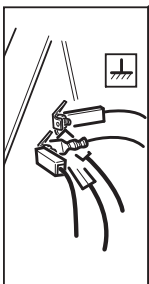
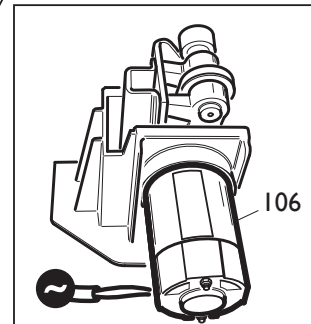
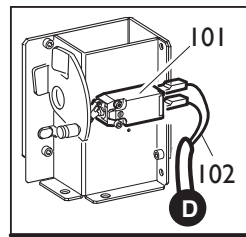
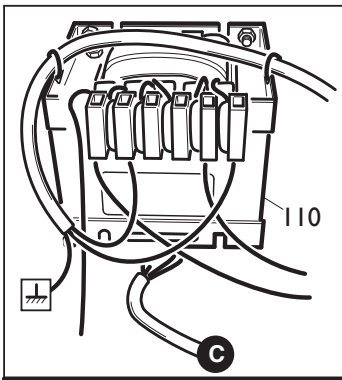
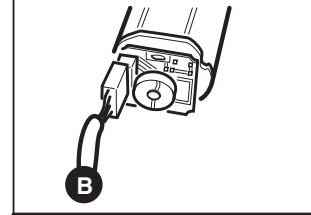
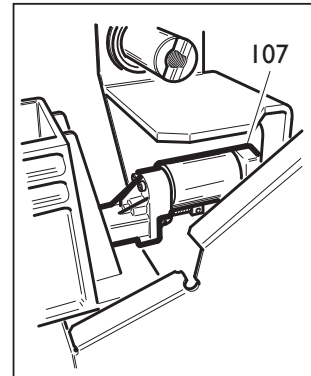
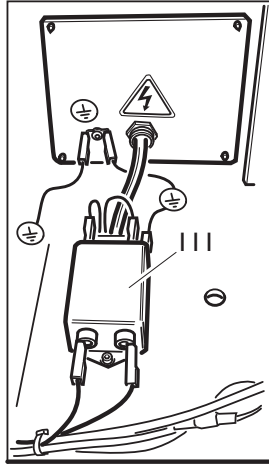
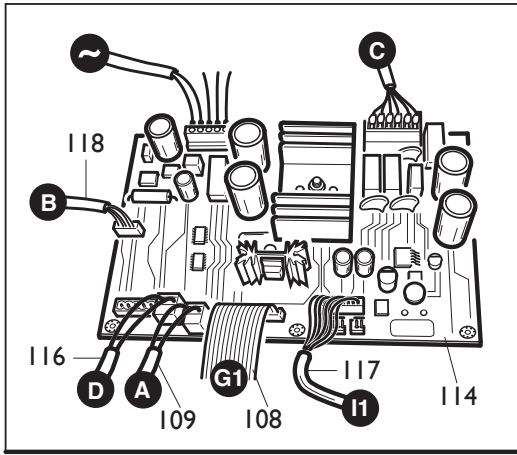
Der Katalog Ersatzteile stellt keine Genehmigung zu eigenmächtigen Eingriffen dar (mit Ausnahme jener im Handbuch beschrieben), sondern er soll den Anwender in die Lage versetzen, dem technischen Service präzise Informationen zu liefern, um die Reparaturzeiten zu verkürzen.



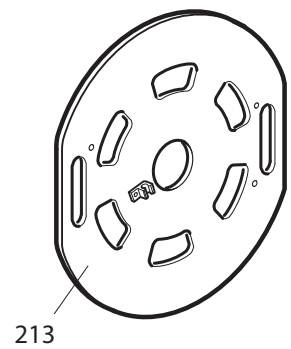
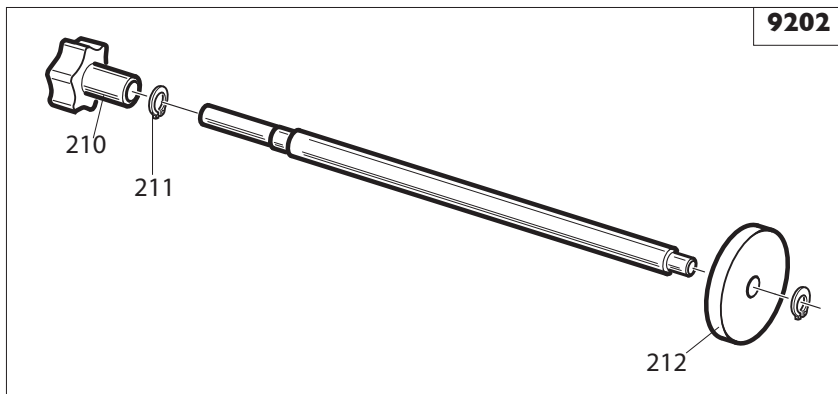
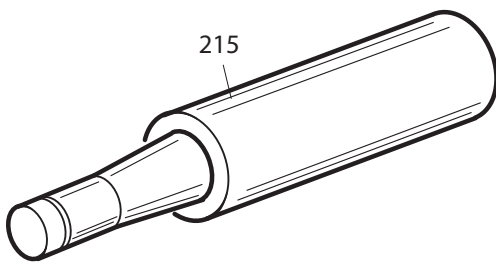
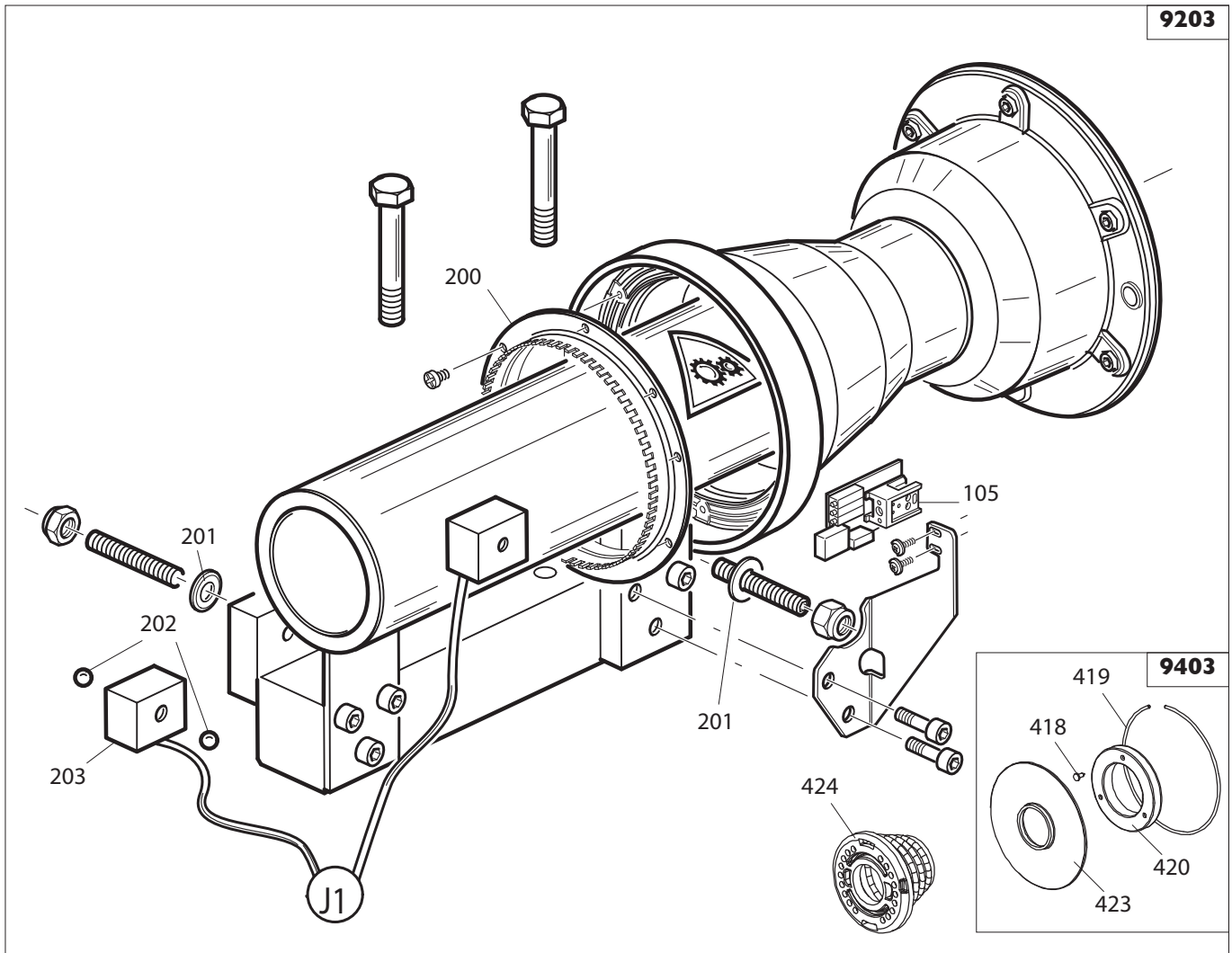
Le livret "Pièces de rechange", n'autorise pas l'utilisateur à intervenir sur les machines, sauf pour tout ce qui est clairement décrit dans le manuel d'utilisation, mais lui permet de fournir des informations précises à l'assistance technique, afin de diminuer les délais d'intervention.



0001	900460076	FRONTALE	FRONT PANEL	STIRNBAND	FRONTAL
0002	900360074	COFANO	HOOD	HAUBE	COFFRE
0003	900360075	PANNELLO	PANEL	VERKLEIDUNG	PANNEAU
0004	9004-102895	COPERCHIO	LID	DECKEL	COUVERCLE
0005	9004-102926	COFANO	HOOD	HAUBE	COFFRE
0006	900455540	PASSACAVO	FAIRLEAD	KABELDURCHFUEHRUNG	PRESSE-ETOUPE
0007	900353984	PANNELLO	PANEL	VERKLEIDUNG	PANNEAU
0008	900433663	BOCCOLA	BUSHING	LAGER	DOUILLE
0009	900336581	INCUDINE	ANVIL	AMBOSS	ENCLUME
0010	900360518	PANNELLO	PANEL	VERKLEIDUNG	PANNEAU
0011	900360069	CARTER	CASING	GEHAUSE	CARTER
0012	9004-102899	SUPPORTO	SUPPORT	LAGER	SUPPORT
0014	900453504	RONDELLA	WASHER	UNTERLEGSCHIEBE	RONDELLE
0019	900438319	SUPPORTO	SUPPORT	LAGER	SUPPORT
0020	9004-101926	COFANO	HOOD	HAUBE	COFFRE
0021	900360368	PIEDE	FOOT	FUSS	PIED
0022	900355994	CONENITORE	CONTAINER	BEHAELTER	CONTENEUR
0023	900360345	RINFORZO	REINFORCEMENT	VERSTAERKUNG	RENFORT
0024	900360047	MOBILE	CABINET	SCHRANK	MEUBLE
0025	950232942	FUSIBILE 3,15 T	FUSE 3,15 T	SICHERUNG 3,15 T	FUSIBLE 3,15 T
0025	950229690	FUSIBILE 0,5A	FUSE 0,5A	SICHERUNG 0,5A	FUSIBLE 0,5A
0025	900236665	FUSIBILE 5A T	FUSE 5A T	SICHERUNG 5A T	FUSIBLE 5A T
0025	900241582	FUSIBILE 0,5A T	FUSE 0,5A T	SICHERUNG 0,5A T	FUSIBLE 0,5A T
0025	9005-100812	SACCHETTO 3AT	BAG 3AT		
0025	9005-100813	SACCHETTO 8AF	BAG 8AF		
0025	9005-100814	SACCHETTO 20AT	BAG 20AT		
0026	9004-100033	STAFFA	BRACKET	KLAUE	ETRIER



0101	900457753	MICROINTERRUTTORE	MICROSWITCH	MIKROSCHALTER	MICROINTERRUPT
0102	900241604	CAVO	CABLE	KABEL	CABLE
0103	9004-102905	SENSORE	SENSOR	SENSOR	CAPTEURS
0104	9004-101837	CAVO	CABLE	KABEL	CABLE
0105	900249280	SCHEDA ELETTRONICA	P.C. BOARD	ELEKTR. PLATINE	FICHE ELECTR.
0106	9004-101216	MOTORE	MOTOR	MOTOR	MOTEUR
0107	9004-101223	ATTUATORE	ACTUATOR	DREHTRIEB	ACTUATEUR
0108	9004-101838	CAVO FLAT	FLAT CABLE	FLACHER KABEL	CABLE FLAT
0109	9004-101677	CAVO	CABLE	KABEL	CABLE
0110	9004-102939	TRASFORMATORE 100-115-230		TRANSFORMER 100-115-230	
0110	9004-101700	TRASFORMATORE 115-208-230		TRANSFORMER 115-208-230	
0111	9003-01530	FILTRO	FILTER	FILTER	FILTRE
0112	900453492	TIRANTE	STAY ROD	ZUGSTANGE	TIRANT
0113	9004-104349	MICROINTERRUTTORE	MICROSWITCH	MIKROSCHALTER	MICROINTERRUPT.
0114	9004-103608	SCHEDA ELETTRONICA	P.C. BOARD	ELEKTR. PLATINE	FICHE ELECTR.
0115	950433848	INTERRUTTORE	SWITCH	SCHALTER	INTERRUPTEUR
0116	9004-101674	CAVO	CABLE	KABEL	CABLE
0117	9004-103199	CAVO	CABLE	KABEL	CABLE
0118	9004-101759	CAVO	CABLE	KABEL	CABLE



<b>9203</b>	<b>9005-100971</b>	<b>GRUPPO</b>	<b>ASSEMBLY</b>	<b>GRUPPE</b>	<b>GROUPE</b>
0200	900449310	DISCO	DISK	SCHEIBE	DISQUE
0105	900249280	SK ELETTRONICA	P.C. BOARD	ELEKTR. PLATINE	FICHE ELECTR.
0201	900424993	MOLLA	SPRING	FEDER	RESSORT
0202	900600243	SFERA	BALL	KUGEL	BILLE
0203	900243591	PICK-UP	PICK-UP	PICK-UP	PICK-UP
0424	9005-101468	ANELLO	RING	RING	ANNEAU

<b>9402</b>	<b>9005-101667</b>	<b>CENTRAGGIO</b>	<b>SPIGOT</b>	<b>ZENTRIERUNG</b>	<b>CENTRAGE</b>
0418	9002-01272	VITE	SCREW	SCHRAUBE	VIS
0419	9004-101740	ANELLO	RING	RING	ANNEAU
0420	9004-102027	DISTANZIALE	SPACER	ABSTANDSSTUECK	ENTRETOISE
0423	9004-103166	DISCO	DISK	SCHEIBE	DISQUE

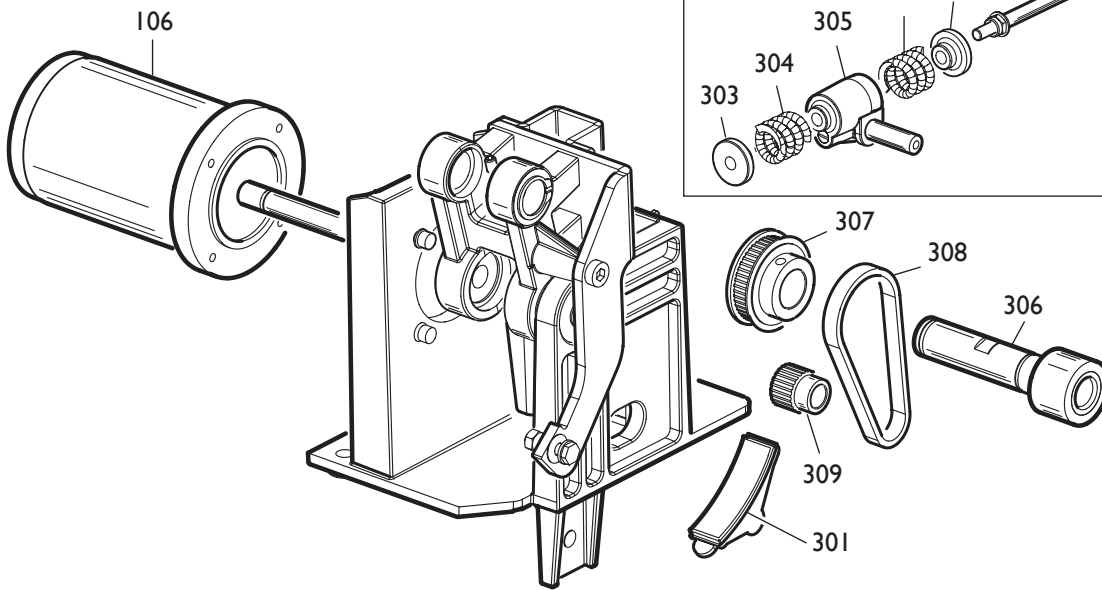
  

<b>9202</b>	<b>900259719</b>	<b>CONTRAPPESO</b>	<b>COUNTERWEIGHT</b>	<b>GEGENGEWICHT</b>	<b>CONTREPOIDS</b>
0210	900459932	MANOPOLA	KNOB	BALLENGRIFF	BOUTON
0211	900600021	ANELLO	RING	RING	ANNEAU
0212	900449334	ANELLO	RING	RING	ANNEAU

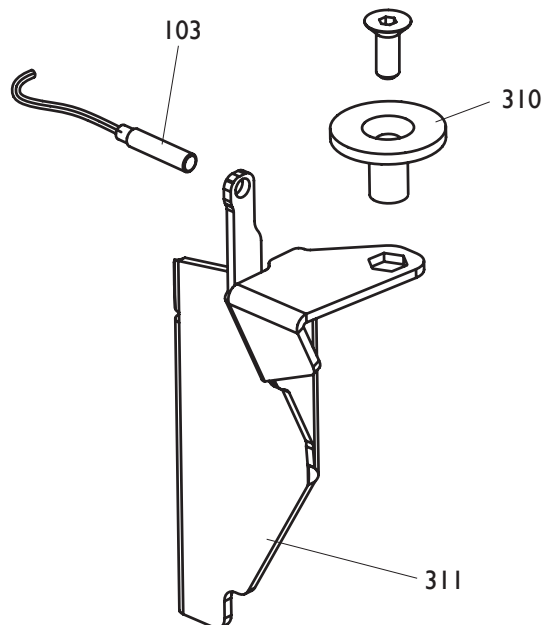
  

0213	9005-100026	DISCO	DISK	SCHEIBE	DISQUE
0215	9005-101514	MOZZO	HUB	NABE	MOYEU

9302



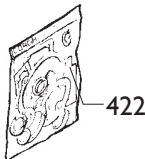
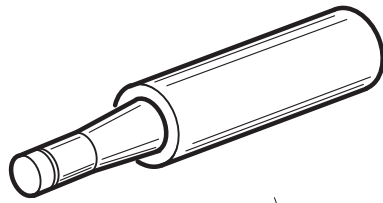
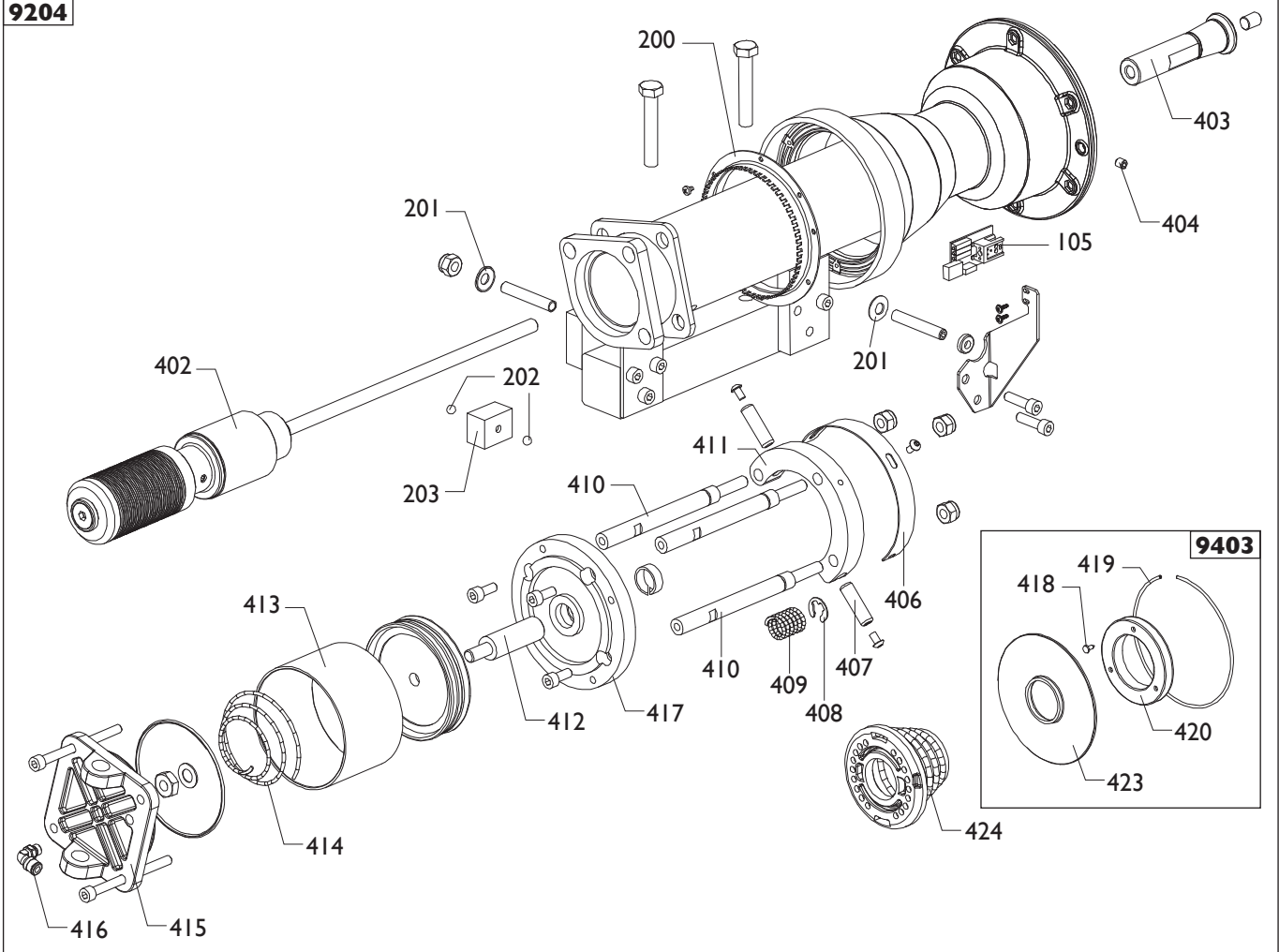
9301



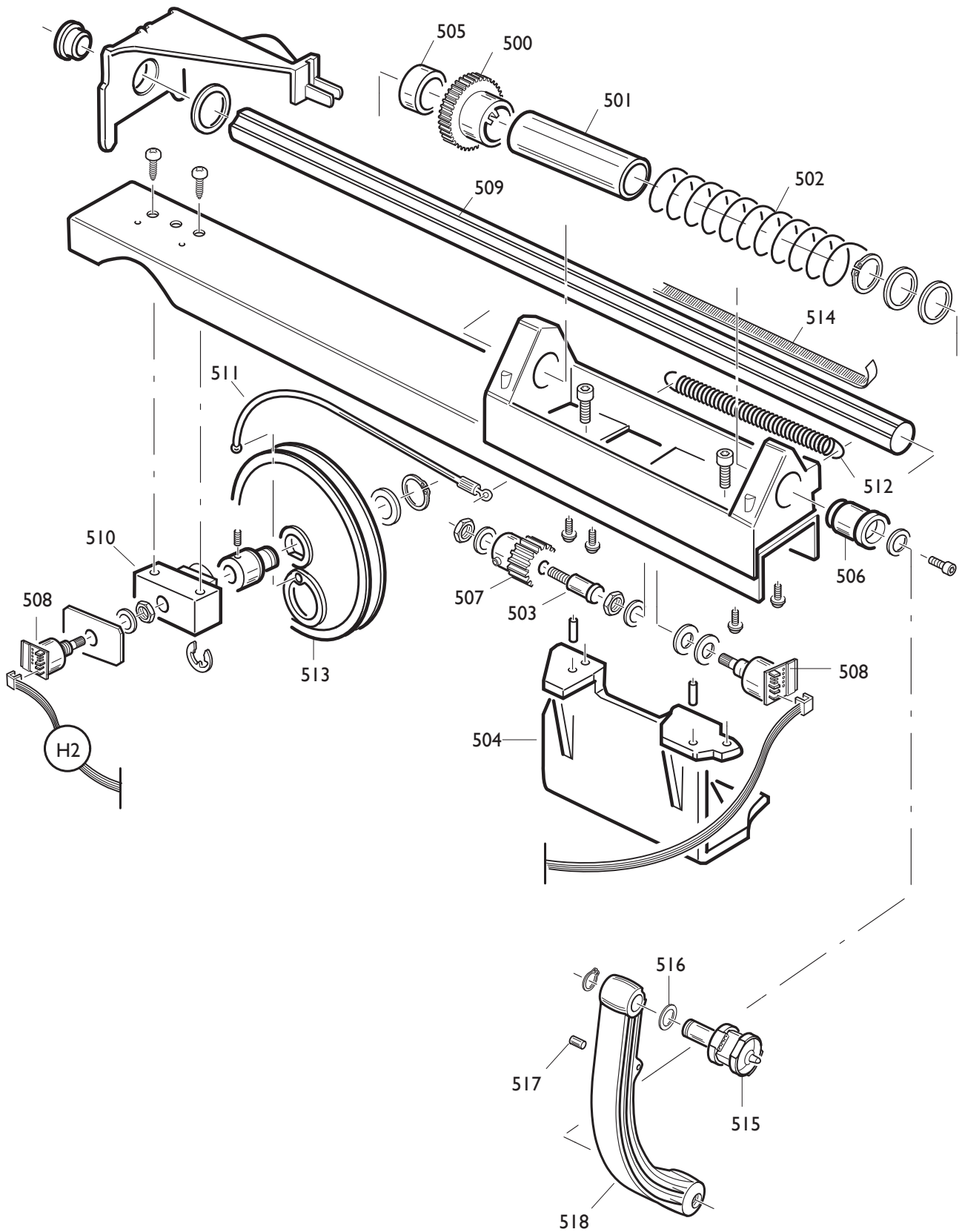


<b>9302</b>	<b>9005-100405</b>	<b>GRUPPO</b>	<b>ASSEMBLY</b>	<b>GRUPPE</b>	<b>GROUPE</b>
0106	9004-101216	MOTORE	MOTOR	MOTOR	MOTEUR
0301	9004-102639	PATTINO	PAD	GLEITSTCHUH	PATIN
<b>9301</b>	<b>9005-100411</b>	<b>ATTUATORE</b>	<b>ACTUATOR</b>	<b>DREHTRIEB</b>	<b>ACTUATEUR</b>
0107	9004-101223	ATTUATORE	ACTUATOR	DREHTRIEB	ACTUATEUR
0303	9004-101224	BOCCOLA	BUSHING	LAGER	DOUILLE
0304	9004-101226	MOLLA	SPRING	FEDER	RESSORT
0305	9004-101225	BLOCCHETTO	BLOCK	BLOCK	BLOC
0306	9004-101220	RULLO	ROLLER	WALZE	ROULEAU
0307	9004-101214	PULEGGIA	PULLEY	RIEMENSCHIEBE	POULIE
0308	9003-01328	CINGHIA	BELT	RIEMEN	COURROIE
0309	9004-101213	PULEGGIA	PULLEY	RIEMENSCHIEBE	POULIE
0310	9004-103760	DISCO	DISK	SCHEIBE	DISQUE
0311	9004-103767	STAFFA	BRACKET	KLAUE	ETRIER
0103	9004-102905	SENSORE	SENSOR	SENSOR	CAPTEURS

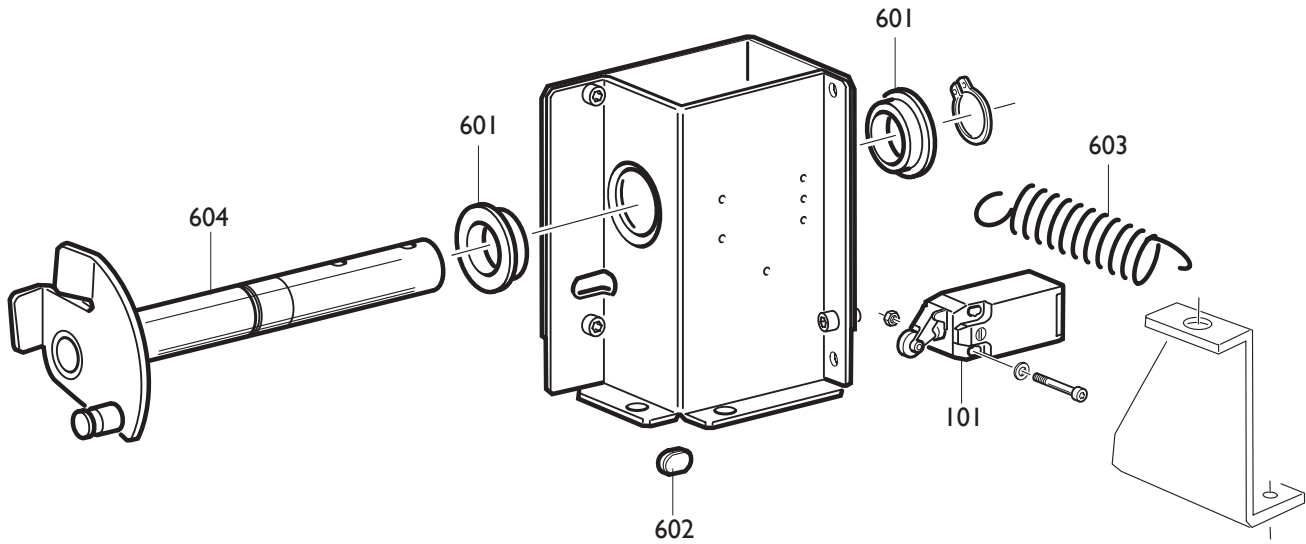
**9204**



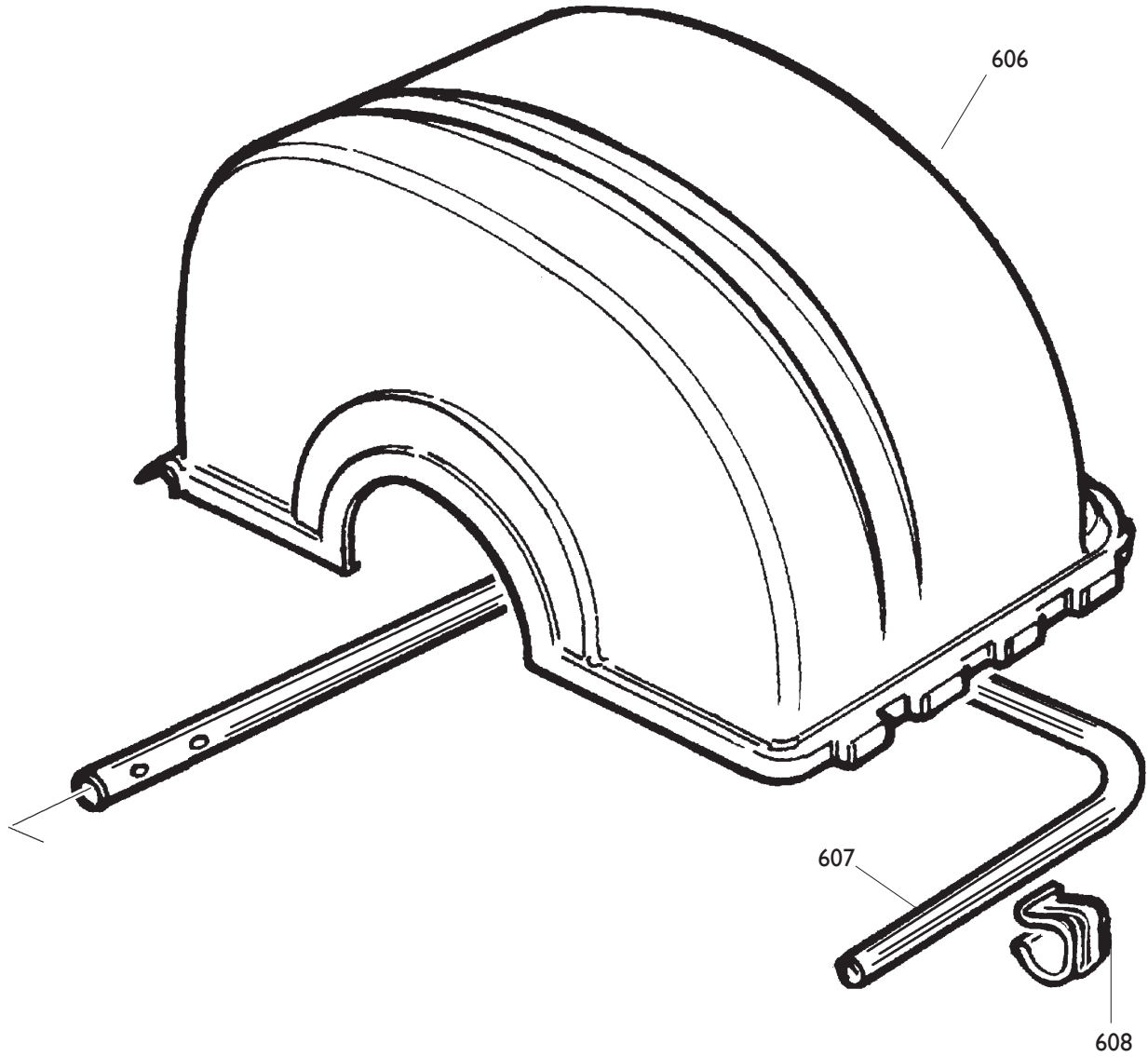
<b>9204</b>	<b>9005-100940</b>	<b>GRUPPO</b>	<b>ASSEMBLY</b>	<b>GRUPPE</b>	<b>GROUPE</b>
0200	900449310	DISCO	DISK	SCHEIBE	DISQUE
0201	900424993	MOLLA	SPRING	FEDER	RESSORT
0202	900600243	SFERA	BALL	KUGEL	BILLE
0203	900243591	PICK-UP	PICK-UP	PICK-UP	PICK-UP
0105	900249280	SK ELETTRONICA	P.C. BOARD	ELEKTR. PLATINE	FICHE ELECTR.
0402	9005-100330	MOLLA	SPRING	FEDER	RESSORT
0403	9004-101311	BLOCCHETTO	BLOCK	BLOCK	BLOC
0404	900600769	VITE	SCREW	SCHRAUBE	VIS
0406	9004-101646	FASCE	BAND	BAND	BANDE
0407	9002-03233	SPINA	PLUG	STECKER	FICHE
0408	9002-01015	ANELLO	RING	RING	ANNEAU
0409	9004-101043	MOLLA	SPRING	FEDER	RESSORT
0410	9004-100961	PERNO	PIN	ZAPFEN	PIVOT
0411	9004-100960	FLANGIA	FLANGE	FLANSCH	FLASQUE
0412	900363434	STELO	STEM	SCHAFT	TIGE
0413	900338818	CILINDRO	CYLINDER	ZYLINDER	CYLINDRE
0414	900463364	MOLLA	SPRING	FEDER	RESSORT
0415	900357265	FLANGIA	FLANGE	FLANSCH	FLASQUE
0416	900246439	RACCORDO	CONNECTOR	ANSCHLUSS	RACCORD
0417	9004-100962	FLANGIA	FLANGE	FLANSCH	FLASQUE
0424	9005-101468	ANELLO	RING	RING	ANNEAU
<b>9403</b>	<b>9005-101667</b>	<b>CENTRAGGIO</b>	<b>SPIGOT</b>	<b>ZENTRIERUNG</b>	<b>CENTRAGE</b>
0418	9002-01272	VITE	SCREW	SCHRAUBE	VIS
0419	9004-101740	ANELLO	RING	RING	ANNEAU
0420	9004-102027	DISTANZIALE	SPACER	ABSTANDSSTUECK	ENTRETOISE
0423	9004-103166	DISCO	DISK	SCHEIBE	DISQUE
0422	9005-100949	KIT GUARNIZIONI	SEALS KIT	DICHTUNGSATZ	KIT JOINTS
0215	9005-101514	MOZZO	HUB	NABE	MOYEU



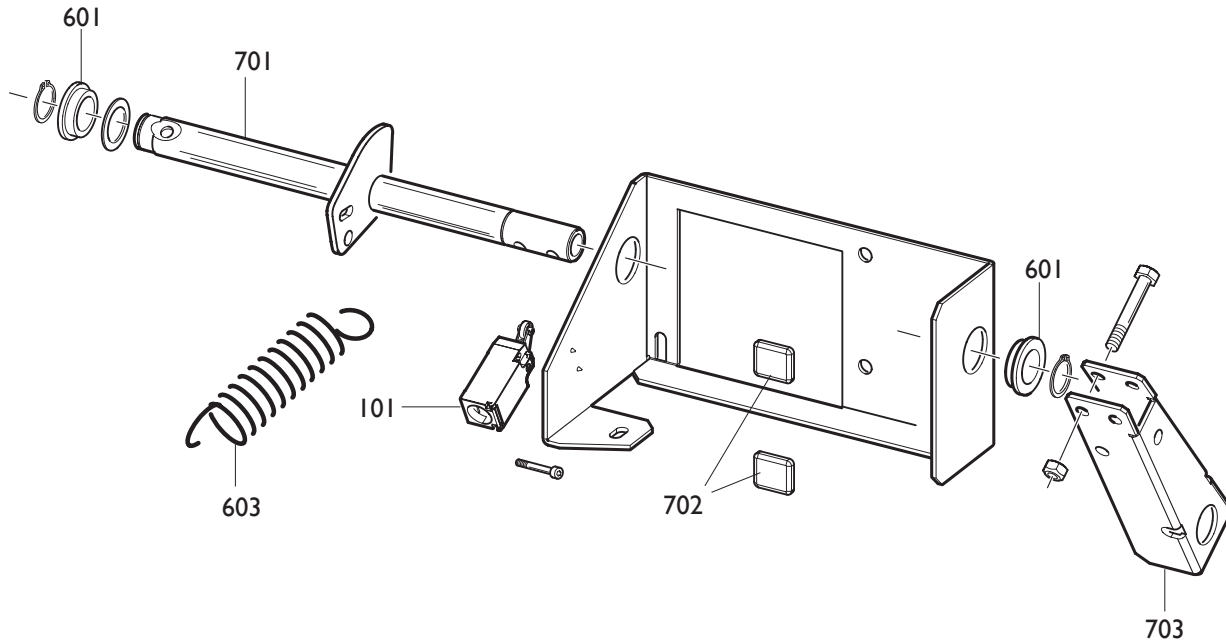
0500	90035024229	INGRANAGGIO	GEAR	ZAHNRADGETRIEBE	ENGRENAGE
0501	9004-102889	DISTANZIALE	SPACER	ABSTANDSSTUECK	ENTRETOISE
0502	9004-102886	MOLLA	SPRING	FEDER	RESSORT
0503	90033021118	VITE	SCREW	SCHRAUBE	VIS
0504	9004-102726	SUPPORTO	SUPPORT	LAGER	SUPPORT
0505	900439461	BOCCOLA	BUSHING	LAGER	DOUILLE
0506	9004-102731	BOCCOLA	BUSHING	LAGER	DOUILLE
0507	90035020979	PIGNONE	PINION	RITZEL	PIGNON
0508	9004-102818	SK. ENCODER	ENCODER	CODIERER	ENCODER
0509	900357405	ASTA	SHAFT	STANGE	BARRE
0510	900457404	SUPPORTO	SUPPORT	LAGER	SUPPORT
0511	900457130	FUNE	CABLE	SEIL	CABLE CABLE
0512	9004-102888	MOLLA	SPRING	FEDER	RESSORT
0513	900257481	PULEGGIA	PULLEY	REIMENSCHHEIBE	POULIE
0514	900439488	TARGHETTA	DATA PLATE	TYPENSCHILD	PLAQUETTE
0515	900249339	TERMINALE	TERMINAL	ENDVERSCHLUSS	COSSE
0516	900450073	ANELLO	RING	RITZEL	PIGNON
0517	9004-102903	MAGNETE	MAGNET	MAGNET	AIMANT
0518	9004-102618	BRACCIO	ARM	ARM	BRAS



0101	900457753	MICROINTERRUTT.	MICROSWITCH	MIKROSCHALTER	MICROINTERRUPT.
0601	900433637	BOCCOLA	BUSHING	LAGER	DOUILLE
0602	900413163	TASSELLO	BLOCK	EINSATZSTUECAK	TAMPON
0603	900449270	MOLLA	SPRING	FEDER	RESSORT
0604	900253453	FERMO	RETAINER	ANSCHLAG	ARRET

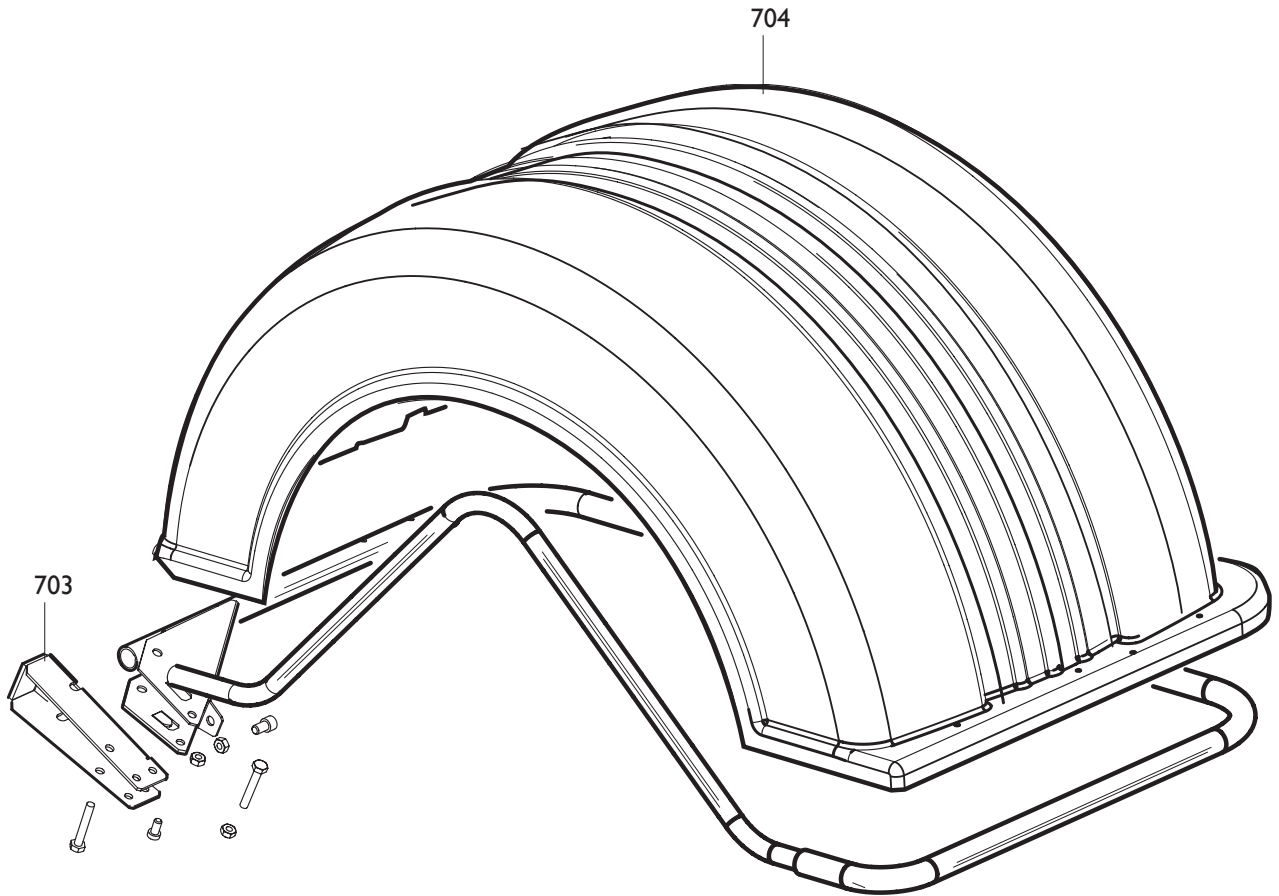


0606	9004-102948	PROTEZIONE	SHIELD	ABDECKUNG	PROTECTION
0607	900349272	TUBO	PIPE	ROHR	TUYAU
0608	900449273	MOLLA	SPRING	FEDER	RESSORT



0101	900457753	MICROINTERRUTT.	MICROSWITCH	MIKROSCHALTER	MICROINTERRUPT.
0601	900433637	BOCCOLA	BUSHING	LAGER	DOUILLE
0603	900449270	MOLLA	SPRING	FEDER	RESSORT
0701	900260408	FERMO	RETAINER	ANSCHLAG	ARRET
0702	900460798	TASSELLO	BLOCK	EINSATZSTUECK	TAMPON
0703	900360359	SUPPORTO	SUPPORT	LAGER	SUPPORT





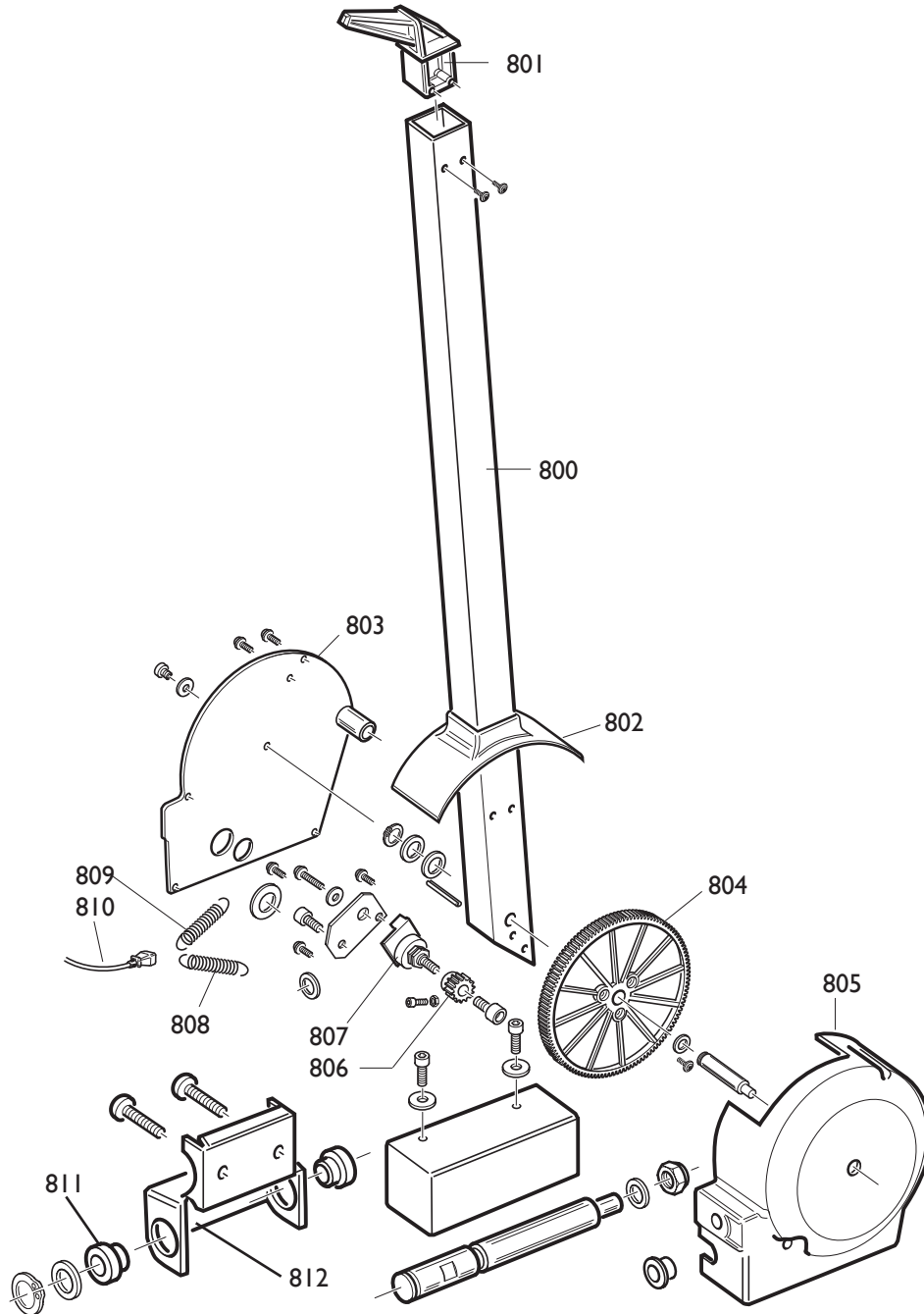
0703 900360359  
0704 900460151

SUPPORTO  
PROTEZIONE

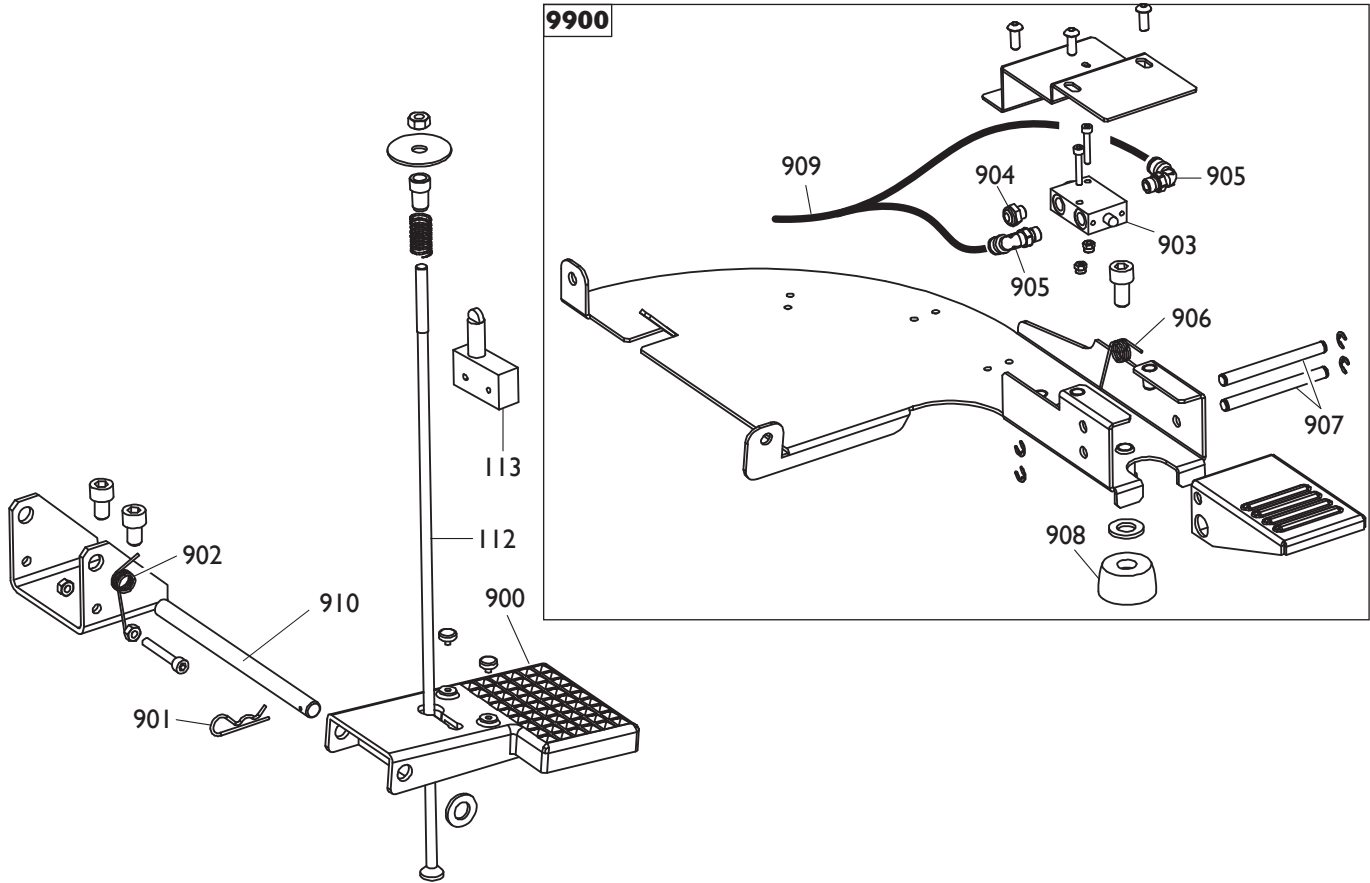
SUPPORT  
SHIELD

LAGER  
ABDECKUNG

SUPPORT  
PROTECTION

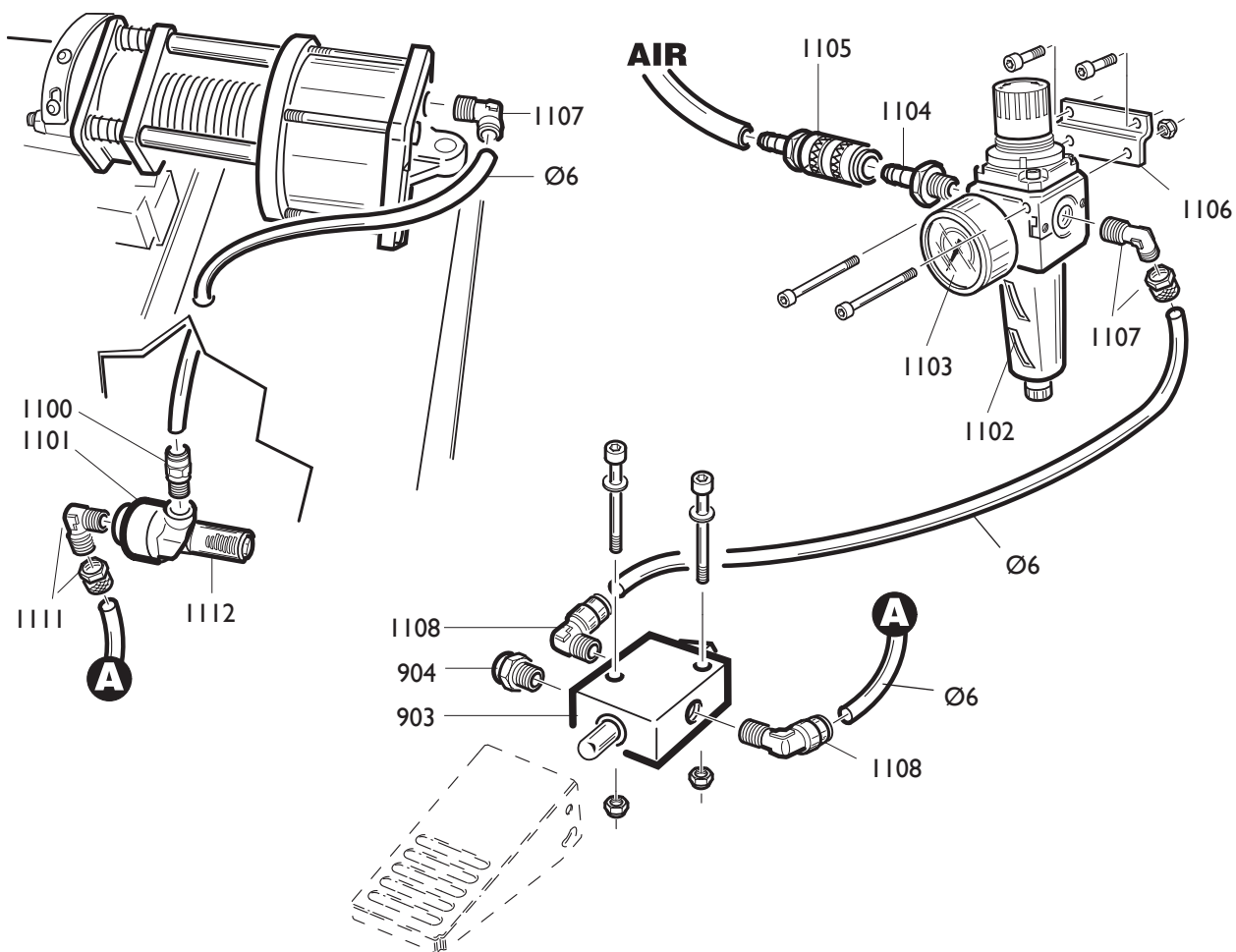
**9801**

<b>9801</b>	<b>802253426</b>	<b>RILEVATORE</b>	<b>SIGNAL TRACER</b>	<b>AUFNEHMER</b>	<b>MESUREUR</b>
800	900353559	BRACCIO	ARM	ARM	BRAS
801	900453572	TASTATORE	FEELER PIN	FUEHLER	PALPEUR
802	900454458	PROTEZIONE	SHIELD	ABDECKUNG	PROTECTION
803	900353578	COPERCHIO	LID	DECKEL	COUVERCLE
804	900453579	INGRANAGGIO	GEAR	ZAHNRADGETRIEBE	ENGRENAGE
805	900454457	CORPO	BODY	KOERPER	CORPS
806	900449326	PIGNONE	PINION <sub>a</sub>	RITZEL	PIGNON
807	900248387	POTENZIOMETRO	POTENZIOMETER	POTENTIOMETER	POTENTIOMETRE
808	900455120	MOLLA	SPRING	FEDER	RESSORT
809	900454239	MOLLA	SPRING	FEDER	RESSORT
810	900453493	CAVO FLAT	FLAT CABLE	FLACHER KABEL	CABLE FLAT
811	900460109	BOCCOLA	BUSHING	LAGER	DOUILLE
812	900353502	SUPPORTO 37"	SUPPORT 37"	LAGER 37"	SUPPORT 37"
812	900360940	SUPPORTO 44"	SUPPORT 44"	LAGER 44"	SUPPORT 44"

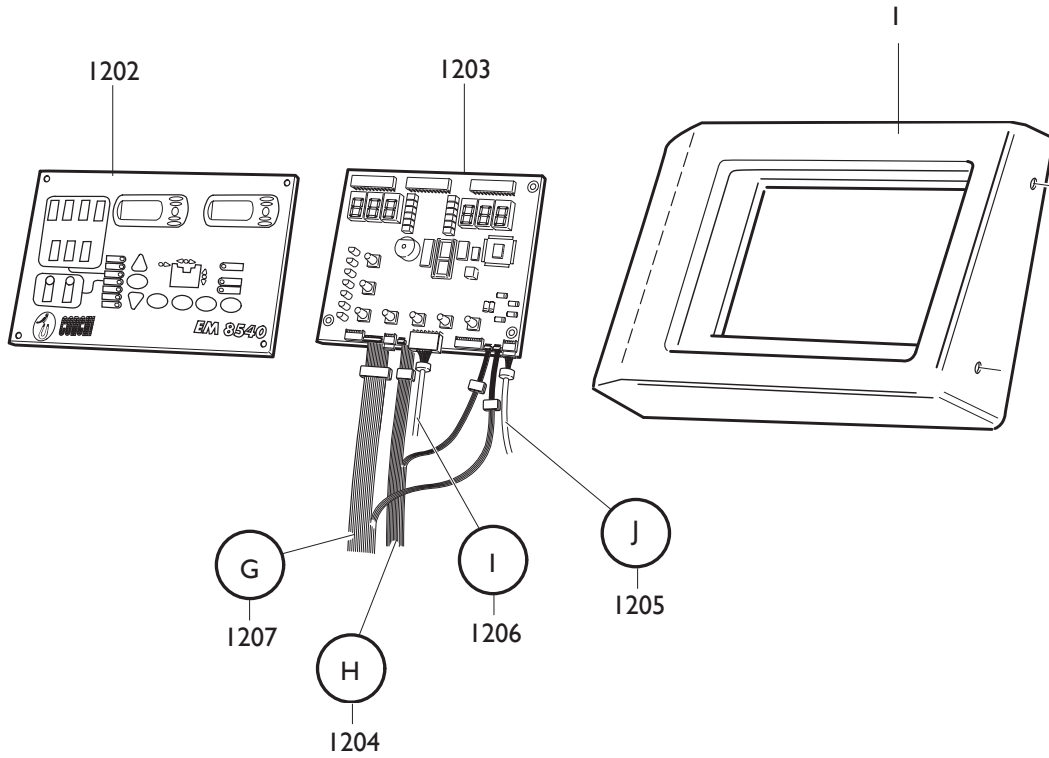


0112	900453492	TIRANTE	STAY ROD	ZUGSTANGE	TIRANT
0113	9004-104349	MICROINTERRUPTORE	MICROSWITCH	MIKROSCHALTER	MICROINTERRUPT.
0900	900479233	PEDALE	PEDAL	PEDAL	PEDALE
0901	900435055	MOLLA	SPRING	FEDER	RESSORT
0902	900453495	MOLLA	SPRING	FEDER	RESSORT
0910	900353508	PERNO	PIN		

9901	9005-100341	PEDALE	PEDAL	PEDAL	PEDALE
0903	900452564	VALVOLA	VALVE	VENTIL	VANNE
0904	900415279	SILENZIATORE	SILENCER	SCHALLDAEMPFER	SILENCIEUX
0905	900438664	RACCORDO	CONNECTOR	ANSCHLUSS	RACCORD
0906	900437689	MOLLA	SPRING	FEDER	RESSORT
0907	900337690	PERNO	PIN	ZAPFEN	PIVOT
0908	900460029	PIEDE	FOOT	FUSS	PIED
0909	900354534	TUBO	PIPE	ROHR	TUYAU



Ø6	9001-04283	TUBO	PIPE	ROHR	TUYAU
1100	900440888	RACCORDO	CONNECTOR	ANSCHLUSS	RACCORD
1101	900453631	VALVOLA	VALVE	VENTIL	VANNE
1102	900434617	FILTRO	FILTER	FILTER	FILTRE
1103	900434818	MANOMETRO	PRESSUREG.	DRUCKMESSER	MANOMETRE
1104	900441900	GIUNTO	COUPLING	KUPPLUNG	ACCOUPEMENT
1105	900441899	GIUNTO	COUPLING	KUPPLUNG	ACCOUPEMENT
1106	900333683	STAFFA	BRACKET	KLAUE	ETRIER
1107	9003-00231	RACCORDO	CONNECTOR	ANSCHLUSS	RACCORD
1108	900443432	RACCORDO	CONNECTOR	ANSCHLUSS	RACCORD
0903	900452564	VALVOLA	VALVE	VENTIL	VANNE
0904	900415279	SILENZIATORE	SILENCER	SCHALLDAEMPFER	SILENCIEUX
1111	900246426	RACCORDO	CONNECTOR	ANSCHLUSS	RACCORD
1112	900419138	SILENZIATORE	SILENCER	SCHALLDAEMPFER	SILENCIEUX



0001	900460076	FRONTALE	FRONT PANEL	STIRNBAND	FRONTAL
1202	900460097	TARGHETTA	DATA PLATE	TYPENSCHILD	PLAQUETTE
1203	9004-105489	SCHEDA ELETTRON.	P.C. BOARD	ELEKTR. PLATINE	FICHE ELECTR.
1204	9004-101848	CAVO (H)	CABLE (H)	KABEL (H)	CABLE (H)
1205	9004-101846	CAVO (J)	CABLE (J)	KABEL (J)	CABLE (J)
1206	9004-101845	CAVO (I)	CABLE (I)	KABEL (I)	CABLE (I)
1207	9004-101847	CAVO (G)	CABLE (G)	KABEL (G)	CABLE (G)

A large rectangular area containing 20 horizontal dotted lines, spaced evenly down the page, intended for writing or drawing.

Il disegno è realizzato con tutti i particolari ma solo quelli codificati sono forniti come ricambi. L'Azienda si riserva la facoltà di apportare modifiche senza preavviso.



Via per Carpi, n°9 - 42015 Correggio (RE) ITALY  
Tel. ++39 0522 639111 - Fax ++39 0522 639150  
[www.corgi.com](http://www.corgi.com) - [info@corgi.com](mailto:info@corgi.com)

The drawing shows all parts but only the coded parts are supplied as spares. The Company reserves the right to make modifications without prior notice.

**COMIM** - Cod. 4-105225A - Rif. 901000503