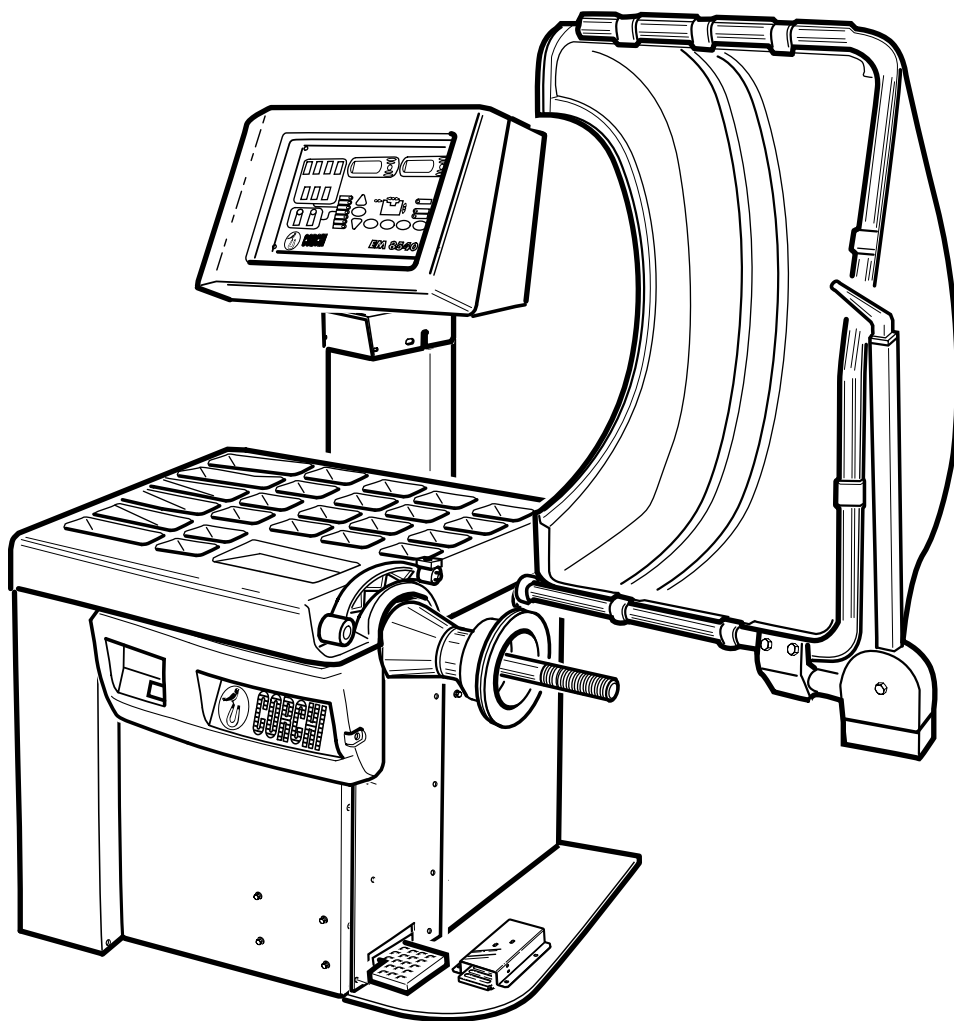


Questo libretto non autorizza l'utente ad intervenire sulle macchine ad esclusione di quanto esplicitamente descritto nel Manuale d'uso, ma consente all'utente di fornire informazioni precise all'Assistenza tecnica, al fine di ridurre i tempi di intervento.

# EM 8540

The "Spare parts" booklet does not authorize the user to carry out work on the machine unless expressly specified in the instruction manual, but does enable him to provide accurate information to the assistance service in order to reduce downtime.

## PEZZI DI RICAMBIO SPARE PARTS LIST ERSATZTEILLISTE PIECES DE RECHANGE



Versione

**1.0**

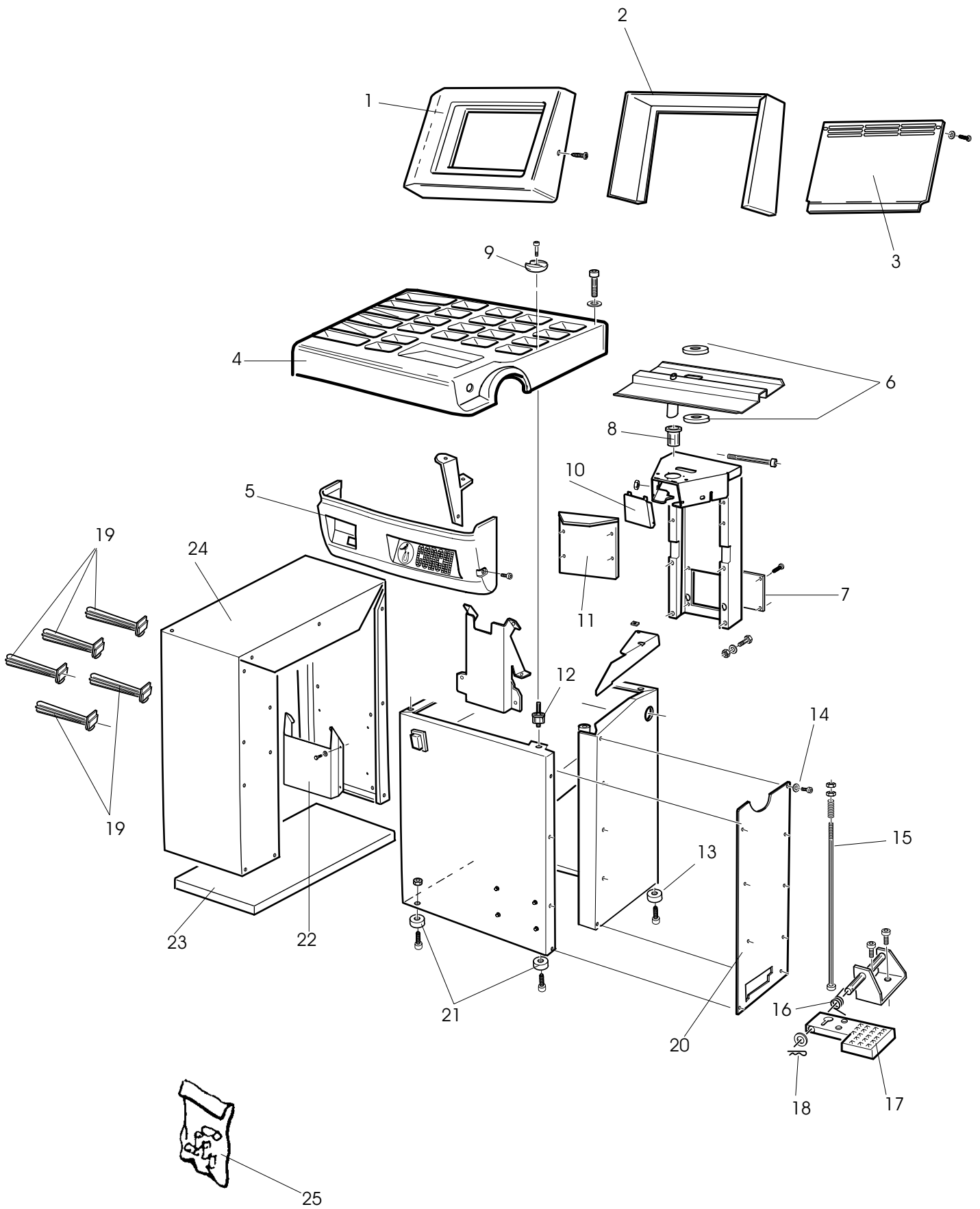
In produzione da  
Production from  
Herstellung ab  
Production


**07 / 01**

Der Katalog Ersatzteile stellt keine Genehmigung zu eigenmächtigen Eingriffen dar (mit Ausnahme jener im Handbuch beschriebenen), sondern er soll den Anwender in die Lage versetzen, dem technischen Service präzise Informationen zu liefern, um die Reparaturzeiten zu verkürzen.



Le livret "Pièces de rechange", n'autorise pas l'utilisateur à intervenir sur les machines, sauf pour tout ce qui est clairement décrit dans le manuel d'utilisation, mais lui permet de fournir des informations précises à l'assistance technique, afin de diminuer les délais d'intervention.

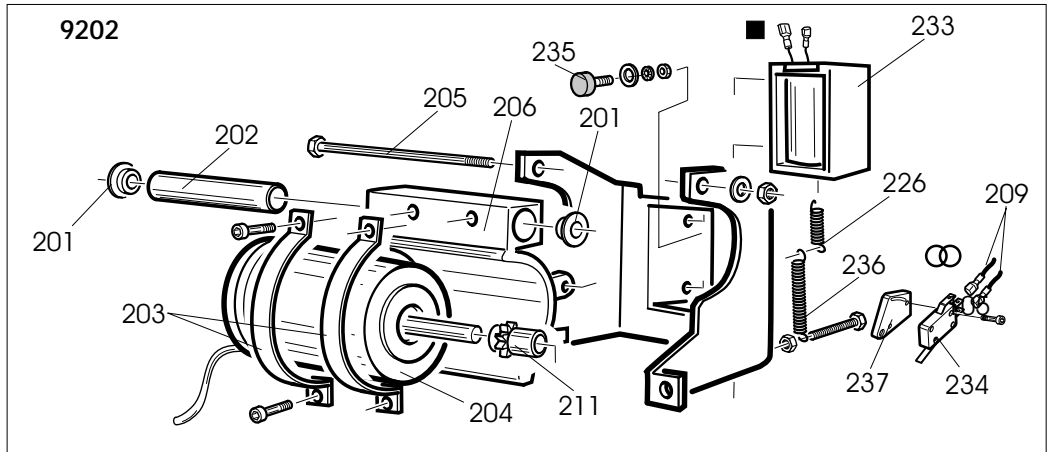


|  |           | EM 8540         | Fig. A        | 07 /01             | Cassone + display |
|--|-----------|-----------------|---------------|--------------------|-------------------|
| 0001   | 900460076 | FRONTALE        | FRONT PANEL   | STIRNBAND          | FRONTAL           |
| 0002   | 900360074 | COFANO          | HOOD          | HAUBE              | COFFRE            |
| 0003   | 900360075 | PANNELLO        | PANEL         | VERKLEIDUNG        | PANNEAU           |
| 0004   | 900460060 | COPERCHIO       | LID           | DECKEL             | COUVERCLE         |
| 0005   | 900460367 | COFANO          | HOOD          | HAUBE              | COFFRE            |
| 0006   | 900455540 | PASSACAVO       | FAIRLEAD      | KABELDURCHFUEHRUNG | PRESSE-ETOUPE     |
| 0007   | 900353984 | PANNELLO        | PANEL         | VERKLEIDUNG        | PANNEAU           |
| 0008   | 900433663 | BOCCOLA         | BUSHING       | LAGER              | DOUILLE           |
| 0009   | 900336581 | INCUDINE        | ANVIL         | AMBOSS             | ENCLUME           |
| 0010   | 900360518 | PANNELLO        | PANEL         | VERKLEIDUNG        | PANNEAU           |
| 0011   | 900360069 | CARTER          | CASING        | GEHAUSE            | CARTER            |
| 0012   | 900360110 | SUPPORTO        | SUPPORT       | LAGER              | SUPPORT           |
| 0013   | 900460029 | PIEDE           | FOOT          | FUSS               | PIED              |
| 0014   | 900453504 | RONDELLA        | WASHER        | UNTERLEGSCHEIBE    | RONDELLE          |
| 0015   | 900453492 | TIRANTE         | STAY ROD      | ZUGSTANGE          | TIRANT            |
| 0016   | 900453495 | MOLLA           | SPRING        | FEDER              | RESSORT           |
| 0017   | 900479233 | PEDALE          | PEDAL         | PEDAL              | PEDALE            |
| 0018   | 900435055 | MOLLA           | SPRING        | FEDER              | RESSORT           |
| 0019   | 900438319 | SUPPORTO        | SUPPORT       | LAGER              | SUPPORT           |
| 0020   | 900360126 | COFANO          | HOOD          | HAUBE              | COFFRE            |
| 0021   | 900360368 | PIEDE           | FOOT          | FUSS               | PIED              |
| 0022   | 900355994 | CONENITORE      | CONTAINER     | BEHAELTER          | CONTENEUR         |
| 0023   | 900360345 | RINFORZO        | REINFORCEMENT | VERSTAERKUNG       | RENFORT           |
| 0024   | 900360047 | MOBILE          | CABINET       | SCHRANK            | MEUBLE            |
| 0025   | 950232942 | FUSIBILE 3,15 T | FUSE 3,15 T   | SICHERUNG 3,15 T   | FUSIBLE 3,15 T    |
| 0025   | 950229690 | FUSIBILE 0,5A   | FUSE 0,5A     | SICHERUNG 0,5A     | FUSIBLE 0,5A      |
| 0025   | 900251964 | FUSIBILE 4A R   | FUSE 4A R     | SICHERUNG 4A R     | FUSIBLE 4A R      |
| 0025   | 900254977 | FUSIBILE T20 A  | FUSE T20 A    | SICHERUNG T20 A    | FUSIBLE T20 A     |

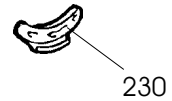
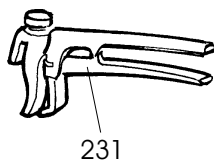
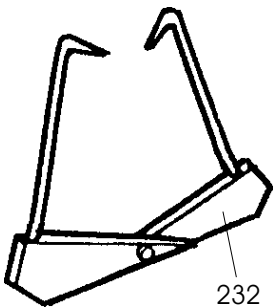
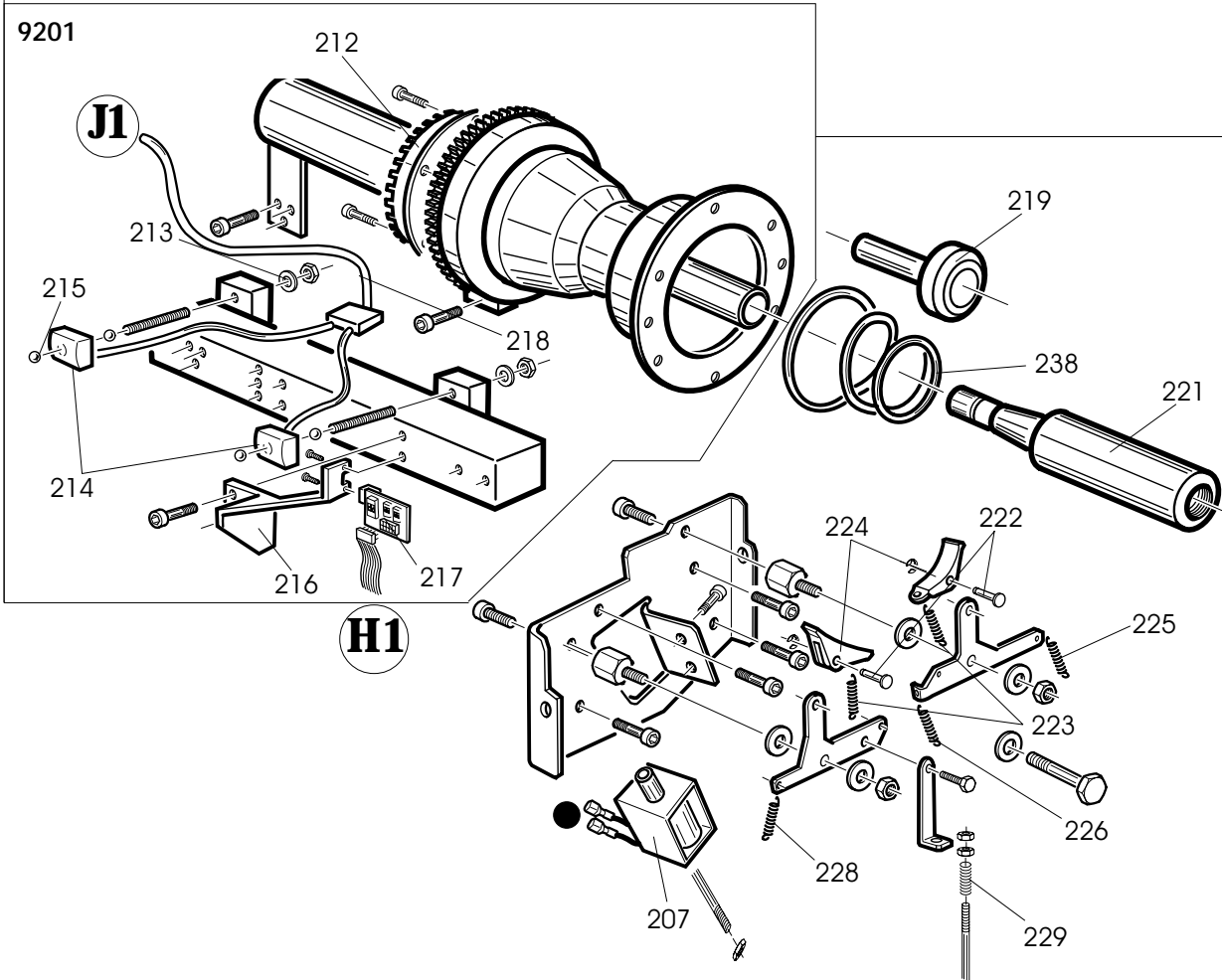


|  |           | EM 8540            | Fig. B        | 07 / 01            | Impianto elettrico |
|--|-----------|--------------------|---------------|--------------------|--------------------|
| 0001   | 900460076 | FRONTALE           | FRONT PANEL   | STIRNBAND          | FRONTAL            |
| 0111   | 900457961 | TRAS. 100/200V     | TRANSFORMER   | TRANSFORMATOR      | TRANSFORMATEUR     |
| 0111   | 900238727 | TRAS. 100/115/230V | TRANSFORMER   | TRANSFORMATOR      | TRANSFORMATEUR     |
| 0114   | 900235392 | CAVO               | CABLE         | KABEL              | CABLE              |
| 0119   | 900454218 | SCHEDE ELETTRON.   | P.C.BOARD     | ELEKTR.PLATINE     | FICHE ELECTR.      |
| 0120   | 900448914 | FILTRO             | FILTER        | FILTER             | FILTRE             |
| 0121   | 950433848 | INTERRUTTORE       | SWITCH        | SCHALTER           | INTERRUPTEUR       |
| 0122   | 900453695 | CAVO               | CABLE         | KABEL              | CABLE              |
| 0123   | 900453696 | CAVO               | CABLE         | KABEL              | CABLE              |
| 0129   | 900454272 | FILTRO RC          | RC FILTER     | FILTER RC          | FILTRE RC          |
| 0601   | 900460097 | TARGHETTA          | DATA PLATE    | TYPENSCHILD        | PLAQUETTE          |
| 0602   | 900254455 | SCHEDE ELETTRON.   | P.C.BOARD     | ELEKTR.PLATINE     | FICHE ELECTR.      |
| 0602   | 900259463 | SCHEDE ELETTR.USA  | P.C.BOARD USA | ELEKTR.PLATINE USA | FICHE ELECTR. USA  |
| 0603   | 900453852 | CAVO FLAT          | FLAT CABLE    | FLACHER KABEL      | CABLE FLAT         |
| 0610   | 900455545 | CAVO               | CABLE         | KABEL              | CABLE              |
| 0611   | 900255549 | CAVO               | CABLE         | KABEL              | CABLE              |
| 0612   | 900255547 | CAVO               | CABLE         | KABEL              | CABLE              |
| 0613   | 900455543 | CAVO               | CABLE         | KABEL              | CABLE              |
| 0614   | 900255548 | CAVO FLAT          | FLAT CABLE    | FLACHER KABEL      | CABLE FLAT         |
| 0615   | 900455544 | CAVO FLAT          | FLAT CABLE    | FLACHER KABEL      | CABLE FLAT         |
| 0616   | 900455546 | CAVO FLAT          | FLAT CABLE    | FLACHER KABEL      | CABLE FLAT         |
| 0617   | 900255550 | CAVO FLAT          | FLAT CABLE    | FLACHER KABEL      | CABLE FLAT         |

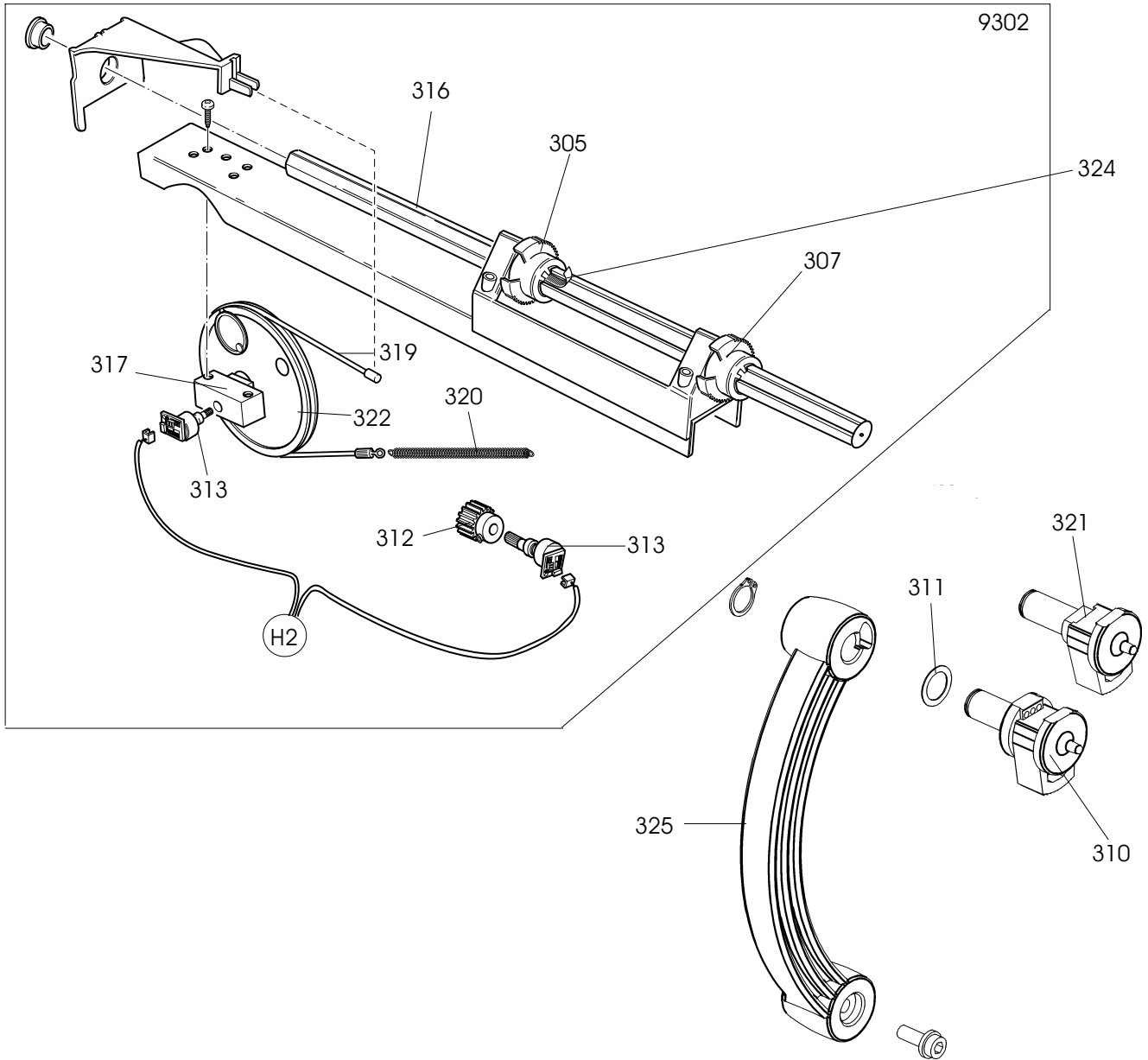
9203



9201

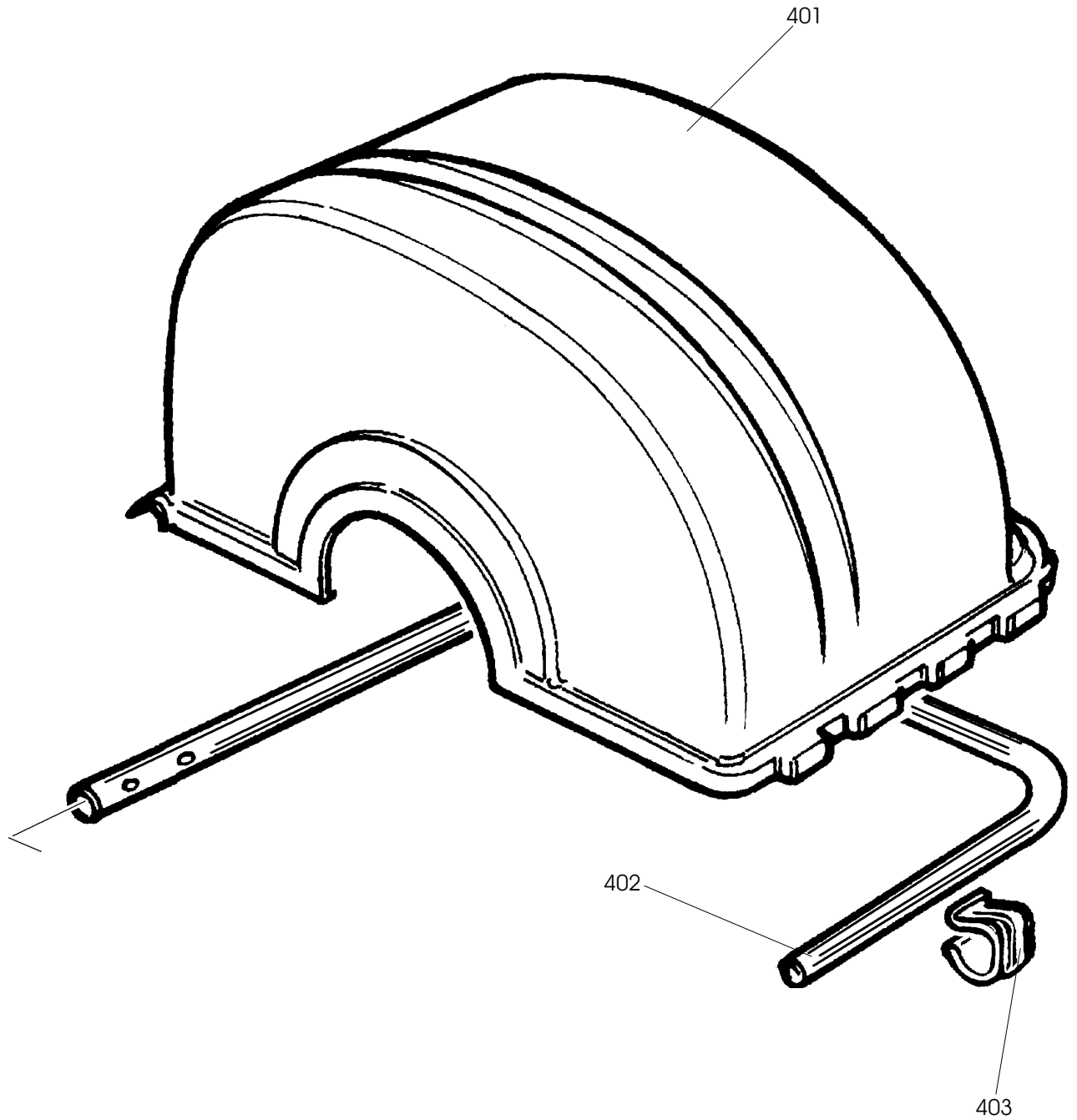


| 9203 | 900253418 | GRUPPO             | ASSEMBLY       | GRUPPE          | GROUPE              |
|------|-----------|--------------------|----------------|-----------------|---------------------|
| 9202 | 900253429 | DISPOSIT.DI LANCIO | SPINNING ASS.  | MASCHINENWELLE  | DISPOSITIF DE LANC. |
| 0201 | 900453570 | BOCCOLA            | BUSHING        | LAGER           | DOUILLE             |
| 0202 | 900353569 | TUBO               | PIPE           | ROHR            | TUYAU               |
| 0203 | 900353435 | FASCETTA           | STRAP          | SCHLAUCHSCHELLE | COLLIER             |
| 0204 | 900453437 | MOTORE             | MOTOR          | MOTOR           | MOTEUR              |
| 0205 | 900353433 | PERNO              | PIN            | ZAPFEN          | PIVOT               |
| 0206 | 900353432 | SUPPORTO           | SUPPORT        | LAGER           | SUPPORT             |
| 0209 | 900454121 | CAVO               | CABLE          | KABEL           | CABLE               |
| 0211 | 900453430 | PIGNONE            | PINION         | RITZEL          | PIGNON              |
| 0233 | 900254951 | ELETTROMAGNETE     | ELECTROMAGNETE | ELEKTROMAGNET   | ELECTRO-AIMANT      |
| 0234 | 900443611 | MICROINTERRUTT.    | MICROSWITCH    | MIKROSCHALTER   | MICROINTERRUP.      |
| 0235 | 900442967 | TAMPONE            | PAD            | PUFFER          | TAMPON              |
| 0236 | 900461137 | MOLLA              | SPRING         | FEDER           | RESSORT             |
| 0237 | 900435898 | SUPPORTO           | SUPPORT        | LAGER           | SUPPORT             |
| 9201 | 900253428 | GRUPPO             | ASSEMBLY       | GRUPPE          | GROUPE              |
| 0212 | 900449310 | DISCO              | DISK           | SCHEIBE         | DISQUE              |
| 0213 | 900424993 | MOLLA              | SPRING         | FEDER           | RESSORT             |
| 0214 | 900237201 | COPPIA DI PICK UP  | PICK UP PAIR   | PICK UP-PAAR    | PAIRE DE CAPT.      |
| 0215 | 900600243 | SFERA              | BALL           | KUGEL           | BILLE               |
| 0216 | 900353440 | SUPPORTO           | SUPPORT        | LAGER           | SUPPORT             |
| 0217 | 900249280 | SCHEDA ELETTRON.   | P.C.BOARD      | ELEKTR.PLATINE  | FICHE ELECTR.       |
| 0218 | 900253697 | CAVO               | CABLE          | KABEL           | CABLE               |
| 0207 | 900254951 | ELETTROMAGNETE     | ELECTROMAGNETE | ELEKTROMAGNET   | ELECTRO-AIMANT      |
| 0219 | 900222101 | VITE               | SCREW          | SCHRAUBE        | VIS                 |
| 0221 | 900222099 | MOZZO              | HUB            | NABE            | MOYEU               |
| 0222 | 900353467 | PERNO              | PIN            | ZAPFEN          | PIVOT               |
| 0223 | 900453468 | MOLLA              | SPRING         | FEDER           | RESSORT             |
| 0224 | 900253466 | PATTINO            | PAD            | GLEITSTCHUH     | PATIN               |
| 0225 | 900453464 | MOLLA              | SPRING         | FEDER           | RESSORT             |
| 0226 | 900454957 | MOLLA              | SPRING         | FEDER           | RESSORT             |
| 0228 | 900435037 | MOLLA              | SPRING         | FEDER           | RESSORT             |
| 0229 | 900453496 | MOLLA              | SPRING         | FEDER           | RESSORT             |
| 0230 | 900430573 | PESO               | WEIGHT         | GEWICHT         | POIDS               |
| 0231 | 900203841 | PINZA              | PLIERS         | ZANGE           | PINCE               |
| 0232 | 900453144 | CALIBRO            | CALIPER        | LEHRE           | CALIBRE             |
| 0238 | 900460966 | MOLLA              | SPRING         | FEDER           | RESSORT             |

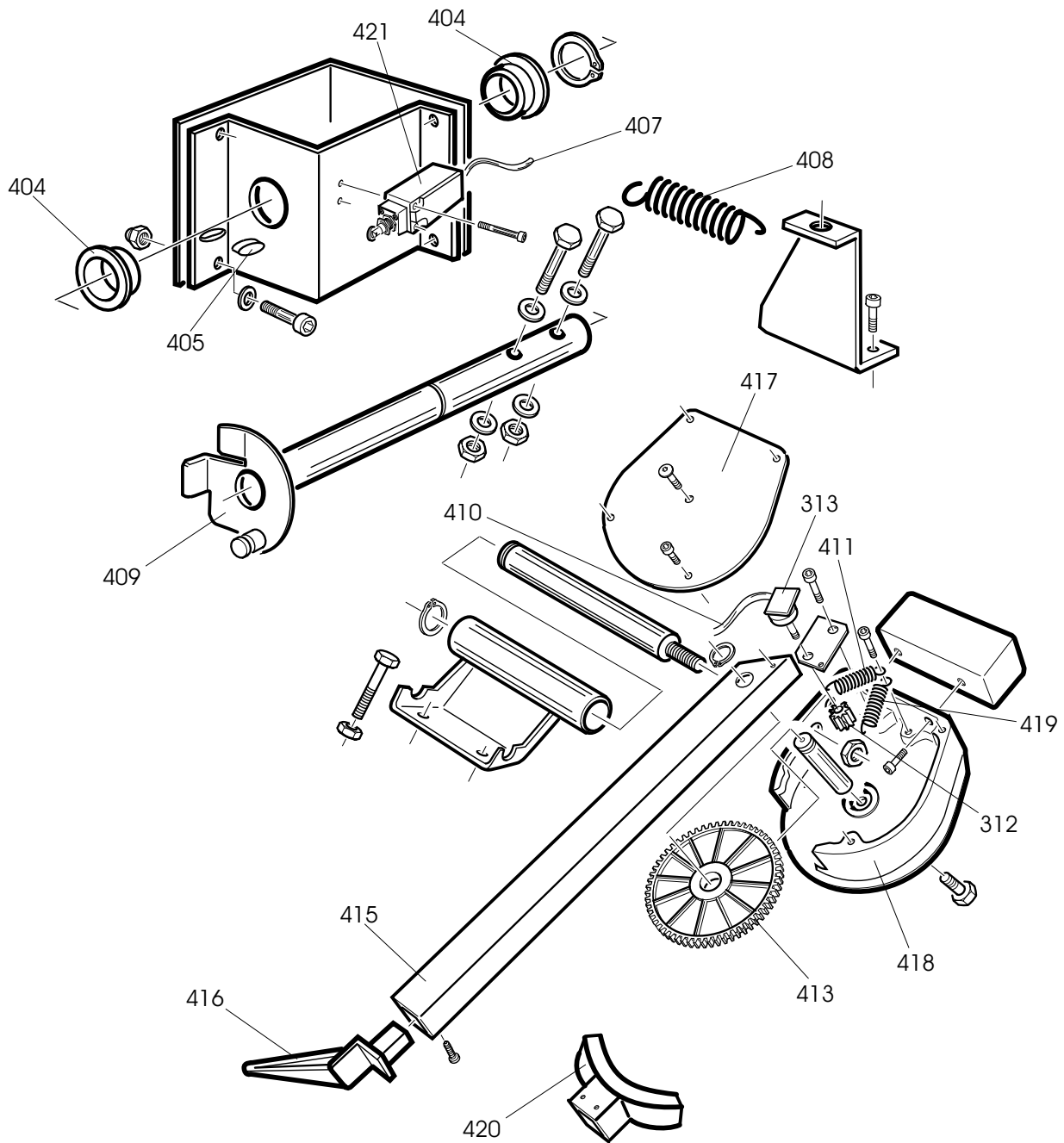



| 9302 | 900257445 | RILEVATORE                | SIGNAL TRACER | AUFNEHMER                   | MESUREUR      |
|------|-----------|---------------------------|---------------|-----------------------------|---------------|
| 0305 | 900449321 | BOCCOLA                   | BUSHING       | LAGER                       | DOUILLE       |
| 0307 | 900454000 | BOCCOLA                   | BUSHING       | LAGER                       | DOUILLE       |
| 0312 | 900449326 | PIGNONE                   | PINION        | RITZEL                      | PIGNON        |
| 0313 | 900248387 | POTENZIOMETRO             | POTENTIOMETER | POTENTIOMETER               | POTENTIOMETRE |
| 0316 | 900357405 | ASTA                      | SHAFT         | STANGE                      | BARRE         |
| 0317 | 900457404 | SUPPORTO                  | SUPPORT       | LAGER                       | SUPPORT       |
| 0319 | 900457130 | FUNE                      | CABLE         | SEIL                        | CABLE         |
| 0320 | 900455317 | MOLLA                     | SPRING        | FEDER                       | RESSORT       |
| 0322 | 900257481 | PULEGGIA                  | PULLEY        | REIMENSCHHEIBE              | POULIE        |
| 0310 | 900249339 | TERMINALE                 | TERMINAL      | ENDVERSCHLUSS               | COSSE         |
| 0311 | 900450073 | ANELLO                    | RING          | RITZEL                      | PIGNON        |
| 0321 | 900255046 | TERMINALE <b>GERMANIA</b> |               | ENDVERSCHLUSS <b>GERMAN</b> |               |
| 0324 | 900439488 | TARGHETTA                 | DATA PLATE    | TYPENSCHILD                 | PLAQUETTE     |
| 0325 | 900460035 | BRACCIO                   | ARM           | ARM                         | BRAS          |



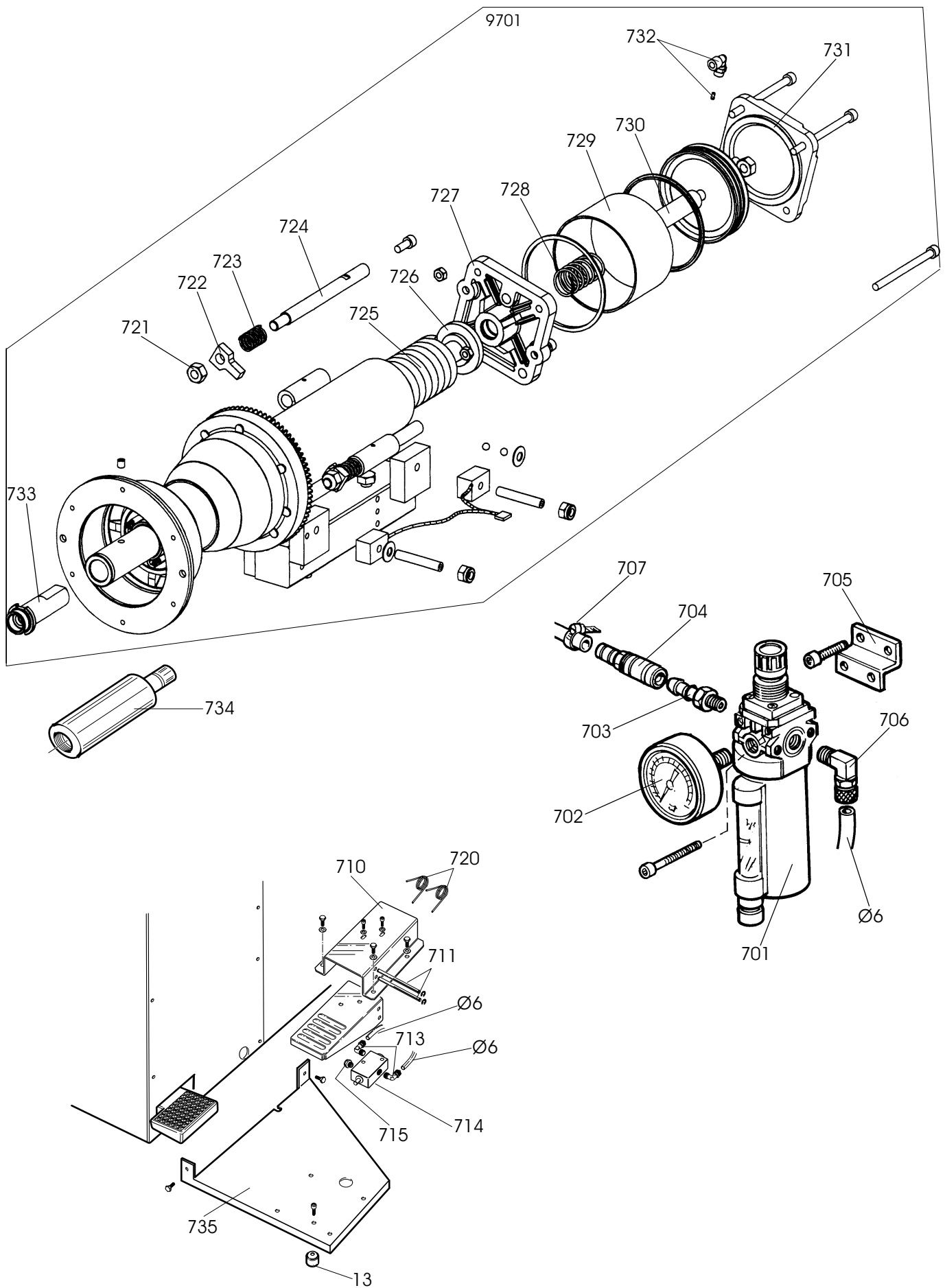


|      |           |            |        |           |            |
|------|-----------|------------|--------|-----------|------------|
| 0401 | 900449271 | PROTEZIONE | SHIELD | ABDECKUNG | PROTECTION |
| 0402 | 900349272 | TUBO       | PIPE   | ROHR      | TUYAU      |
| 0403 | 900449273 | MOLLA      | SPRING | FEDER     | RESSORT    |

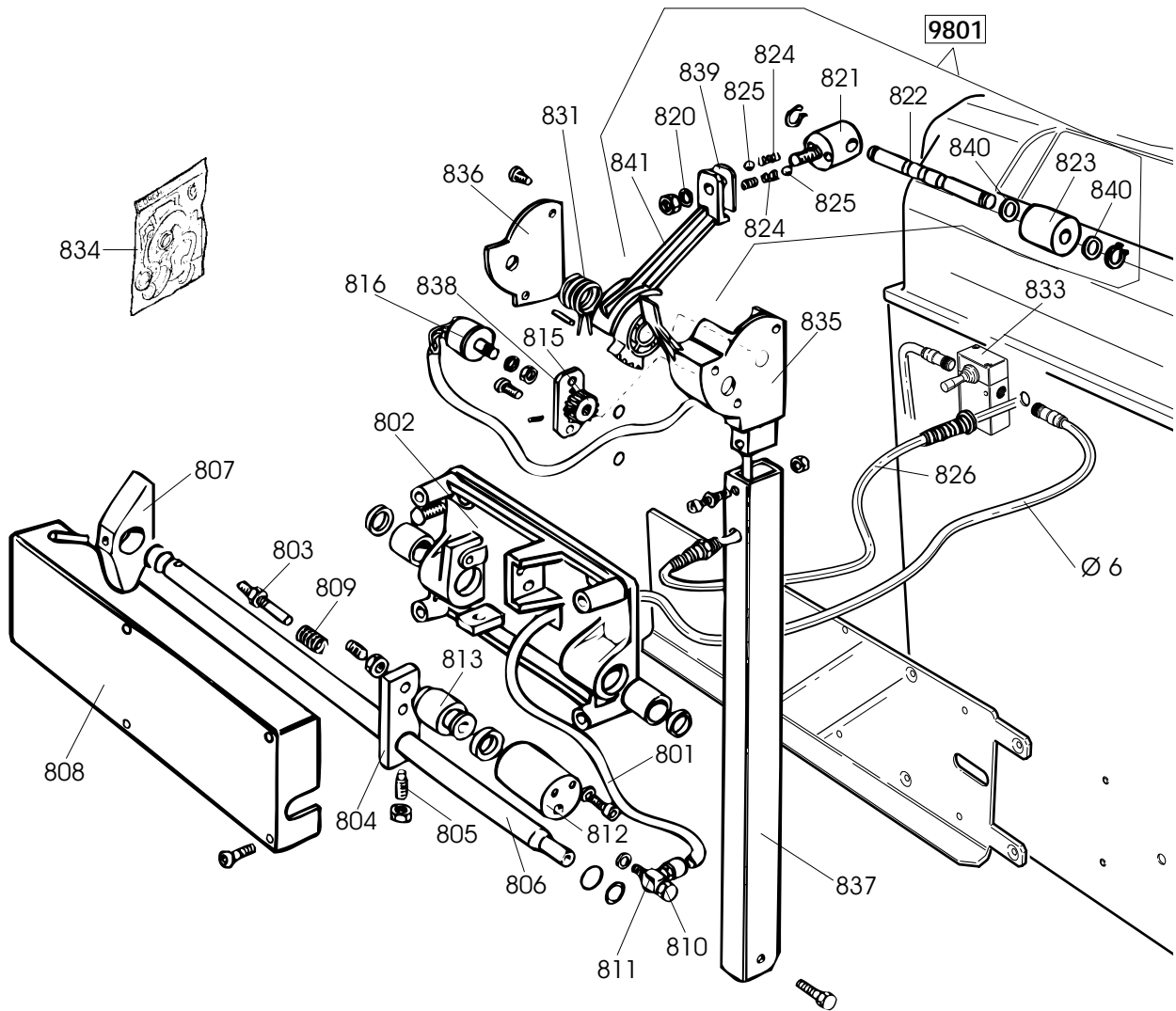



|  |         |        |         |                     |
|--|---------|--------|---------|---------------------|
|  | EM 8540 | Fig. F | 07 / 01 | Supporto protezione |
|--|---------|--------|---------|---------------------|

|      |           |                 |               |                 |                   |
|------|-----------|-----------------|---------------|-----------------|-------------------|
| 0312 | 900449326 | PIGNONE         | PINION        | RITZEL          | PIGNON            |
| 0313 | 900248387 | POTENZIOMETRO   | POTENTIOMETER | POTENTIOMETER   | POTENTIOMETRE     |
| 0404 | 900433637 | BOCCOLA         | BUSHING       | LAGER           | DOUILLE           |
| 0405 | 900413163 | TASSELLO        | BLOCK         | EINSATZSTUECK   | TAMPON            |
| 0407 | 900241604 | CAVO            | CABLE         | KABEL           | CABLE             |
| 0408 | 900449270 | MOLLA           | SPRING        | FEDER           | RESSORT           |
| 0409 | 900253453 | FERMO           | RETAINER      | ANSCHLAG        | ARRET             |
| 0410 | 900453493 | CAVO FLAT       | FLAT CABLE    | FLACHER KABEL   | CABLE FLAT        |
| 0411 | 900454239 | MOLLA           | SPRING        | FEDER           | RESSORT           |
| 0413 | 900453579 | INGRANAGGIO     | GEAR          | ZAHNRADGETRIEBE | ENGRENAGE         |
| 0415 | 900353559 | BRACCIO         | ARM           | ARM             | BRAS              |
| 0416 | 900453572 | TASTATORE       | FEELER PIN    | FUEHLER         | PALPEUR           |
| 0417 | 900353578 | COPERCHIO       | LID           | DECKEL          | COUVERCLE         |
| 0418 | 900454457 | CORPO           | BODY          | KOERPER         | CORPS             |
| 0419 | 900455120 | MOLLA           | SPRING        | FEDER           | RESSORT           |
| 0420 | 900454458 | PROTEZIONE      | SHIELD        | ABDECKUNG       | PROTECTION        |
| 0421 | 900457753 | MICROINTERRUTT. | MICROSWITCH   | MIKROSCHALTER   | MICROINTERRUPTEUR |



| 9701 | 900254293  | GRUPPO       | ASSEMBLY   | GRUPPE          | GROUPE        |
|------|------------|--------------|------------|-----------------|---------------|
| Ø6   | 9001-04283 | TUBO         | PIPE       | ROHR            | TUYAU         |
| 0013 | 900460029  | PIEDE        | FOOT       | FUSS            | PIED          |
| 0701 | 900434617  | FILTRO       | FILTER     | FILTER          | FILTRE        |
| 0702 | 900434818  | MANOMETRO    | PRESSUREG. | DRUCKMESSER     | MANOMETRE     |
| 0703 | 900441900  | GIUNTO       | COUPLING   | KUPPLUNG        | ACCOUPLLEMENT |
| 0704 | 900441899  | GIUNTO       | COUPLING   | KUPPLUNG        | ACCOUPLLEMENT |
| 0705 | 900333683  | STAFFA       | BRACKET    | KLAUE           | ETRIER        |
| 0706 | 900425012  | RACCORDO     | CONNECTOR  | ANSCHLUSS       | RACCORD       |
| 0707 | 950403751  | FASCETTA     | STRAP      | SCHLAUCHSCHELLE | COLLIER       |
| 0710 | 900354317  | SUPPORTO     | SUPPORT    | LAGER           | SUPPORT       |
| 0711 | 900337690  | PERNO        | PIN        | ZAPFEN          | PIVOT         |
| 0713 | 900443432  | RACCORDO     | CONNECTOR  | ANSCHLUSS       | RACCORD       |
| 0714 | 900452564  | VALVOLA      | VALVE      | VENTIL          | VANNE         |
| 0715 | 900415279  | SILENZIATORE | SILENCER   | SCHALLDAEMPFER  | SILENCIEUX    |
| 0716 | 900337687  | PEDALE       | PEDAL      | PEDAL           | PEDALE        |
| 0720 | 900437689  | MOLLA        | SPRING     | FEDER           | RESSORT       |
| 0721 | 900422255  | DADO         | NUT        | MUTTER          | ECROU         |
| 0722 | 900338824  | ATTACCO      | ADAPTOR    | HALTERUNG       | ATTAQUE       |
| 0723 | 900438820  | MOLLA        | SPRING     | FEDER           | RESSORT       |
| 0724 | 900338823  | PERNO        | PIN        | ZAPFEN          | PIVOT         |
| 0725 | 900438821  | MOLLA        | SPRING     | FEDER           | RESSORT       |
| 0726 | 900239558  | TIRANTE      | STAY ROD   | ZUGSTANGE       | TIRANT        |
| 0727 | 900338819  | FLANGIA      | FLANGE     | FLANSCH         | FLASQUE       |
| 0728 | 900417836  | MOLLA        | SPRING     | FEDER           | RESSORT       |
| 0729 | 900338818  | CILINDRO     | CYLINDER   | ZYLINDER        | CYLINDRE      |
| 0730 | 900338822  | STELO        | STEM       | SCHAFT          | TIGE          |
| 0731 | 900354903  | FLANGIA      | FLANGE     | FLANSCH         | FLASQUE       |
| 0732 | 900246426  | RACCORDO     | CONNECTOR  | ANSCHLUSS       | RACCORD       |
| 0733 | 900337453  | BLOCCETTO    | BLOCK      | BLOCK           | BLOC          |
| 0734 | 900237466  | MOZZO Q.L.   | HUB Q.L.   | NABE Q.L.       | MOYAU Q.L.    |
| 0735 | 900360662  | ATTACCO      | ADAPTOR    | HALTERUNG       | ATTAQUE       |



|  |                |               |                |            |
|--|----------------|---------------|----------------|------------|
|  | <b>EM 8540</b> | <b>Fig. H</b> | <b>07 / 01</b> | <b>ROD</b> |
|--|----------------|---------------|----------------|------------|

|      |           |               |               |                 |               |
|------|-----------|---------------|---------------|-----------------|---------------|
| Ø 6  | 900701684 | TUBO          | PIPE          | ROHR            | TUYAU         |
| 0802 | 900242144 | SUPPORTO      | SUPPORT       | LAGER           | SUPPORT       |
| 0803 | 900341301 | VITE          | SCREW         | SCHRAUBE        | VIS           |
| 0804 | 900341302 | PIASTRA       | SLAB          | PLATTE          | PLAQUE        |
| 0805 | 900341303 | VITE          | SCREW         | SCHRAUBE        | VIS           |
| 0806 | 900341304 | PERNO         | PIN           | ZAPFEN          | PIVOT         |
| 0807 | 900441305 | FERMO         | RETAINER      | ANSCHLAG        | ARRET         |
| 0808 | 900341306 | CARTER        | CASING        | GEHAUSE         | CARTER        |
| 0809 | 900442826 | MOLLA         | SPRING        | FEDER           | RESSORT       |
| 0810 | 900428719 | VITE          | SCREW         | SCHRAUBE        | VIS           |
| 0811 | 900427290 | RACCORDO      | CONNECTOR     | ANSCHLUSS       | RACCORD       |
| 0812 | 900439266 | CILINDRO      | CYLINDER      | ZYLINDER        | CYLINDRE      |
| 0813 | 900439267 | PISTONE       | PISTON        | KOLBEN          | PISTON        |
| 0815 | 900341322 | INGRANAGGIO   | GEAR          | ZAHNRADGETRIEBE | ENGRENAGE     |
| 0816 | 900441321 | POTENZIOMETRO | POTENTIOMETER | POTENTIOMETER   | POTENTIOMETRE |

| <b>9801</b> | <b>900241326</b> | <b>LEVA</b> | <b>LEVER</b> | <b>HEBEL</b>    | <b>LEVIER</b> |
|-------------|------------------|-------------|--------------|-----------------|---------------|
| 0820        | 950407253        | RONDELLA    | WASHER       | UNTERLEGSCHIEBE | RONDELLE      |
| 0821        | 900341325        | BLOCCHETTO  | BLOCK        | BLOCK           | BLOC          |
| 0822        | 900341327        | PERNO       | PIN          | ZAPFEN          | PIVOT         |
| 0823        | 900341328        | ROTELLA     | WHEEL        | RAEDCHEN        | ROULETTE      |
| 0824        | 950408046        | MOLLA       | SPRING       | FEDER           | RESSORT       |
| 0825        | 900600240        | SFERA       | BALL         | KUGEL           | BILLE         |
| 0839        | 900343069        | PIASTRINA   | PLATE        | PLAETTCHEN      | PLAQUETTE     |
| 0840        | 950407253        | RONDELLA    | WASHER       | UNTERLEGSCHIEBE | RONDELLE      |
| 0841        | 900442366        | LEVA        | LEVER        | HEBEL           | LEVIER        |

|      |           |                |            |              |           |
|------|-----------|----------------|------------|--------------|-----------|
| 0826 | 900241337 | CAVO           | CABLE      | KABEL        | CABLE     |
| 0831 | 900441317 | MOLLA          | SPRING     | FEDER        | RESSORT   |
| 0833 | 900241338 | VALVOLA        | VALVE      | VENTIL       | VANNE     |
| 0834 | 900242145 | KITGUARNIZIONI | SEALSKIT   | DICHTUNGSATZ | KITJOINTS |
| 0835 | 900342365 | SUPPORTO       | SUPPORT    | LAGER        | SUPPORT   |
| 0836 | 900342590 | CHIUSURA       | CLOSING    | VERSCHLUSS   | FERMETURE |
| 0837 | 900342594 | BRACCIO        | ARM        | ARM          | BRAS      |
| 0838 | 900342591 | LAMIERA        | METALSHEET | BLECH        | TOLE      |

Il disegno è realizzato con tutti i particolari ma solo quelli codificati sono forniti come ricambi. L'Azienda si riserva la facoltà di apportare modifiche senza preavviso.



S.S. 468 n°9 - 42015 Correggio (RE) ITALY  
Tel. ++39 0522 639111 - Fax ++39 0522 639150  
[www.corghi.com](http://www.corghi.com) - [info@corghi.com](mailto:info@corghi.com)

The drawing shows all parts but only the coded parts are supplied as spares. The Company reserves the right to make modifications without prior notice.