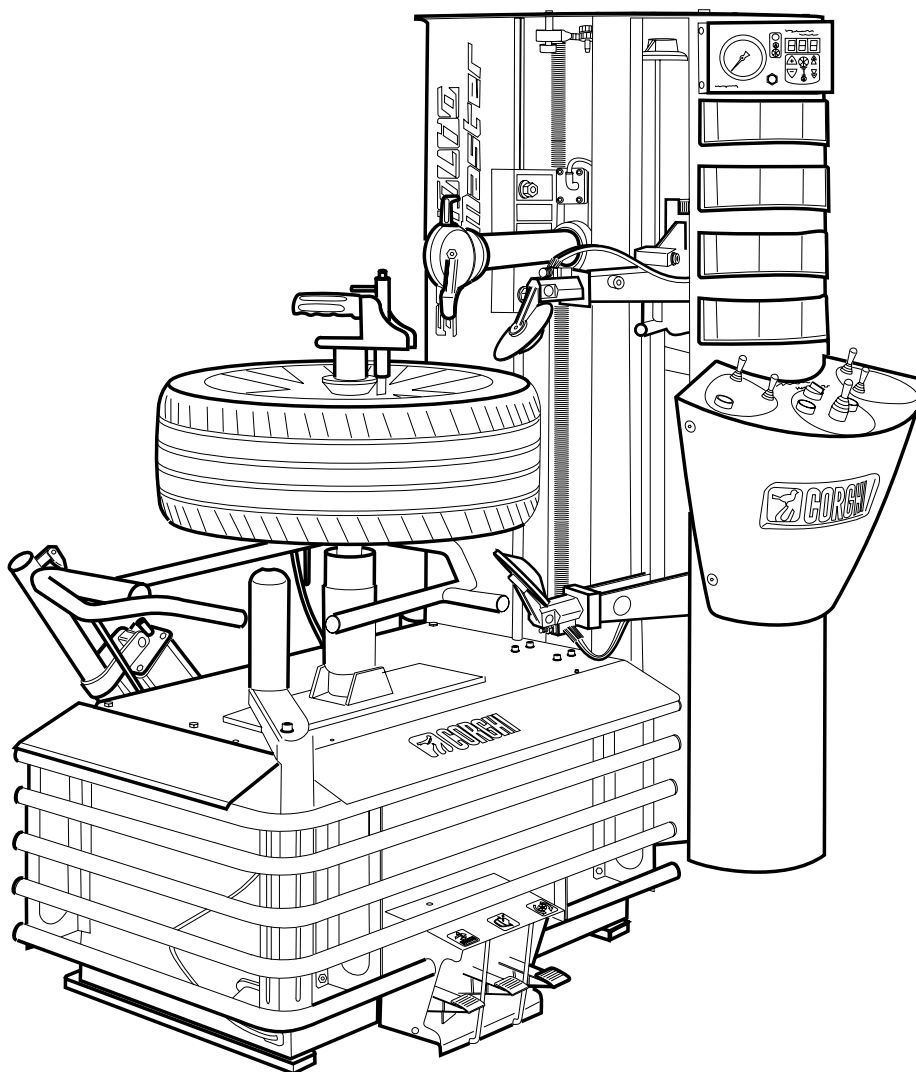


Questo libretto non autorizza l'utente ad intervenire sulle macchine ad esclusione di quanto esplicitamente descritto nel Manuale d'uso, ma consente all'utente di fornire informazioni precise all'Assistenza tecnica, al fine di ridurre i tempi di intervento.

# ARTIGLIO MASTER

The "Spare parts" booklet does not authorize the user to carry out work on the machine unless expressly specified in the instruction manual, but does enable him to provide accurate information to the assistance service in order to reduce downtime.

## PEZZI DI RICAMBIO SPARE PARTS LIST ERSATZTEILLISTE PIECES DE RECHANGE



Versione

1.0

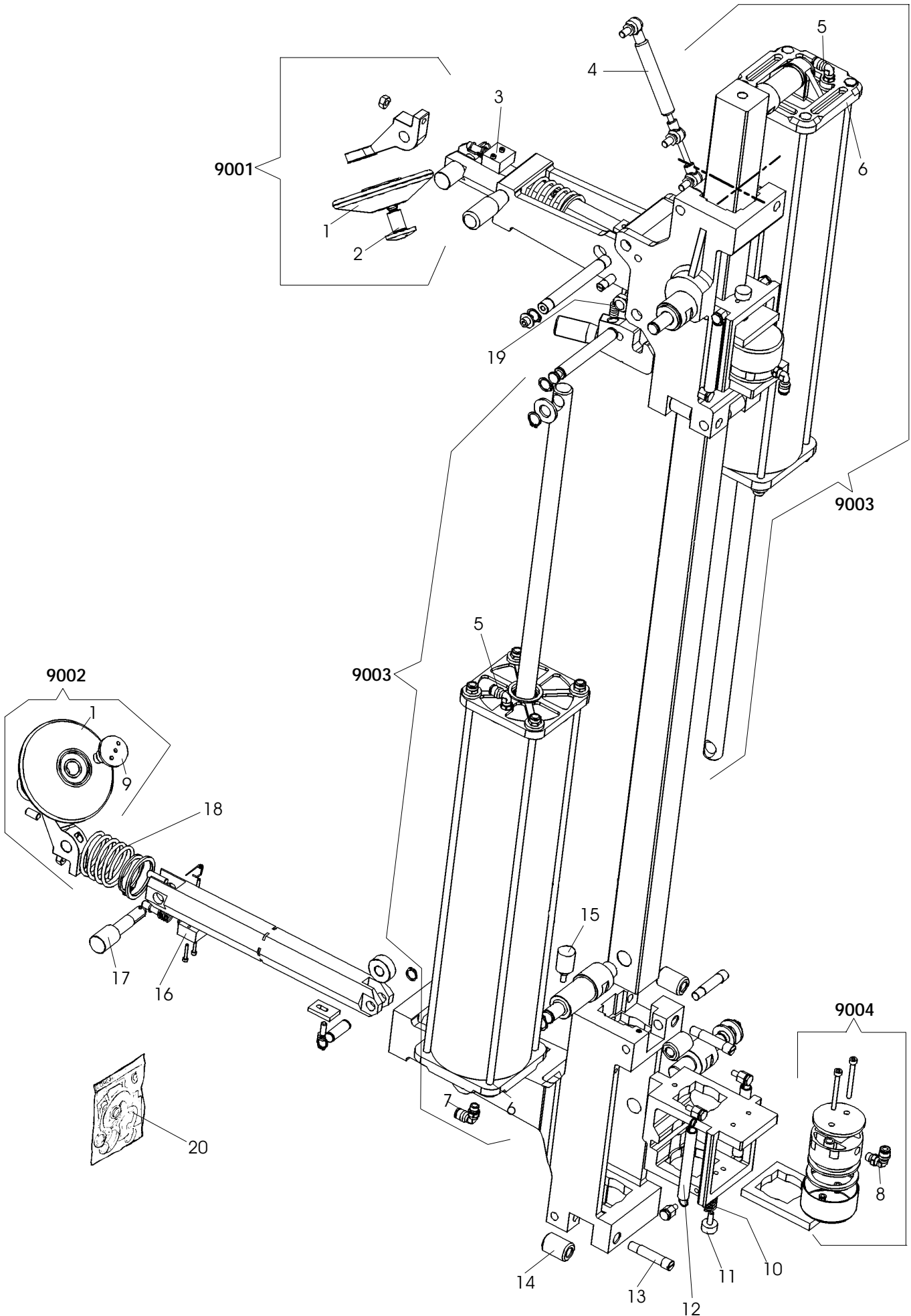
In produzione da  
Production from  
Herstellung ab  
Production

01 / 02

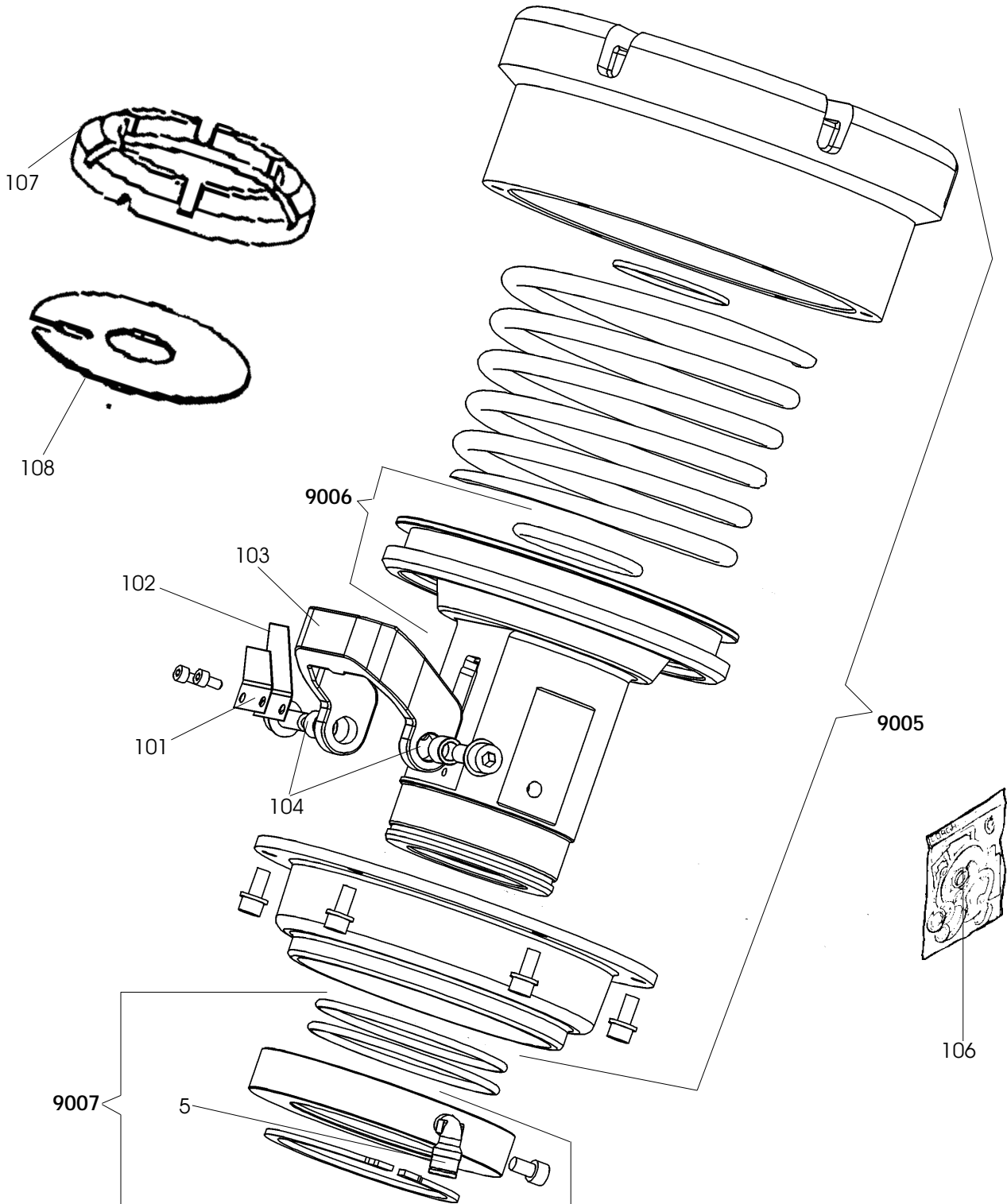
Der Katalog Ersatzteile stellt keine Genehmigung zu eigenmächtigen Eingriffen dar (mit Ausnahme jener im Handbuch beschriebenen), sondern er soll den Anwender in die Lage versetzen, dem technischen Service präzise Informationen zu liefern, um die Reparaturzeiten zu verkürzen.



Le livret "Pièces de rechange", n'autorise pas l'utilisateur à intervenir sur les machines, sauf pour tout ce qui est clairement décrit dans le manuel d'utilisation, mais lui permet de fournir des informations précises à l'assistance technique, afin de diminuer les délais d'intervention.

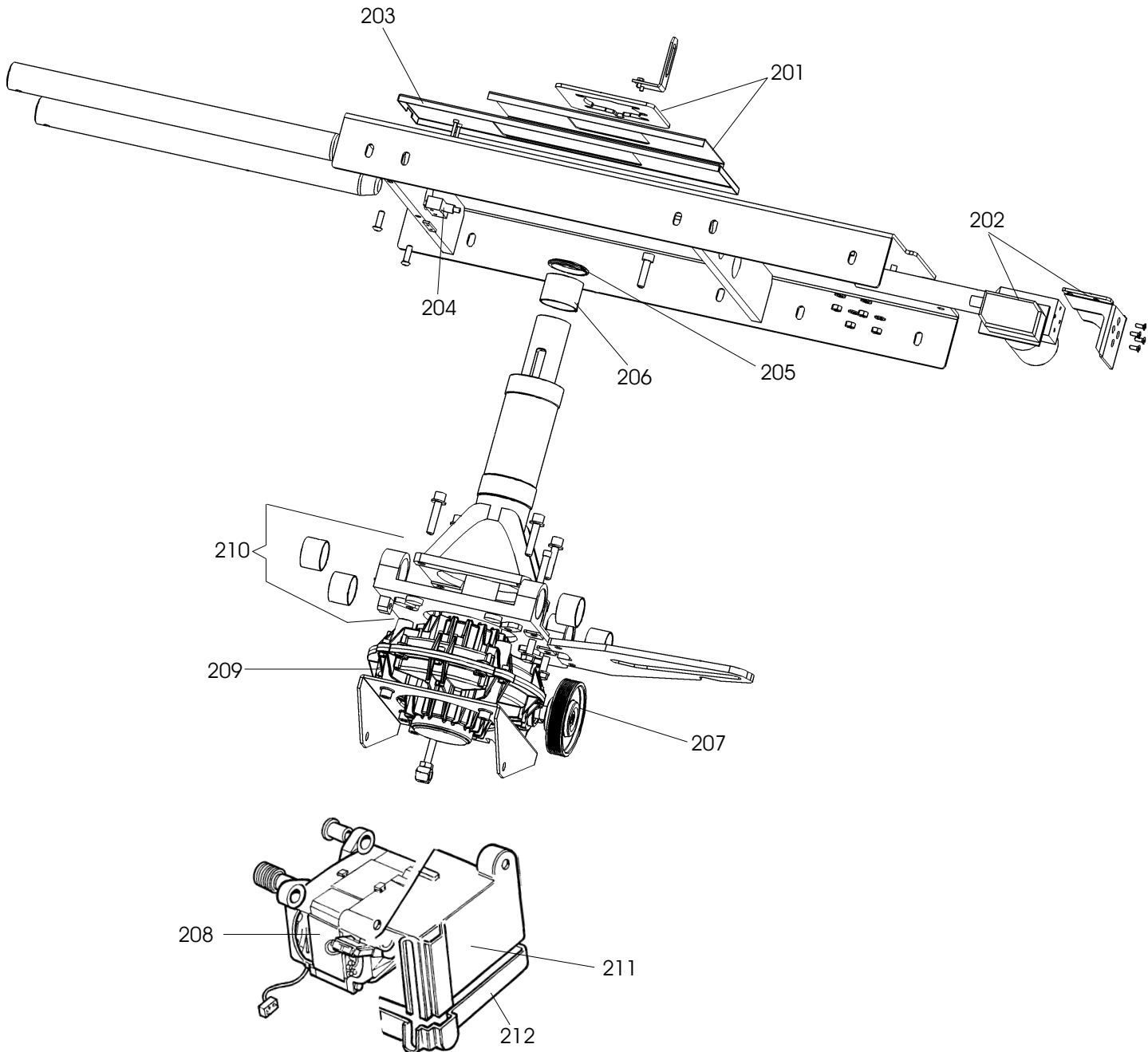


		ARTIGLIO MASTER	Fig. A	01 / 02	Stallonatore
<b>9001</b>	<b>900261425</b>	<b>DISCO</b>	<b>DISK</b>	<b>SCHEIBE</b>	<b>DISQUE</b>
0001	900461230	RULLO	ROLLER	WALZE	ROULEAU
0002	900344209	PERNO	PIN	ZAPFEN	PIVOT
<b>9002</b>	<b>900261426</b>	<b>DISCO</b>	<b>DISK</b>	<b>SCHEIBE</b>	<b>DISQUE</b>
0001	900461230	RULLO	ROLLER	WALZE	ROULEAU
0009	900361421	PERNO	PIN	ZAPFEN	PIVOT
<b>9003</b>	<b>900261424</b>	<b>CILINDRO</b>	<b>CYLINDER</b>	<b>ZYLINDER</b>	<b>CYLINDRE</b>
0006	900361400	FLANGIA	FLANGE	FLANSCH	FLASQUE
<b>9004</b>	<b>900261436</b>	<b>PISTONE</b>	<b>PISTON</b>	<b>KOLBEN</b>	<b>PISTON</b>
0008	9003-00220	RACCORDO	CONNECTOR	ANSCHLUSS	RACCORD
0003	9003-01155	VALVOLA	VALVE	VENTIL	VANNE
0004	900461434	AMMORTIZZATORE	SHOCK ABSORB.	STOSSDAEMPFER	AMORTISSEUR
0005	900440870	RACCORDO	CONNECTOR	ANSCHLUSS	RACCORD
0007	900446939	RACCORDO	CONNECTOR	ANSCHLUSS	RACCORD
0010	900461433	MOLLA	SPRING	FEDER	RESSORT
0011	900461430	ANTIVIBRANTE	VIBRATION DAMPER	SCHWINGUNGSDAEMPFER	ANTI-VIBRATION
0012	900461428	MOLLA	SPRING	FEDER	RESSORT
0013	900361397	ECCENTRICO	ECCENTRIC	NOCKEN	EXCENTRIQUE
0014	900361396	RULLO	ROLLER	WALZE	ROULEAU
0015	900461429	ANTIVIBRANTE	VIBRATION DAMPER	SCHWINGUNGSDAEMPFER	ANTI-VIBRATION
0016	900461435	MOLLA	SPRING	FEDER	RESSORT
0017	900361418	PERNO	PIN	ZAPFEN	PIVOT
0018	900461427	MOLLA	SPRING	FEDER	RESSORT
0019	900245067	KIT GUARN.(9003)	SEALS KIT(9003)	DICHTUNGSATZ(9003)	KIT JOINTS(9003)



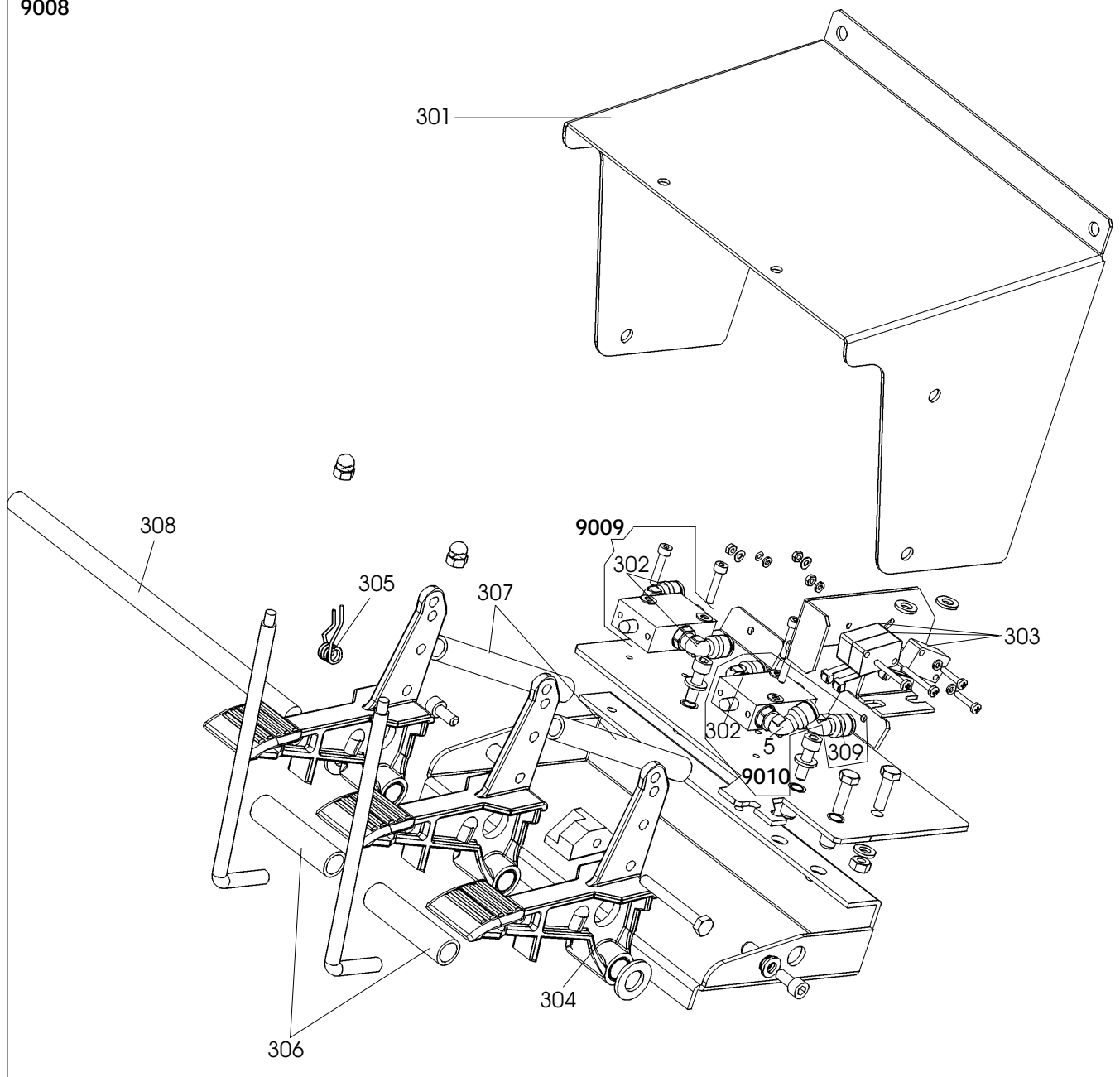
9005	900261294	AUTOCENTRANTE	TURNTABLE	SPANNFUTTER	PLATEAU AUTOCENTREUR
9006	900262385	PISTONE	PISTON	KOLBEN	PISTON
0101	900361285	BALESTRA	LEAF SPRING	BLATTFEDER	RESSORT A LAMES
0102	900361279	BALESTRA	LEAF SPRING	BLATTFEDER	RESSORT A LAMES
0103	900361274	GANCIO	HOOK	HAKEN	CROCHET
0104	900361278	DISTANZIALE	SPACER	ABSTANDSSTUECK	ENTRETOISE

9007	900262386	RACCORDO	CONNECTOR	ANSCHLUSS	RACCORD
0005	900440870	RACCORDO	CONNECTOR	ANSCHLUSS	RACCORD
0106	900262383	KIT GUARN.(9005)	SEALS KIT (9005)	DICHTUNGSATZ(9005)	KIT JOINTS(9005)
0107	900362083	ANELLO	RING	RING	ANNEAU
0108	900462098	PIATTELLO	PLATE	TELLERSCHEIBE	COUPELLE

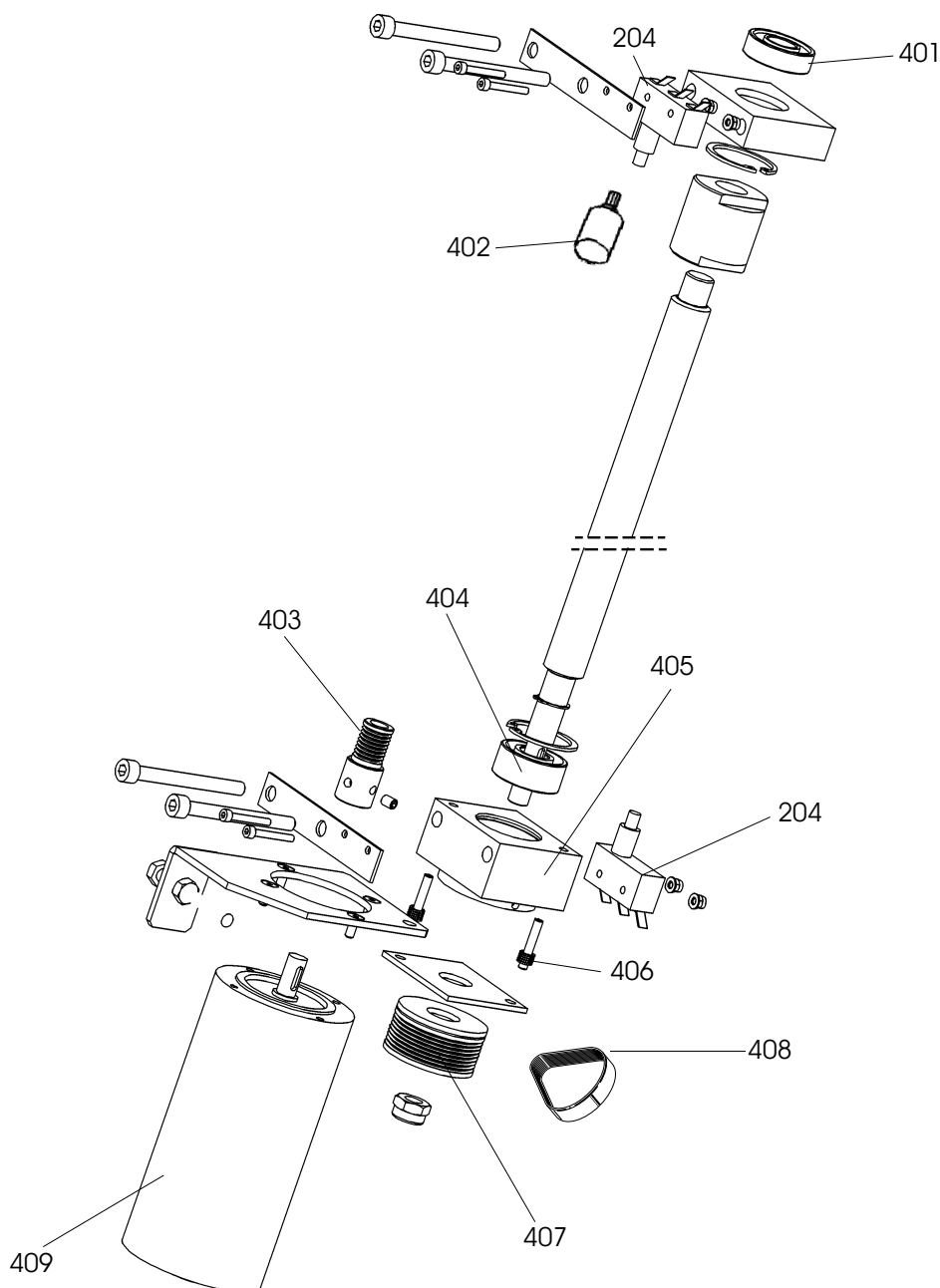


0201	900261660	PROTEZIONE	SHIELD	ABDECKUNG	PROTECTION
0202	900262388	ATTUATORE	ACTUATOR	DREHTRIEB	ACTUATEUR
0203	900361549	LAMIERA	METAL SHEET	BLECH	TOLE
0204	900461380	MICROINTERR.	MICROSWITCH	MIKROSCHALTER	MICROINTERRUPTEUR
0205	9003-01165	RASCHIAOLIO	SCRAPER RING	OELABSTREIFRING	RACLETTE
0206	9003-01162	BOCCOLA	BUSHING	LAGER	DOUILLE
0207	900354082	PULEGGIA	PULLEY	RIEMENSCHLEIBE	POULIE
0208	900251870	MOTORE	MOTOR	MOTOR	MOTEUR
0209	900261584	RIDUTTORE	GEAR BOX	GETRIEBE	REDUCTEUR
0210	900261583	CARRELLO	TROLLEY	WAGEN	CHARIOT
0211	900446016	COPERCHIO	LID	DECKEL	COUVERCLE
0212	900446013	COPERCHIO	LID	DECKEL	COUVERCLE

9008

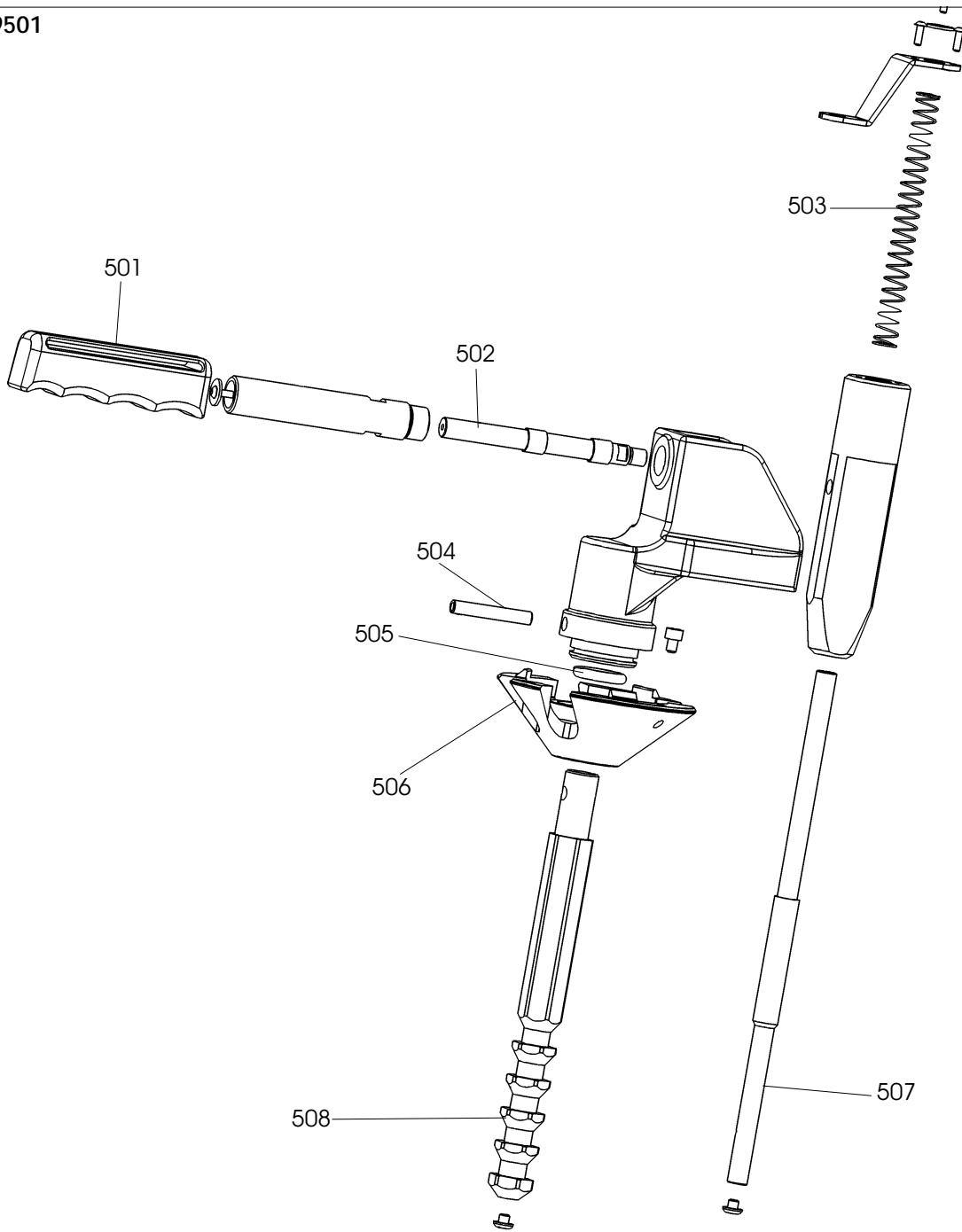


9008	900261980	PEDALIERA	CONTROL PEDAL	PEDALERIE	GR.PEDALES
9009	900261525	VALVOLA	VALVE	VENTIL	VANNE
0302	900440868	RACCORDO	CONNECTOR	ANSCHLUSS	RACCORD
9010	900261979	VALVOLA	VALVE	VENTIL	VANNE
0005	900440870	RACCORDO	CONNECTOR	ANSCHLUSS	RACCORD
0302	900440868	RACCORDO	CONNECTOR	ANSCHLUSS	RACCORD
0301	900361536	COPERCHIO	LID	DECKEL	COUVERCLE
0303	900440874	MICROINTERR.	MICROSWITCH	MIKROSCHALTER	MICROINTERRUPTEUR
0304	900252010	PEDALE	PEDAL	PEDAL	PEDALE
0305	900428682	MOLLA	SPRING	FEDER	RESSORT
0306	900361534	DISTANZIALE	SPACER	ABSTANDSSTUECK	ENTRETOISE
0307	900410628	MOLLA	SPRING	FEDER	RESSORT
0308	900361533	PERNO	PIN	ZAPFEN	PIVOT



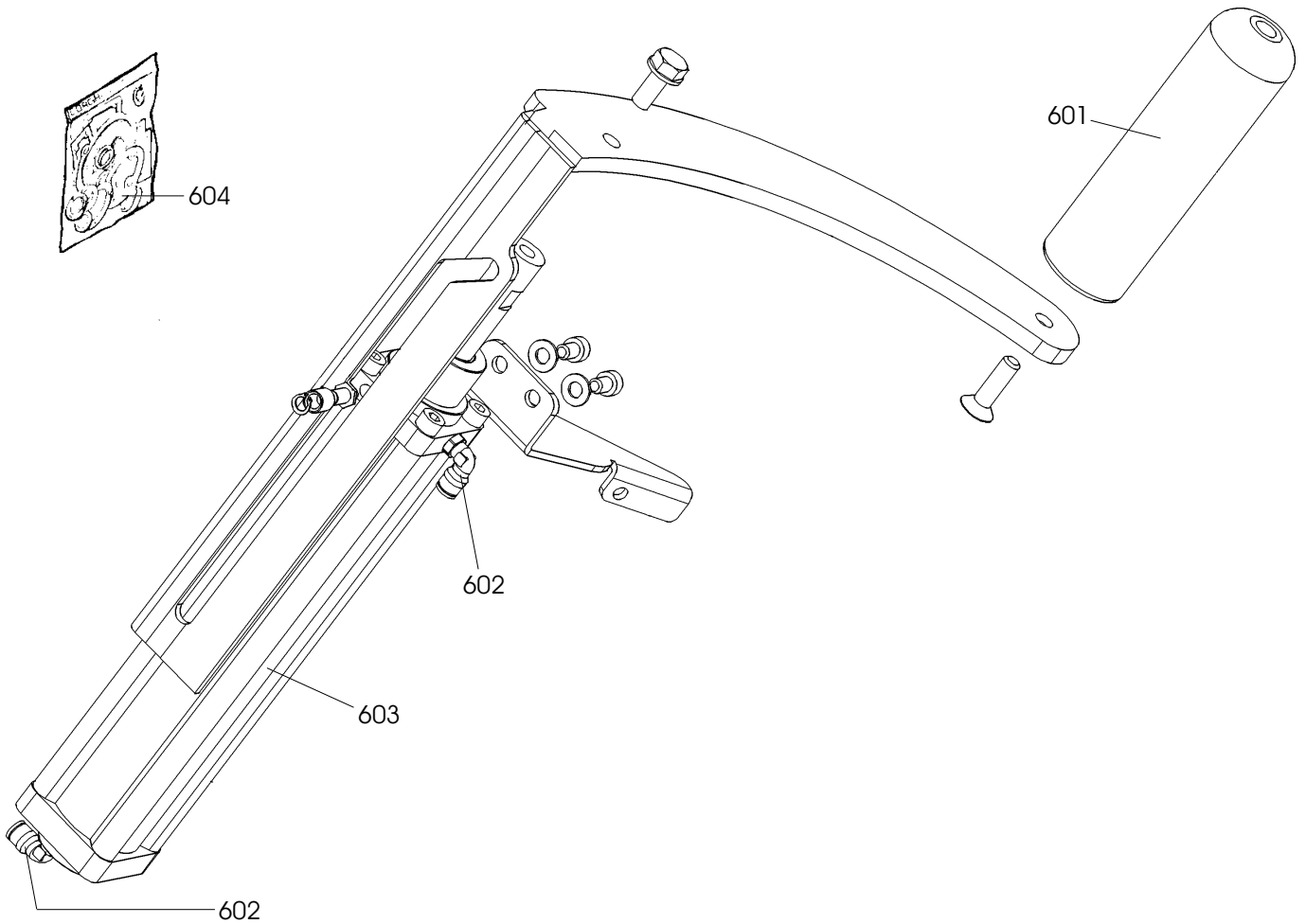
0204	900461380	MICROINTERR.	MICROSWITCH	MIKROSCHALTER	MICROINTERRUPTEUR
0401	9002-03071	CUSCINETTO	BEARING	LAGER	ROULEMENT
0402	900461579	ANTIVIBRANTE	VIBRATION DAMPER	SCHWINGUNGSDAEMPFER	ANTI-VIBRATION
0403	900361597	PULEGGIA	PULLEY	RIEMENSCHIEBE	POULIE
0404	9002-03070	CUSCINETTO	BEARING	LAGER	ROULEMENT
0405	900261622	ELETTROMAGNETE	ELECTROMAGNETE	ELEKTROMAGNET	ELECTRO-AIMANT
0406	900461610	MOLLA	SPRING	FEDER	RESSORT
0407	900261632	PULEGGIA	PULLEY	RIEMENSCHIEBE	POULIE
0408	9003-01167	CINGHIA	BELT	RIEMEN	COURROIE
0409	900461611	MOTORE	MOTOR	MOTOR	MOTEUR

9501

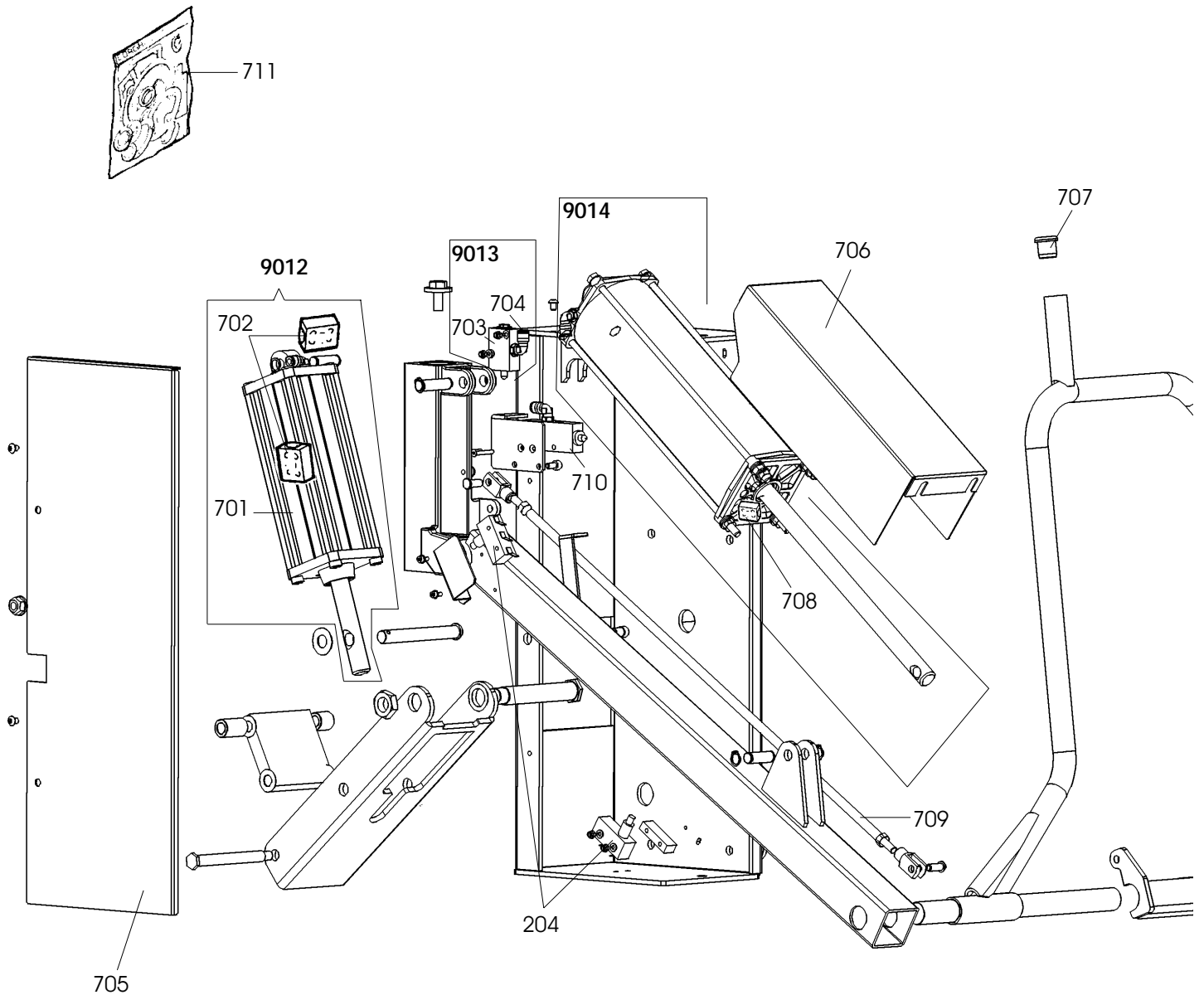


9011	900261586	MANIGLIA	HANDLE	HANDGRIFF	POIGNEE
0501	900461591	MANIGLIA	HANDLE	HANDGRIFF	POIGNEE
0502	900361551	PERNO	PIN	ZAPFEN	PIVOT
0503	900461592	MOLLA	SPRING	FEDER	RESSORT
0504	9002-02556	SPINA	PLUG	STECKER	FICHE
0505	9003-01164	GUARNIZIONE	SEAL	DICHTUNG	JOINT
0506	900361590	CONO	CONE	KEGEL	CONE
0507	900361587	PERNO	PIN	ZAPFEN	PIVOT
0508	900361532	BARRA	BAR	STANGE	BARRE

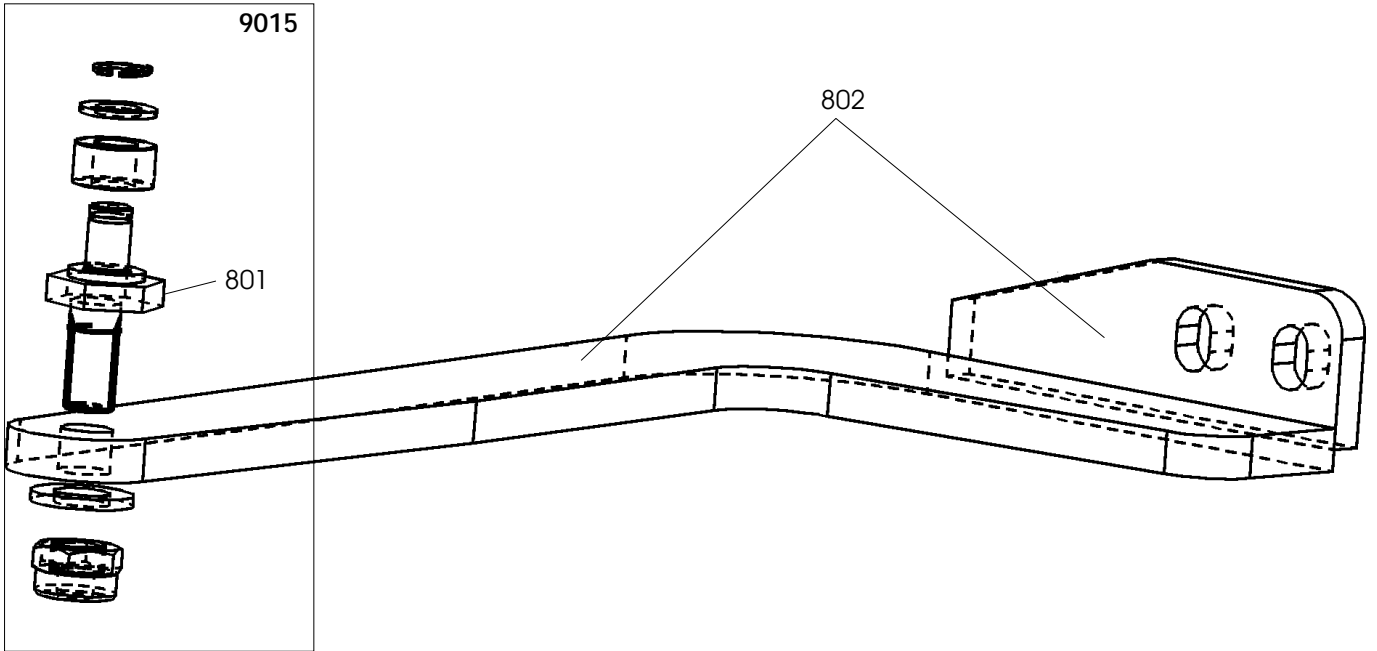




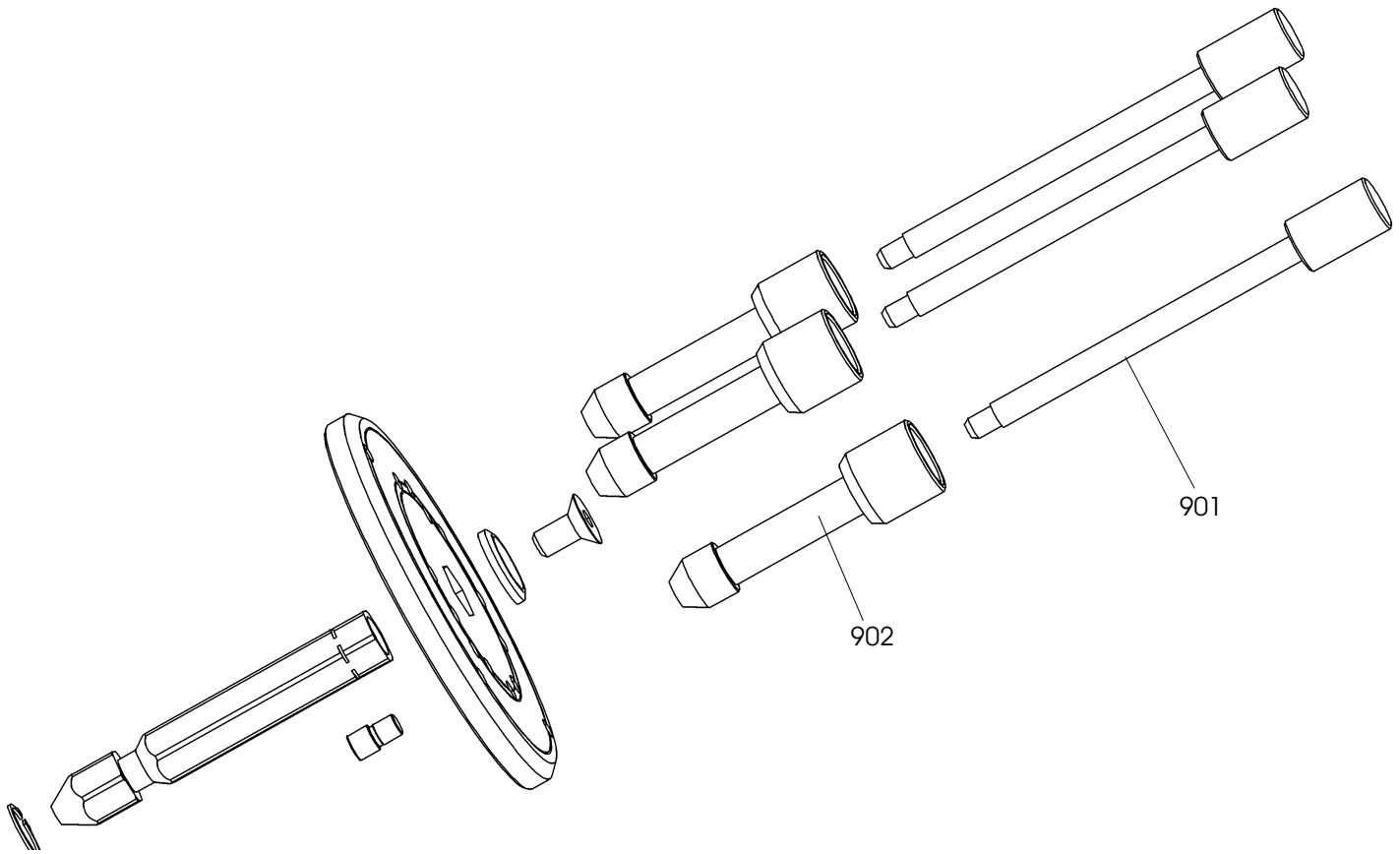
0601	900361315	SUPPORTO	SUPPORT	LAGER	SUPPORT
0602	900443367	RACCORDO	CONNECTOR	ANSCHLUSS	RACCORD
0603	900261326	CILINDRO	CYLINDER	ZYLINDER	CYLINDRE
0604	900262384	KIT GUARN.(603)	SEALS KIT(603)	DICHTUNGSSATZ(603)	KIT JOINTS(603)



<b>9012</b>	<b>900261731</b>	<b>CILINDRO</b>	<b>CYLINDER</b>	<b>ZYLINDER</b>	<b>CYLINDRE</b>
0701	900261377	CILINDRO	CYLINDER	ZYLINDER	CYLINDRE
0702	900261730	VALVOLA	VALVE	VENTIL	VANNE
<b>9013</b>	<b>900261729</b>	<b>VALVOLA</b>	<b>VALVE</b>	<b>VENTIL</b>	<b>VANNE</b>
0703	900452564	VALVOLA	VALVE	VENTIL	VANNE
0704	900438664	RACCORDO	CONNECTOR	ANSCHLUSS	RACCORD
<b>9014</b>	<b>900261517</b>	<b>CILINDRO</b>	<b>CYLINDER</b>	<b>ZYLINDER</b>	<b>CYLINDRE</b>
0708	9003-01175	VALVOLA	VALVE	VENTIL	VANNE
0204	900461380	MICROINTERR.	MICROSWITCH	MIKROSCHALTER	MICROINTERRUPTEUR
0705	900361356	LAMIERA	METAL SHEET	BLECH	TOLE
0706	900361357	LAMIERA	METAL SHEET	BLECH	TOLE
0707	900461372	TAPPO	PLUG	STOPFEN	BOUCHON
0709	900361367	TIRANTE	STAY ROD	ZUGSTANGE	TIRANT
0710	900440578	RUBINETTO	VALVE	HAHN	ROBINET
0711	900262382	KIT GUARN.(701)	SEALS KIT(701)	DICHTUNGSATZ(701)	KIT JOINTS(701)
0711	900241484	KIT GUARN.(9014)	SEALS KIT(9014)	DICHTUNGSATZ(9014)	KIT JOINTS(9014)



9015	900262387	ECCENTRICO	ECCENTRIC	NOCKEN	EXCENTRIQUE
0801	900361308	ECCENTRICO	ECCENTRIC	NOCKEN	EXCENTRIQUE
0802	900261309	BRACCIO	ARM	ARM	BRAS

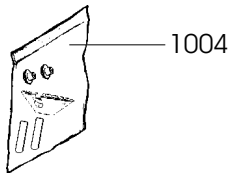
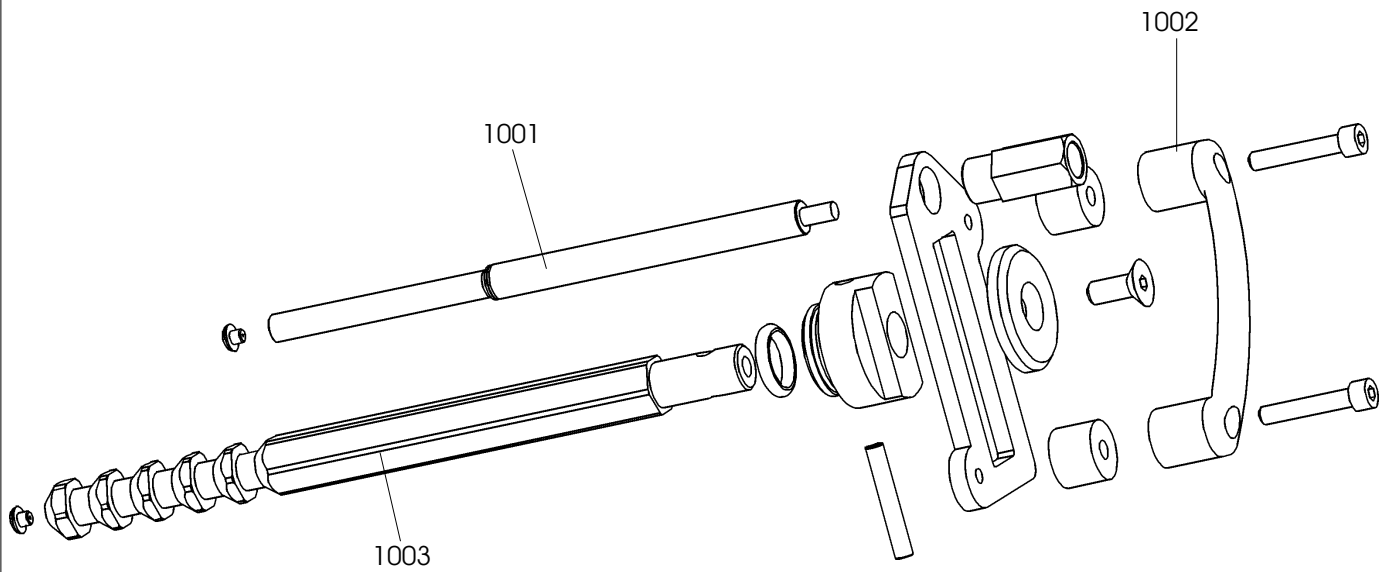


0901 900361647 VITE  
0902 900361648 GHIERA

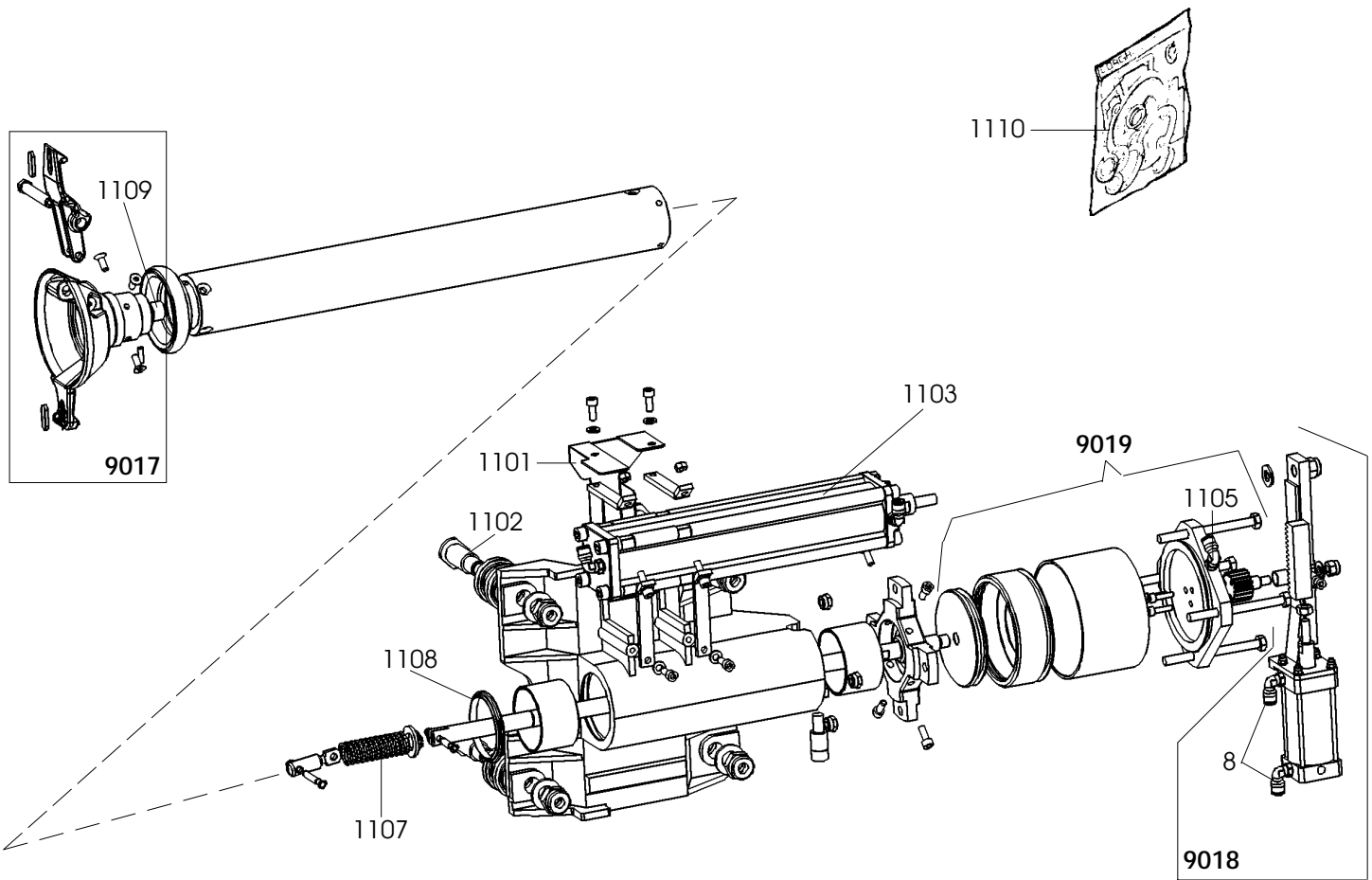
SCREW  
NUT

SCHRAUBE  
NUTMUTTER

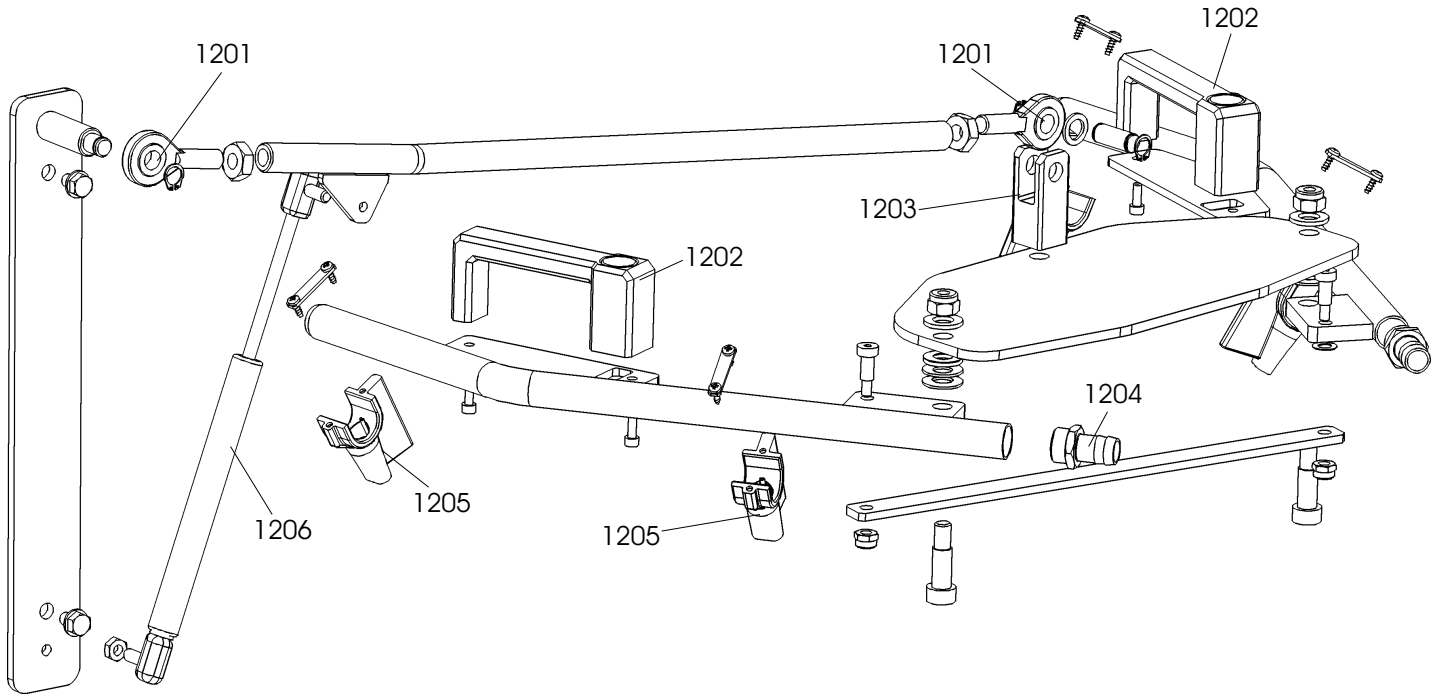
VIS  
BAGUE

**9016**


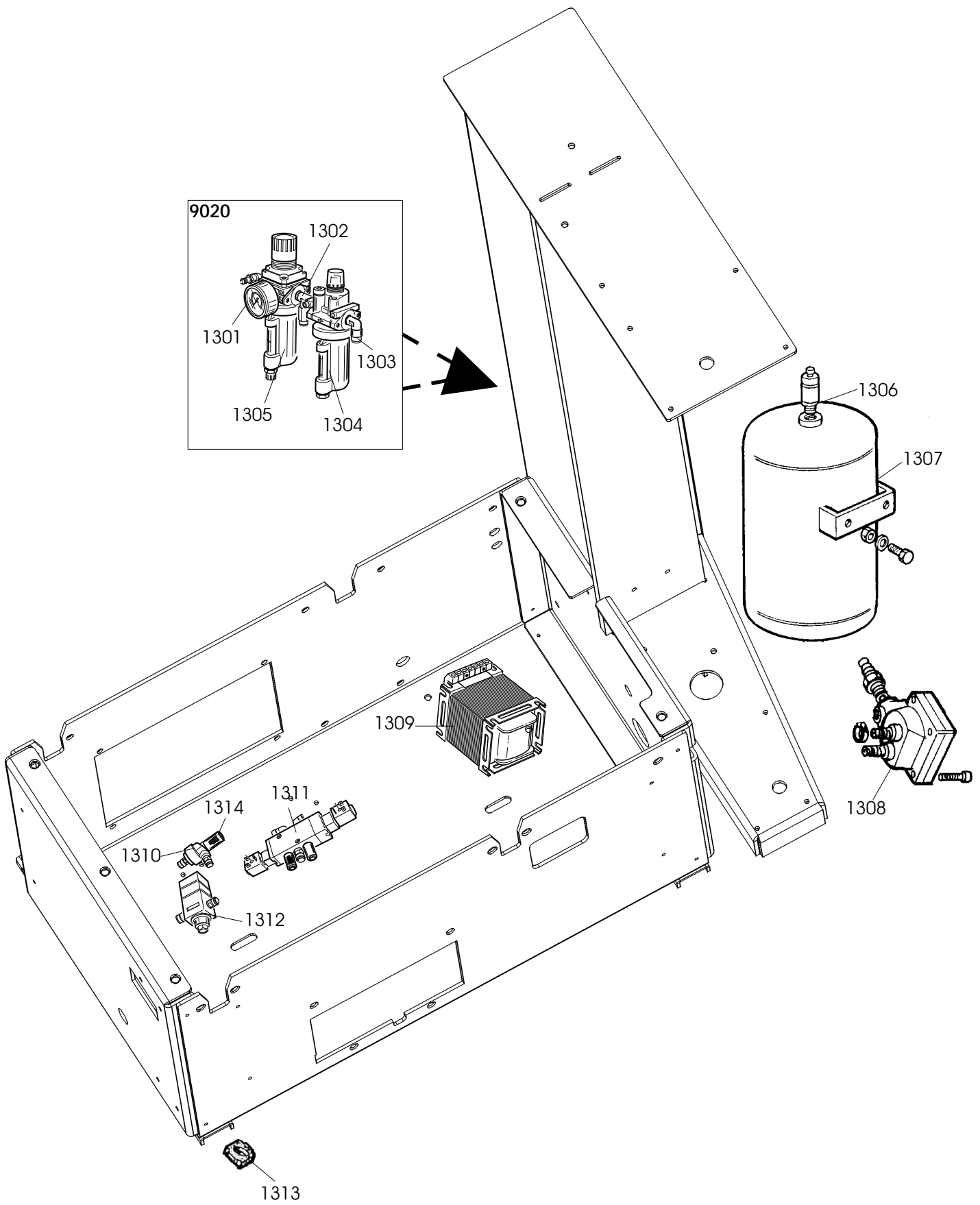
9016	900261623	MANIGLIA	HANDLE	HANDGRIFF	POIGNEE
1001	900361627	PERNO	PIN	ZAPFEN	PIVOT
1002	900458702	MANIGLIA	HANDLE	HANDGRIFF	POIGNEE
1003	900361624	BARRA	BAR	STANGE	BARRE
1004	900262389	KIT PROT.PLASTICA	PLASTIC PROT.KIT	VERWANDLUNGSATZ	KIT PROTEC.PLASTIQUE



<b>9017</b>	<b>900262390</b>	<b>TESTINA</b>	<b>HEAD</b>	<b>KOPF</b>	<b>TETE</b>
1109	9003-01158	BOCCOLA	BUSHING	LAGER	DOUILLE
<b>9018</b>	<b>900261505</b>	<b>CILINDRO</b>	<b>CYLINDER</b>	<b>ZYLINDER</b>	<b>CYLINDRE</b>
0008	9003-00220	RACCORDO	CONNECTOR	ANSCHLUSS	RACCORD
<b>9019</b>	<b>900261613</b>	<b>UTENSILE</b>	<b>TOOL</b>	<b>WERKZEUG</b>	<b>OUTIL</b>
0704	900438664	RACCORDO	CONNECTOR	ANSCHLUSS	RACCORD
1101	900361497	LAMIERA	METAL SHEET	BLECH	TOLE
1102	900361496	PERNO	PIN	ZAPFEN	PIVOT
1103	900261500	CILINDRO	CYLINDER	ZYLINDER	CYLINDRE
1107	900461510	MOLLA	SPRING	FEDER	RESSORT
1108	9003-01173	RASCHIAOLIO	SCRAPER RING	OELABSTREIFRING	RACLETTE
1110	900245486	KIT GUARN.(9018)	SEALS KIT(9018)	DICHTUNGSATZ(9018)	KIT JOINTS(9018)
1110	900456222	KIT GUARN.(1103)	SEALS KIT(1103)	DICHTUNGSATZ(1103)	KIT JOINTS(1103)

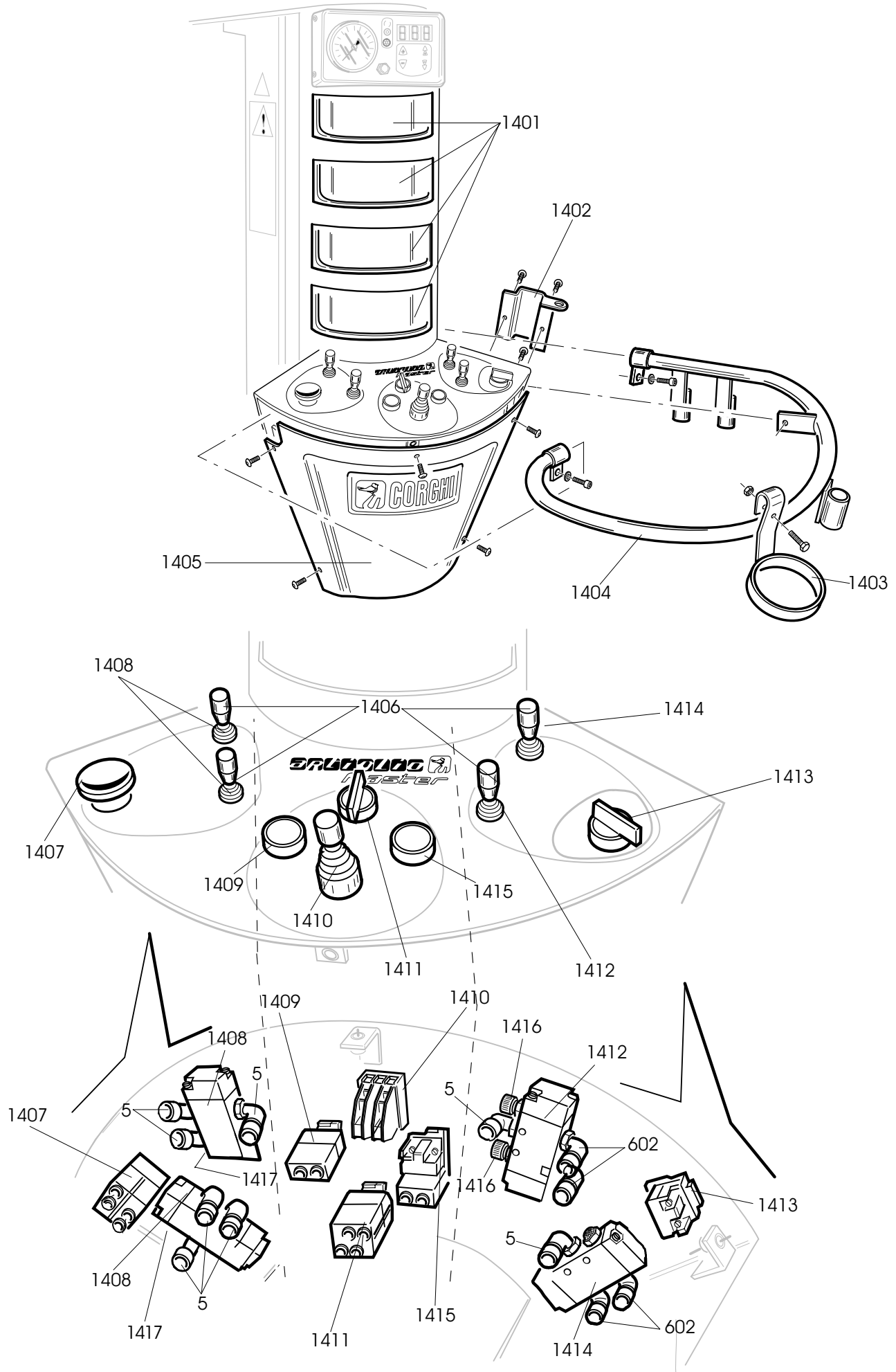


1201	9002-03089	TERMINALE	TERMINAL	ENDVERSCHLUSS	COSSE
1202	900462118	MANIGLIA	HANDLE	HANDGRIFF	POIGNEE
1203	900362194	FORCELLA	FORK	GABEL	FOURCHE
1204	900441144	RACCORDO	CONNECTOR	ANSCHLUSS	RACCORD
1205	900462124	UGELLO	NOZZLE	DUESE	BUSE-TUYERE
1206	900462140	MOLLA	SPRING	FEDER	RESSORT

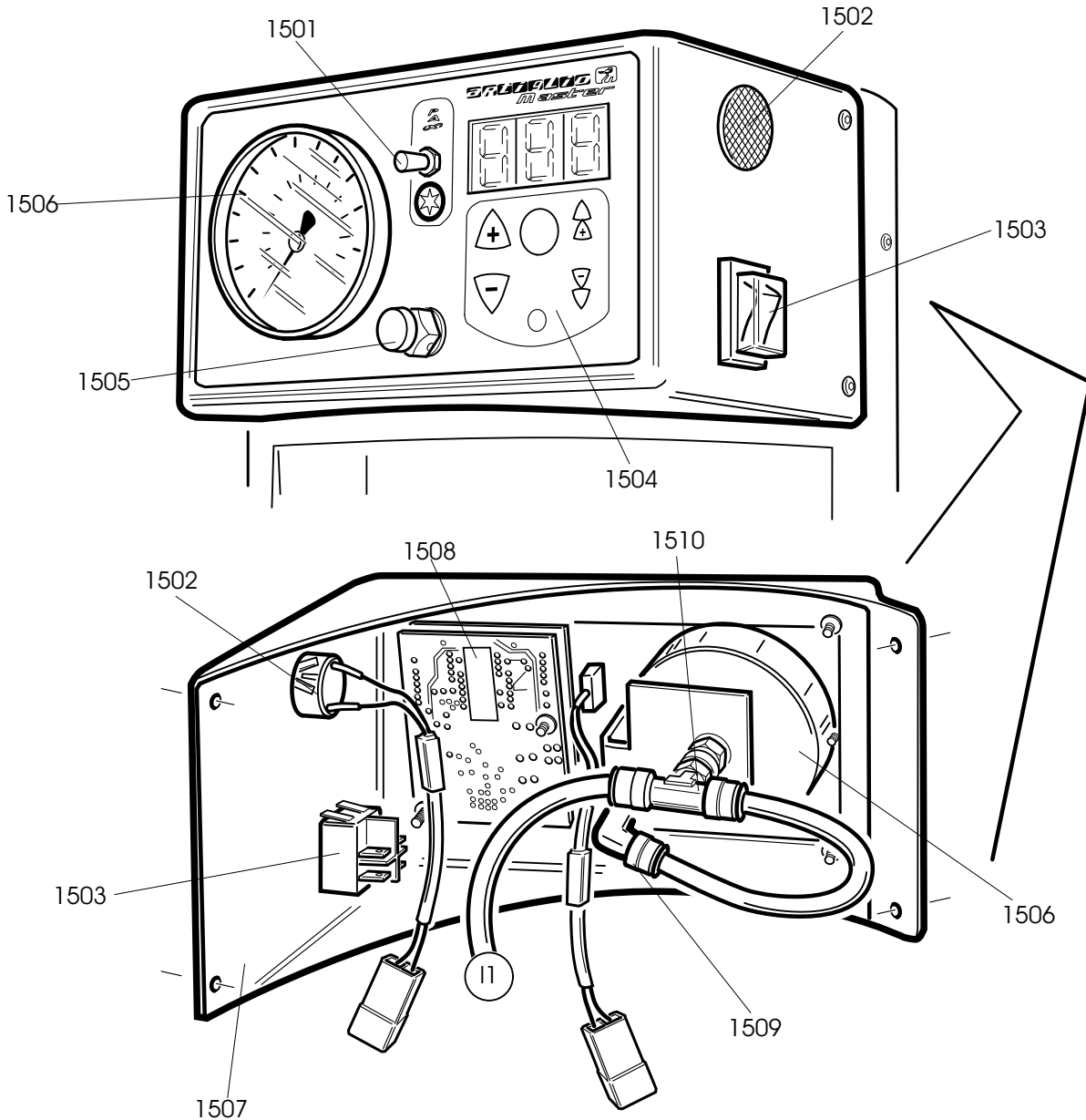




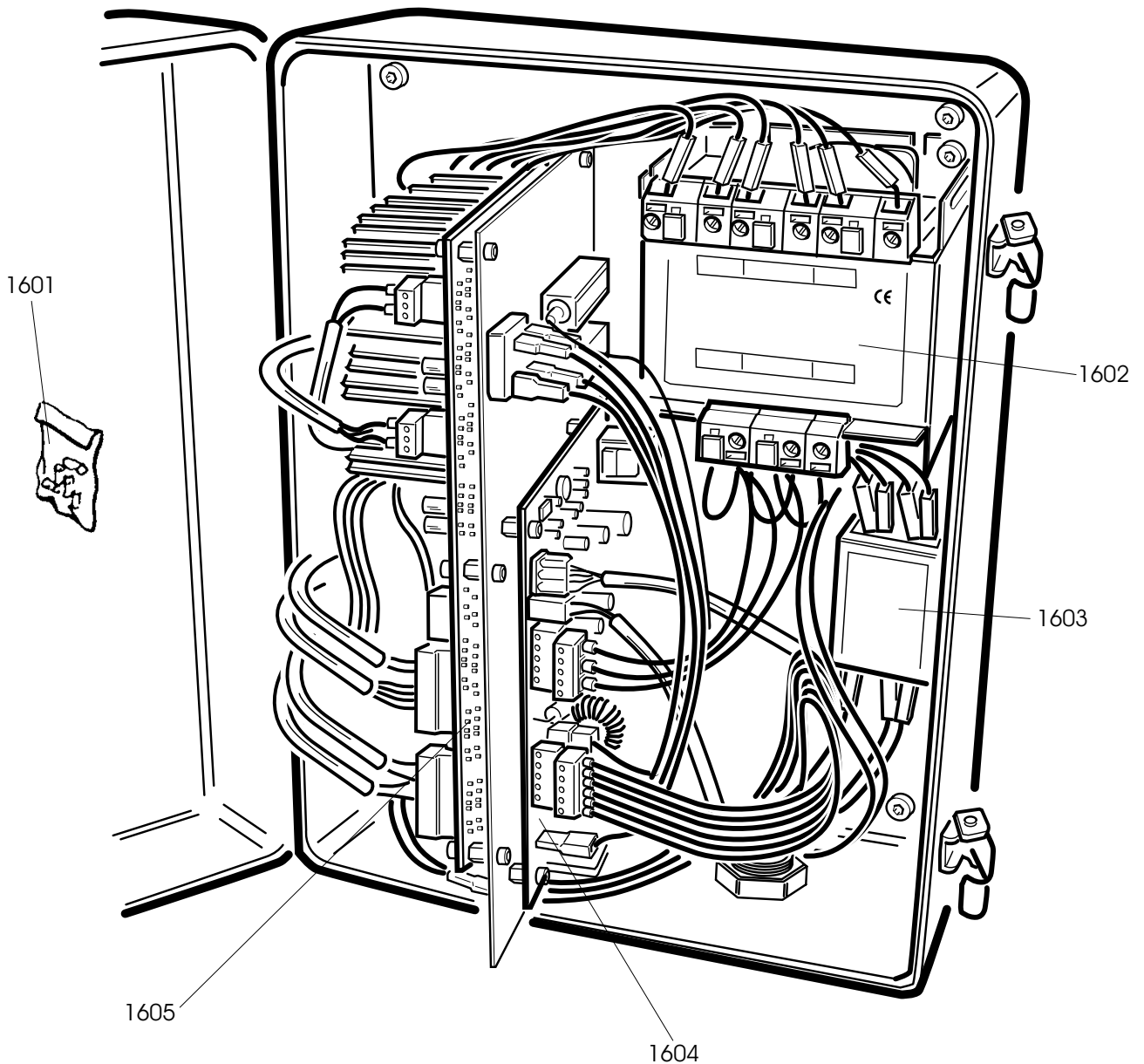
9020	900261637	FILTRO	FILTER	FILTER	FILTRE
1301	900434818	MANOMETRO	PRESSURE GAUGE	DRUCKMESSER	MANOMETRE
1302	900438514	GIUNTO	COUPLING	KUPPLUNG	ACCOUPLLEMENT
1303	900450406	RACCORDO	CONNECTOR	ANSCHLUSS	RACCORD
1304	900439377	BICCHIERE	BOWL	GLAS	BOL
1305	900439376	BICCHIERE	BOWL	GLAS	BOL
1306	900435077	VALVOLA	VALVE	VENTIL	VANNE
1307	900262215	SERBATOIO	TANK	TANK	RESERVOIR
1308	900243203	VALVOLA	VALVE	VENTIL	VANNE
1309	900462056	AUTOTRASFORMA.	TRANSFORMER	SPARTRANSFORMATOR	AUTOTRANSFORMATEUR
1310	900262035	VALVOLA	VALVE	VENTIL	VANNE
1311	900261638	VALVOLA	VALVE	VENTIL	VANNE
1312	900452553	VALVOLA	VALVE	VENTIL	VANNE
1313	900422019	PIEDE	FOOT	FUSS	PIED
1314	900419138	SILENZIATORE	SILENCER	SCHALLDAEMPFER	SILENCIEUX



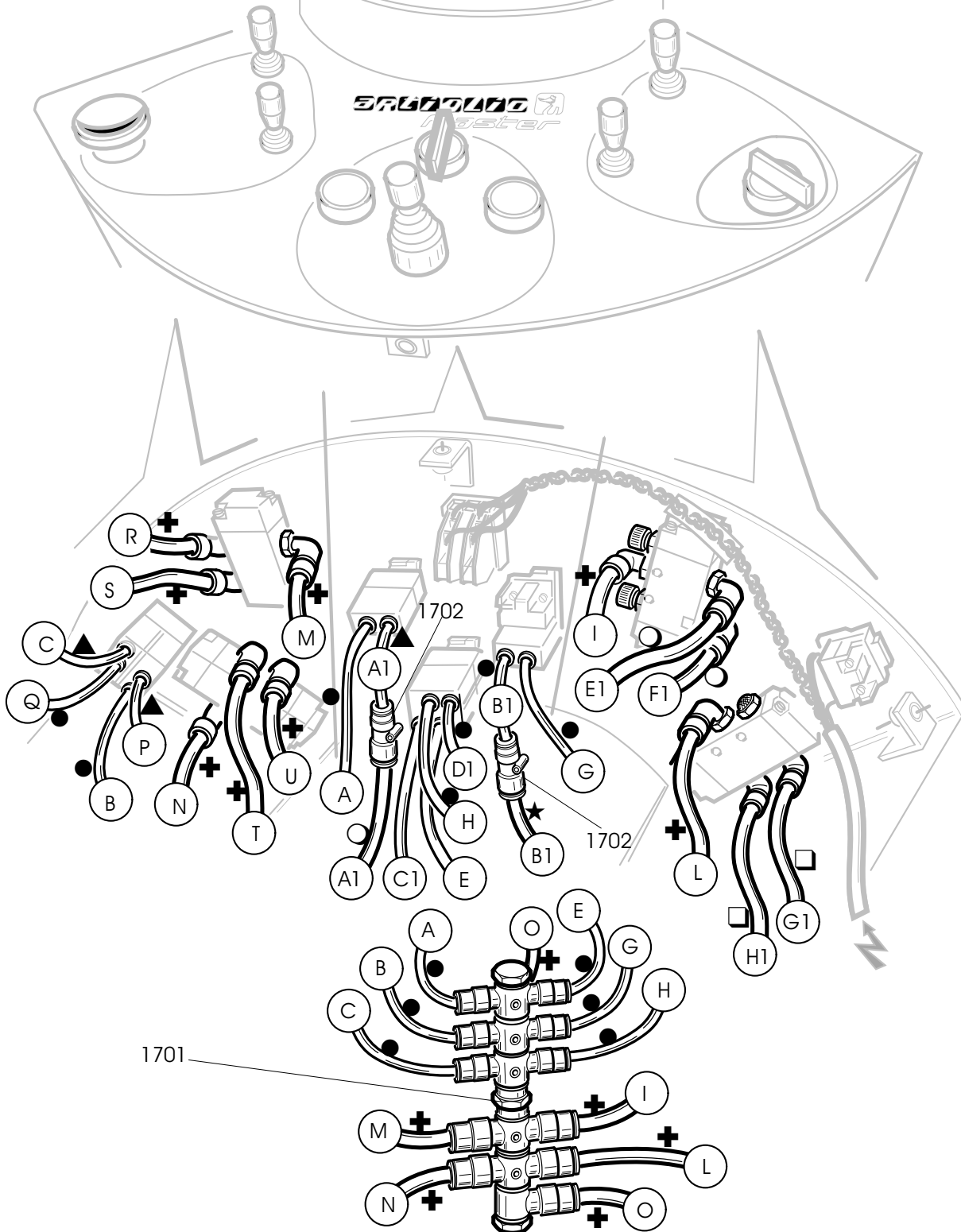
		ARTIGLIO MASTER	Fig. R	01 / 02	Consolle
0005	900440870	RACCORDO	CONNECTOR	ANSCHLUSS	RACCORD
0602	900443367	RACCORDO	CONNECTOR	ANSCHLUSS	RACCORD
1401	900461850	VASCHETTA	CUP	KLEINE WANNE	PETIT BAC
1402	900361271	SUPPORTO	SUPPORT	LAGER	SUPPORT
1403	900261651	ATTACCO	ADAPTOR	HALTERUNG	ATTAQUE
1403	900261060	ATTACCO 5KG	ADAPTOR 5KG	HALTERUNG 5KG	ATTAQUE 5KG
1404	900261261	TUBO	PIPE	ROHR	TUYAU
1405	900461849	COFANO	HOOD	HAUBE	COFFRE
1406	900440585	MANOPOLA	KNOB	BALLENGRIFF	BOUTON
1407	900261832	INVERT.PENETRAZ.	REVERSER	RICHTUNGSWENDER	INVERSEUR
1408	900261831	INVERT.STALLONAT.	REVERSER	RICHTUNGSWENDER	INVERSEUR
1409	900261836	INVERT.UTENSILE	REVERSER	RICHTUNGSWENDER	INVERSEUR
1410	900261838	INVERT.TESTINA	REVERSER	RICHTUNGSWENDER	INVERSEUR
1411	900261837	INVERT.ROTAZIONE	REVERSER	RICHTUNGSWENDER	INVERSEUR
1412	900261834	INVERT.SPINGITORE	REVERSER	RICHTUNGSWENDER	INVERSEUR
1413	900261839	INVERT.PAX	REVERSER	RICHTUNGSWENDER	INVERSEUR
1414	900261833	INVERT.SOLLEVAT.	REVERSER	RICHTUNGSWENDER	INVERSEUR
1415	900261835	INVERT.ARRETRAM.	REVERSER	RICHTUNGSWENDER	INVERSEUR
1416	900433675	REGOLATORE	REGULATOR	REGLER	REGULATEUR
1417	900415279	SILENZIATORE	SILENCER	SCHALLDAEMPFER	SILENCIEUX



1501	900461799	MICROINTERR.	MICROSWITCH	MIKROSCHALTER	MICROINTERRUPTEUR
1502	900461800	SEGNALATORE	SIGNALER	KONTROLLEUCHE	TEMOIN
1503	950433848	INTERRUPTORE	SWITCH	SCHALTER	INTERRUPTEUR
1504	900461795	PANNELLO	PANEL	VERKLEIDUNG	PANNEAU
1505	900235463	VALVOLA	VALVE	VENTIL	VANNE
1506	900437831	MANOMETRO	PRESSURE GAUGEDRUCKMESSER	MANOMETRE	MANOMETRE
1506	9003-00493	MANOMETRO	PRESSURE GAUGEDRUCKMESSER	MANOMETRE	MANOMETRE
1507	900461794	CARTER	CASING	GEHAUSE	CARTER
1508	900461796	SCHEDA DISPLAY	P.C.BOARD	ELEKTR.PLATINE	FICHE ELECTR.
1509	900431999	RACCORDO	CONNECTOR	ANSCHLUSS	RACCORD
1510	900438665	RACCORDO	CONNECTOR	ANSCHLUSS	RACCORD

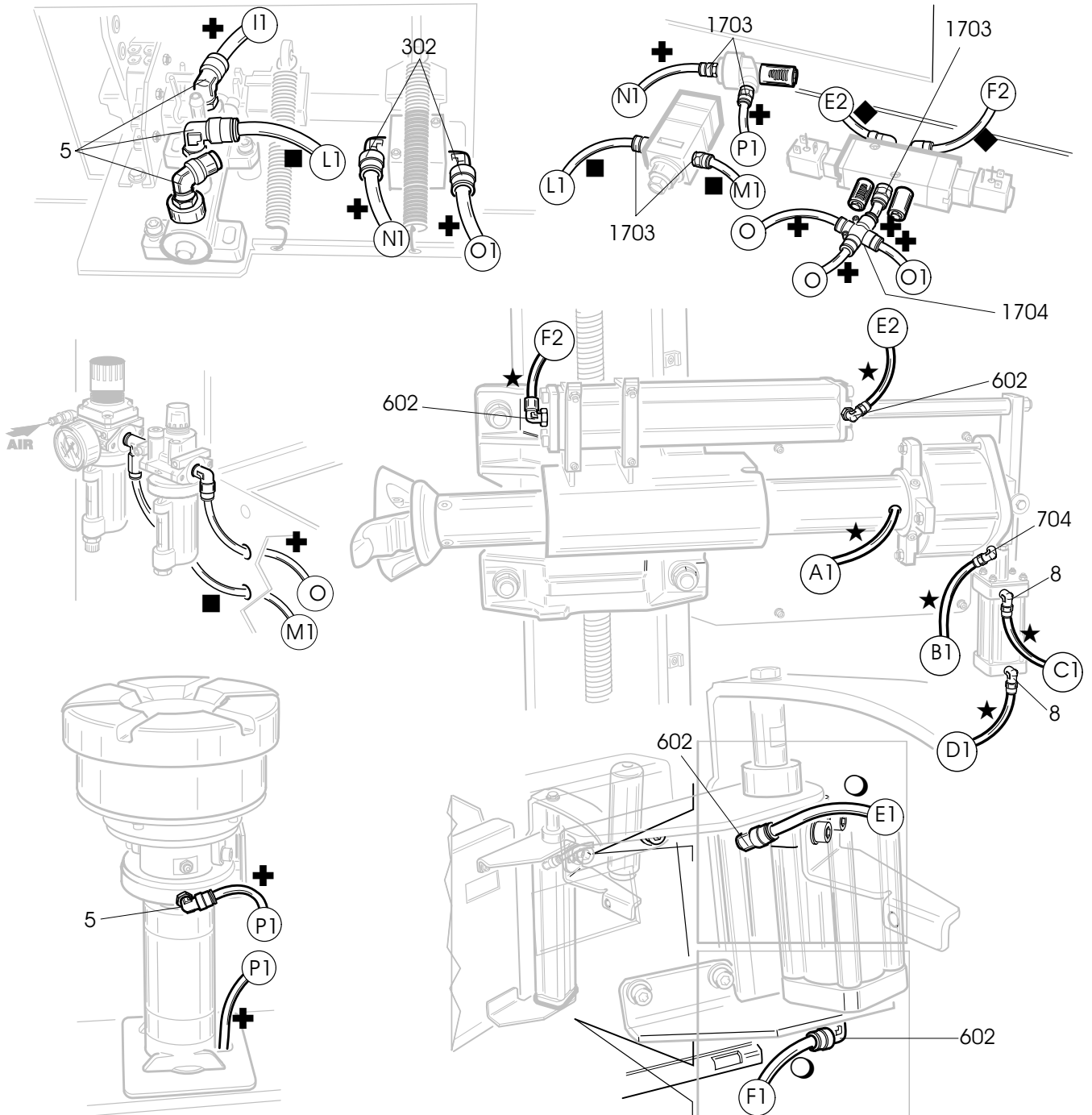


1601	950232942	SACCHETTO FUSIBILI 3,15 A RITARDATI	FUSE BAG 3,15 A DELAYED
1601	900255457	SACCHETTO FUSIBILI 16 A RITARDATI	FUSE BAG 16 A DELAYED
1601	900230057	SACCHETTO FUSIBILI 2 A RITARDATI	FUSE BAG 2A DELAYED
1601	900241582	SACCHETTO FUSIBILI 0,5 A RITARDATI	FUSE BAG 0,5 A DELAYED
1601	900229663	SACCHETTO FUSIBILI 10 A RITARDATI	FUSE BAG 10 A DELAYED
1602	900461829	TRASFORMATORE	TRANSFORMER
1603	900448666	FILTRO	FILTER
1604	900458984	SCHEDA ELETTRON. P.C.BOARD	ELEKTR.PLATINE
1605	900461828	SCHEDA ELETTRON. P.C.BOARD	ELEKTR.PLATINE
			TRANSFORMATEUR
			FILTRE
			FICHE ELECTR.
			FICHE ELECTR.



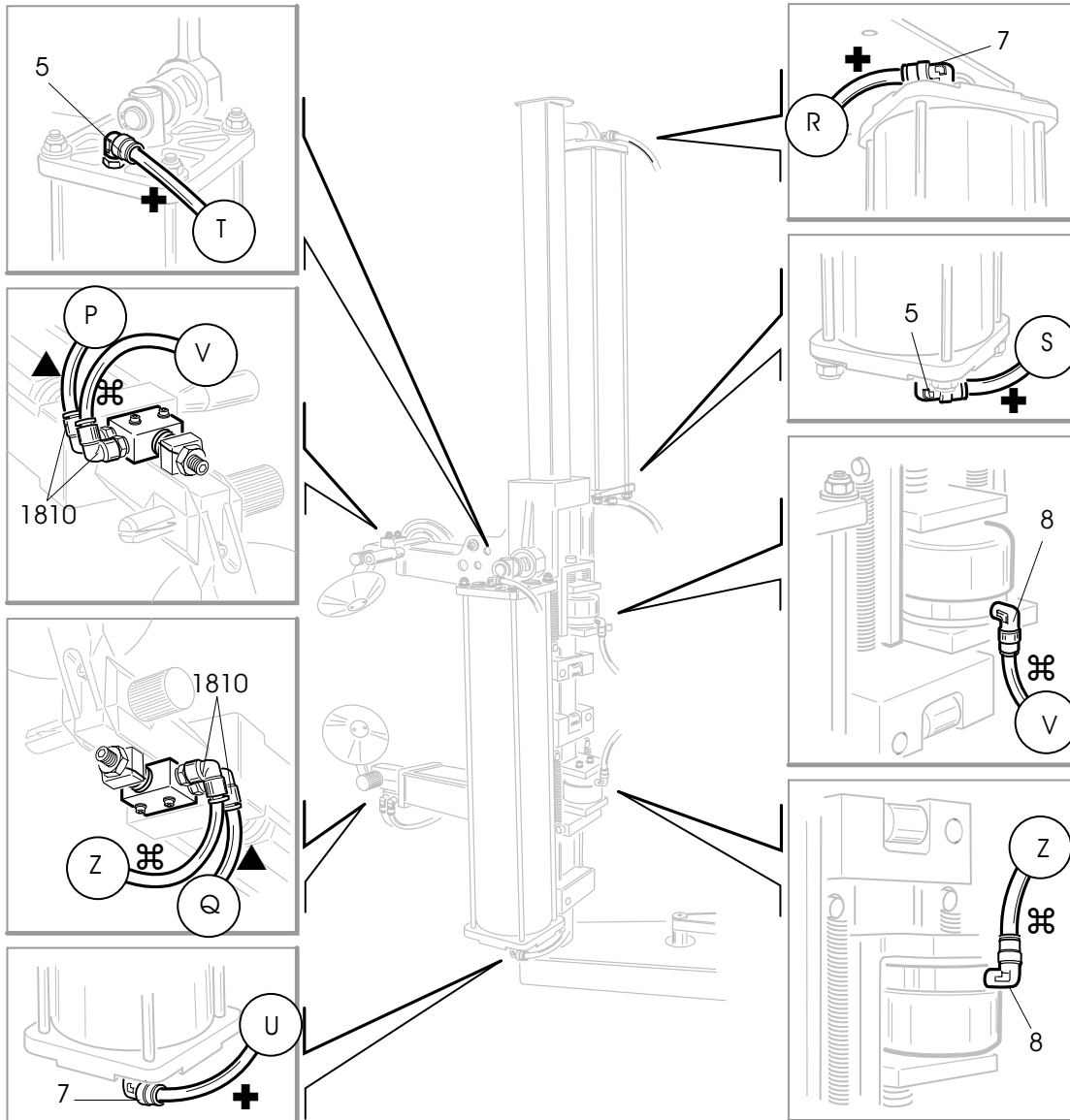
●	9001-04567	Tubo PA11 azzurro D.4x1	Pipe PA11 blue D.4x1	(max 2000mm)
+	9001-04333	Tubo PA12 nero D.8x1	Pipe PA12 black D.8x1	(max 2800mm)
□	900704036	Tubo PA11 giallo D.6x1	Tubo PA11 yellow D.6x1	(max 2100mm)
○	9001-04283	Tubo PA11 blu D.6x1	Pipe PA11 blue D.6x1	(max 2300mm)
▲	900704035	Tubo PA11 nero D.4x1	Pipe PA11 black D.4x1	(max 2700mm)
◆	9001-04002	Tubo PA11 trasparente D.6x1	Pipe PA11 white D.6x1	(max 3300mm)
■	9001-04001	Tubo PA12 rosso D.8x1	Pipe PA12 red D.8x1	(max 1700mm)
⌘	9001-04551	Tubo PA11 verde D.4x1	Pipe PA11 green D.4x1	(max 800mm)

1701	900261639	RACCORDO	CONNECTOR	ANSCHLUSS	RACCORD
1702	900380691	RACCORDO	CONNECTOR	ANSCHLUSS	RACCORD



●	9001-04567	Tubo PA11 azzurro D.4x1	Pipe PA11 blue D.4x1	(max 2000mm)
+	9001-04333	Tubo PA12 nero D.8x1	Pipe PA12 black D.8x1	(max 2800mm)
□	900704036	Tubo PA11 giallo D.6x1	Tubo PA11 yellow D.6x1	(max 2100mm)
○	9001-04283	Tubo PA11 blu D.6x1	Pipe PA11 blue D.6x1	(max 2300mm)
▲	900704035	Tubo PA11 nero D.4x1	Pipe PA11 black D.4x1	(max 2700mm)
◆	9001-04002	Tubo PA11 trasparente D.6x1	Pipe PA11 white D.6x1	(max 3300mm)
■	9001-04001	Tubo PA12 rosso D.8x1	Pipe PA12 red D.8x1	(max 1700mm)
⌘	9001-04551	Tubo PA11 verde D.4x1	Pipe PA11 green D.4x1	(max 800mm)

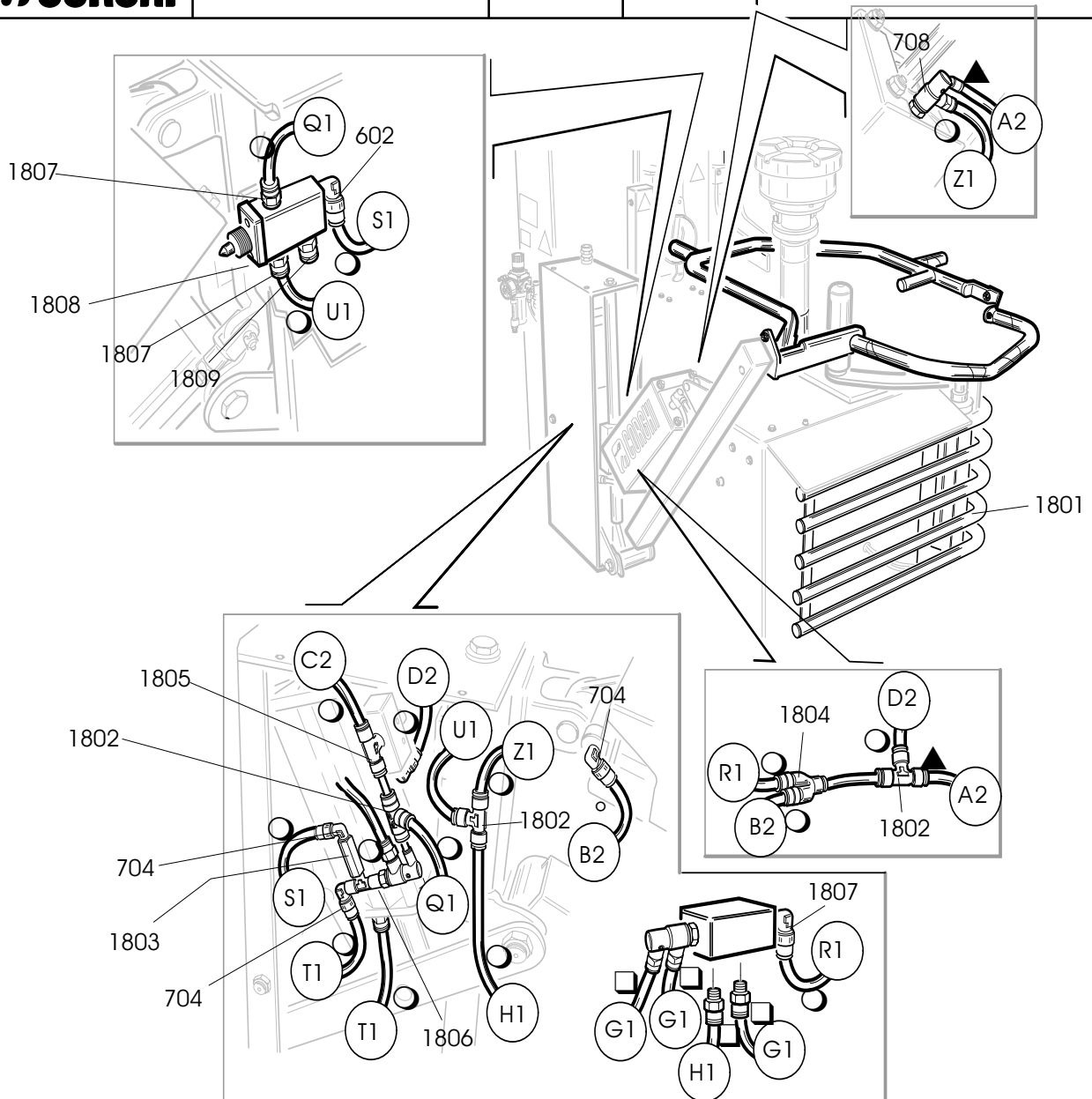
0005	900440870	RACCORDO	CONNECTOR	ANSCHLUSS	RACCORD
0008	9003-00220	RACCORDO	CONNECTOR	ANSCHLUSS	RACCORD
0302	900440868	RACCORDO	CONNECTOR	ANSCHLUSS	RACCORD
0602	900443367	RACCORDO	CONNECTOR	ANSCHLUSS	RACCORD
0704	900438664	RACCORDO	CONNECTOR	ANSCHLUSS	RACCORD
1703	900440887	RACCORDO	CONNECTOR	ANSCHLUSS	RACCORD
1704	9003-00021	RACCORDO	CONNECTOR	ANSCHLUSS	RACCORD



●	9001-04567	Tubo PA11 azzurro D.4x1	Pipe PA11 blue D.4x1	(max 2000mm)
+	9001-04333	Tubo PA12 nero D.8x1	Pipe PA12 black D.8x1	(max 2800mm)
□	900704036	Tubo PA11 giallo D.6x1	Tubo PA11 yellow D.6x1	(max 2100mm)
○	9001-04283	Tubo PA11 blu D.6x1	Pipe PA11 blue D.6x1	(max 2300mm)
▲	900704035	Tubo PA11 nero D.4x1	Pipe PA11 black D.4x1	(max 2700mm)
◆	9001-04002	Tubo PA11 trasparente D.6x1	Pipe PA11 white D.6x1	(max 3300mm)
■	9001-04001	Tubo PA12 rosso D.8x1	Pipe PA12 red D.8x1	(max 1700mm)
⌘	9001-04551	Tubo PA11 verde D.4x1	Pipe PA11 green D.4x1	(max 800mm)

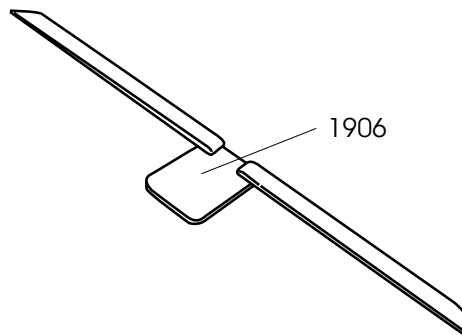
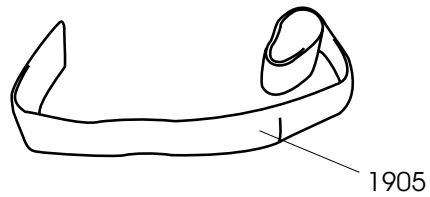
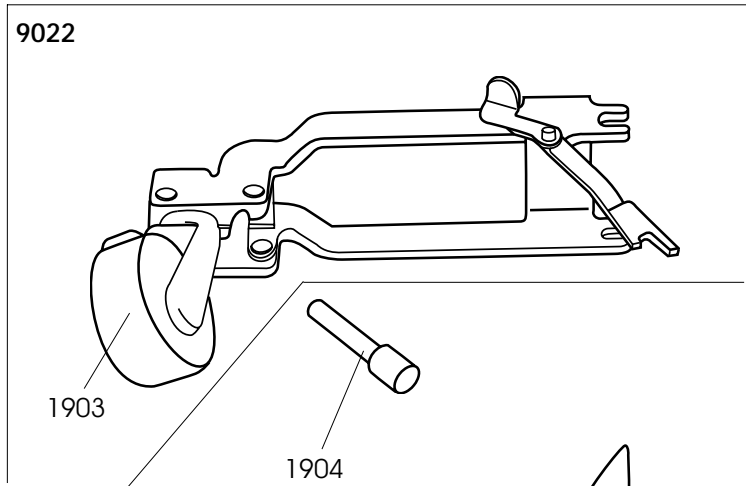
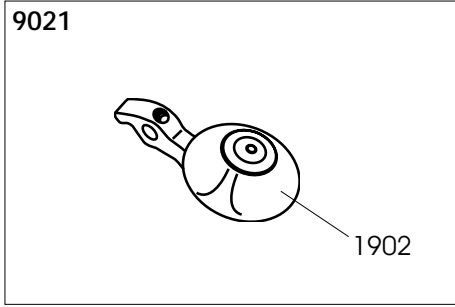
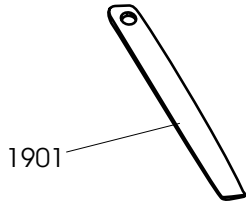
0005	900440870	RACCORDO	CONNECTOR	ANSCHLUSS	RACCORD
0007	900446939	RACCORDO	CONNECTOR	ANSCHLUSS	RACCORD
0008	9003-00220	RACCORDO	CONNECTOR	ANSCHLUSS	RACCORD
1810	9003-00239	RACCORDO	CONNECTOR	ANSCHLUSS	RACCORD





●	9001-04567	Tubo PA11 azzurro D.4x1	Pipe PA11 blue D.4x1	(max 2000mm)
+	9001-04333	Tubo PA12 nero D.8x1	Pipe PA12 black D.8x1	(max 2800mm)
□	900704036	Tubo PA11 giallo D.6x1	Tubo PA11 yellow D.6x1	(max 2100mm)
○	9001-04283	Tubo PA11 blu D.6x1	Pipe PA11 blue D.6x1	(max 2300mm)
▲	900704035	Tubo PA11 nero D.4x1	Pipe PA11 black D.4x1	(max 2700mm)
◆	9001-04002	Tubo PA11 trasparente D.6x1	Pipe PA11 white D.6x1	(max 3300mm)
■	9001-04001	Tubo PA12 rosso D.8x1	Pipe PA12 red D.8x1	(max 1700mm)
⌘	9001-04551	Tubo PA11 verde D.4x1	Pipe PA11 green D.4x1	(max 800mm)

0602	900443367	RACCORDO	CONNECTOR	ANSCHLUSS	RACCORD
0704	900438664	RACCORDO	CONNECTOR	ANSCHLUSS	RACCORD
1801	900261249	PROTEZIONE	SHIELD	ABDECKUNG	PROTECTION
1802	900432315	RACCORDO	CONNECTOR	ANSCHLUSS	RACCORD
1803	900432314	VALVOLA	VALVE	VENTIL	VANNE
1804	9003-00047	RACCORDO	CONNECTOR	ANSCHLUSS	RACCORD
1805	900442276	RACCORDO	CONNECTOR	ANSCHLUSS	RACCORD
1806	9003-01172	RACCORDO	CONNECTOR	ANSCHLUSS	RACCORD
1807	900441568	RACCORDO	CONNECTOR	ANSCHLUSS	RACCORD
1808	900440539	SILENZIATORE	SILENCER	SCHALLDAEMPFER	SILENCIEUX
1809	9003-00198	RACCORDO	CONNECTOR	ANSCHLUSS	RACCORD



9021	900262082	RULLO	ROLLER	WALZE	ROULEAU
1902	900362006	RULLO	ROLLER	WALZE	ROULEAU
9022	900261991	SUPPORTO	SUPPORT	LAGER	SUPPORT
1903	900360218	RULLO	ROLLER	WALZE	ROULEAU

1901	900460154	LEVA PAX	PAX LEVER	HEBEL	LEVIER
1904	900362007	PERNO	PIN	ZAPFEN	PIVOT
1905	900461826	CINGHIA	BELT	RIEMEN	COURROIE
1906	801260235	KIT REGLETTE	REGLETTE KIT	REGLETTE	REGLETTE



ARTIGLIO MASTER

01 / 02

NOTE

A series of horizontal dashed lines for writing notes.

Il disegno è realizzato con tutti i particolari ma solo quelli codificati sono forniti come ricambi. L'Azienda si riserva la facoltà di apportare modifiche senza preavviso.



S.S. 468 n°9 - 42015 Correggio (RE) ITALY  
Tel. ++39 0522 639111 - Fax ++39 0522 639150  
[www.corgchi.com](http://www.corgchi.com) - [info@corgchi.com](mailto:info@corgchi.com)

The drawing shows all parts but only the coded parts are supplied as spares. The Company reserves the right to make modifications without prior notice.