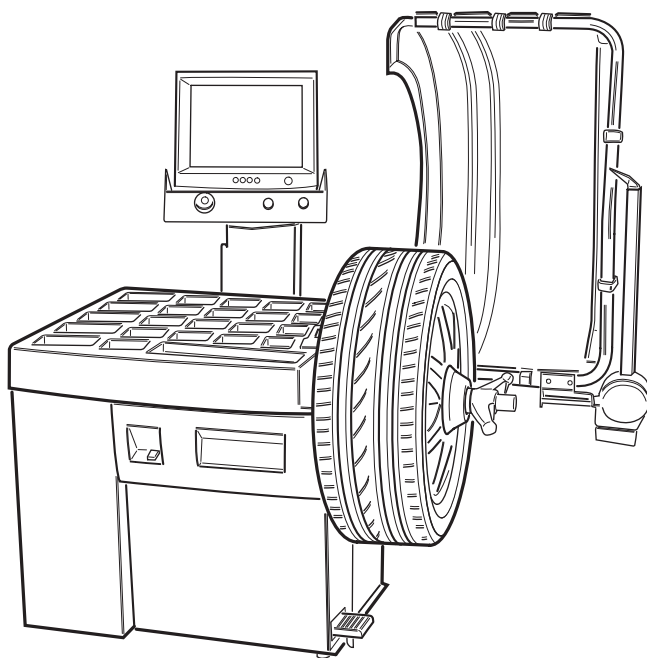


Questo libretto non autorizza l'utente ad intervenire sulle macchine ad esclusione di quanto esplicitamente descritto nel Manuale d'uso, ma consente all'utente di fornire informazioni precise all'Assistenza tecnica, al fine di ridurre i tempi di intervento.

EM8570 ROM

The "Spare parts" booklet does not authorize the user to carry out work on the machine unless expressly specified in the instruction manual, but does enable him to provide accurate information to the assistance service in order to reduce downtime.

PEZZI DI RICAMBIO SPARE PARTS LIST ERSATZTEILLISTE PIECES DE RECHANGE



Versione

1.1

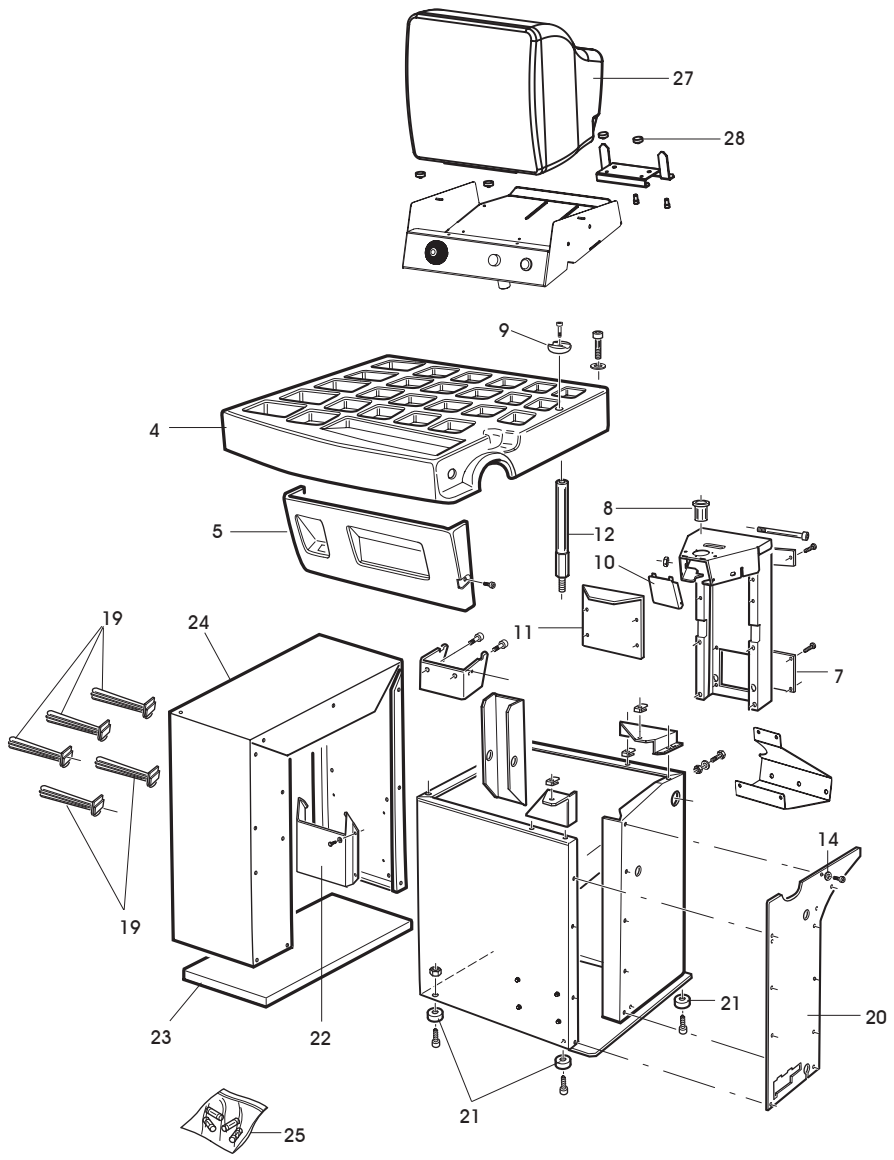
In produzione da
Production from
Herstellung ab
Production

07 / 2005

Der Katalog Ersatzteile stellt keine Genehmigung zu eigenmächtigen Eingriffen dar (mit Ausnahme jener im Handbuch beschriebenen), sondern er soll den Anwender in die Lage versetzen, dem technischen Service präzise Informationen zu liefern, um die Reparaturzeiten zu verkürzen.

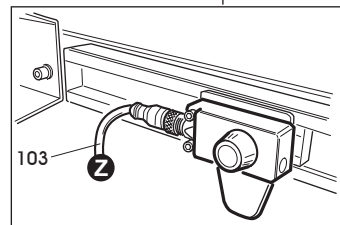
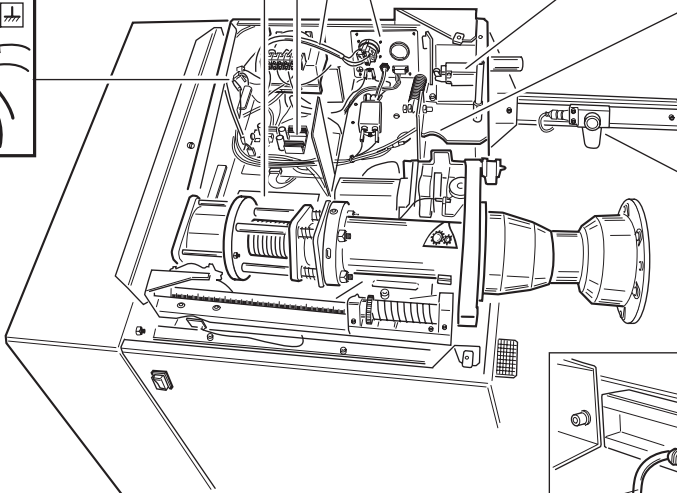
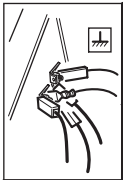
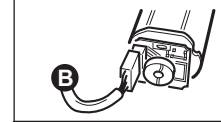
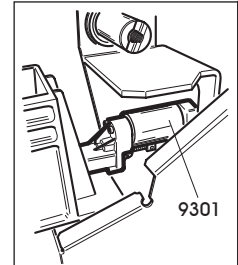
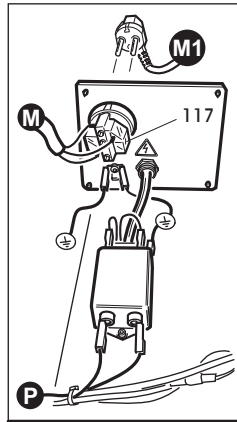
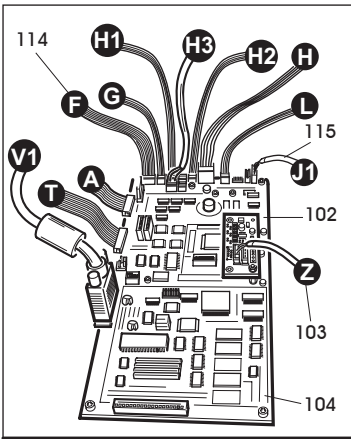
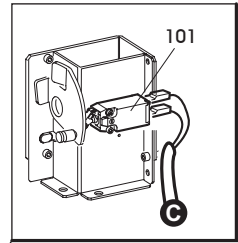
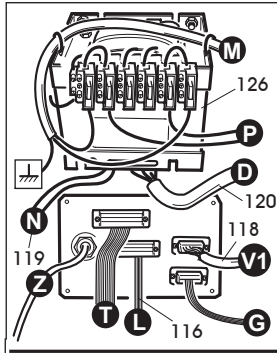
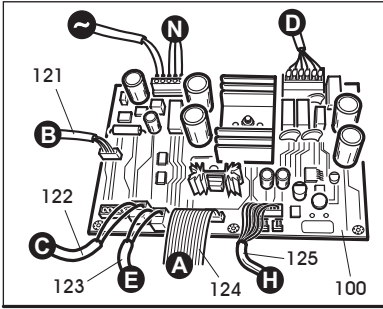


Le livret "Pièces de rechange", n'autorise pas l'utilisateur à intervenir sur les machines, sauf pour tout ce qui est clairement décrit dans le manuel d'utilisation, mais lui permet de fournir des informations précises à l'assistance technique, afin de diminuer les délais d'intervention.



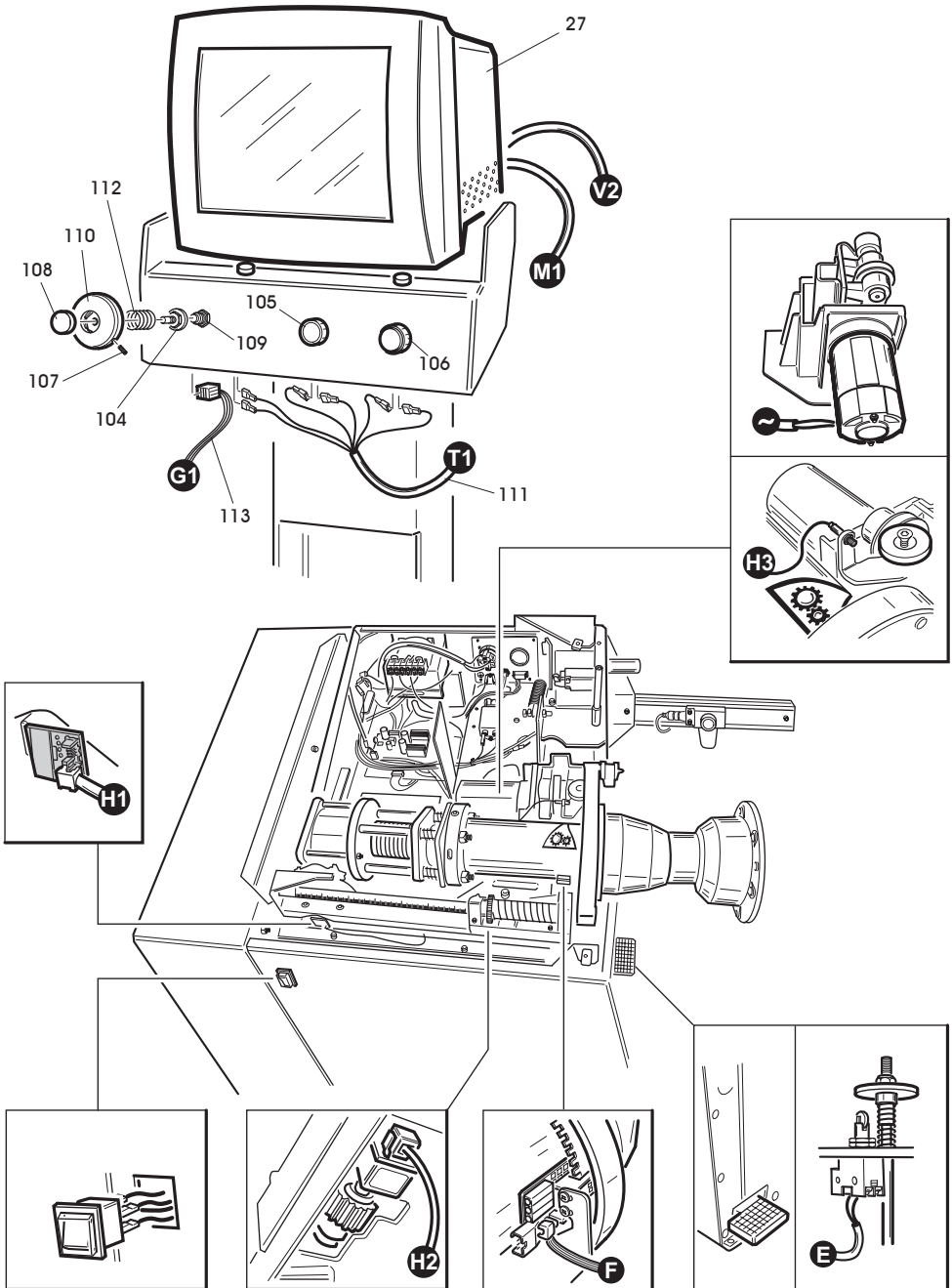
	EM8570	Fig. A	07 / 05	Cassone + Testata + Portapesi
--	--------	--------	---------	-------------------------------


0004	9004-102895	COPERCHIO	LID	DECKEL	COUVERCLE
0005	9004-102926	COFANO	HOOD	HAUBE	COFFRE
0007	900353984	PANNELLO	PANEL	VERKLEIDUNG	PANNEAU
0008	900433663	BOCCOLA	BUSHING	LAGER	DOUILLE
0009	900336581	INCUDINE	ANVIL	AMBOSS	ENCLUME
0010	900360518	PANNELLO	PANEL	VERKLEIDUNG	PANNEAU
0011	900360069	CARTER	CASING	GEHAUSE	CARTER
0012	9004-102899	SUPPORTO	SUPPORT	LAGER	SUPPORT
0014	900453504	RONDELLA	WASHER	UNTERLEGSCHIEBE	RONDELLE
0019	900438319	SUPPORTO	SUPPORT	LAGER	SUPPORT
0020	9004-101926	COFANO	HOOD	HAUBE	COFFRE
0021	900360368	PIEDE	FOOT	FUSS	PIED
0022	900355994	CONENITORE	CONTAINER	BEHAELTER	CONTENEUR
0023	900360345	RINFORZO	REINFORCEMENT	VERSTAERKUNG	RENFORT
0024	900360047	MOBILE	CABINET	SCHRANK	MEUBLE
0025	950232942	FUSIBILE 3,15 T	FUSE 3,15 T	SICHERUNG 3,15 T	FUSIBLE 3,15 T
0025	950229690	FUSIBILE 0,5A	FUSE 0,5A	SICHERUNG 0,5A	FUSIBLE 0,5A
0025	900236665	FUSIBILE 5A T	FUSE 5A T	SICHERUNG 5A T	FUSIBLE 5A T
0025	900241582	FUSIBILE 0,5A T	FUSE 0,5A T	SICHERUNG 0,5A T	FUSIBLE 0,5A T
0026	9004-100033	STAFFA	BRACKET	KLAUE	ETRIER
0027	900456816	MONITOR 17"	MONITOR	MONITOR	MONITOR
0028	900462193	PIEDE	FOOT	FUSS	PIED



	EM8570	Fig. B1	07 / 05	Impianto elettrico
--	---------------	----------------	----------------	---------------------------

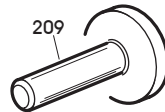
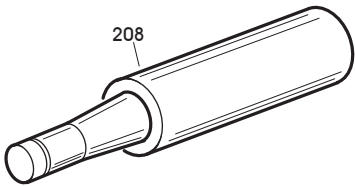
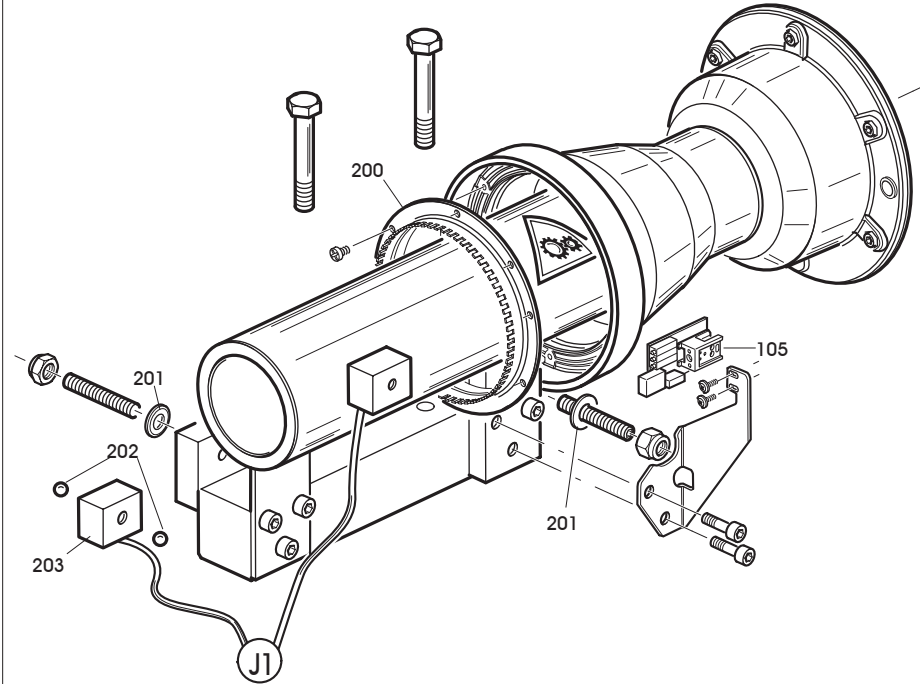
0027	900456816	MONITOR 17"	MONITOR	MONITOR	MONITOR
0100	9004-103608	PWM	PWM	PWM	PWM
0101	9004-102252	SK CPU	P.C. BOARD	ELEKTR. PLATINE	FICHE ELECTR.
0102	9004-103804	SK. INT. SONAR	P.C. BOARD	ELEKTR. PLATINE	FICHE ELECTR.
0103	9005-101291	CAVO SONAR	CABLE	KABEL	CABLE
0104	900248812	ENCODER	ENCODER	ENCODER	ENCODER
0105	900256213	PULSANTE START	START	START	START
0106	9005-100313	PULSANTE STOP	STOP	STOP	STOP
0107	900600854	VITE	SCREW	SCHRAUBE	VIS
0108	900435315	TAPPO	PLUG	STOPFEN	BOUCHON
0109	900453434	MICROINTERRUTTORE	MICROSWITCH	MIKROSCHALTER	MICROINTERRUPTEUR
0110	900353474	ATTUATORE KIS	ACTUATOR	DREHTRIEB	ACTUATEUR
0111	900453778	CAVO COLL.TO	CABLE	KABEL	CABLE
0112	900453968	MOLLA	MOLLA	SPRING	FEDER RESSORT
0113	900454238	FLAT KIS	FLAT CABLE	FLACHER KABEL	CABLE FLAT
0114	900454754	CAVO	CABLE	KABEL	CABLE
0115	900253697	CAVO	CABLE	KABEL	CABLE
0116	900453698	CAVO	CABLE	KABEL	CABLE
0117	900453965	PRESA	PLUG	STECKDOSE	PRISE
0118	900253962	CAVO	CABLE	KABEL	CABLE
0119	900453702	CAVO	CABLE	KABEL	CABLE
0120	9004-101841	CAVO	CABLE	KABEL	CABLE
0121	9004-101759	CAVO	CABLE	KABEL	CABLE
0122	9004-101674	CAVO	CABLE	KABEL	CABLE
0123	9004-101677	CAVO	CABLE	KABEL	CABLE
0124	9004-101838	CAVO	CABLE	KABEL	CABLE
0125	9004-103199	CAVO	CABLE	KABEL	CABLE
0126	9004-102939	TRASFORMATORE	TRANSFORMER	TRANSFORMATOR	TRANSFORMATEUR
0127	900457753	MICROINTERRUTTORE	MICROSWITCH	MIKROSCHALTER	MICROINTERRUPTEUR
9301	9005-100411	ATTUATORE	ACTUATOR	DREHTRIEB	ACTUATEUR



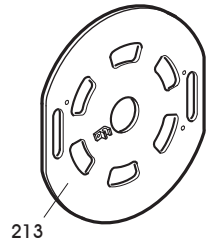
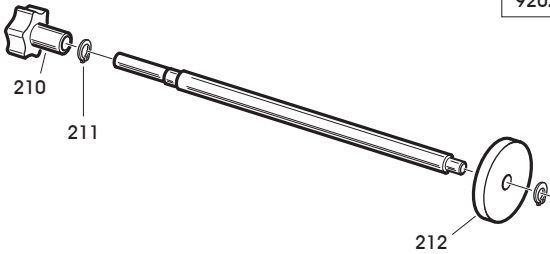
	EM8570	Fig. B2	07 / 05	Impianto elettrico
--	---------------	----------------	----------------	---------------------------


0027	900456816	MONITOR 17"	MONITOR	MONITOR	MONITOR
0100	9004-103608	PWM	PWM	PWM	PWM
0101	9004-102252	SK CPU	P.C. BOARD	ELEKTR. PLATINE	FICHE ELECTR.
0102	9004-103804	SK. INT. SONAR	P.C. BOARD	ELEKTR. PLATINE	FICHE ELECTR.
0103	9005-101291	CAVO SONAR	CABLE	KABEL	CABLE
0104	900248812	ENCODER	ENCODER	ENCODER	ENCODER
0105	900256213	PULSANTE START	START	START	START
0106	9005-100313	PULSANTE STOP	STOP	STOP	STOP
0107	900600854	VITE	SCREW	SCHRAUBE	VIS
0108	900435315	TAPPO	PLUG	STOPFEN	BOUCHON
0109	900453434	MICROINTERRUTTORE	MICROSWITCH	MIKROSCHALTER	MICROINTERRUPTEUR
0110	900353474	ATTUATORE KIS	ACTUATOR	DREHTRIEB	ACTUATEUR
0111	900453778	CAVO COLL.TO	CABLE	KABEL	CABLE
0112	900453968	MOLLA	MOLLA	SPRING	FEDER RESSORT
0113	900454238	FLAT KIS	FLAT CABLE	FLACHER KABEL	CABLE FLAT
0114	900454754	CAVO	CABLE	KABEL	CABLE
0115	900253697	CAVO	CABLE	KABEL	CABLE
0116	900453698	CAVO	CABLE	KABEL	CABLE
0117	900453965	PRESA	PLUG	STECKDOSE	PRISE
0118	900253962	CAVO	CABLE	KABEL	CABLE
0119	900453702	CAVO	CABLE	KABEL	CABLE
0120	9004-101841	CAVO	CABLE	KABEL	CABLE
0121	9004-101759	CAVO	CABLE	KABEL	CABLE
0122	9004-101674	CAVO	CABLE	KABEL	CABLE
0123	9004-101677	CAVO	CABLE	KABEL	CABLE
0124	9004-101838	CAVO	CABLE	KABEL	CABLE
0125	9004-103199	CAVO	CABLE	KABEL	CABLE
0126	9004-102939	TRASFORMATORE	TRANSFORMER	TRANSFORMATOR	TRANSFORMATEUR
0127	900457753	MICROINTERRUTTORE	MICROSWITCH	MIKROSCHALTER	MICROINTERRUPTEUR
9301	9005-100411	ATTUATORE	ACTUATOR	DREHTRIEB	ACTUATEUR

9201



9202

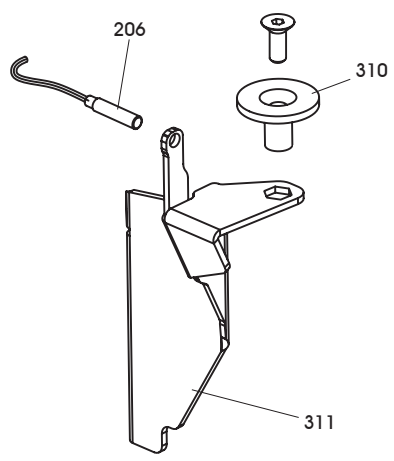
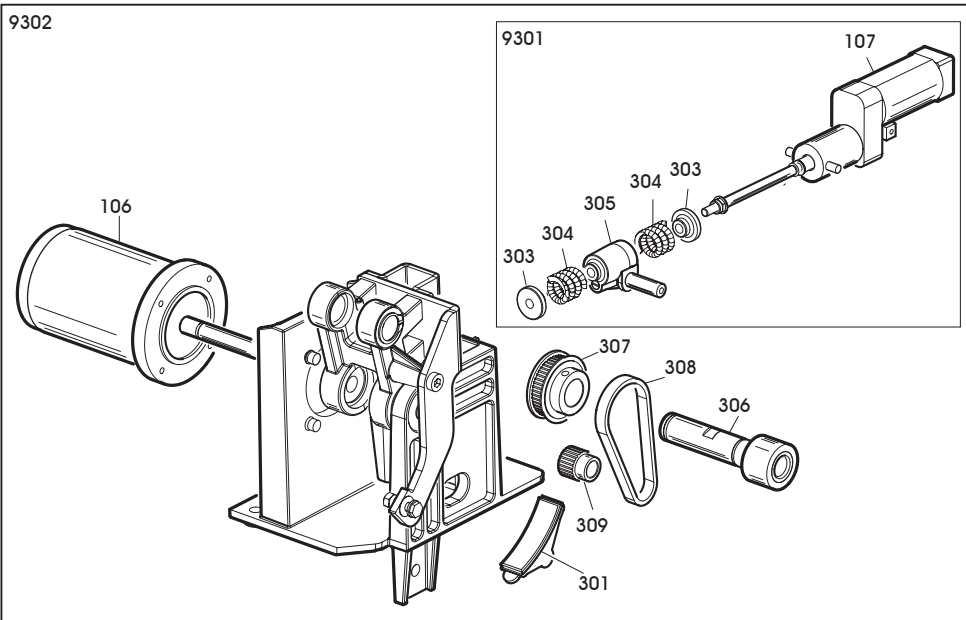


	EM8570	Fig. C	07 / 05	Gruppo oscillante
--	---------------	---------------	----------------	--------------------------

9201	9005-100325	GRUPPO	ASSEMBLY	GRUPPE	GROUPE
0200	900449310	DISCO	DISK	SCHEIBE	DISQUE
0105	900249280	SCHEDA ELETTRONICA	P.C. BOARD	ELEKTR. PLATINE	FICHE ELECTR.
0201	900424993	MOLLA	SPRING	FEDER	RESSORT
0202	900600243	SFERA	BALL	KUGEL	BILLE
0203	900243591	PICK-UP	PICK-UP	PICK-UP	PICK-UP
0208	900222099	MOZZO	HUB	NABE	MOYEU
0209	900222101	VITE	SCREW	SCHRAUBE	VIS

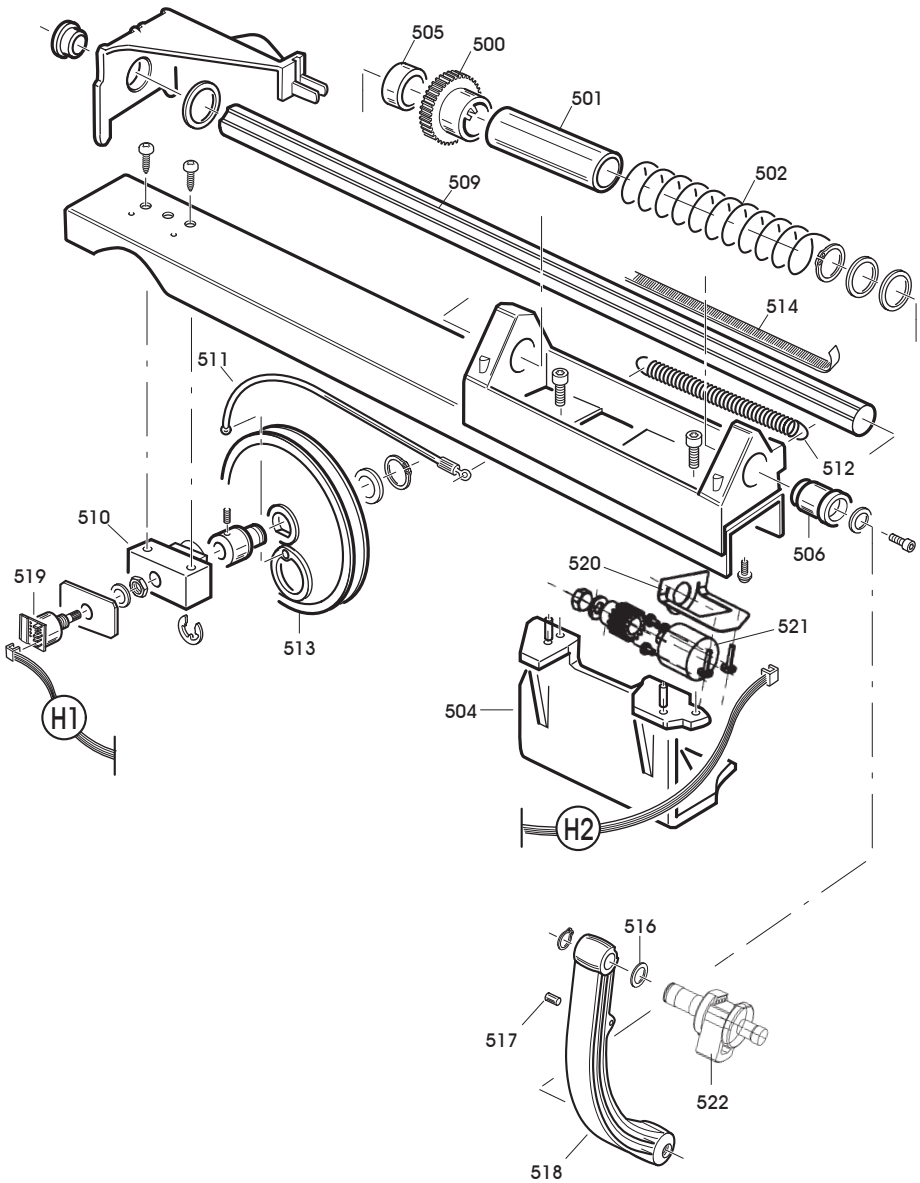
9202	900259719	CONTRAPPESO	COUNTERWEIGHT	GEGENGEWICHT	CONTREPOIDS
0210	900459932	MANOPOLA	KNOB	BALLENGRIFF	BOUTON
0211	900600021	ANELLO	RING	RING	ANNEAU
0212	900449334	ANELLO	RING	RING	ANNEAU

0213	9005-100026	DISCO	DISK	SCHEIBE	DISQUE
------	-------------	-------	------	---------	--------



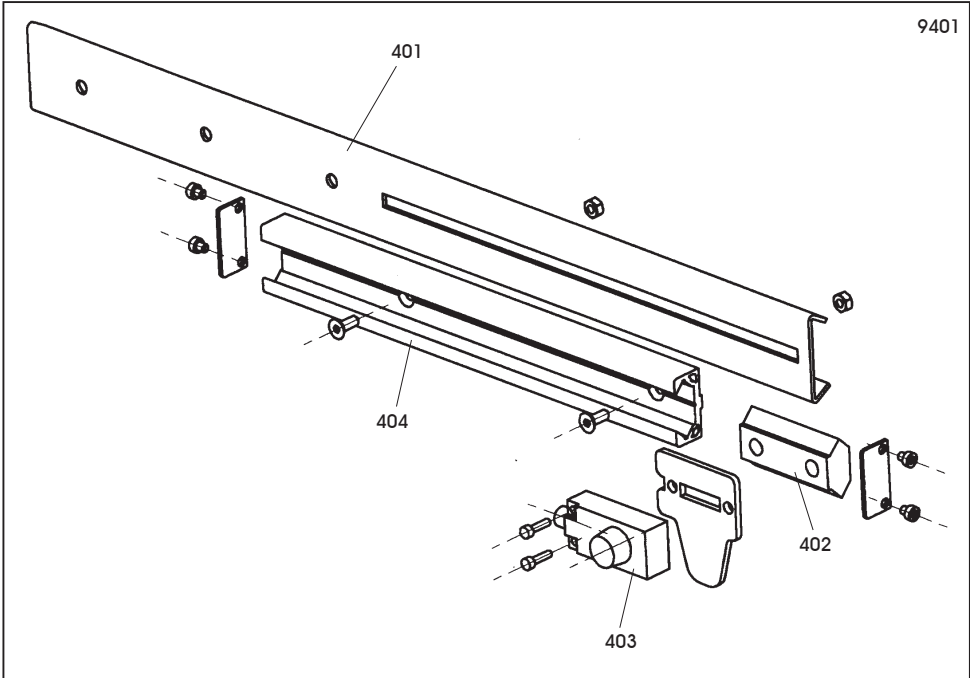
	EM8570	Fig. D	07 / 05	Dispositivo di lancio
--	---------------	---------------	----------------	------------------------------

9302	9005-100405	GRUPPO	ASSEMBLY	GRUPPE	GROUPE
0106	9004-101216	MOTORE	MOTOR	MOTOR	MOTEUR
0301	9004-102639	PATTINO	PAD	GLEITSTCHUH	PATIN
9301	9005-100411	ATTUATORE	ACTUATOR	DREHTRIEB	ACTUATEUR
0107	9004-101223	ATTUATORE	ACTUATOR	DREHTRIEB	ACTUATEUR
0303	9004-101224	BOCCOLA	BUSHING	LAGER	DOUILLE
0304	9004-101226	MOLLA	SPRING	FEDER	RESSORT
0305	9004-101225	BLOCCHETTO	BLOCK	BLOCK	BLOC
0306	9004-101220	RULLO	ROLLER	WALZE	ROULEAU
0307	9004-101214	PULEGGIA	PULLEY	RIEMENSCHIEBE	POULIE
0308	9003-01328	CINGHIA	BELT	RIEMEN	COURROIE
0309	9004-101213	PULEGGIA	PULLEY	RIEMENSCHIEBE	POULIE
0206	9004-102905	INTERRUTTORE	SWITCH	SCHALTER	INTERRUPTEUR
0310	9004-103760	DISCO	DISK	SCHEIBE	DISQUE
0311	9004-103767	STAFFA	BRACKET	KLAUE	ETRIER

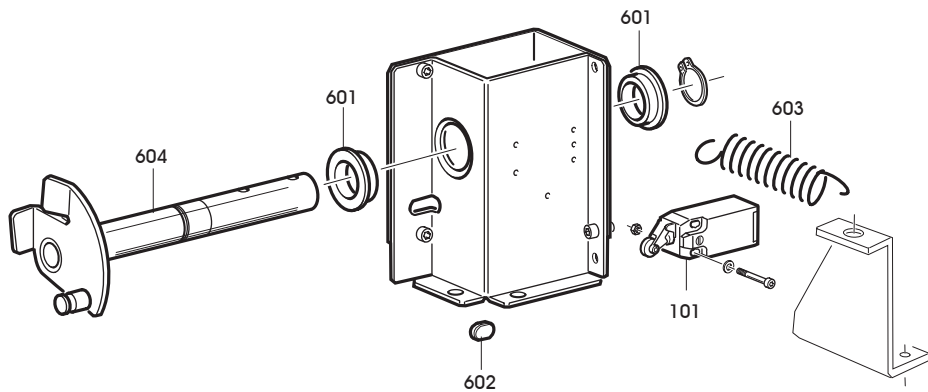


	EM8570	Fig. E	07 / 05	Gruppo rilevatore
--	---------------	---------------	----------------	--------------------------

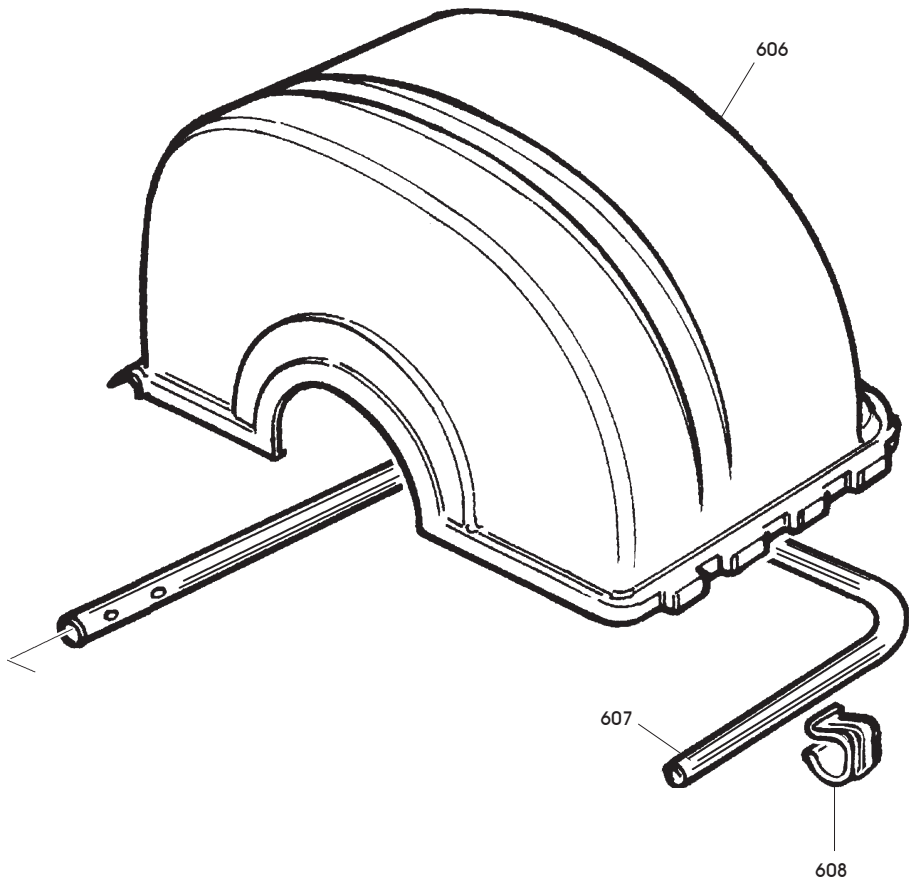
0500	90035024229	INGRANAGGIO	GEAR	ZAHNRADGETRIEBE	ENGRENAGE
0501	9004-102889	DISTANZIALE	SPACER	ABSTANDSSTUECK	ENTRETOISE
0502	9004-102886	MOLLA	SPRING	FEDER	RESSORT
0503	90033021118	VITE	SCREW	SCHRAUBE	VIS
0504	9004-102726	SUPPORTO	SUPPORT	LAGER	SUPPORT
0505	900439461	BOCCOLA	BUSHING	LAGER	DOUILLE
0506	9004-102731	BOCCOLA	BUSHING	LAGER	DOUILLE
0507	35020979	PIGNONE	PINION	RITZEL	PIGNON
0509	900357405	ASTA	SHAFT	STANGE	BARRE
0510	900457404	SUPPORTO	SUPPORT	LAGER	SUPPORT
0511	900457130	FUNE	CABLE	SEIL	CABLE CABLE
0512	9004-102888	MOLLA	SPRING	FEDER	RESSORT
0513	900257481	PULEGGIA	PULLEY	REIMENSCHHEIBE	POULIE
0514	900439488	TARGHETTA	DATA PLATE	TYPENSCHILD	PLAQUETTE
0516	900450073	ANELLO	RING	RITZEL	PIGNON
0517	9004-102903	MAGNETE	MAGNET	MAGNET	AIMANT
0518	9004-102618	BRACCIO	ARM	ARM	BRAS
0519	9004-104010	SK. ENCODER	ENCODER	CODIERER	ENCODER
0520	9004-104058	BALESTRA	LEAF SPRING	BLATTFEDER	RESSORT A LAMES
0521	9004-105054	ENCODER	ENCODER	CODIERER	ENCODER
0522	9005-101342	TERMINALE	TERMINAL	ENDVERSCHLUSS	COSSE



9401	9005-101183	GRUP. RILEVATORE	SIGNAL TR. ASS.	AUFNEHMER GRUPPE	GRUPE MESUREUR
0401	9004-103632	LAMIERA	METAL SHEET	BLECH	TOLE
0402	9004-104055	PATTINO	PAD	GLEITSTCHUH	PATIN
0403	9004-104053	SENSORE	SENSOR	SONDE	CAPTEUR
0404	9004-103631	TRAFILATO	DRAWN	GEZOGEN	TREFILE

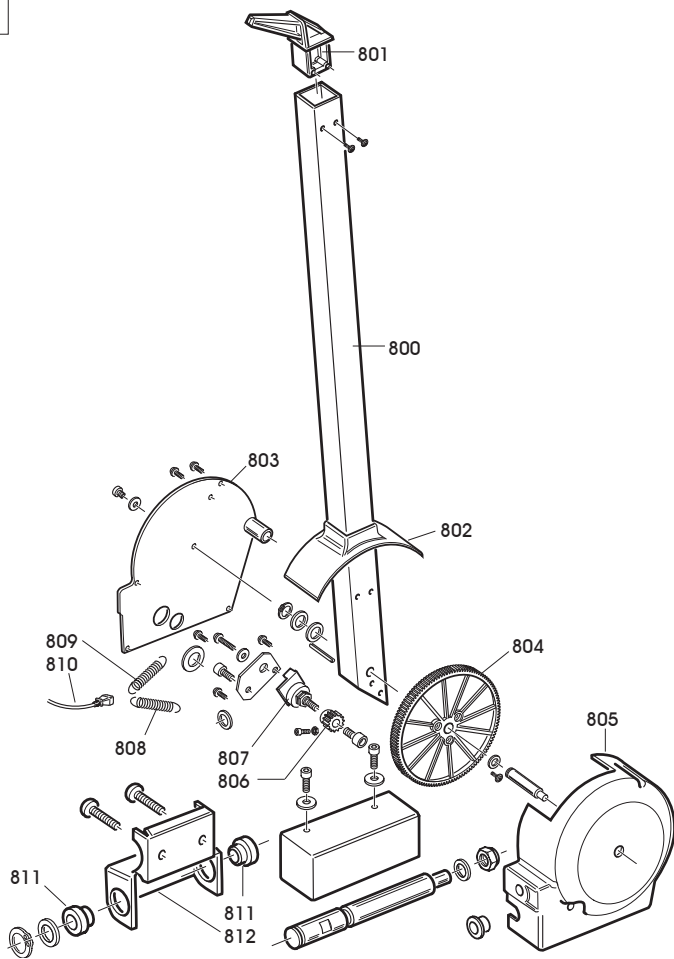


0101	900457753	MICROINTERRUTT.	MICROSWITCH	MIKROSCHALTER	MICROINTERRUPTEUR
0601	900433637	BOCCOLA	BUSHING	LAGER	DOUILLE
0602	900413163	TASSELLO	BLOCK	EINSATZSTUECK	TAMPON
0603	900449270	MOLLA	SPRING	FEDER	RESSORT
0604	900253453	FERMO	RETAINER	ANSCHLAG	ARRET

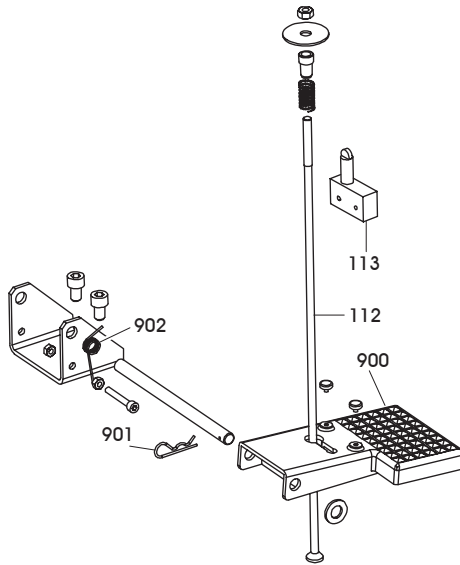


0606	9004-102948	PROTEZIONE	SHIELD	ABDECKUNG	PROTECTION
0607	900349272	TUBO	PIPE	ROHR	TUYAU
0608	900449273	MOLLA	SPRING	FEDER	RESSORT

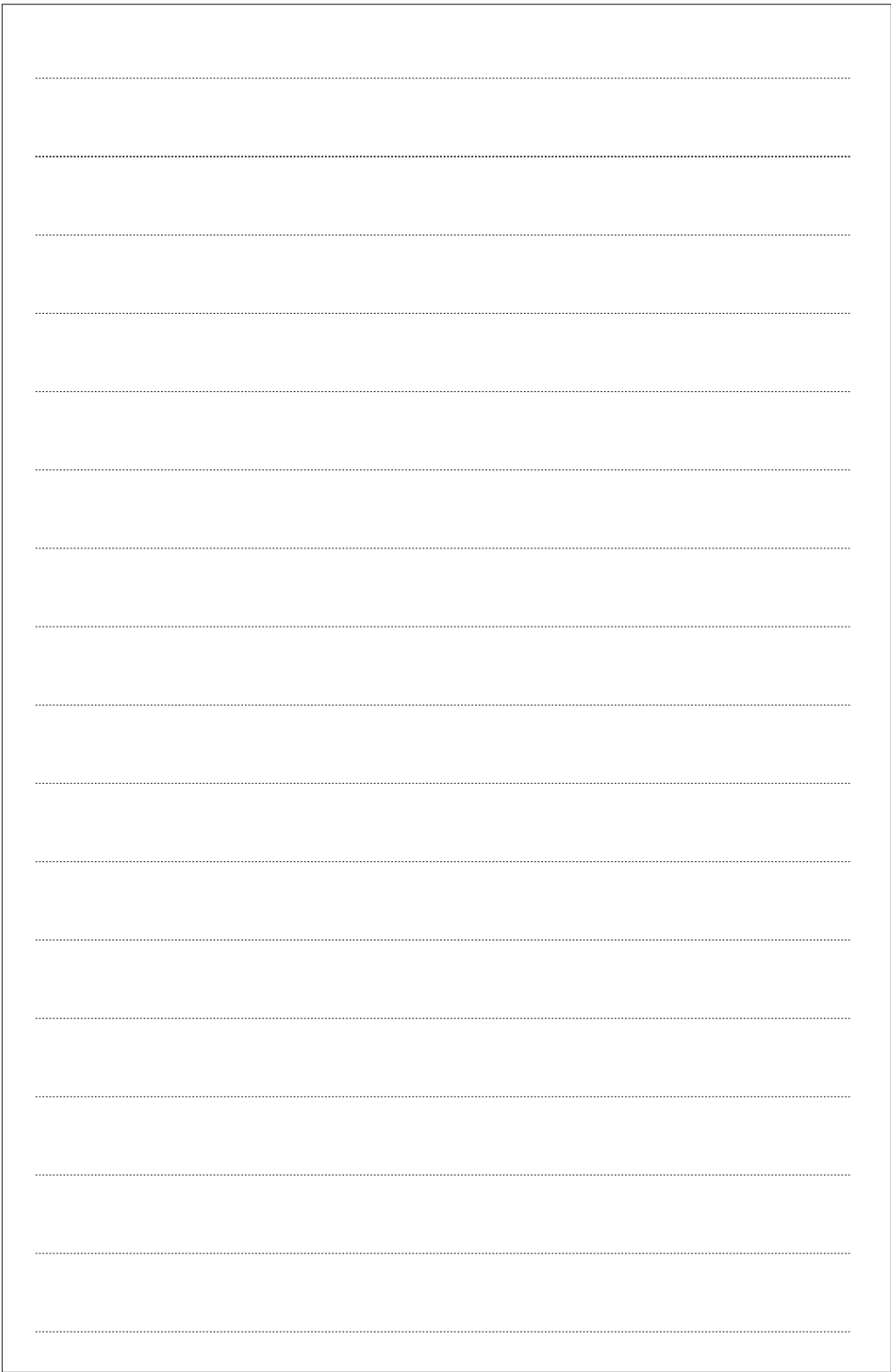
9801



9801	900253426	RILEVATORE	SIGNAL TRACER	AUFNEHMER	MESUREUR
800	900353559	BRACCIO	ARM	ARM	BRAS
801	900453572	TASTATORE	FEELER PIN	FUEHLER	PALPEUR
802	900454458	PROTEZIONE	SHIELD	ABDECKUNG	PROTECTION
803	900353578	COPERCHIO	LID	DECKEL	COUVERCLE
804	900453579	INGRANAGGIO	GEAR	ZAHNRADGETRIEBE	ENGRENAGE
805	900454457	CORPO	BODY	KOERPER	CORPS
806	900449326	PIGNONE	PINION α	RITZEL	PIGNON
807	900248387	POTENZIOMETRO	POTENZIOMETER	POTENTIOMETER	POTENTIOMETRE
808	900455120	MOLLA	SPRING	FEDER	RESSORT
809	900454239	MOLLA	SPRING	FEDER	RESSORT
810	900453493	CAVO FLAT	FLAT CABLE	FLACHER KABEL	CABLE FLAT
811	900460109	BOCCOLA	BUSHING	LAGER	DOUILLE
812	900353502	SUPPORTO 37"	SUPPORT 37"	LAGER 37"	SUPPORT 37"
812	900360940	SUPPORTO 44"	SUPPORT 44"	LAGER 44"	SUPPORT 44"



0112	900453492	TIRANTE	STAY ROD	ZUGSTANGE	TIRANT
0113	900453113	MICROINTERRUTTORE	MICROSWITCH	MIKROSCHALTER	MICROINTERRUPTEUR
0900	900479233	PEDALE	PEDAL	PEDAL	PEDALE
0901	900435055	MOLLA	SPRING	FEDER	RESSORT
0902	900453495	MOLLA	SPRING	FEDER	RESSORT



Il disegno è realizzato con tutti i particolari ma solo quelli codificati sono forniti come ricambi. L'Azienda si riserva la facoltà di apportare modifiche senza preavviso.



Via per Carpi, n°9 - 42015 Correggio (RE) ITALY
Tel. ++39 0522 639111 - Fax ++39 0522 639150
www.corgi.com - info@corgi.com

The drawing shows all parts but only the coded parts are supplied as spares. The Company reserves the right to make modifications without prior notice.

UPT - Cod. 4-103937 - Rif. Pos. 901000398 - 09/05.