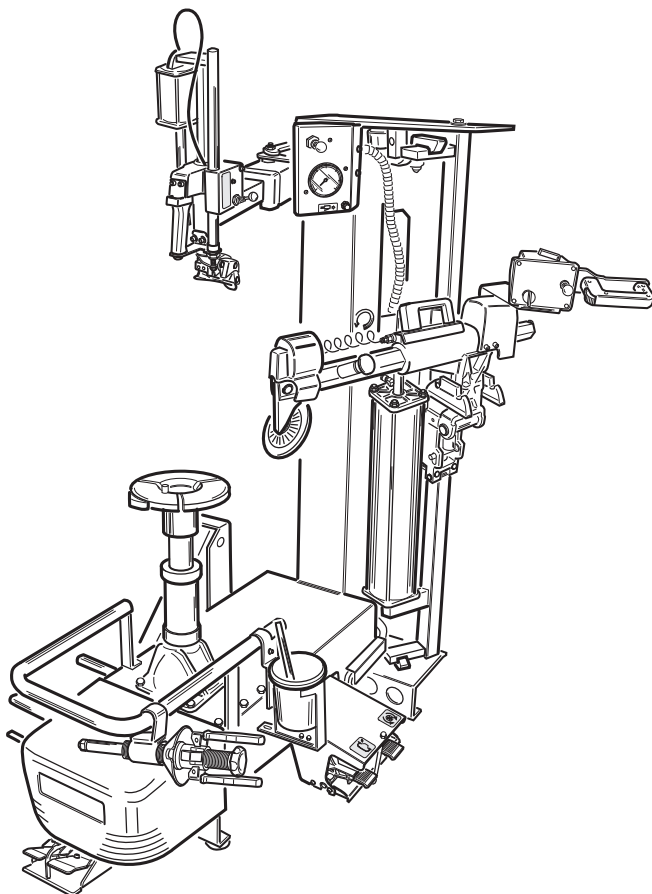


Questo libretto non autorizza l'utente ad intervenire sulle macchine ad esclusione di quanto esplicitamente descritto nel Manuale d'uso, ma consente all'utente di fornire informazioni precise all'Assistenza tecnica, al fine di ridurre i tempi di intervento.

Artiglio 50

The "Spare parts" booklet does not authorize the user to carry out work on the machine unless expressly specified in the instruction manual, but does enable him to provide accurate information to the assistance service in order to reduce downtime.

PEZZI DI RICAMBIO SPARE PARTS LIST ERSATZTEILLISTE PIECES DE RECHANGE



Code

4-104760B

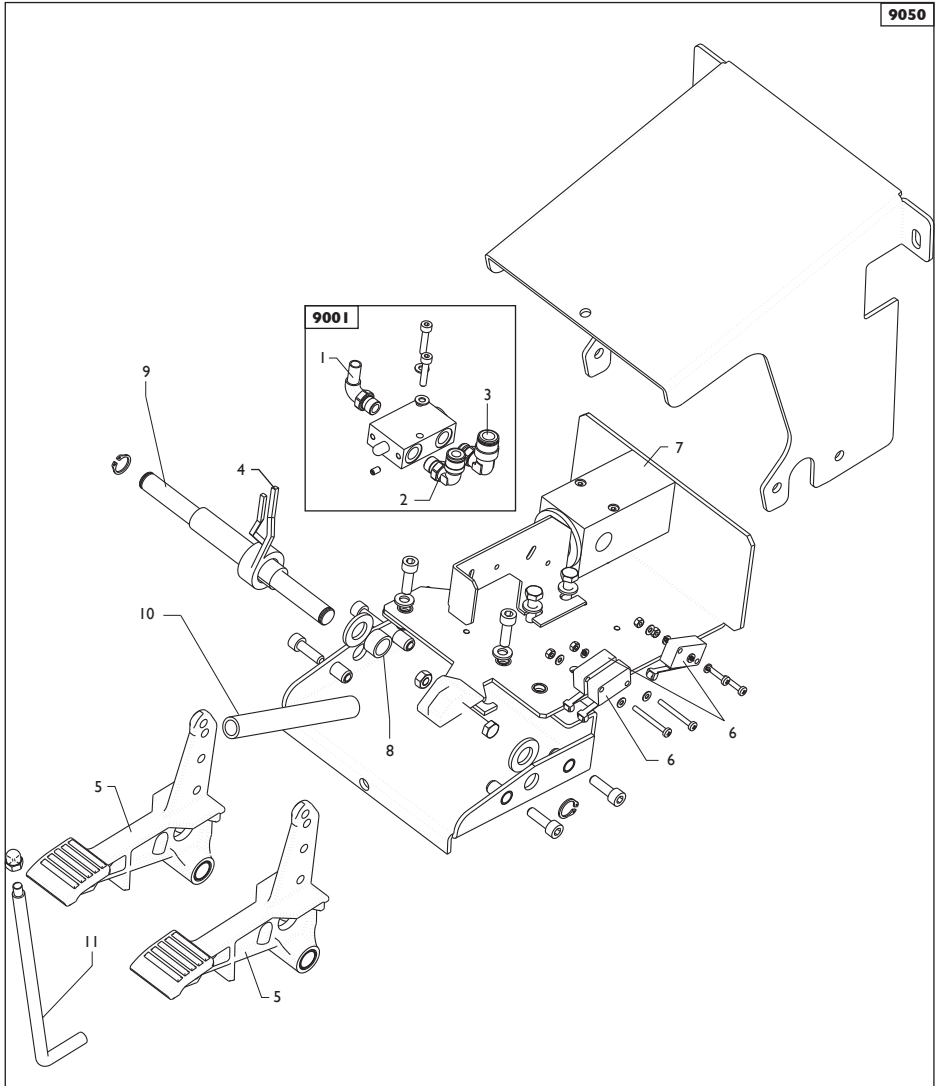
Production

10 / 07

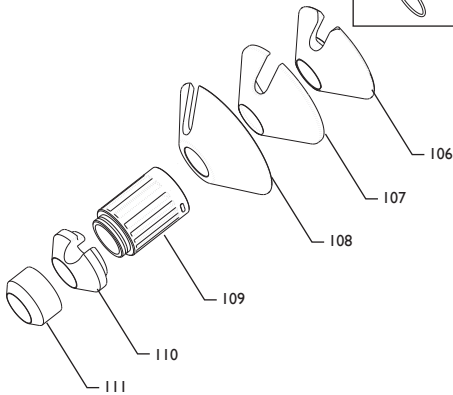
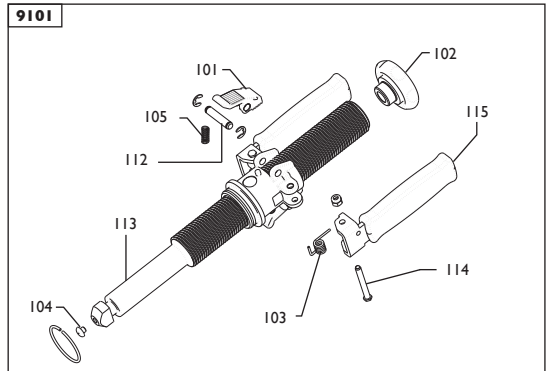
Der Katalog Ersatzteile stellt keine Genehmigung zu eigenmächtigen Eingriffen dar (mit Ausnahme jener im Handbuch beschriebenen), sondern er soll den Anwender in die Lage versetzen, dem technischen Service präzise Informationen zu liefern, um die Reparaturzeiten zu verkürzen.



Le livret "Pièces de rechange", n'autorise pas l'utilisateur à intervenir sur les machines, sauf pour tout ce qui est clairement décrit dans le manuel d'utilisation, mais lui permet de fournir des informations précises à l'assistance technique, afin de diminuer les délais d'intervention.

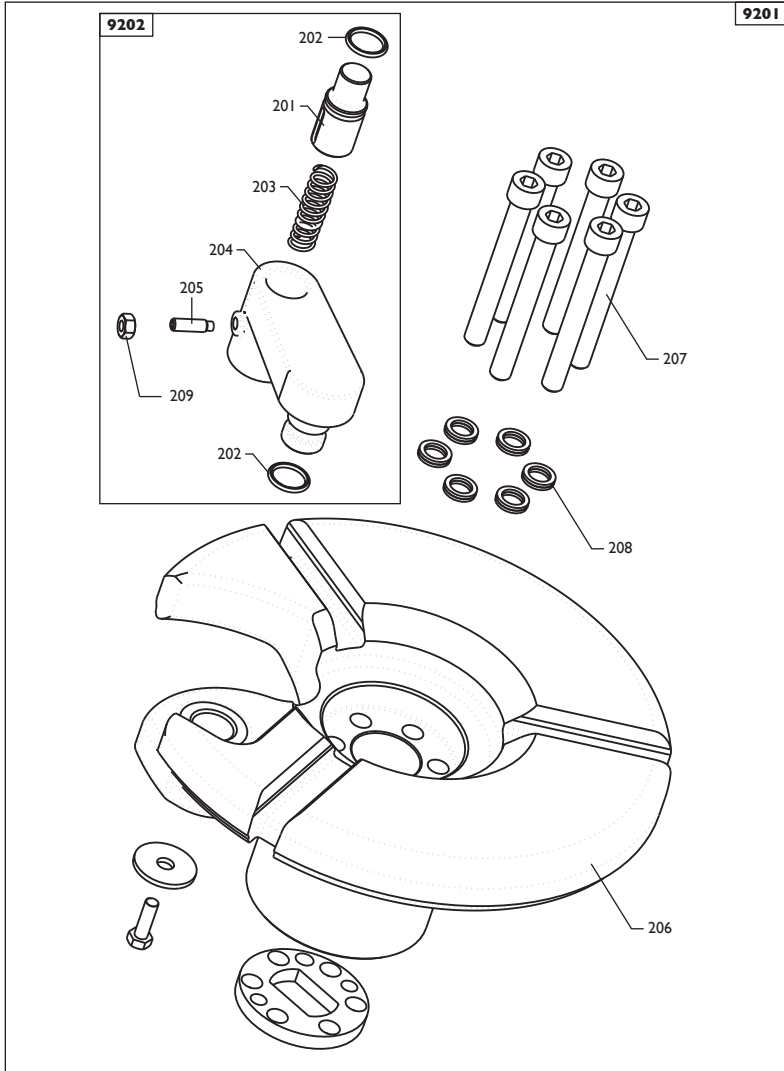


9050	5-101194	PEDALIERA CPL.	CONTROL PEDAL	PEDALERIE	GR.PEDALES
9001	5-100628	VALVOLA	VALVE	VENTIL	VANNE
0001	3-01176	RACCORDO	CONNECTOR	ANSCHLUSS	RACCORD
0002	3-00049	RACCORDO	CONNECTOR	ANSCHLUSS	RACCORD
0003	3-00218	RACCORDO	CONNECTOR	ANSCHLUSS	RACCORD
0004	428682	MOLLA	SPRING	FEDER	RESSORT
0005	900252010	PEDALE	PEDAL	PEDAL	PEDALE
0006	440874	MICROINTERRUT.	MICROSWITCH	MIKROSCHALTER	MICROINTERRUPTEUR
0007	3-00432	VALVOLA	VALVE	VENTIL	VANNE
0008	340313	DISTANZIALE	SPACER	ABSTANDSSTUECK	ENTRETOISE
0009	4-103656	PERNO	PIN	ZAPFEN	PIVOT
0010	410628	MOLLA	SPRING	FEDER	RESSORT
0011	361537	PERNO	PIN	ZAPFEN	PIVOT

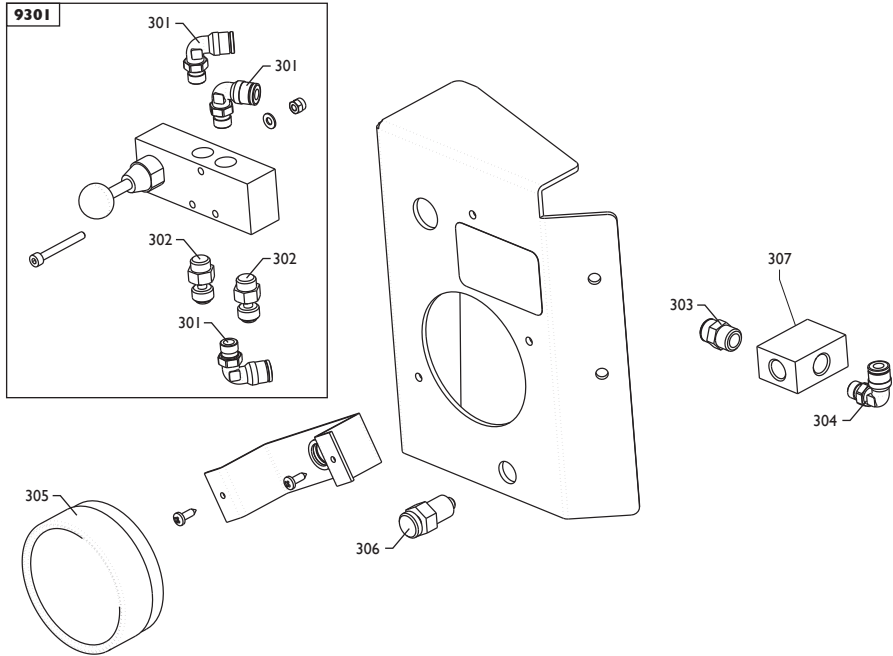


9101	5-101197	MANIGLIA	HANDLE	HANDGRIFF	POIGNEE
0101	4-104822	CRICCHETTO	CRICK	SPERRKLINKE	CLIQUET
0102	4-103669	MANOPOLA	KNOB	BALLENGRIFF	BOUTONE
0103	4-103673	MOLLA	SPRING	FEDER	RESSORT
0104	461560	PROTEZIONE	SHIELD	ABDECKUNG	PROTECTION
0105	4-103675	MOLLA	SPRING	FEDER	RESSORT
0112	4-104810	PERNO	PIN	ZAPFEN	PIVOT
0113	4-103668	BARRA	PIN	ZAPFEN	PIVOT
0114	4-104809	PERNO	PIN	ZAPFEN	PIVOT
0115	9005-101931	LEVA+MANIGLIA	LEVER	HEBEL	LEVIER

0106	4-103230	CONO ø120	CONE ø120	KEGEL ø120	CONE ø120
0107	4-103232	PROTEZIONE	SHIELD	ABDECKUNG	PROTECTION
0108	4-103229	CONO ø145	CONE ø145	KEGEL ø145	CONE ø145
0109	9005-101204	PROLUNGA	EXTENSION CORD	VERLAENGERUNG	RALLONGE
0110	4-103234	CONO ø75	CONE ø75	KEGEL ø75	CONE ø75
0111	4-103235	CONO ø58	CONE ø58	KEGEL ø58	CONE ø58

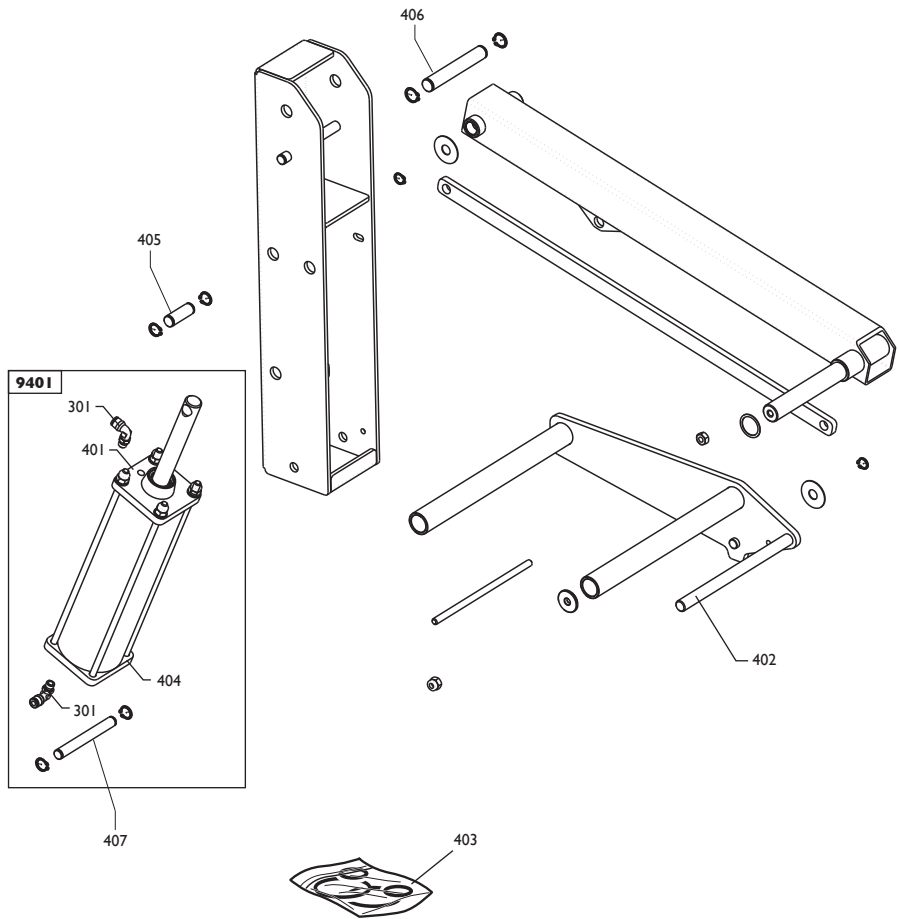


9201	9005-101199	AUTOCENT.	TURNTABLE	SPANNFUTTER	AUTOCENTRANT
0206	4-103152	CENTRAGGIO	SPIGOT	ZENTRIERUNG	CENTRAGE
0207	4-104811	VITE	SCREW	SCHRAUBE	VIS
0208	4-102752	RONDELLA	WASHER	UNTERLEGSCHIEBE	RONDELLE
9202	9005-101081	LEVA	LEVER	HEBEL	LEVIER
0201	4-102326	PERNO	PIN	ZAPFEN	PIVOT
0202	424630	ANELLO	RING	RING	ANNEAU
0203	4-102331	MOLLA	SPRING	FEDER	RESSORT
0204	4-103143	LEVA	LEVER	HEBEL	LEVIER
0205	2-02560	VITE	SCREW	SCHRAUBE	VIS
0209	2-00676	DADO	NUT	MUTTER	ECROU



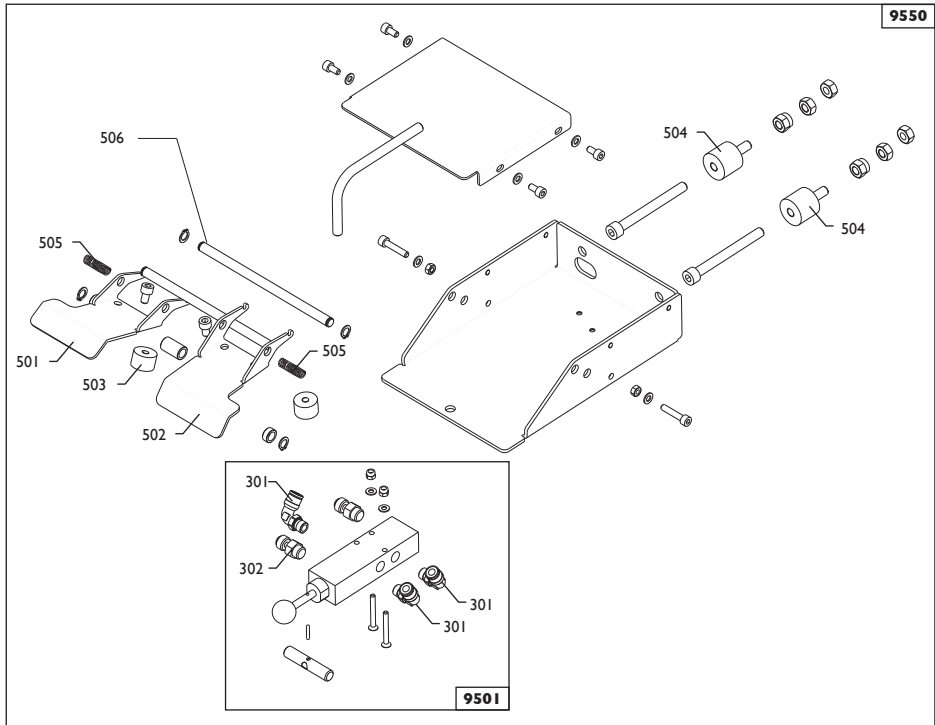
0303	3-00459	RACCORDO	CONNECTOR	ANSCHLUSS	RACCORD
0304	3-00055	RACCORDO	CONNECTOR	ANSCHLUSS	RACCORD
0305	3-00490	MANOMETRO	PRESSURE GAUGE	DRUCKMESSER	MANOMETRE
0306	235463	VALVOLA	VALVE	VENTIL	VANNE
0307	352586	BLOCCHETTO	BLOCK	BLOCK	BLOC

9301	9005-101210	VALVOLA	VALVE	VENTIL	VANNE
0301	3-00053	RACCORDO	CONNECTOR	ANSCHLUSS	RACCORD
0302	433675	REGOLATORE	REGULATOR	REGLER	REGULATEUR

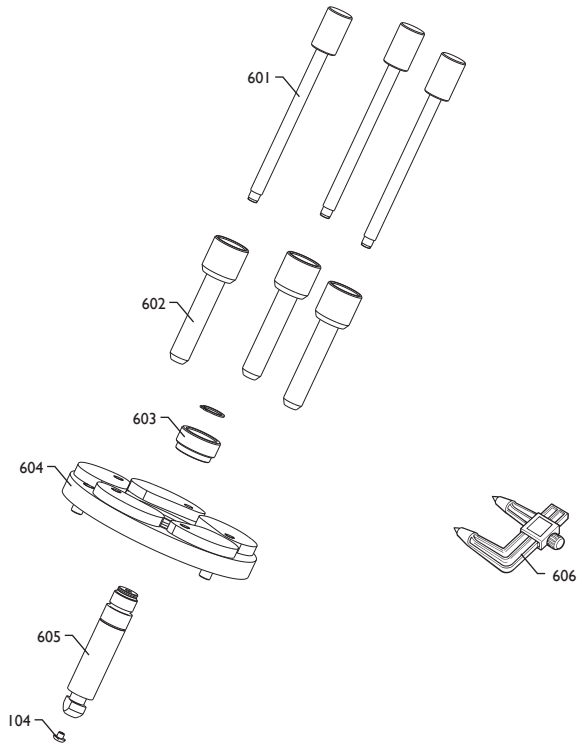


0402	4-103728	SUPPORTO	SUPPORT	LAGER	SUPPORT
0403	900262382	KIT GUARNIZIONI	SEALS KIT	DICHTUNGSATZ	KIT JOINTS
0405	4-103723	PERNO	PIN	ZAPFEN	PIVOT
0406	4-103725	PERNO	PIN	ZAPFEN	PIVOT
0407	4-103724	PERNO	PIN	ZAPFEN	PIVOT

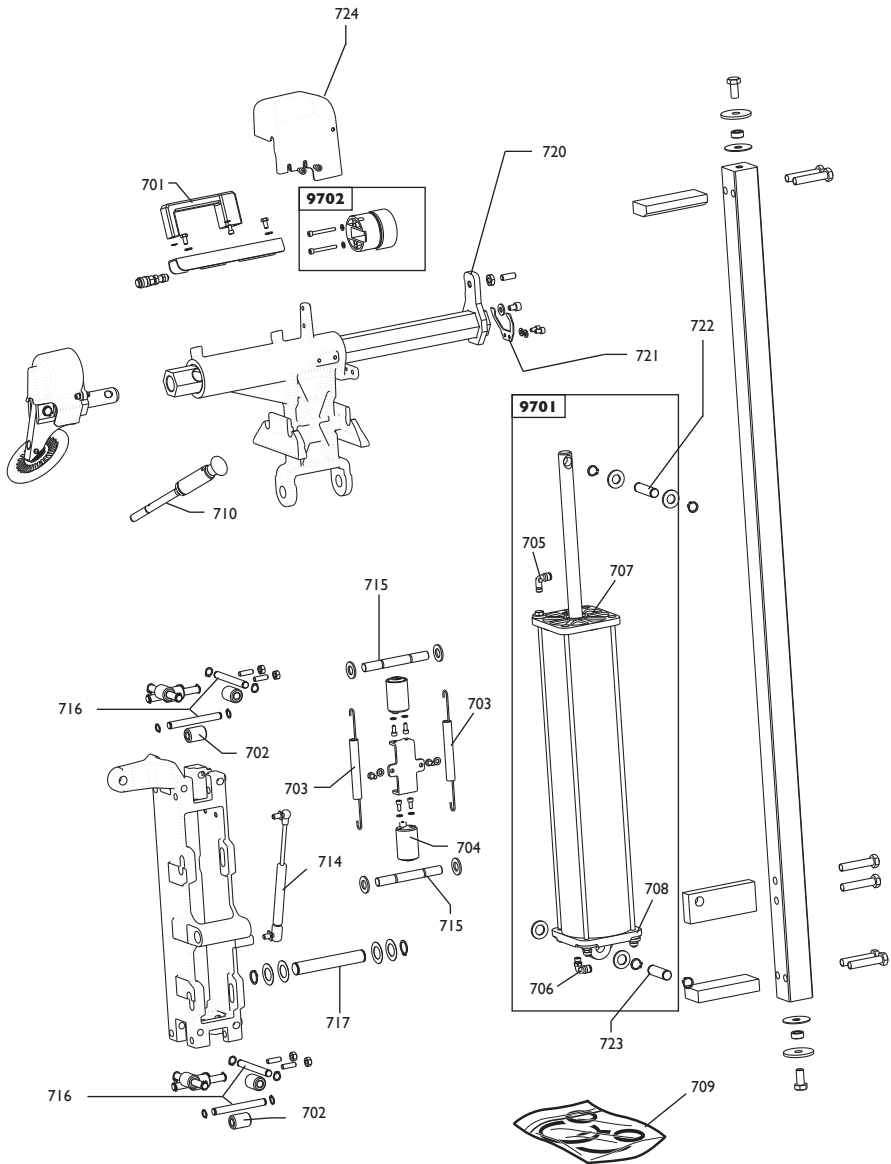
9401	5-101215	CILINDRO	CYLINDER	ZYLINDER	CYLINDRE
0301	3-00053	RACCORDO	CONNECTOR	ANSCHLUSS	RACCORD
0401	361519	FLANGIA	FLANGE	FLANSCH	FLASQUE
0404	361975	FLANGIA	FLANGE	FLANSCH	FLASQUE



9550	5-101213	PEDALIERA	PEDAL	PEDAL	PEDALIER
0501	4-104835	PEDALE SX	PEDAL SX	PEDAL SX	PEDALE SX
0502	4-104836	PEDALE DX	PEDAL DX	PEDAL DX	PEDALE DX
0503	441675	ANTIVIBRANTE	VIBRATION DAMPER	SCHWINGUNGSDAE.	ANTI-VIBRATION
0504	4-104848	ANTIVIBRANTE	VIBRATION DAMPER	SCHWINGUNGSDAE.	ANTI-VIBRATION
0505	4-104551	MOLLA	SPRING	FEDER	RESSORT
0506	4-103742	PERNO	PIN	ZAPFEN	PIVOT
9501	5-101214	VALVOLA	VALVE	VENTIL	VANNE
0301	3-00053	RACCORDO	CONNECTOR	ANSCHLUSS	RACCORD
0302	433675	REGOLATORE	REGULATOR	REGLER	REGULATEUR



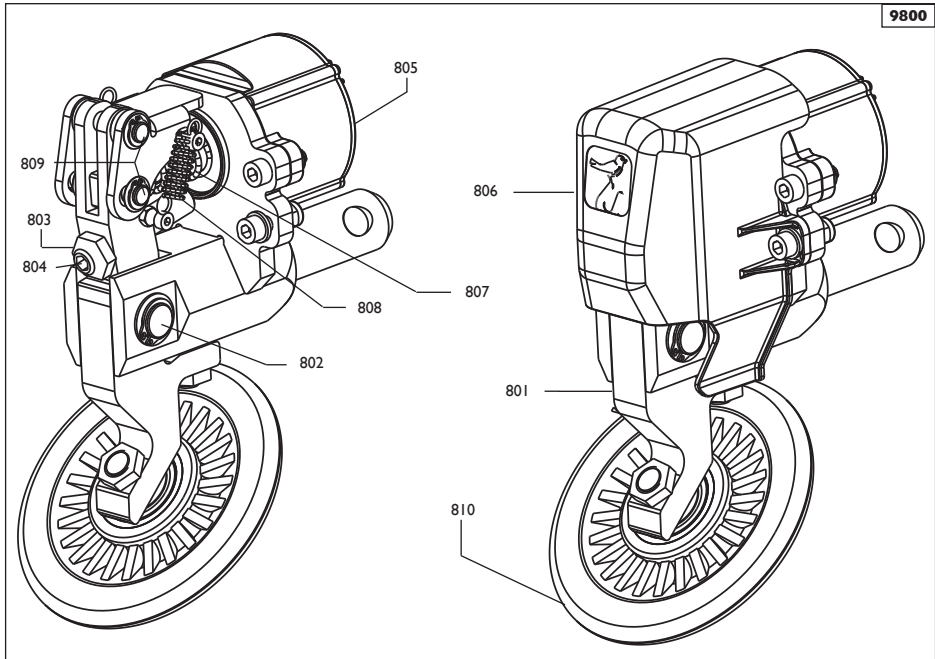
0104	461560	PROTEZIONE	SHIELD	ABDECKUNG	PROTECTION
0601	361647	VITE	SCREW	SCHRAUBE	VIS
0602	361648	GHIERA	NUT	NUTMUTTER	BAGUE
0603	4-103766	GHIERA	NUT	NUTMUTTER	BAGUE
0604	463082	FLANGIA	FLANGE	FLANSCH	FLASQUE
0605	4-103765	BARRA	BAR	STANGE	BARRE
0606	441286	RILEVATORE	SIGNAL TRACER	AUFNEHMER	MESUREUR



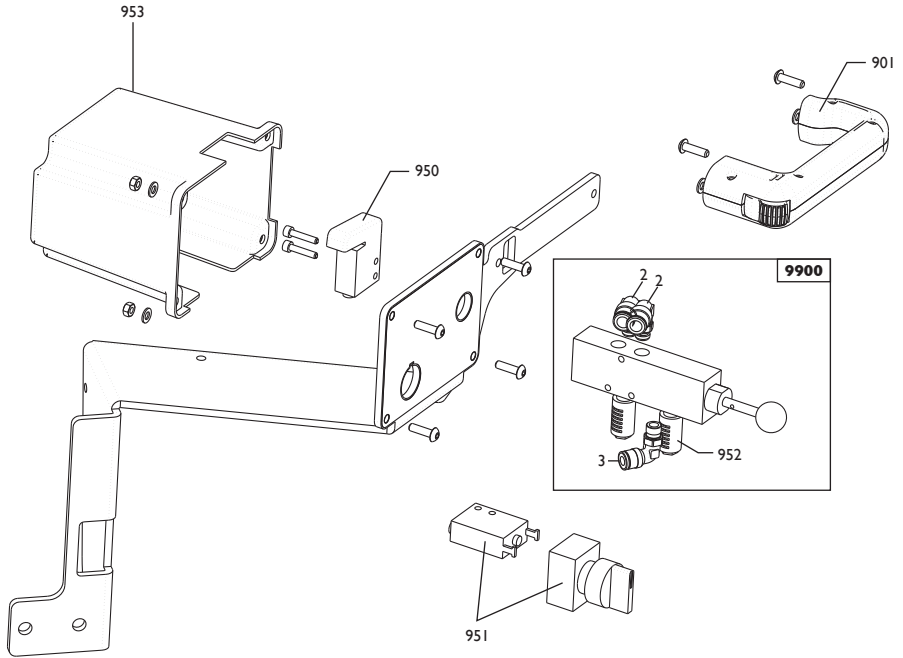
0701	5-101632	MANIGLIA	HANDLE	HANDGRIFF	POIGNEE
0702	361396	RULLO	ROLLER	WALZE	ROULEAU
0703	4-103773	MOLLA	SPRING	FEDER	RESSORT
0704	439266	CILINDRO	CYLINDER	ZYLINDER	CYLINDRE
0709	900245067	KIT GUARNIZIONI	SEALS KIT	DICHTUNGSATZ	KIT JOINTS
0710	5-101222	BLOCCAGGIO	LOCKING	SPERRE	BLOCAGE

9701	5-101221	CILINDRO	CYLINDER	ZYLINDER	CYLINDRE
0705	3-00107	RACCORDO	CONNECTOR	ANSCHLUSS	RACCORD
0706	3-00055	RACCORDO	CONNECTOR	ANSCHLUSS	RACCORD
0707	342900	FLANGIA	FLANGE	FLANSCH	FLASQUE
0708	363627	FLANGIA	FLANGE	FLANSCH	FLASQUE

9702	261436	PISTONE	PISTON	KOLBEN	PISTON
0714	4-103785	MOLLA	SPRING	FEDER	RESSORT
0715	4-103772	PERNO	PIN	ZAPFEN	PIVOT
0716	4-103774	PERNO	PIN	ZAPFEN	PIVOT
0717	4-103777	PERNO	PIN	ZAPFEN	PIVOT
0720	4-103783	PIASTRA	SLAB	PLAETTCHEN	PLAQUE
0721	4-103782	MOLLA	SPRING	FEDER	RESSORT
0722	4-103775	PERNO	PIN	ZAPFEN	PIVOT
0723	4-103778	PERNO	PIN	ZAPFEN	PIVOT
0724	4-103565	CARTER	SHIELD	ABDECKUNG	PROTECTION

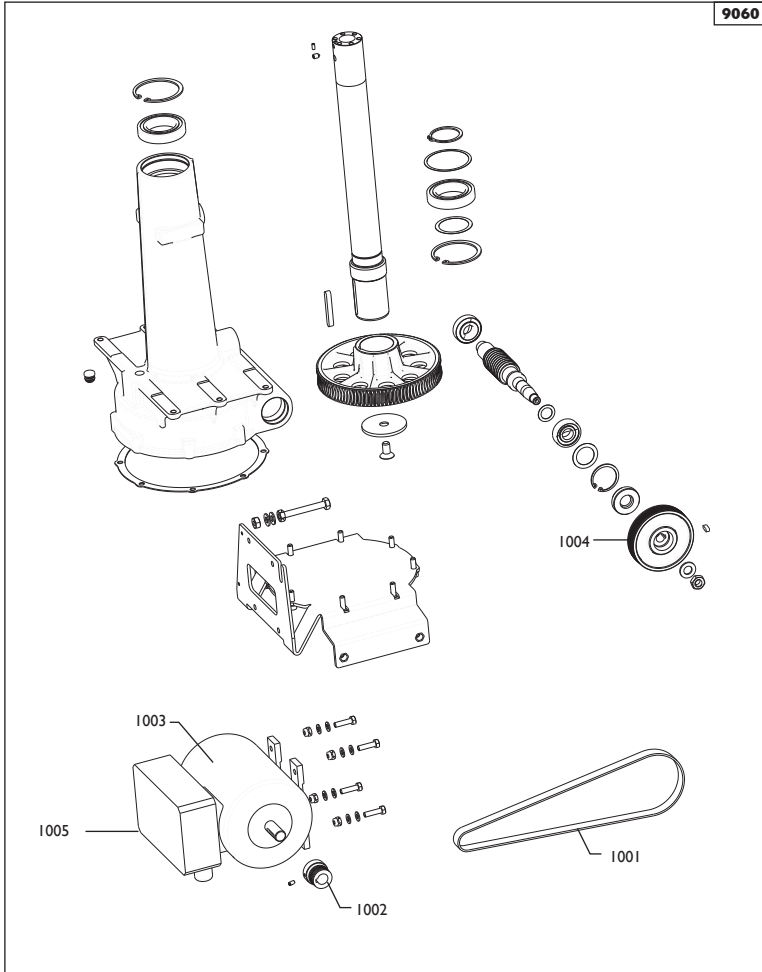


9800	5-102002	DISCO STALLONATORE		DISK	
0801	4-106181	SUPPORTO DISCO	SUPPORT	LAGER	SUPPORT
0802	4-103723	PERNO	PIN	ZAPFEN	PIVOT
0803	4-106024	DADO M12	NUT	MUTTER	BAGUE
0804	2-02398	GRANO M12x60	SCREW	SCHRAUBE	VIS
0805	5-102062	CILINDRO	CYLINDER	ZYLINDER	CYLINDRE
0806	4-106016	CARTER	LID	DECKEL	COUVERCLE
0807	4-106235	MOLLA	SPRING	FEDER	RESSORT
0808	4-106238	MOLLA	SPRING	FEDER	RESSORT
0809	4-106224	PERNO	PIN	ZAPFEN	PIVOT
0810	9005-100688	RULLO+CUSCINETTO	ROLLER	WALZE	ROULEAU



0901	5-101632	MANIGLIA	HANDLE	HANDGRIFF	POIGNEE
0950	3-01646	VALVOLA	VALVE	VENTIL	VANNE
0951	9005-101230	BLOCCAGGIO	LOCKING	SPERRE	BLOCAGE
0953	4-103563	COPERCHIO	LID	DECKEL	COUVERCLE

9900	9005-101231	VALVOLA PNEUM. PNEUM. VALVE	PNEUM. VENTILE	PANNE PNEUM.	
0002	3-00049	RACCORDO	CONNECTOR	ANSCHLUSS	RACCORD
0003	3-00218	RACCORDO	CONNECTOR	ANSCHLUSS	RACCORD
0952	3-00183	SILENZIATORE	SILENCER	SCHALLDAEMPFER	SILENCIEUX





Artiglio 50

Riduttore

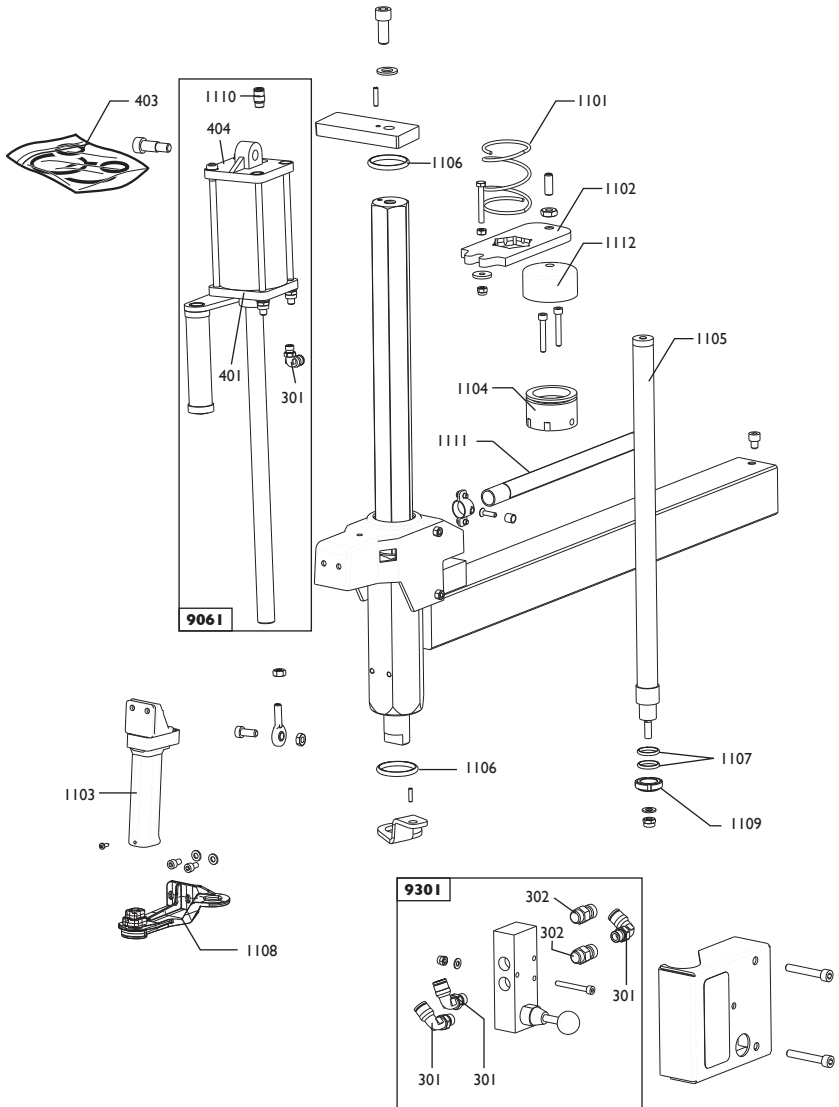
TAV. M - 05a / 06

1001	3-01649	CINGHIA	BELT	RIEMEN	COURROIE
1002	4-104329	PULEGGIA	PULLEY	RIEMENSCHIEBE	POULIE
1005	9004-105908	SCHEDA 230V	P.C. BOARD 230V	ELEKTR.PLATINE	FICHE ELECTR.
1005	9004-105909	SCHEDA 115V	P.C.BOARD 115V	ELEKTR.PLATINE	FICHE ELECTR.

9060	5-101233	RIDUTTORE 230V	GEAR BOX 230V	GETRIEBE 230V	REDUCTEUR 230V
9060	5-101459	RIDUTTORE 115V	GEAR BOX 115V	GETRIEBE 115V	REDUCTEUR 115V
1004	354082	PULEGGIA	PULLEY	RIEMENSCHIEBE	POULIE

MOTORE+INVERTER +CAVI**MOTOR+REV.+CABLES**

1003	5-100785	200-230V 1Ph 50-60Hz
1003	5-101432	115V 1Ph 60 Hz





Artiglio 50

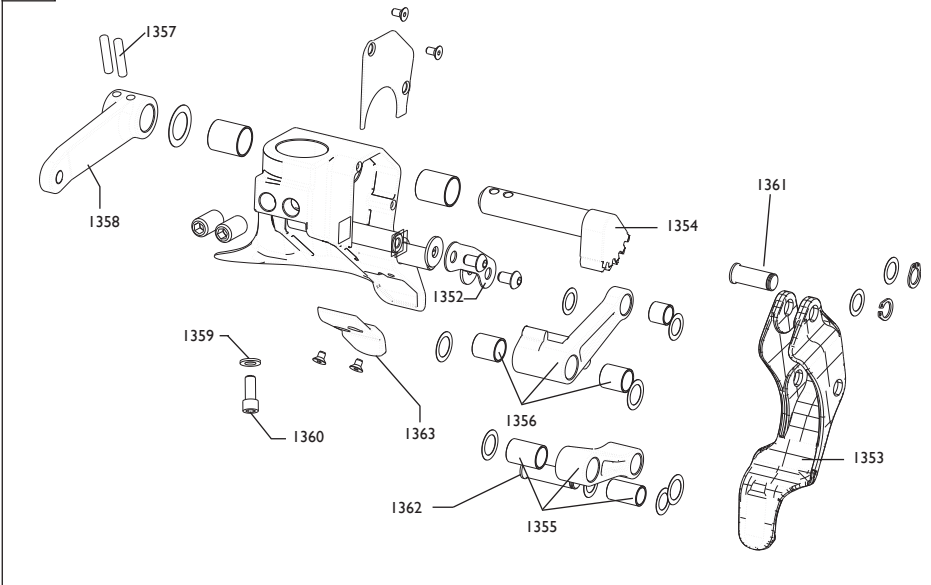
Braccio Utensile

TAV. N - 05a / 06

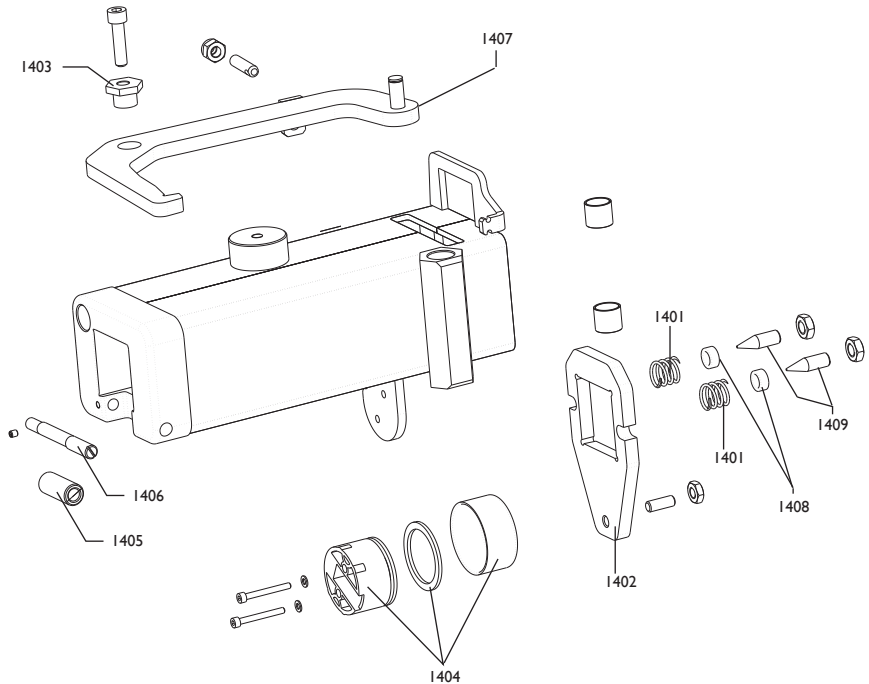
0403	900262382	KIT GUARNIZIONI	SEALS KIT	DICHTUNGSATZ	KIT JOINTS
1101	4-103898	MOLLA	SPRING	FEDER	RESSORT
1102	4-103899	PIASTRA	SLAB	PLATTE	PLAQUE
1103	5-101479	RUBINETTO	VALVE	HAHN	ROBINET
1104	5-101254	PISTONE	PISTON	KOLBEN	PISTON
1105	4-103895	CILINDRO	CYLINDER	ZYLINDER	CYLINDRE
1106	444613	GUARNIZIONE	SEAL	DICHTUNG	JOINT
1107	441728	GUARNIZIONE	SEAL	DICHTUNG	JOINT
1108	5-101564	SUPPORTO	SUPPORT	LAGER	SUPPORT
1109	440946	GHIERA	NUT	NUTMUTTER	BAGUE
1110	3-00461	RACCORDO	CONNECTOR	ANSCHLUSS	RACCORD
1111	4-103887	TUBO GUIDA	PROTECTION		
	4-103901	ADESIVO	STICK		
1112	326537	CILINDRO	CYLINDER	ZYLINDER	CYLINDRE

9301	5-101210	VALVOLA	VALVE	VENTIL	VANNE
0301	3-00053	RACCORDO	CONNECTOR	ANSCHLUSS	RACCORD
0302	433675	REGOLATORE	REGULATOR	REGLER	REGULATEUR

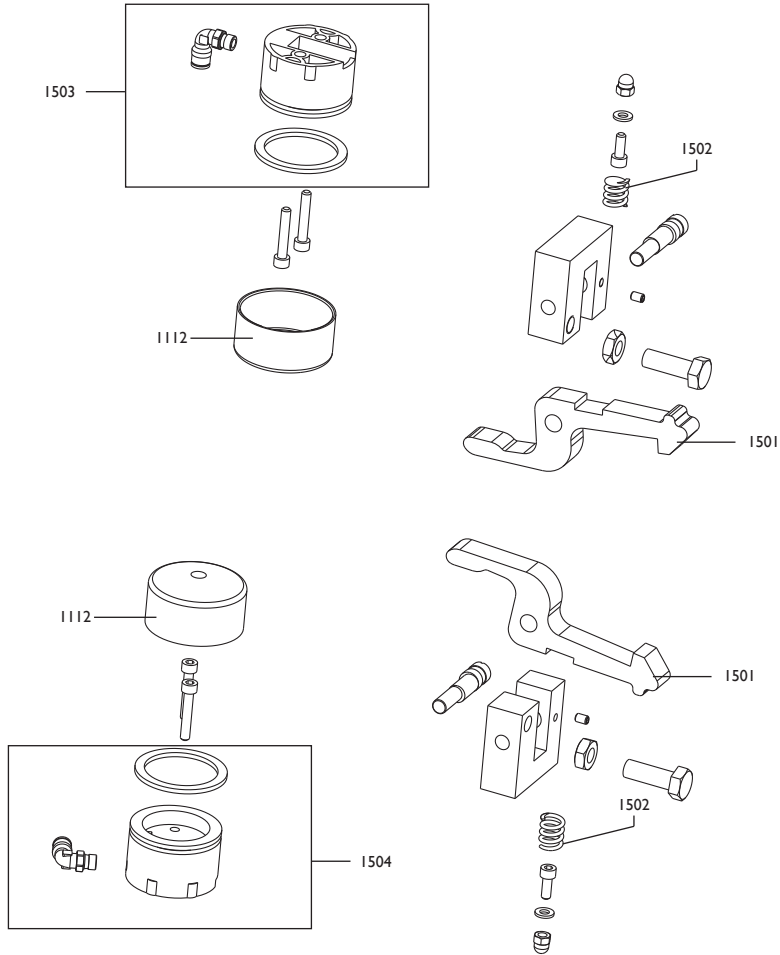
9061	5-101277	CILINDRO	CYLINDER	ZYLINDER	CYLINDRE
0404	361975	FLANGIA	FLANGE	FLANSCH	FLASQUE
0301	3-00053	RACCORDO	CONNECTOR	ANSCHLUSS	RACCORD
0401	361519	FLANGIA	FLANGE	FLANSCH	FLASQUE

9062


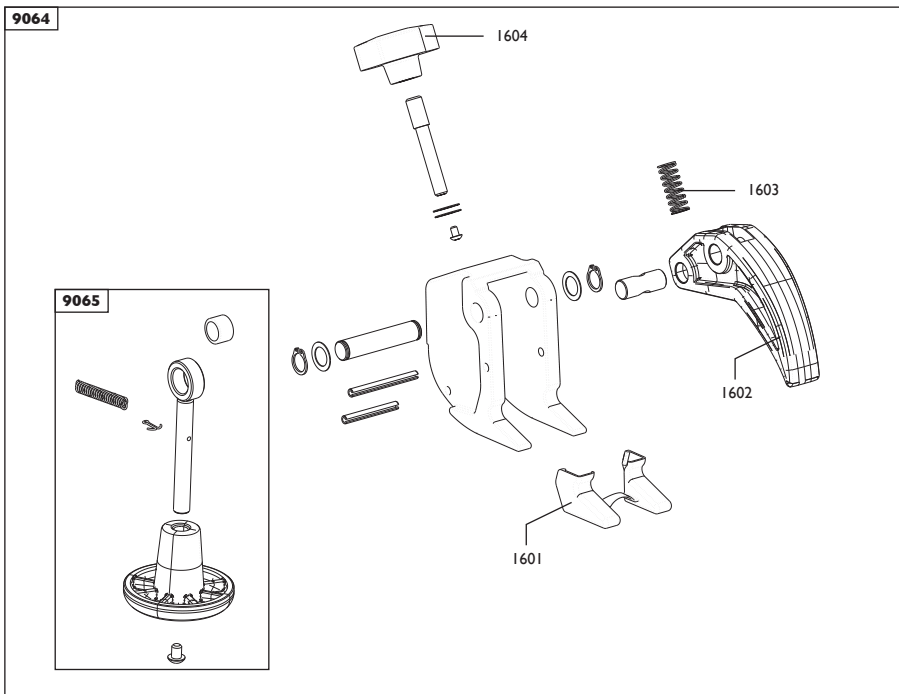
9062	9005-101264	TORRETTA	M/D HEAD	DREHKOPF	TOURELLE
1352	4-104981	LAMIERA	METAL SHEET	BLECH	TOLE
1353	4-103266	GANCIO	HOOK	HAKEN	CROCHET
1354	4-103264	INGRANAGGIO	GEAR	ZAHNRADGETRIEBE	ENGRENAGE
1355	5-101265	BIELLA	TRACE	PLEUELSTANGE	BIELLE
1356	5-101266	BIELLA	TRACE	PLEUELSTANGE	BIELLE
1357	2-71581	SPINA	PLUG	STECKER	FICHE
1358	4-103256	LEVA	LEVER	HEBEL	LEVIER
1359	4-103902	RONDELLA	WASHER	UNTERLESCHIEBE	RONDELLE
1360	2-03056	VITE	SCREW	SCHRAUBE	VIS
1361	4-103933	PERNO	PIN	ZAPFEN	PIVOT
1362	4-103932	PERNO	PIN	ZAPFEN	PIVOT
1363	5-102468	KIT 10 INSERTI	INSERT	EINLAGE	INSERT



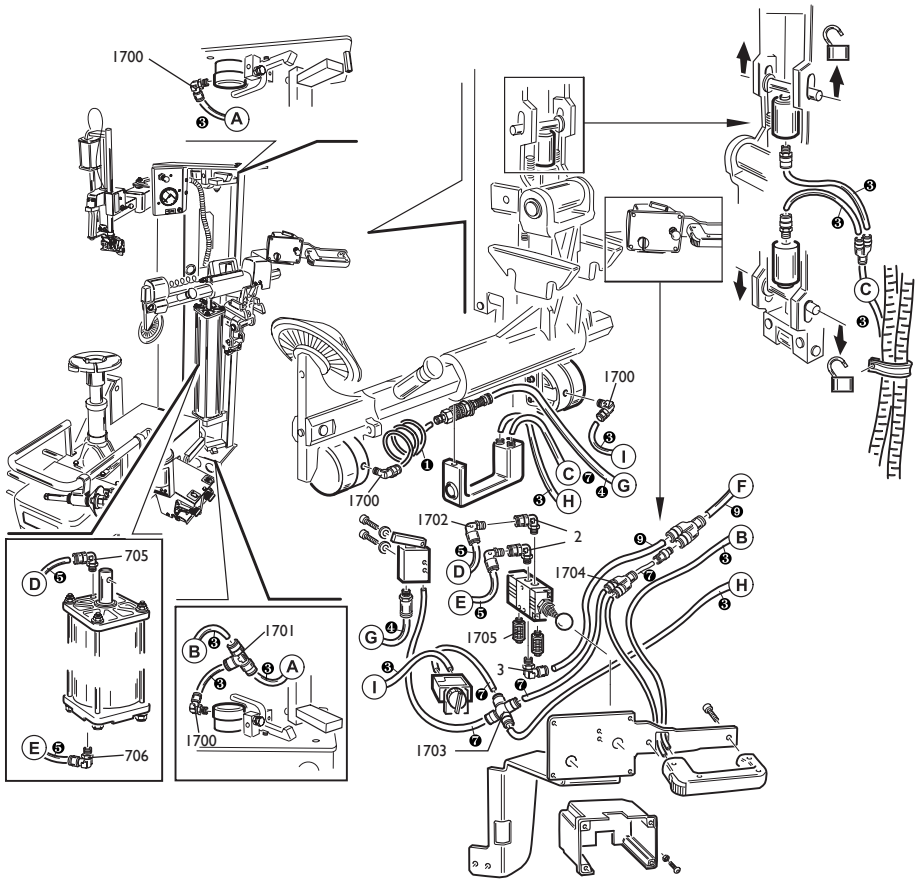
1401	439787	MOLLA	SPRING	FEDER	RESSORT
1402	4-102005	PIASTRA	SLAB	PLATTE	PLAQUE
1403	4-103907	ECCENTRICO	ECCENTRIC	NOCKEN	EXCENTRIQUE
1404	5-101258	PISTONE	PISTON	KOLBEN	PISTON
1405	4-102007	RULLO	ROLLER	WALZE	ROULEAU
1406	4-102006	ECCENTRICO	ECCENTRIC	NOCKEN	EXCENTRIQUE
1407	4-103985	GANCIO	HOOK		
1408	339803	BOCCOLA	BUSHING	LAGER	DOUILLE
1409	341836	VITE	SCREW	SCHRAUBE	VIS



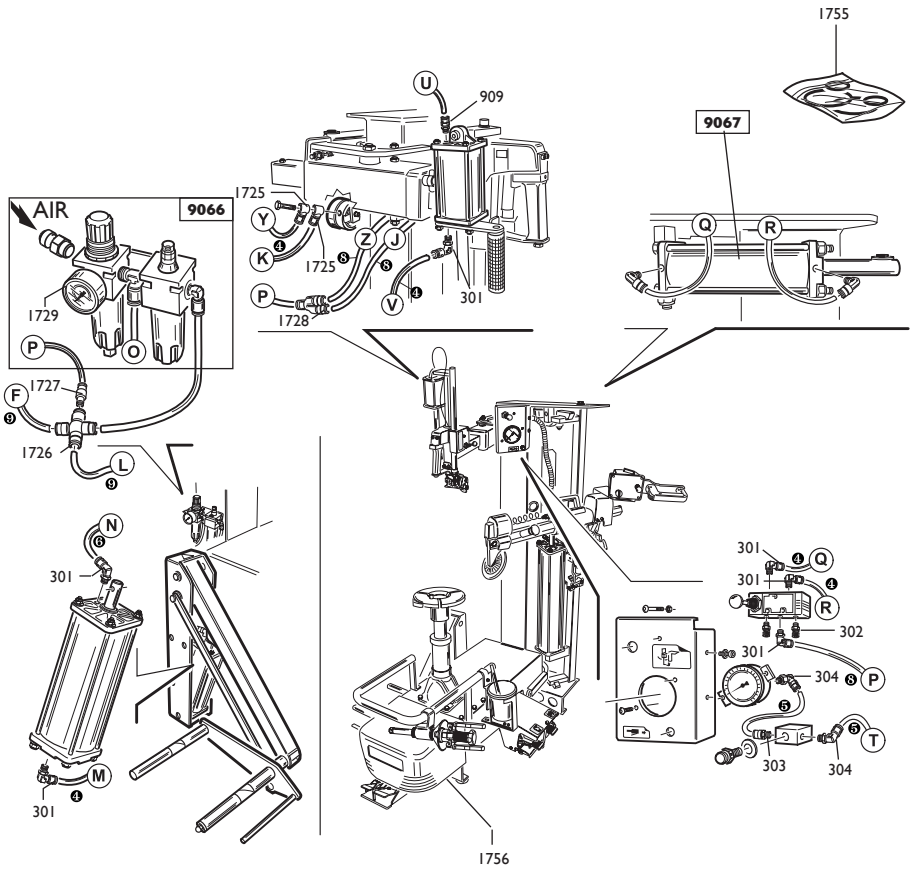
1112	326537	CILINDRO	CYLINDER	ZYLINDER	CYLINDRE
1501	4-104869	GANCIO	HOOK	HAKEN	CROCHET
1502	4-104890	MOLLA	SPRING	FEDER	RESSORT
1503	5-101580	PISTONE SUP.	PISTON	KOLBEN	PISTON
1504	5-101581	PISTONE INF.	PISTON	KOLBEN	PISTON



9064	8-11100120	MORSETTO	TERMINAL	KLEMME	BORNE
9065	9005-101642	KIT TRASFORM.	TRANSFORM. KIT	VERWANDLUNGS.KIT	TRANSFORM.
1601	4-104804	PROTEZIONE	SHIELD	ABDECKUNG	PROTECTION
1602	4-104051	DITO	U-BOLT	BUEGELBOLZEN	CRAMPILLON
1603	3-01760	MOLLA	SPRING	FEDER	RESSORT
1604	3-01715	VOLANTINO	HANDWHEEL	HANDRAD	PETIT VOLANT



0002	3-00049	RACCORDO	CONNECTOR	ANSCHLUSS	RACCORD
0003	3-00218	RACCORDO	CONNECTOR	ANSCHLUSS	RACCORD
0705	3-00107	RACCORDO	CONNECTOR	ANSCHLUSS	RACCORD
0706	3-00055	RACCORDO	CONNECTOR	ANSCHLUSS	RACCORD
1700	3-00220	RACCORDO	CONNECTOR	ANSCHLUSS	RACCORD
1701	3-00023	RACCORDO	CONNECTOR	ANSCHLUSS	RACCORD
1702	3-00150	RACCORDO PNEUM.	PNEU.CONNECTION	PNEUM. ANSCHE.	RACCORD.PNEUM.
1703	3-00020	RACCORDO	CONNECTOR	ANSCHLUSS	RACCORD
1704	3-00238	RACCORDO PNEUM.	PNEU.CONNECTION	PNEUM. ANSCHE.	RACCORD.PNEUM.
1705	3-00183	SILENZIATORE	SILENCER	SCHALLDAEMPFER	SILENCIEUX
①	4-103910	TUBO a spirale	PIPE		
②	9005-101196	TUBO gonggiaggio	PIPE		
③	1-04035	TUBO 4x1 nero	PIPE 4x1 black	(max 1700 m)	
④	1-01684	TUBO 6x1 nero	PIPE 6x1 black	(max 1500 m)	
⑤	1-01683	TUBO 8x1 nero	PIPE 8x1 black	(max 2400 m)	
⑥	1-04036	TUBO 6x1 giallo	PIPE 6x1 yellow	(max 1000 m)	
⑦	1-03471	TUBO 4x1 rosso	PIPE 4x1 red	(max 1500 m)	
⑧	1-04001	TUBO 6x1 rosso	PIPE 6x1 red	(max 1350 m)	
⑨	1-04000	TUBO 8x1 rosso	PIPE 8x1 red	(max 2300 m)	



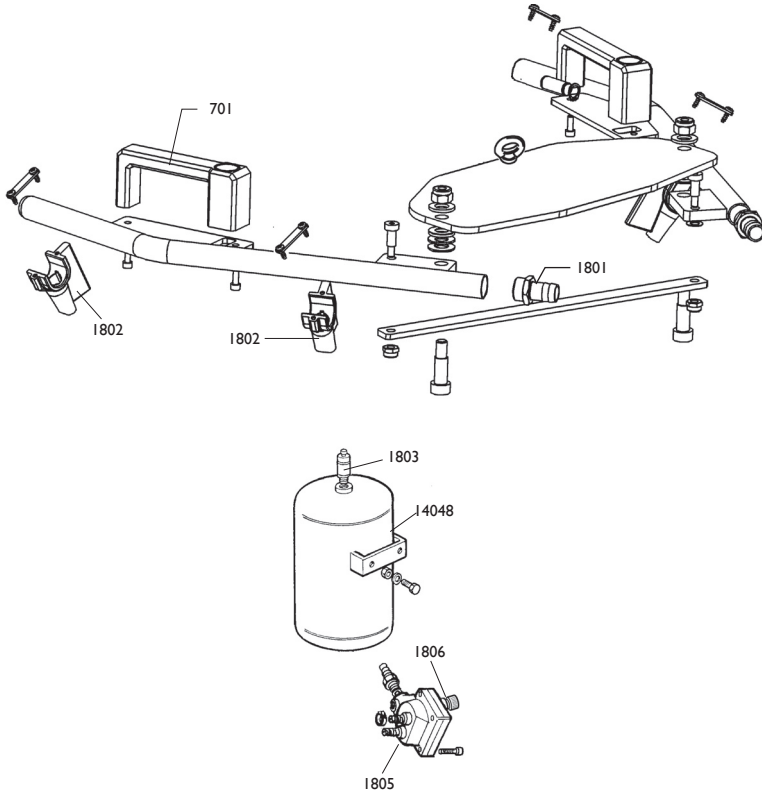
0301	3-00053	RACCORDO	CONNECTOR	ANSCHLUSS	RACCORD
0302	433675	REGOLATORE	REGULATOR	REGLER	REGULATEUR
0303	3-00459	RACCORDO	CONNECTOR	ANSCHLUSS	RACCORD
0304	3-00221	RACCORDO	CONNECTOR	ANSCHLUSS	RACCORD
1110	3-00461	RACCORDO	CONNECTOR	ANSCHLUSS	RACCORD
1725	3-01181	RACCORDO PNEUM.	PNEU.CONNECTION	PNEUM. ANSCHE.	RACCORD.PNEUM.
1726	3-00021	RACCORDO	CONNECTOR	ANSCHLUSS	RACCORD
1727	3-00209	RACCORDO	CONNECTOR	ANSCHLUSS	RACCORD
1728	3-00047	RACCORDO	CONNECTOR	ANSCHLUSS	RACCORD
1750	3-00025	RACCORDO	CONNECTOR	ANSCHLUSS	RACCORD
1755	9005-101641	KIT GUARNIZIONI			
1756	4-103528	COPERTURA	SHIELD	FEDER	RESSORT

9066	462929	FILTRO	FILTER	FILTER	FILTRE
1729	3-00488	MANOMETRO	PRESSURE GAUGE	DRUCKMESSER	MANOMETRE

9067	5-101237	CILINDRO	CYLINDER	ZYLINDER	CYLINDRE
-------------	-----------------	-----------------	-----------------	-----------------	-----------------

①	4-103910	TUBO a spirale	PIPE		
②	9005-101196	TUBO gonggiaggio	PIPE		
③	1-04035	TUBO 4x1 nero	PIPE 4x1 black	(max 1700 m)	
④	1-01684	TUBO 6x1 nero	PIPE 6x1 black	(max 1500 m)	
⑤	1-01683	TUBO 8x1 nero	PIPE 8x1 black	(max 2400 m)	
⑥	1-04036	TUBO 6x1 giallo	PIPE 6x1 yellow	(max 1000 m)	
⑦	1-03471	TUBO 4x1 rosso	PIPE 4x1 red	(max 1500 m)	
⑧	1-04001	TUBO 6x1 rosso	PIPE 6x1 red	(max 1350 m)	
⑨	1-04000	TUBO 8x1 rosso	PIPE 8x1 red	(max 2300 m)	

0001	3-01176	RACCORDO	CONNECTOR	ANSCHLUSS	RACCORD
0002	3-00049	RACCORDO	CONNECTOR	ANSCHLUSS	RACCORD
0003	3-00218	RACCORDO	CONNECTOR	ANSCHLUSS	RACCORD
0301	3-00053	RACCORDO	CONNECTOR	ANSCHLUSS	RACCORD
0302	433675	REGOLATORE	REGULATOR	REGLER	REGULATEUR
1750	3-00025	RACCORDO	CONNECTOR	ANSCHLUSS	RACCORD
❶	4-103910	TUBO a spirale	PIPE		
❷	9005-101196	TUBO gonggiaggio	PIPE		
❸	1-04035	TUBO 4x1 nero	PIPE 4x1 black	(max 1700 m)	
❹	1-01684	TUBO 6x1 nero	PIPE 6x1 black	(max 1500 m)	
❺	1-01683	TUBO 8x1 nero	PIPE 8x1 black	(max 2400 m)	
❻	1-04036	TUBO 6x1 giallo	PIPE 6x1 yellow	(max 1000 m)	
❼	1-03471	TUBO 4x1 rosso	PIPE 4x1 red	(max 1500 m)	
❽	1-04001	TUBO 6x1 rosso	PIPE 6x1 red	(max 1350 m)	
❾	1-04000	TUBO 8x1 rosso	PIPE 8x1 red	(max 2300 m)	



0701	5-101632	MANIGLIA	HANDLE	HANDGRIFF	POIGNEE
1801	3-00008	RACCORDO	CONNECTOR	ANSCHLUSS	RACCORD
1802	462124	UGELLO	NOZZLE	DUESE	BUSE-TUYERE
1803	3-00356	VALVOLA	VALVE	VENTIL	VANNE

CE

1404	262215	SERBATOIO CE	TANK CE	TANK CE	RESERVOIR CE
------	--------	--------------	---------	---------	--------------

ASME

1804	5-101625	SERBATOIO ASME	TANK ASME	TANK ASME	RESERVOIR ASME
1805	243203	VALVOLA	VALVE	VENTIL	VANNE
1806	3-01175	VALVOLA	VALVE	VENTIL	VANNE

Il disegno è realizzato con tutti i particolari ma solo quelli codificati sono forniti come ricambi. L'Azienda si riserva la facoltà di apportare modifiche senza preavviso.



Via per Carpi, n°9 - 42015 Correggio (RE) ITALY
Tel. ++39 0522 639111 - Fax ++39 0522 639150
www.corghi.com - info@corghi.com

The drawing shows all parts but only the coded parts are supplied as spares. The Company reserves the right to make modifications without prior notice.