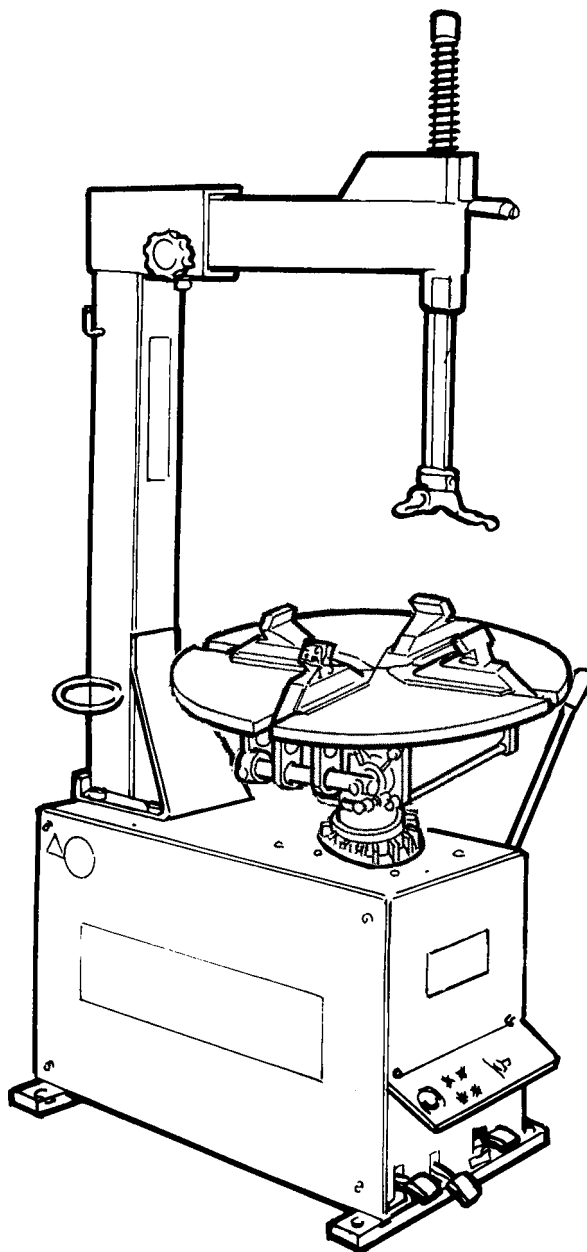


Questo libretto non autorizza l'utente ad intervenire sulle macchine ad esclusione di quanto esplicitamente descritto nel Manuale d'uso, ma consente all'utente di fornire informazioni precise all'Assistenza tecnica, al fine di ridurre i tempi di intervento.

# A 2000

The "Spare parts" booklet does not authorize the user to carry out work on the machine unless expressly specified in the instruction manual, but does enable him to provide accurate information to the assistance service in order to reduce downtime.

## PEZZI DI RICAMBIO SPARE PARTS LIST ERSATZTEILLISTE PIECES DE RECHANGE



Versione

2.0

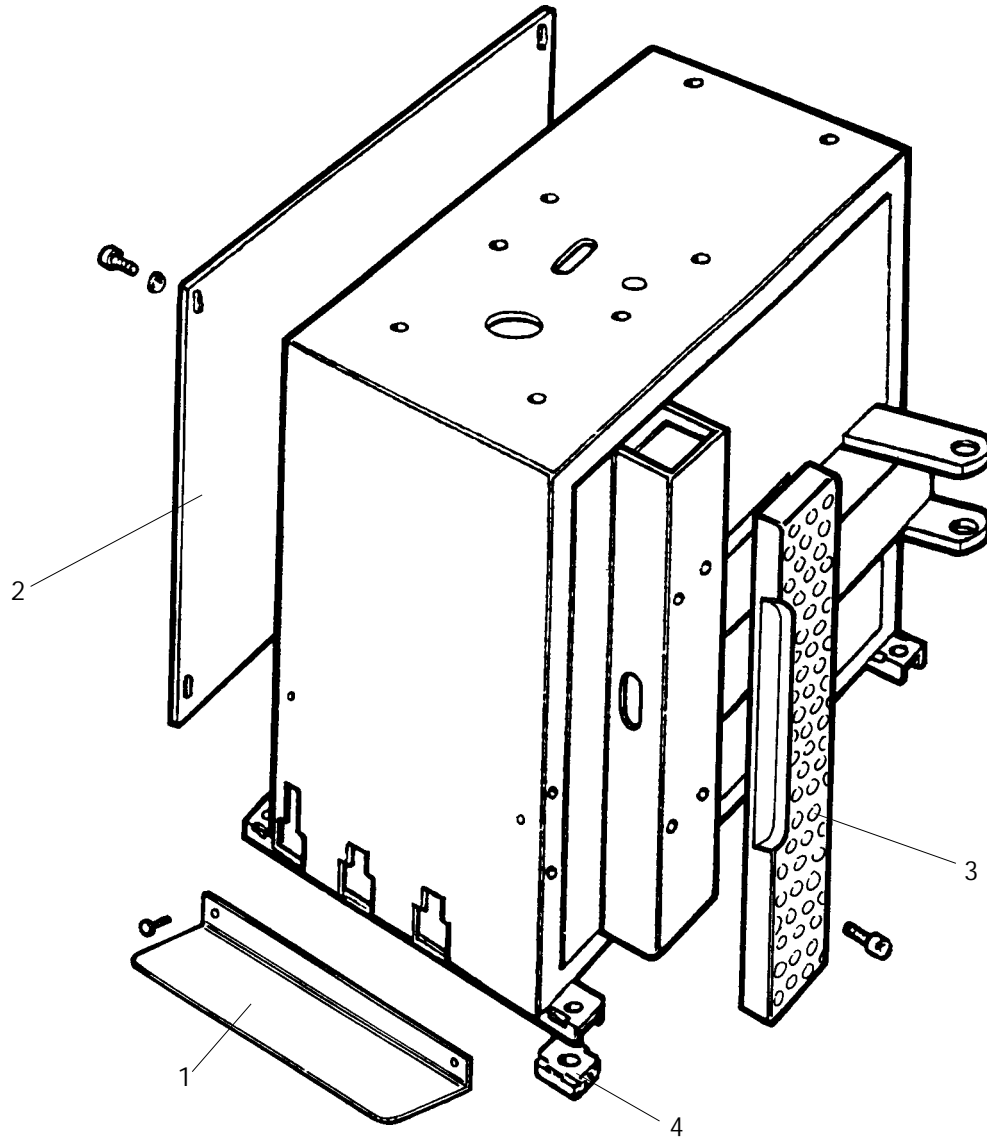
In produzione da  
Production from  
Herstellung ab  
Production

04 / 00

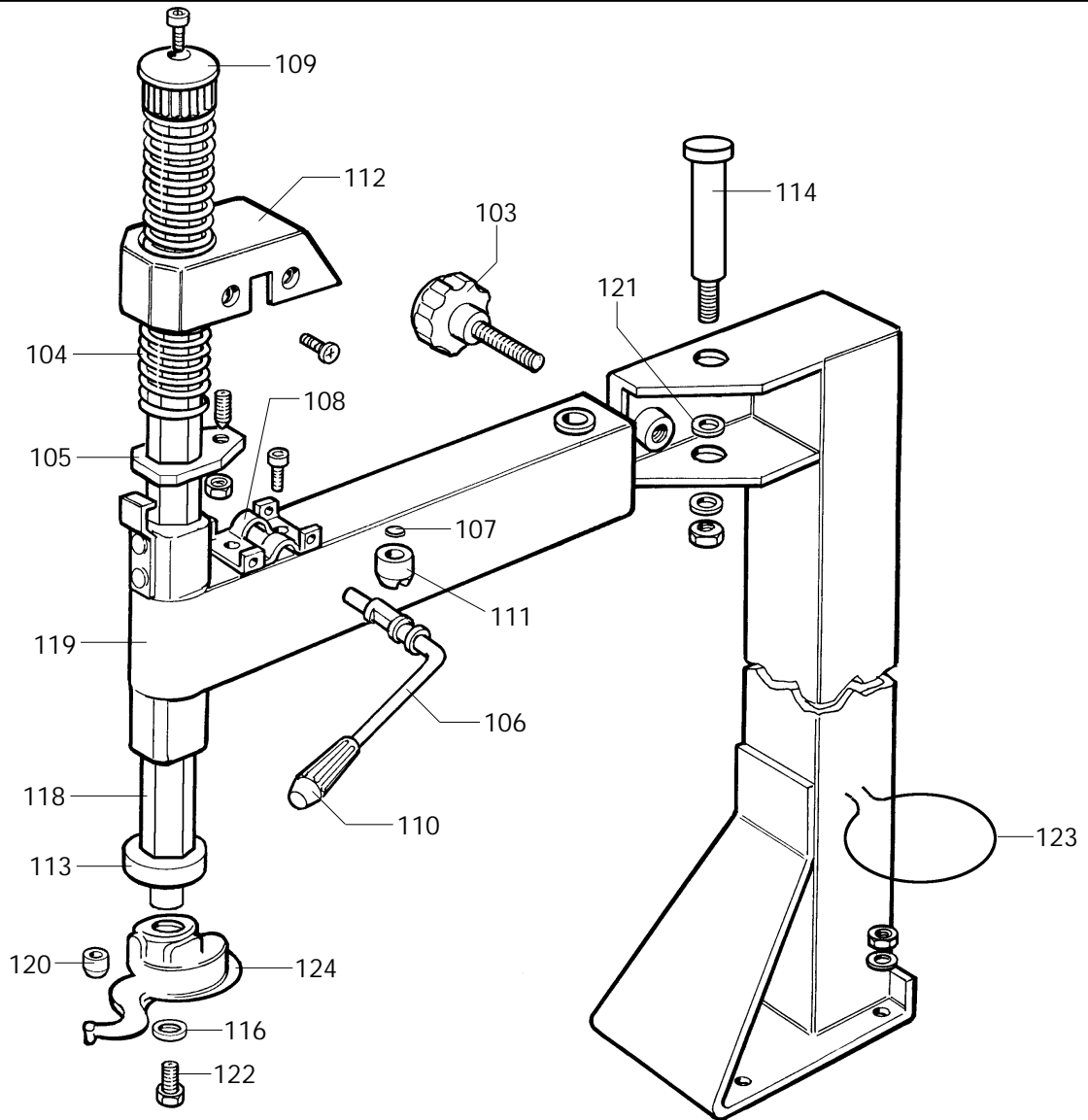
Der Katalog Ersatzteile stellt keine Genehmigung zu eigenmächtigen Eingriffen dar (mit Ausnahme jener im Handbuch beschriebenen), sondern er soll den Anwender in die Lage versetzen, dem technischen Service präzise Informationen zu liefern, um die Reparaturzeiten zu verkürzen.



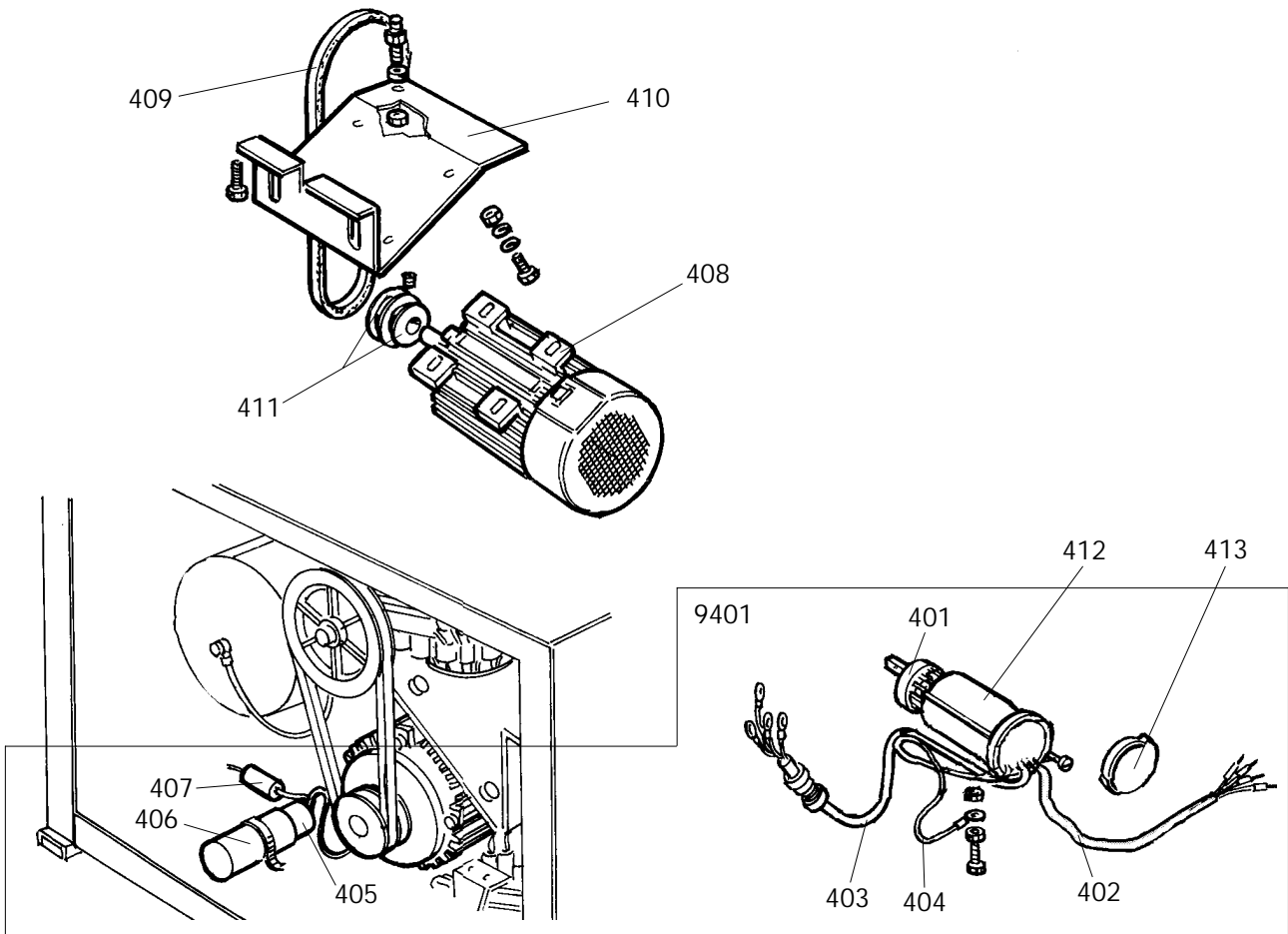
Le livret "Pièces de rechange", n'autorise pas l'utilisateur à intervenir sur les machines, sauf pour tout ce qui est clairement décrit dans le manuel d'utilisation, mais lui permet de fournir des informations précises à l'assistance technique, afin de diminuer les délais d'intervention.



0001	900352856	PROTEZIONE	SHIELD	ABDECKUNG	PROTECTION
0002	900326354	COFANO	HOOD	HAUBE	COFFRE
0003	900436199	APPOGGIO	RIM SUPPORT	STUETZE	APPUI
0004	900422019	PIEDE	FOOT	FUSS	PIED



0103	900440276	MANOPOLA	KNOB	BALLENGRIFF	BOUTON
0104	900423765	MOLLA	SPRING	FEDER	RESSORT
0105	900440278	PIATTO	PLATE	TELLER	PLAT
0106	900440279	LEVA	LEVER	HEBEL	LEVIER
0107	900440280	PIASTRINA	PLATE	PLAETTCHEN	PLAQUETTE
0108	900440281	PIASTRINA	PLATE	PLAETTCHEN	PLAQUETTE
0109	900423907	POMOLO	KNOB	BALLENGRIFF	POMMEAU
0110	900417351	MANOPOLA	KNOB	BALLENGRIFF	BOUTON
0111	900440284	NOTTOLINO	PAWL	KLINKE	CLIQUET
0112	900440285	CARTER	CASING	GEHAUSE	CARTER
0113	900428681	ANELLO	RING	RING	ANNEAU
0114	900440287	PERNO	PIN	ZAPFEN	PIVOT
0116	900350194	RONDELLA	WASHER	UNTERLEGSCHIEBE	RONDELLE
0118	900343105	BRACCIO	ARM	ARM	BRAS
0119	900252773	BRACCIO	ARM	ARM	BRAS
0120	900322738	RULLO	ROLLER	WALZE	ROULEAU
0121	900440439	RONDELLA	WASHER	UNTERLEGSCHIEBE	RONDELLE
0122	900350197	VITE	SCREW	SCHRAUBE	VIS
0123	900440436	SUPPORTO	SUPPORT	LAGER	SUPPORT
0124	900258458	TORRETTA	MOUNT/D. HEAD	DREHKOPF	TOURELLE



## IMPIANTO ELETTRICO ELECTRIC SYSTEM ELEKTRISCHE ANLAGE INSTALL. ELECTRIQUE

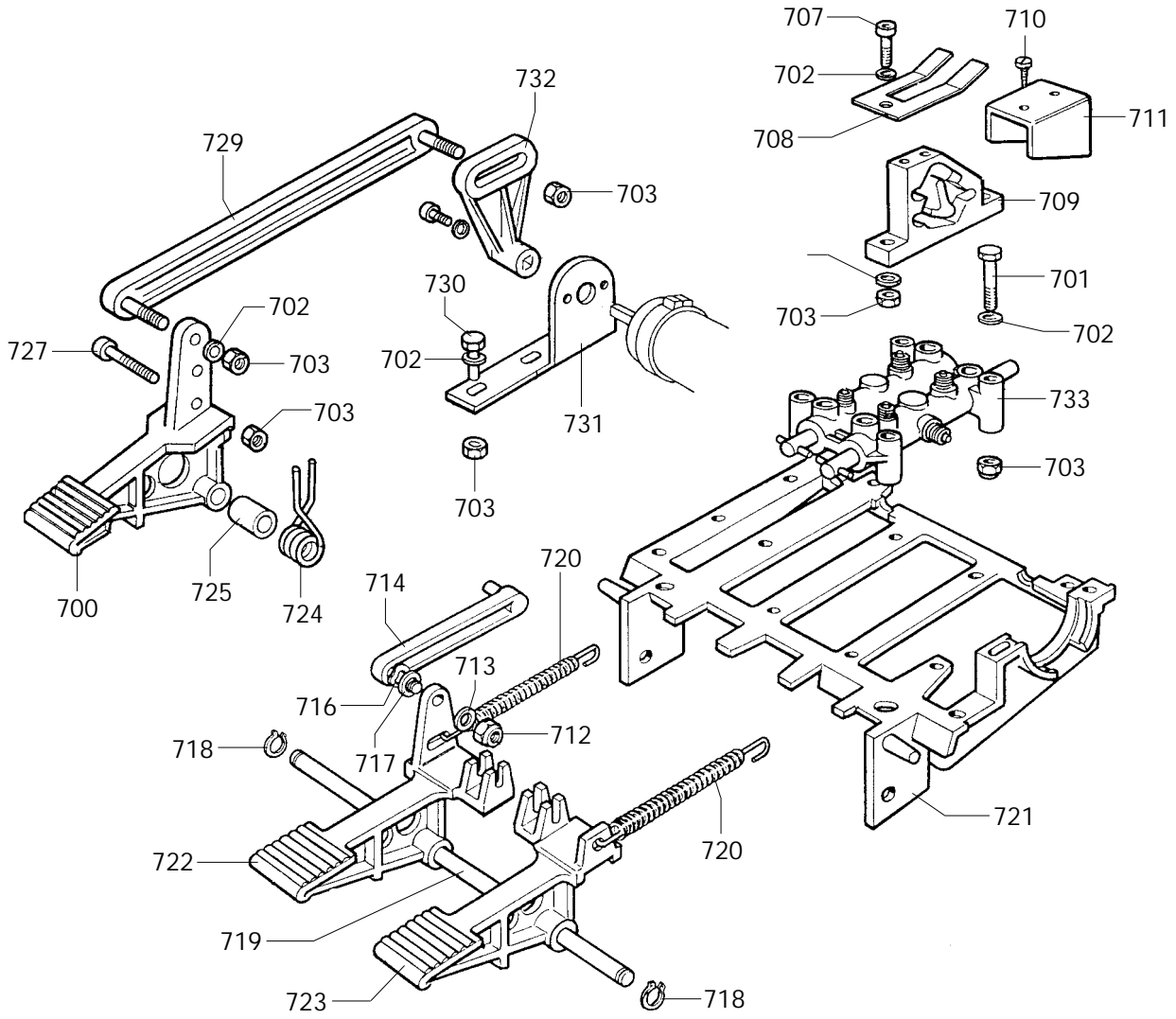
9801	900249882	110V 1ph	110V 1ph	110V 1ph	110V 1ph
0401	900435363	INVERTITORE	REVERSER	RICHTUNGSWENDER	INVERSEUR
0402	900230709	CAVO	CABLE	KABEL	CABLE
0403	900225419	CAVO	CABLE	KABEL	CABLE
0404	900225051	CAVALLOTTO	U-BOLT	BUEGELBOLZEN	CRAMPILLON
0405	900430750	CAPPELOTTO	CAP NUT	ABSCHLUSSKAPPE	CAPUCHON
0406	900449751	CONDENSATORE	CAPACITOR	KONDENSATOR	CONDENSATEUR
0407	900430770	RESISTENZA	RESISTANCE	WIDERSTAND	RESISTANCE

9401	900249881	220V 1ph	220V 1ph	220V 1ph	220V 1ph
0401	900421523	INVERTITORE	REVERSER	RICHTUNGSWENDER	INVERSEUR
0402	900235520	CAVO	CABLE	KABEL	CABLE
0403	900225419	CAVO	CABLE	KABEL	CABLE
0404	900225051	CAVALLOTTO	U-BOLT	BUEGELBOLZEN	CRAMPILLON
0405	900414850	CAPPELOTTO	CAP NUT	ABSCHLUSSKAPPE	CAPUCHON
0406	900449750	CONDENSATORE	CAPACITOR	KONDENSATOR	CONDENSATEUR
0407	900417794	RESISTENZA	RESISTANCE	WIDERSTAND	RESISTANCE

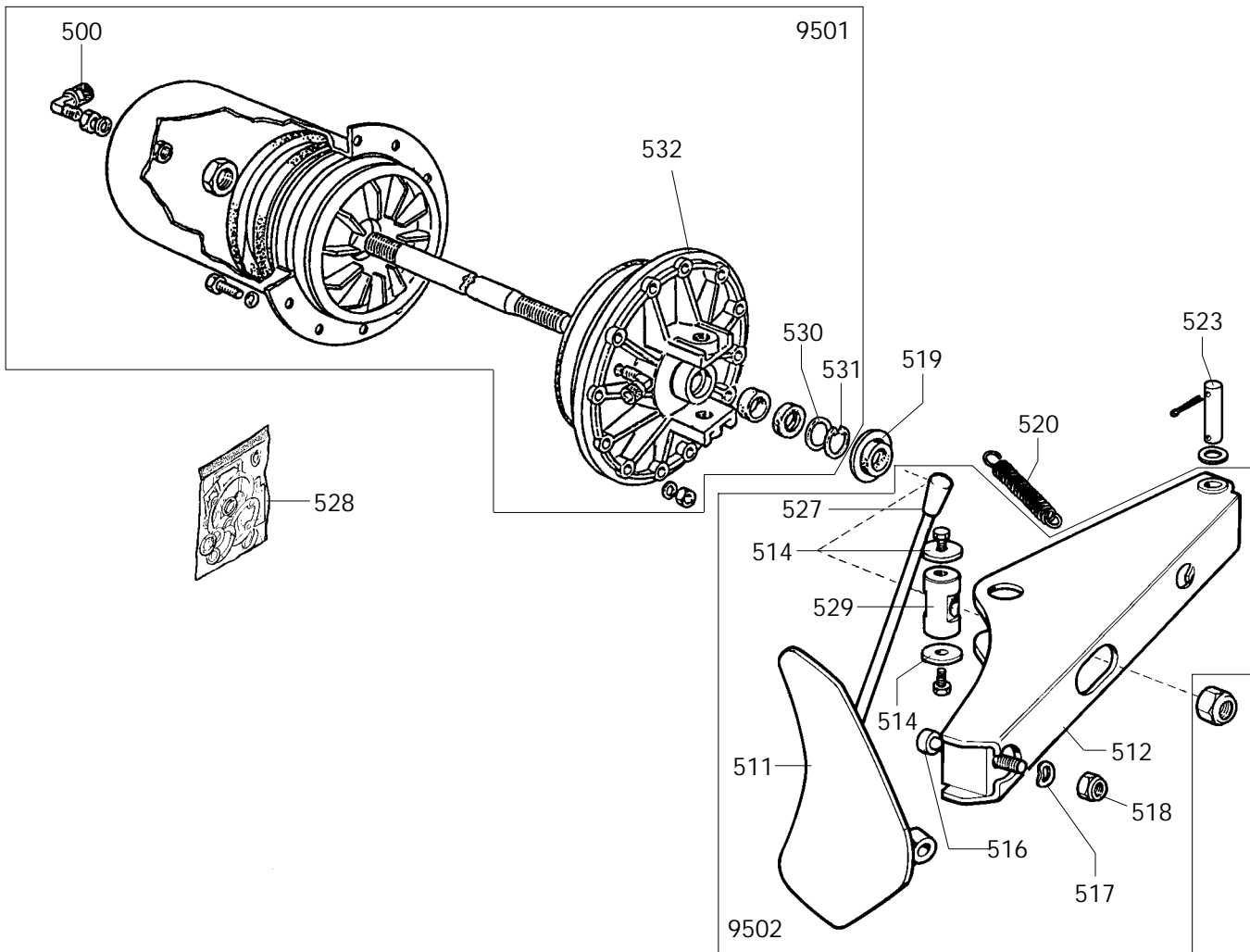
9401	900235574	3ph	3ph	3ph	3ph
0401	900421523	INVERTITORE	REVERSER	RICHTUNGSWENDER	INVERSEUR
0402	900235518	CAVO	CABLE	KABEL	CABLE
0403	900225390	CAVO	CABLE	KABEL	CABLE
0404	900225051	CAVALLOTTO	U-BOLT	BUEGELBOLZEN	CRAMPILLON

0408	950412959	MOTORE 3ph 400V	MOTOR 3ph 400V	MOTOR 3ph 400V	MOTEUR 3ph 400V
0408	900426793	MOTORE 3ph 440V	MOTOR 3ph 440V	MOTOR 3ph 440V	MOTEUR 3ph 440V
0408	900449747	MOTORE 50Hz 1ph	MOTOR 50Hz 1ph	MOTOR 50Hz 1ph	MOTEUR 50Hz 1ph
0408	900449749	MOTORE 60Hz 1ph	MOTOR 60Hz 1ph	MOTOR 60Hz 1ph	MOTEUR 60Hz 1ph
0409	900432009	CINGHIA	BELT	RIEMEN	COURROIE
0410	900334768	CULLA	CRADLE	WIEGE	BERCEAU
0411	900325274	PULEGGIA	PULLEY	RIEMENSCHIEBE	POULIE
0412	900432065	PROTEZIONE	SHIELD	ABDECKUNG	PROTECTION
0413	900430991	COPERCHIO	LID	DECKEL	COUVERCLE

9701



9701	900241201	PEDALIERA	CONTROL PEDAL	PEDALERIE	GR.PEDALES
0700	900325029	PEDALE	PEDAL	PEDAL	PEDALE
0701	900600411	VITE	SCREW	SCHRAUBE	VIS
0702	900600211	RONDELLA	WASHER	UNTERLEGSCHIEBE	RONDELLE
0703	900601979	DADO	NUT	MUTTER	ECROU
0707	900600312	VITE	SCREW	SCHRAUBE	VIS
0708	900325019	BALESTRA	LEAF SPRING	BLATTFEDER	RESSORT A LAMES
0709	900425020	CAMMA	CAM	NOCKEN	CAME
0710	900600641	VITE	SCREW	SCHRAUBE	VIS
0711	900325018	CAVALLOTTO	U-BOLT	BUEGELBOLZEN	CRAMPILLON
0712	900601980	DADO	NUT	MUTTER	ECROU
0713	900600212	RONDELLA	WASHER	UNTERLEGSCHIEBE	RONDELLE
0714	900425014	BIELLA	TRACE	PLEUELSTANGE	BIELLE
0716	900419888	RONDELLA	WASHER	UNTERLEGSCHIEBE	RONDELLE
0717	900309358	RONDELLA	WASHER	UNTERLEGSCHIEBE	RONDELLE
0718	900600025	ANELLO	RING	RING	ANNEAU
0719	900325583	PERNO	PIN	ZAPFEN	PIVOT
0720	900410628	MOLLA	SPRING	FEDER	RESSORT
0721	900324273	SUPPORTO	SUPPORT	LAGER	SUPPORT
0722	900325031	PEDALE	PEDAL	PEDAL	PEDALE
0723	900325032	PEDALE	PEDAL	PEDAL	PEDALE
0724	900428682	MOLLA	SPRING	FEDER	RESSORT
0725	900325050	DISTANZIALE	SPACER	ABSTANDSSTUECK	ENTRETOISE
0727	900600366	VITE	SCREW	SCHRAUBE	VIS
0729	900429009	BIELLA	TRACE	PLEUELSTANGE	BIELLE
0730	900600362	VITE	SCREW	SCHRAUBE	VIS
0731	900334758	SUPPORTO	SUPPORT	LAGER	SUPPORT
0732	900404283	LEVA	LEVER	HEBEL	LEVIER
0733	900253298	RUBINETTO	COCK	HAHN	ROBINET

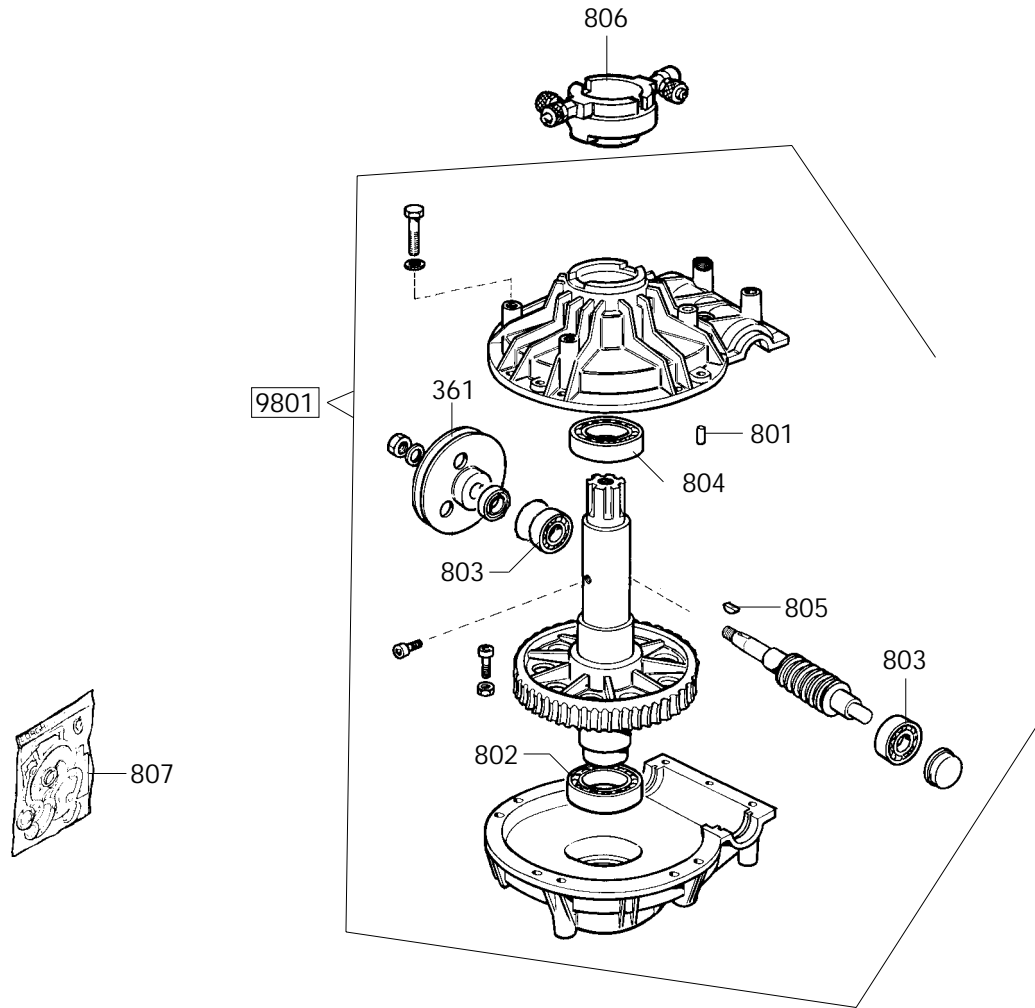


9501	900231706	CILINDRO 18"	CYLINDER 18"	ZYLINDER 18"	CYLINDRE 18"
9501	900243505	CILINDRO 20"	CYLINDER 20"	ZYLINDER 20"	CYLINDRE 20"
0500	900418350	RACCORDO	CONNECTOR	ANSCHLUSS	RACCORD
0530	900325561	RONDELLA	WASHER	UNTERLEGSCHIEBE	RONDELLE
0531	900434031	ANELLO	RING	RING	ANNEAU
0532	900252145	FLANGIA	FLANGE	FLANSCH	FLASQUE

9502	900249612	BRACCIO	ARM	ARM	BRAS
0511	900224000	PALETTA	BEAD BREAKER	SCHAUFEL	PELLE
0512	900224003	BRACCIO	ARM	ARM	BRAS
0514	950323901	RONDELLA	WASHER	UNTERLEGSCHIEBE	RONDELLE
0516	900324008	PERNO	PIN	ZAPFEN	PIVOT
0517	900409650	RONDELLA	WASHER	UNTERLEGSCHIEBE	RONDELLE
0518	900422255	DADO	NUT	MUTTER	ECROU
0527	900425219	POMOLO	KNOB	BALLENGRIFF	POMMEAU
0529	900339045	PERNO	PIN	ZAPFEN	PIVOT

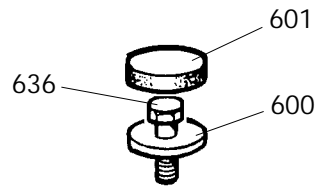
0519	900424096	TAMPONE	PAD	PUFFER	TAMPON
0520	900424364	MOLLA	SPRING	FEDER	RESSORT
0523	900323903	FULCRO	FULCRUM	DREHPUNKT	ENTABLURE
0528	900238212	KIT GUARNIZIONI	SEALS KIT	DICHTUNGSATZ	KIT JOINTS



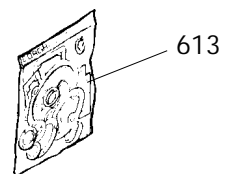
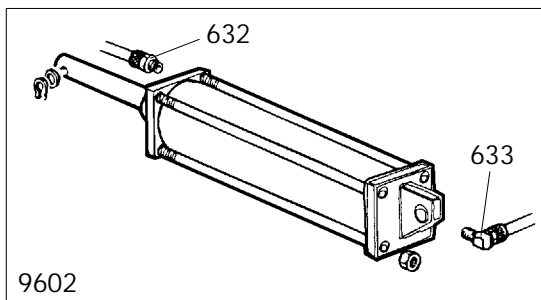
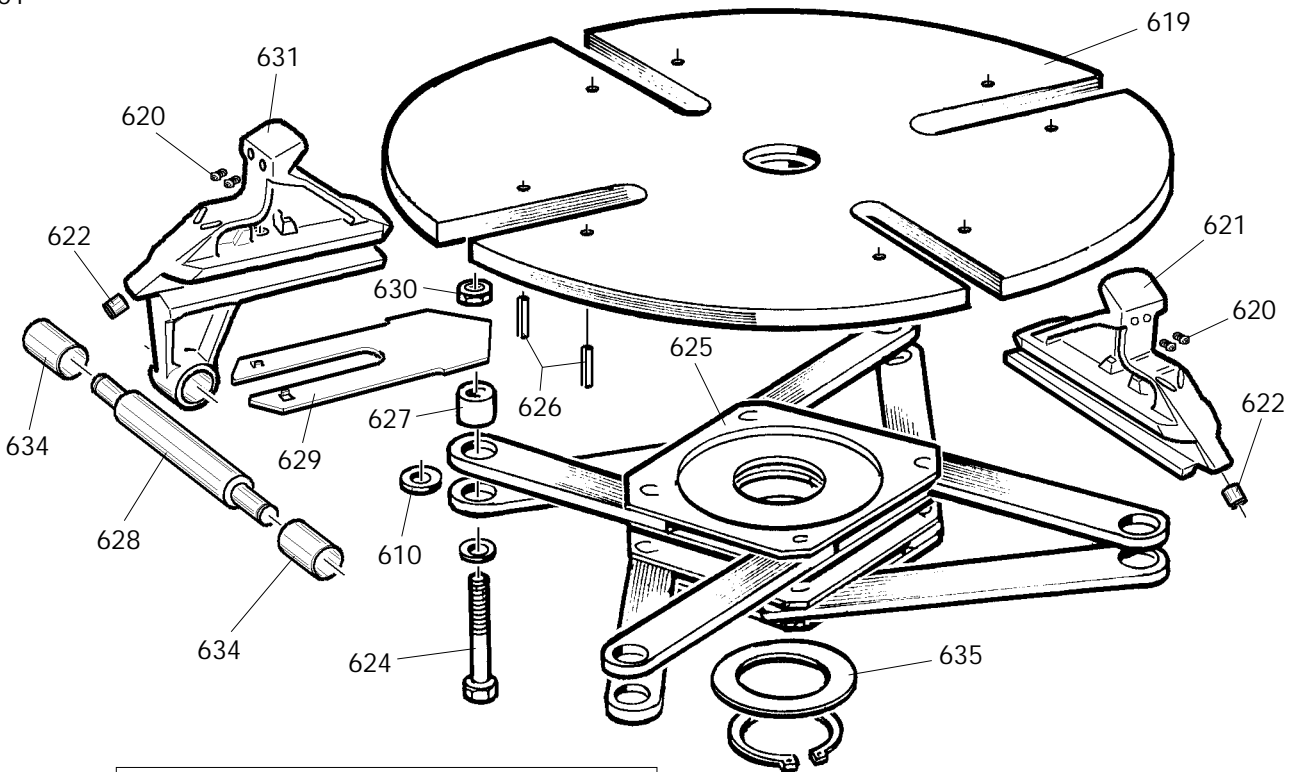


9801	900232897	RIDUTTORE	GEAR BOX	GETRIEBE	REDUCTEUR
9801	900239599	RIDUTTORE pneum.	GEAR BOX	GETRIEBE	REDUCTEUR
0361	900319073	PULEGGIA	PULLEY	RIEMENSCHIEBE	POULIE
0361	900414344	PULEGGIA (pneum.)	PULLEY	RIEMENSCHIEBE	POULIE
0801	900601280	SPINA ELASTICA	PIN	SPANNSTIFT	CHEVILLE
0802	900601220	CUSCINETTO	BEARING	LAGER	ROULEMENT
0803	900601221	CUSCINETTO	BEARING	LAGER	ROULEMENT
0804	900601703	CUSCINETTO	BEARING	LAGER	ROULEMENT
0805	900600667	LINGUETTA	TANG	FEDERKEIL	LANGUETTE

0806	900228389	RACCORDO	CONNECTOR	ANSCHLUSS	RACCORD
0807	900238204	KIT GUARNIZIONI	SEALS KIT	DICHTUNGSATZ	KIT JOINTS



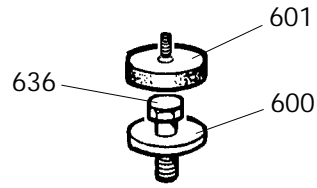
9601



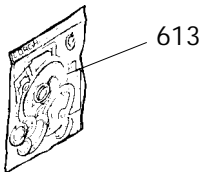
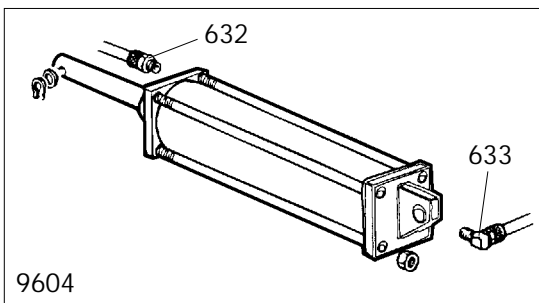
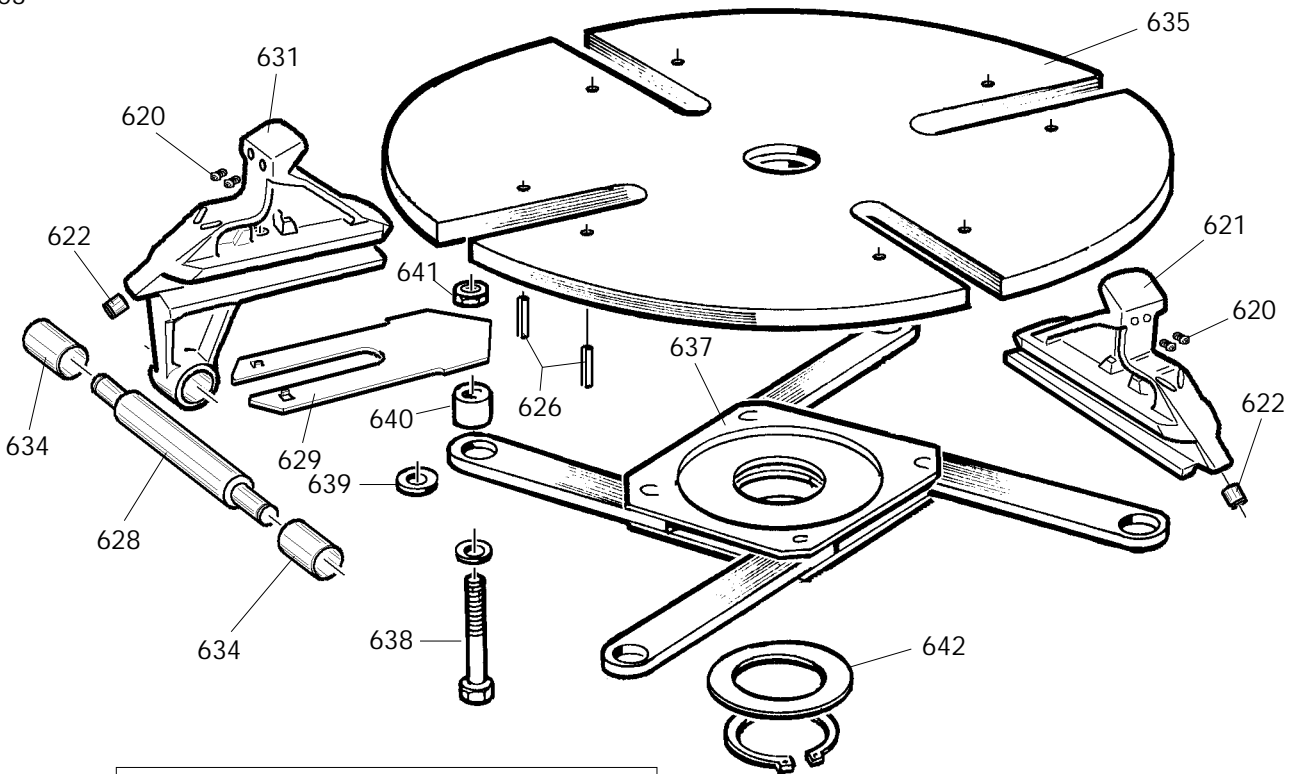
0600	900323363	RONDELLA	WASHER	UNTERLEGSCHEIBE	RONDELLE
0601	900426514	TAPPO	PLUG	STOPFEN	BOUCHON
0613	900238548	KIT GUARNIZIONI	SEALS KIT	DICHTUNGSATZ	KIT JOINTS
0636	900601216	VITE	SCREW	SCHRAUBE	VIS

9601	900253801	AUTOCENTRANTE T.I.	TURNTABLE T.I.	SPANNFUTTER T.I.	PLATEAU AUTOC. T.I.
9601	900253802	AUTOCENTRANTE	TURNTABLE	SPANNFUTTER	PLATEAU AUTOC.
0610	900437964	RONDELLA	WASHER	UNTERLEGSCHEIBE	RONDELLE
0619	900253758	PIATTO	PLATE	TELLER	PLAT
0620	900339146	PUNTE DI BLOCC.	LOCKING PEAK	FESTKLEMMENSPITZE	POINTE DE BLOCAGE
0621	900253815	APPOGGIO	RIM SUPPORT	STUETZE	APPUI
0621	900253813	APPOGGIO T.I.	RIM SUPPORT T.I.	STUETZE T.I.	APPUI T.I.
0622	900441100	RACCORDO	CONNECTOR	ANSCHLUSS	RACCORD
0624	900602199	VITE	SCREW	SCHRAUBE	VIS
0625	900253776	FLANGIA	FLANGE	FLANSCH	FLASQUE
0626	900601059	SPINA	PLUG	STECKER	FICHE
0627	900353803	BOCCOLA	BUSHING	LAGER	DOUILLE
0628	900353804	PERNO	PIN	ZAPFEN	PIVOT
0629	900354638	COPRIASOLA	COVER	LOCHSTOPFEN	BOUCHON
0630	900601276	DADO	NUT	MUTTER	ECROU
0631	900253812	APPOGGIO T.I.	RIM SUPPORT T.I.	STUETZE T.I.	APPUI T.I.
0631	900253814	APPOGGIO	RIM SUPPORT	STUETZE	APPUI
0634	900354308	TUBO	PIPE	ROHR	TUYAU
0635	900455082	RONDELLA	WASHER	UNTERLEGSCHEIBE	RONDELLE

9602	900253784	CILINDRO DESTRO	CYLINDER RIGHT	ZYLINDER	CYLINDRE
9602	900253783	CILINDRO SINISTRO	CYLINDER LEFT	ZYLINDER	CYLINDRE
0632	900441568	RACCORDO	CONNECTOR	ANSCHLUSS	RACCORD
0633	900443367	RACCORDO	CONNECTOR	ANSCHLUSS	RACCORD



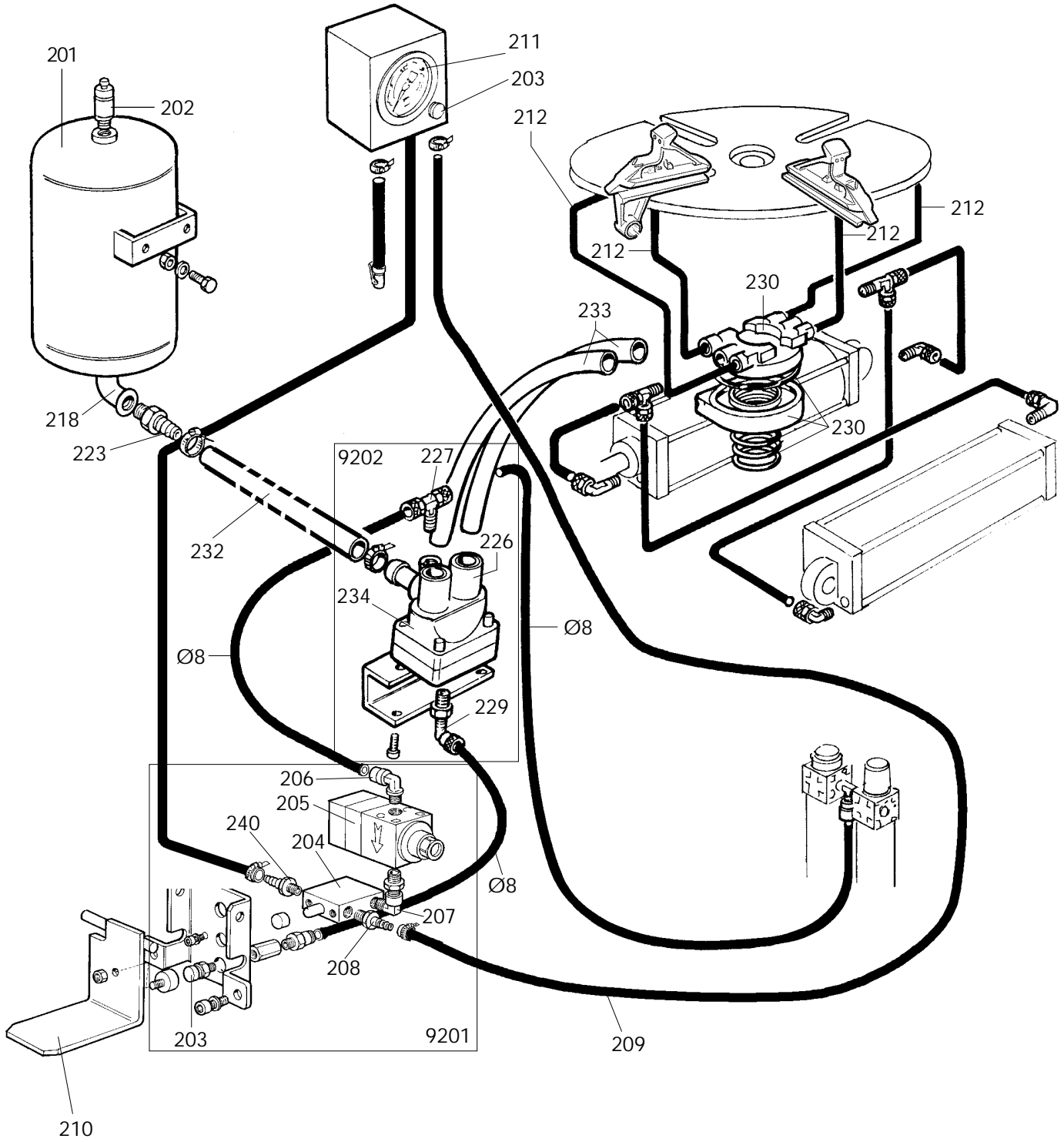
9603



0600	900323363	RONDELLA	WASHER	UNTERLEGSCHEIBE	RONDELLE
0601	900426514	TAPPO	PLUG	STOPFEN	BOUCHON
0613	900238548	KIT GUARNIZIONI	SEALS KIT	DICHTUNGSATZ	KIT JOINTS
0636	900601216	VITE	SCREW	SCHRAUBE	VIS

9603	900255068	AUTOCENTRANTE T.I.	TURNTABLE T.I.	SPANNFUTTER T.I.	PLATEAU AUTOC. T.I.
9603	900254745	AUTOCENTRANTE	TURNTABLE	SPANNFUTTER	PLATEAU AUTOC.
0620	900339146	PUNTE DI BLOCC.	LOCKING PEAK	FESTKLEMMENSPIITZE	POINTE DE BLOCAGE
0621	900253815	APPOGGIO	RIM SUPPORT	STUETZE	APPUI
0621	900253813	APPOGGIO T.I.	RIM SUPPORT T.I.	STUETZE T.I.	APPUI T.I.
0622	900441100	RACCORDO	CONNECTOR	ANSCHLUSS	RACCORD
0626	900601059	SPINA	PLUG	STECKER	FICHE
0628	900353804	PERNO	PIN	ZAPFEN	PIVOT
0629	900354638	COPRIASOLA	COVER	LOCHSTOPFEN	BOUCHON
0631	900253812	APPOGGIO T.I.	RIM SUPPORT T.I.	STUETZE T.I.	APPUI T.I.
0631	900253814	APPOGGIO	RIM SUPPORT	STUETZE	APPUI
0634	900354308	BOCCOLA	BUSHING	LAGER	DOUILLE
0635	900254650	PIATTO	PLATE	TELLER	PLAT
0637	900239167	FLANGIA	FLANGE	FLANSCH	FLASQUE
0638	900600224	VITE	SCREW	SCHRAUBE	VIS
0639	900437964	RONDELLA	WASHER	UNTERLEGSCHEIBE	RONDELLE
0640	900354744	BOCCOLA	BUSHING	LAGER	DOUILLE
0641	900601276	DADO	NUT	MUTTER	ECROU
0642	900425004	RONDELLA	WASHER	UNTERLEGSCHEIBE	RONDELLE

9604	900254653	CILINDRO DESTRO	CYLINDER RIGHT	ZYLINDER	CYLINDRE
9604	900254652	CILINDRO SINISTRO	CYLINDER LEFT	ZYLINDER	CYLINDRE
0632	900441568	RACCORDO	CONNECTOR	ANSCHLUSS	RACCORD
0633	900443367	RACCORDO	CONNECTOR	ANSCHLUSS	RACCORD

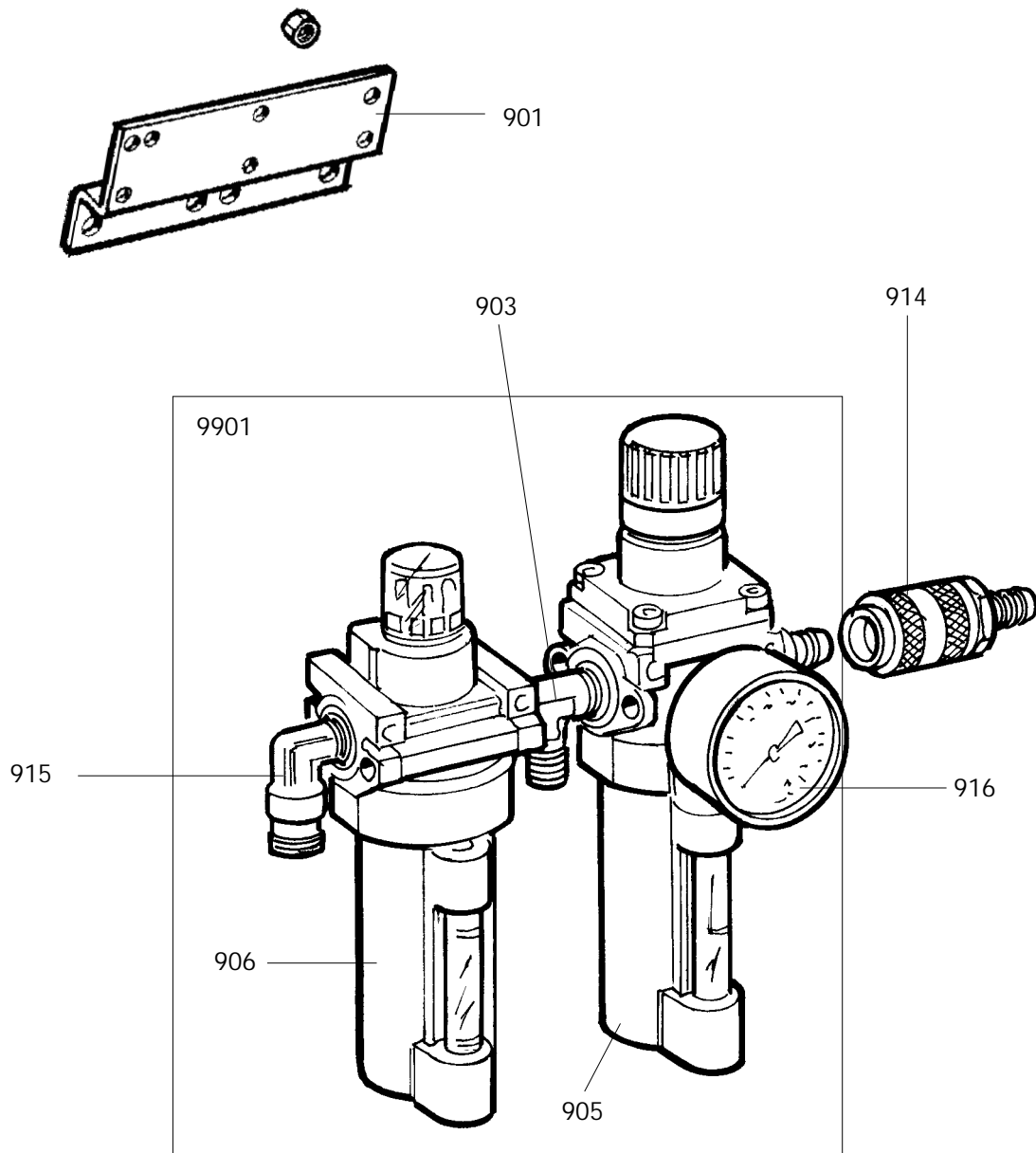


Ø 6	900701684	TUBO	PIPE	ROHR	TUYAU
Ø 8	900701683	TUBO	PIPE	ROHR	TUYAU
0201	900240968	SERBATOIO	TANK	TANK	RESERVOIR
0202	900435077	VALVOLA	VALVE	VENTIL	VANNE
0210	900252625	PEDALE	PEDAL	PEDAL	PEDALE
0212	900704223	TUBO	PIPE	ROHR	TUYAU
0218	900438995	RACCORDO	CONNECTOR	ANSCHLUSS	RACCORD
0223	900337704	RACCORDO	CONNECTOR	ANSCHLUSS	RACCORD

9202	900242290	VALVOLA	VALVE	VENTIL	VANNE
0226	900431993	CARTUCCIA	CARTRIDGE	EINSATZ	CARTOUCHE
0227	900438665	RACCORDO	CONNECTOR	ANSCHLUSS	RACCORD
0229	900441651	RACCORDO	CONNECTOR	ANSCHLUSS	RACCORD
0234	900243020	VALVOLA	VALVE	VENTIL	VANNE

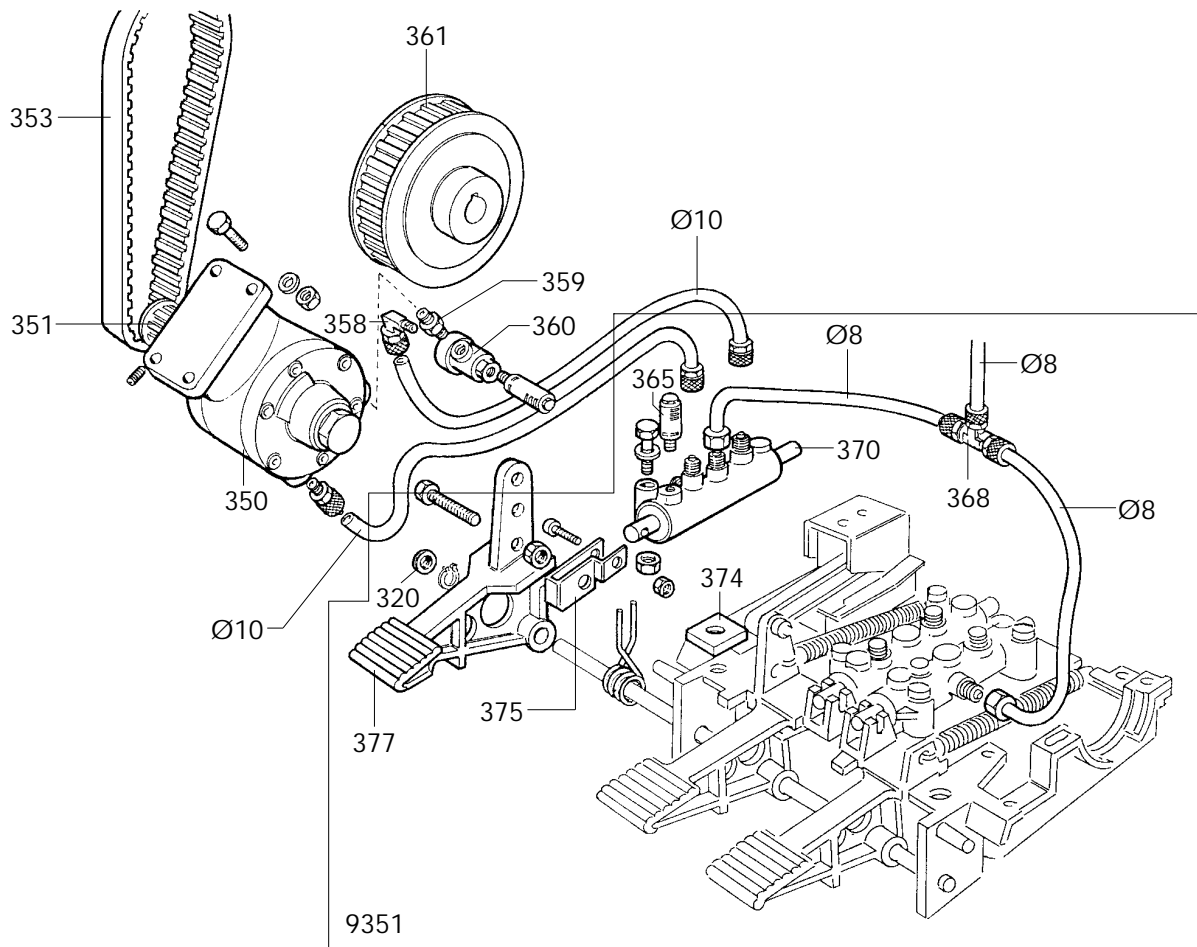
0230	900241841	RACCORDO	CONNECTOR	ANSCHLUSS	RACCORD
0232	900342288	TUBO	PIPE	ROHR	TUYAU
0233	900342289	TUBO	PIPE	ROHR	TUYAU

9201	900252568	GRUPPO gonfiaggio	ASSEMBLY	GRUPPE	GROUPE
0203	900235463	VALVOLA	VALVE	VENTIL	VANNE
0204	900452564	VALVOLA	VALVE	VENTIL	VANNE
0205	900452553	VALVOLA	VALVE	VENTIL	VANNE
0206	900450406	RACCORDO	CONNECTOR	ANSCHLUSS	RACCORD
0207	900418252	NIPPLO	CONNECTION	NIPPEL	NIPPLE
0208	900421137	INNESTO	CLUTCH	KUPPLUNG	EMBAYAGE
0209	900352614	TUBO aria	PIPE	ROHR	TUYAU
0211	900434175	MANOMETRO BAR	PRESSURE GAUGE	DRUCKMESSER	MANOMETRE
0211	900437831	MANOMETRO PSI	PRESSURE GAUGE	DRUCKMESSER	MANOMETRE



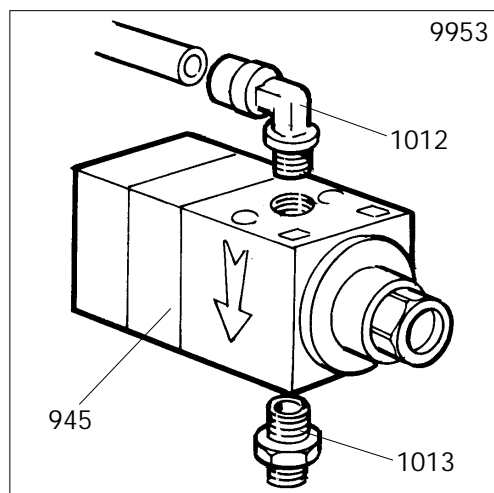
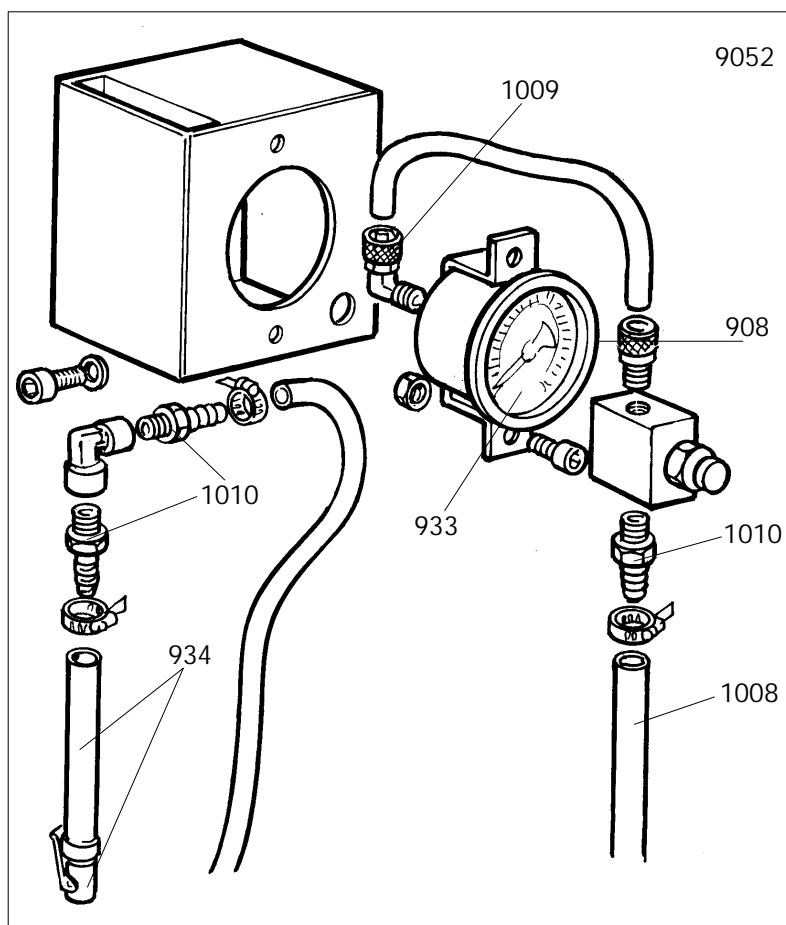
0901	900335695	STAFFA	BRACKET	KLAUE	ETRIER
0903	900433873	RACCORDO	CONNECTOR	ANSCHLUSS	RACCORD
9901	900441901	FILTRO	FILTER	FILTER	FILTRE
0905	900439376	BICCHIERE	BOWL	GLAS	BOL
0906	900439377	BICCHIERE	BOWL	GLAS	BOL
0914	900441899	GIUNTO	CUOPLING	KUPPLUNG	ACCOUPLLEMENT
0915	900438673	RACCORDO	CONNECTOR	ANSCHLUSS	RACCORD
0916	900434818	MANOMETRO	PRESSURE GAUGE	DRUCKMESSER	MANOMETRE





Ø8	900701683	TUBO	PIPE	ROHR	TUYAU
Ø10	900701875	TUBO	PIPE	ROHR	TUYAU
0350	900319135	MOTORE	MOTOR	MOTOR	MOTEUR
0351	900319076	PULEGGIA	PULLEY	RIEMENSCHIEBE	POULIE
0353	900425238	CINGHIA	BELT	RIEMEN	COURROIE
0358	900418350	RACCORDO	CONNECTOR	ANSCHLUSS	RACCORD
0359	900419142	NIPPLO	CONNECTION	NIPPEL	NIPPLE
0360	900419141	VALVOLA	VALVE	VENTIL	VANNE
0361	900319073	PULEGGIA	PULLEY	RIEMENSCHIEBE	POULIE

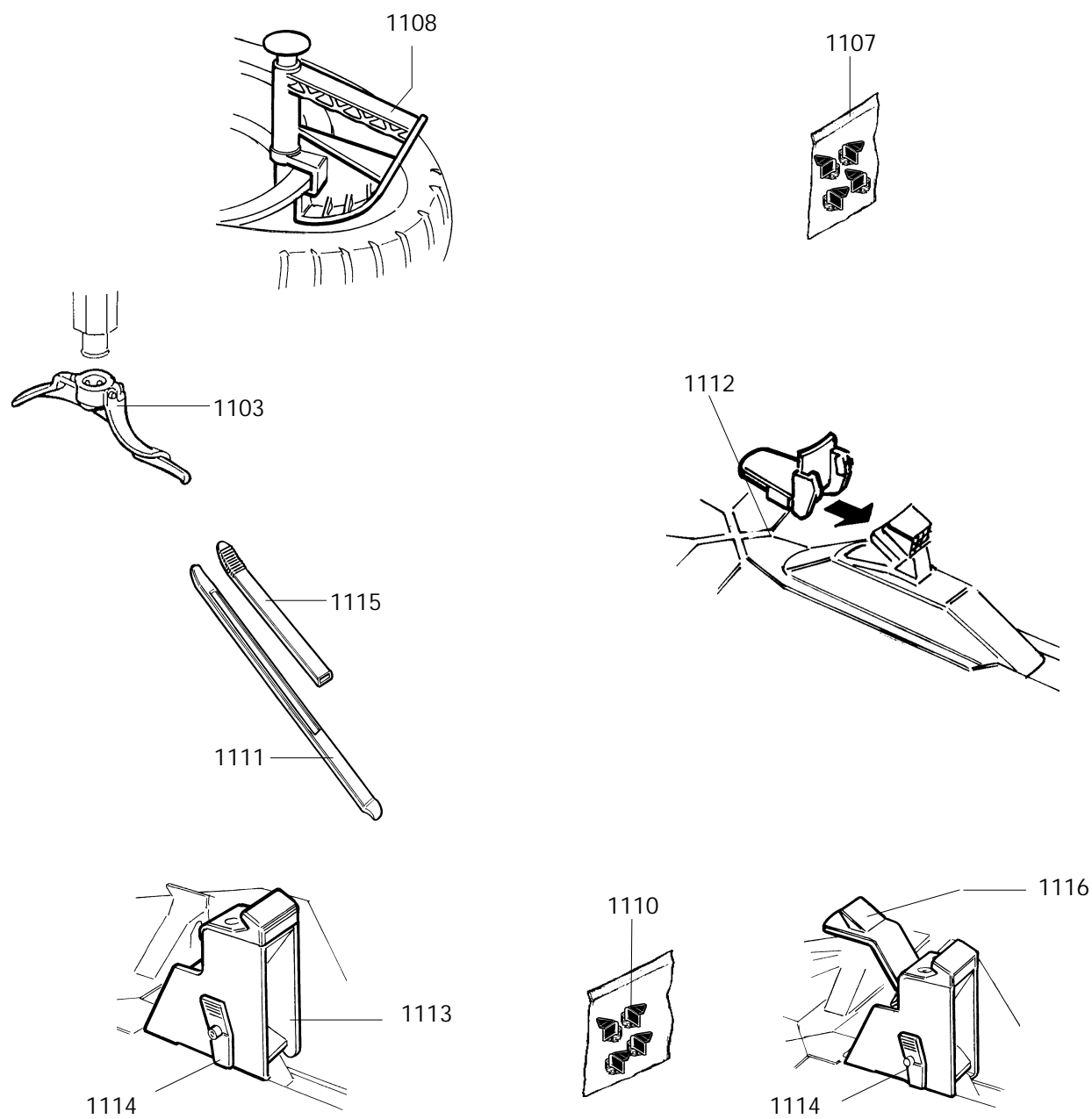
9351	900270526	PEDALIERA	CONTROL PEDAL	PEDALERIE	GR.PEDALES
0320	900452011	BOCCOLA	BUSHING	LAGER	DOUILLE
0365	900422682	SILENZIATORE	SILENCER	SCHALLDAEMPFER	SILENCIEUX
0368	900415860	RACCORDO	CONNECTOR	ANSCHLUSS	RACCORD
0370	900229059	RUBINETTO	COCK	HAHN	ROBINET
0374	900329058	PIASTRINA	PLATE	PLAETTCHEN	PLAQUETTE
0375	900331381	BIELLA	TRACE	PLEUELSTANGE	BIELLE
0377	900352029	PEDALE	PEDAL	PEDAL	PEDALE



Ø 6	900701684	TUBO	PIPE	ROHR	TUYAU
Ø 8	900701683	TUBO	PIPE	ROHR	TUYAU
Ø 10	900701875	TUBO	PIPE	ROHR	TUYAU

9952	900252598	SCATOLA - BAR	BOX - BAR	SCHACHTEL - BAR	BOITE - BAR
9952	900252599	SCATOLA - BAR/PSI	BOX - BAR/PSI	SCHACHTEL - BAR/PSI	BOITE - BAR/PSI
0934	900235462	TUBO	PIPE	ROHR	TUYAU
		MANOMETRO	PRESSURE GAUGE	DRUCKMESSER	MANOMETRE
0933	900434175	BAR	BAR	BAR	BAR
0933	900437831	BAR - PSI	BAR - PSI	BAR - PSI	BAR - PSI
0908	900235463	VALVOLA	VALVE	VENTIL	VANNE
1008	900352614	TUBO aria	PIPE	ROHR	TUYAU
1009	900434180	RACCORDO	CONNECTOR	ANSCHLUSS	RACCORD
1010	900421670	INNESTO	CLUTCH	KUPPLUNG	EMBRAYAGE

9953	801252558	VALVOLA	VALVE	VENTIL	VANNE
0945	900452553	VALVOLA	VALVE	VENTIL	VANNE
1012	900446939	RACCORDO	CONNECTOR	ANSCHLUSS	RACCORD
1013	900352557	RACCORDO	CONNECTOR	ANSCHLUSS	RACCORD



1103	900228563	TORRETTA	HEAD	DREHKOPF	TOUREL
1107	801242613	INSERTO	INSERT	EINLAGE	INSERT
1108	801435685	PINZA	PLIERS	ZANGE	PINCE
1110	801254342	PROTEZIONE	SHIELD	ABDECKUNG	PROTECTION
1111	900444238	LEVA	LEVER	HEBEL	LEVIER
1112	900441172	PROTEZIONE	SHIELD	ABDECKUNG	PROTECTION
1113	900240461	ATTACCO	ADAPTOR	HALTERUNG	ATTAQUE
1114	900440559	CRICCHETTO	CRICK	SPERRKLINKE	CLIQUET
1116	900241065	PROLUNGA	EXTENSION CORD	VERLANGERUNG	RALLONGE

Il disegno è realizzato con tutti i particolari ma solo quelli codificati sono forniti come ricambi. L'Azienda si riserva la facoltà di apportare modifiche senza preavviso.



S.S. 468 n°9 - 42015 Correggio (RE) ITALY  
Tel. ++39 0522 639111 - Fax ++39 0522 639150  
[www.corghi.com](http://www.corghi.com) - [info@corghi.com](mailto:info@corghi.com)

The drawing shows all parts but only the coded parts are supplied as spares. The Company reserves the right to make modifications without prior notice.