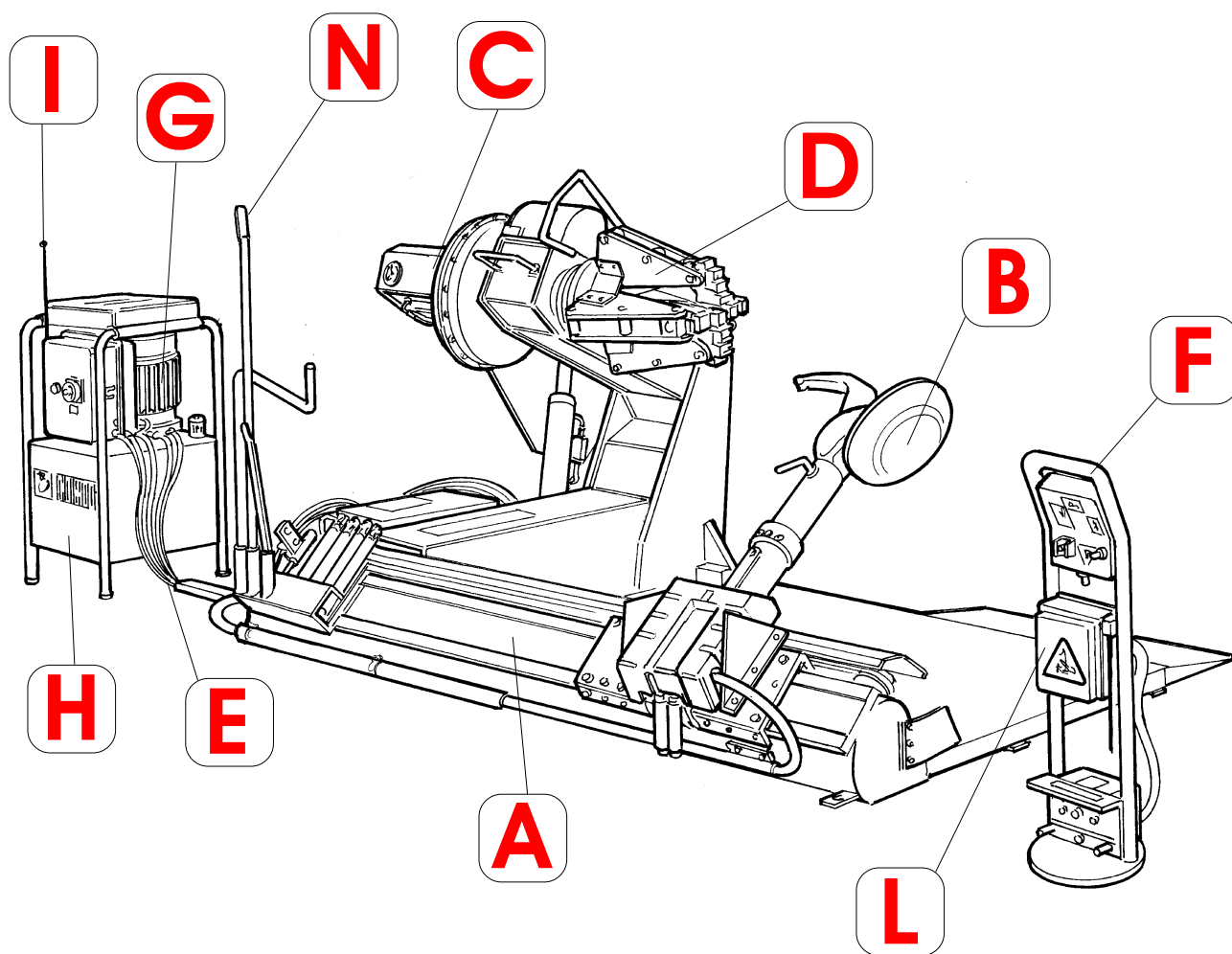


Questo libretto non autorizza l'utente ad intervenire sulle macchine ad esclusione di quanto esplicitamente descritto nel Manuale d'uso, ma consente all'utente di fornire informazioni precise all'Assistenza tecnica, al fine di ridurre i tempi di intervento.

HD 1200

The "Spare parts" booklet does not authorize the user to carry out work on the machine unless expressly specified in the instruction manual, but does enable him to provide accurate information to the assistance service in order to reduce downtime.

PEZZI DI RICAMBIO SPARE PARTS LIST ERSATZTEILLISTE PIECES DE RECHANGE



Versione

2.0

In produzione da
Production from
Herstellung ab
Production

05 / 99

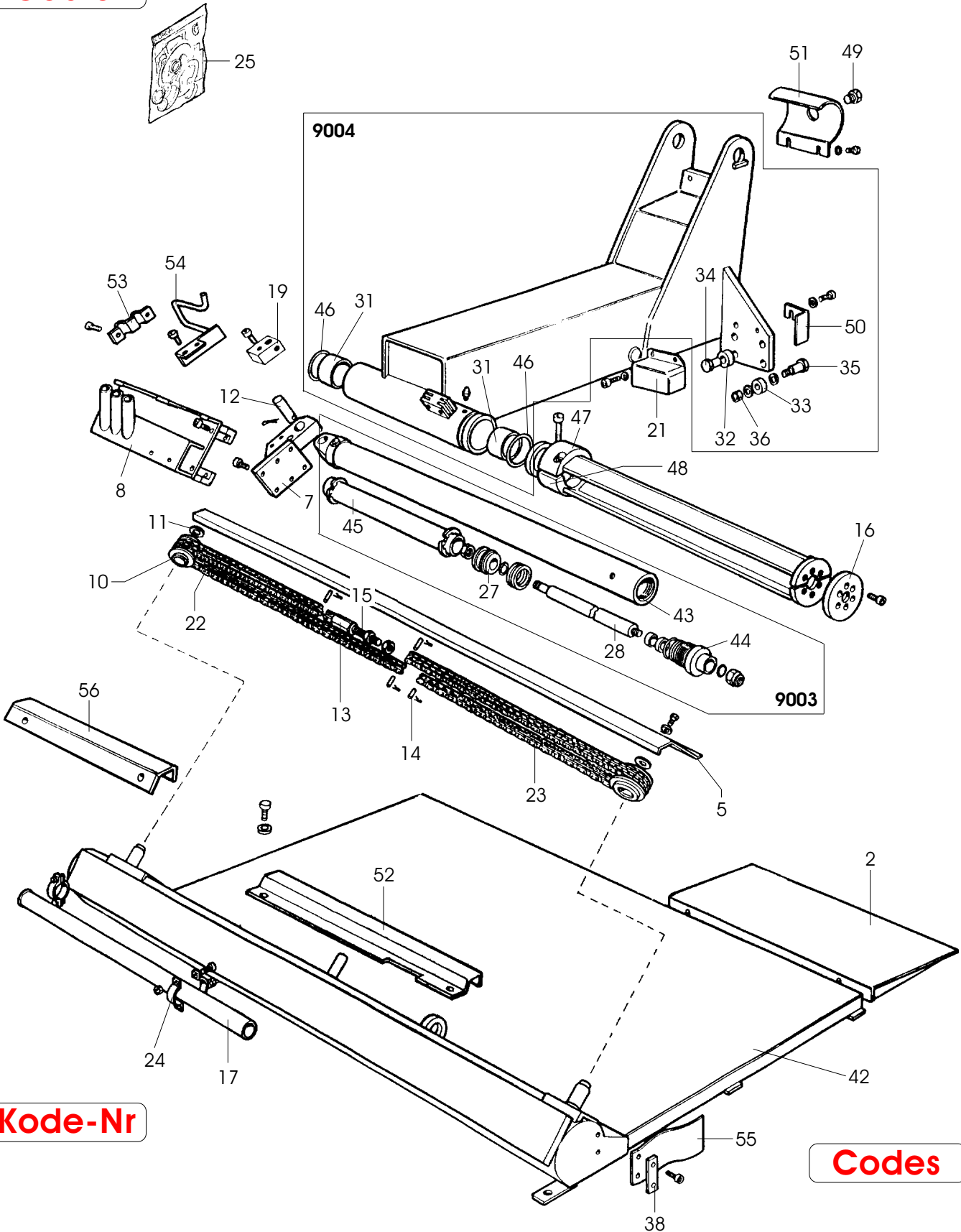
Der Katalog Ersatzteile stellt keine Genehmigung zu eigenmächtigen Eingriffen dar (mit Ausnahme jener im Handbuch beschriebenen), sondern er soll den Anwender in die Lage versetzen, dem technischen Service präzise Informationen zu liefern, um die Reparaturzeiten zu verkürzen.



Le livret "Pièces de rechange", n'autorise pas l'utilisateur à intervenir sur les machines, sauf pour tout ce qui est clairement décrit dans le manuel d'utilisation, mais lui permet de fournir des informations précises à l'assistance technique, afin de diminuer les délais d'intervention.

Codici

Codes



Kode-Nr

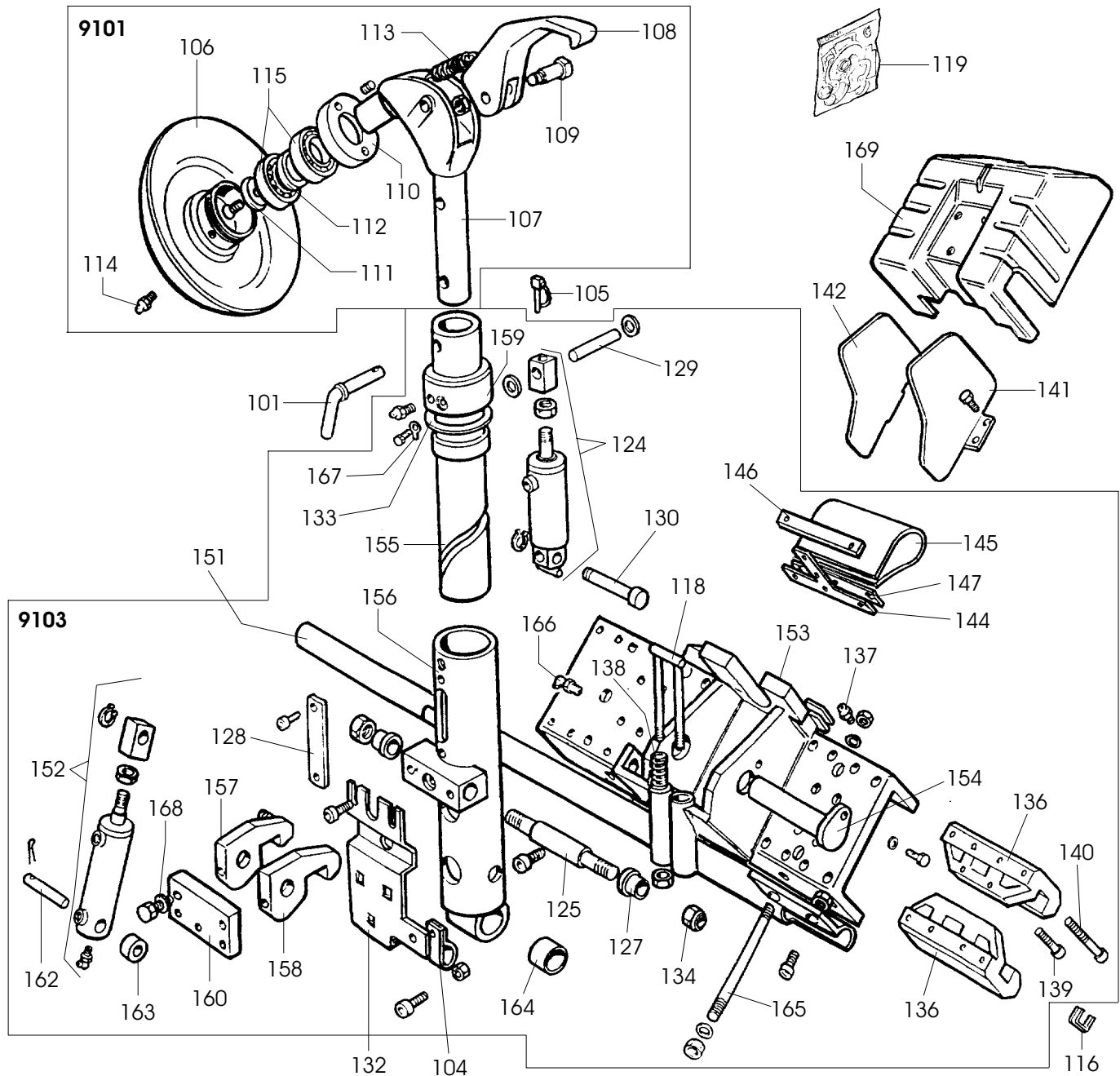
Codes

| | | | | | |
|------|-----------|-----------------|-------------|------------------|------------|
| 0002 | 900238827 | RAMPA | RAMP | RAMPE | RAMPE |
| 0005 | 900338387 | CARTER | CASING | GEHAUSE | CARTER |
| 0007 | 900238545 | APPOGGIO | RIM SUPPORT | STUETZE | APPUI |
| 0008 | 900239282 | LAMIERA | METAL SHEET | BLECH | TOLE |
| 0010 | 900240982 | PULEGGIA | PULLEY | RIEMENSCHLEIBE | POULIE |
| 0011 | 900338712 | RONDELLA | WASHER | UNTERLEGSCHLEIBE | RONDELLE |
| 0012 | 900338732 | PERNO | PIN | ZAPFEN | PIVOT |
| 0013 | 900338733 | TENDITORE | TIGHTENER | SPANNER | TENDEUR |
| 0014 | 900339217 | PERNO | PIN | ZAPFEN | PIVOT |
| 0015 | 900339218 | BARRA | BAR | STANGE | BARRE |
| 0016 | 900339297 | ANELLO | RING | RING | ANNEAU |
| 0017 | 900339643 | PROTEZIONE | SHIELD | ABDECKUNG | PROTECTION |
| 0019 | 900340202 | BLOCCHETTO | BLOCK | BLOCK | BLOC |
| 0021 | 900438544 | CARENATURA | FAIRING | VERKLEIDUNG | CARENAGE |
| 0022 | 900439633 | CATENA | CHAIN | KETTE | CHAINE |
| 0023 | 900439634 | CATENA | CHAIN | KETTE | CHAINE |
| 0024 | 900440241 | COLLARE | COLLIER | SCHELLE | COLLIER |
| 0025 | 900242014 | KIT GUARNIZIONI | SEALS KIT | DICHTUNGSSATZ | KIT JOINTS |

| 9003 | 900242398 | CILINDRO | CYLINDER | ZYLINDER | CYLINDRE |
|-------------|------------------|-----------------|-----------------|-----------------|-----------------|
| 0027 | 900338682 | STANTUFFO | PISTON | KOLBEN | PISTON |
| 0028 | 900338683 | STELO | STEM | SCHAFT | TIGE |
| 0043 | 900242399 | CILINDRO | CYLINDER | ZYLINDER | CYLINDRE |
| 0044 | 900238686 | FLANGIA | FLANGE | FLANSCH | FLASQUE |
| 0045 | 900242401 | TUBO | PIPE | ROHR | TUYAU |

| 9004 | 900242413 | BRACCIO | ARM | ARM | BRAS |
|-------------|------------------|----------------|------------|------------|----------------|
| 0031 | 900438762 | BOCCOLA | BUSHING | LAGER | DOUILLE |
| 0032 | 900338753 | ROTELLA | WHEEL | RAEDCHEN | ROULETTE |
| 0033 | 900338754 | ROTELLA | WHEEL | RAEDCHEN | ROULETTE |
| 0034 | 900338752 | PERNO | PIN | ZAPFEN | PIVOT |
| 0035 | 900601901 | VITE | SCREW | SCHRAUBE | VIS |
| 0036 | 900438756 | BOCCOLA | BUSHING | LAGER | DOUILLE |
| 0046 | 900442417 | GUARNIZIONE | SEAL | DICHTUNG | JOINT |
| 0050 | 900342892 | RASCHIAPOLVERE | SCRAPER | SCHABER | RACLEPOUSSIERE |

| | | | | | |
|------|-----------|------------|----------|--------------|------------|
| 0038 | 900341448 | TRAFILATO | DRAWN | GEZOGEN | TREFILE |
| 0042 | 900242385 | BASAMENTO | BEDPLATE | UNTERGESTELL | BATI |
| 0047 | 900242895 | TIRANTE | STAY ROD | ZUGSTANGE | TIRANT |
| 0048 | 900242896 | TIRANTE | STAY ROD | ZUGSTANGE | TIRANT |
| 0049 | 900435315 | TAPPO | PLUG | STOPFEN | BOUCHON |
| 0051 | 900342409 | PROTEZIONE | SHIELD | ABDECKUNG | PROTECTION |
| 0052 | 900343022 | PROTEZIONE | SHIELD | ABDECKUNG | PROTECTION |
| 0053 | 900244727 | FERMO | RETAINER | ANSCHLAG | ARRET |
| 0054 | 900245608 | SUPPORTO | SUPPORT | LAGER | SUPPORT |
| 0055 | 900342882 | GOMMA | GUM | GUMMI | CAOUTCHOUC |
| 0056 | 900340573 | PROTEZIONE | SHIELD | ABDECKUNG | PROTECTION |



| | | | | | |
|------|-----------|----------|----------|----------|----------|
| 0101 | 900238138 | FERMO | RETAINER | ANSCHLAG | ARRET |
| 0104 | 900441730 | COLLARE | COLLIER | SCHELLE | COLLIER |
| 0105 | 900440207 | COPIGLIA | COTTER | SPLINT | GOUPILLE |

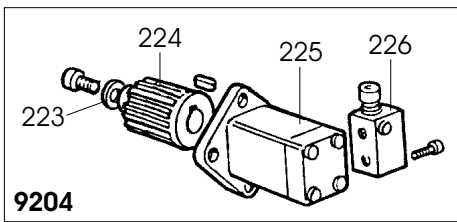
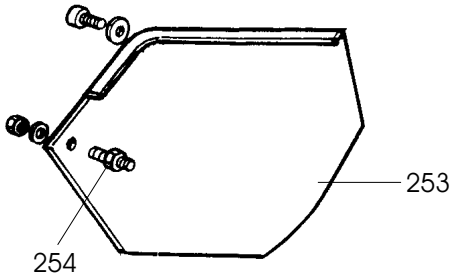
| 9101 | 900236486 | UTENSILE | TOOL | WERKZEUG | OUTIL |
|------|-----------|--------------|------------|-----------------|------------|
| 0106 | 900236453 | DISCO | DISK | SCHEIBE | DISQUE |
| 0107 | 900236485 | SUPPORTO | SUPPORT | LAGER | SUPPORT |
| 0108 | 900237503 | UTENSILE | TOOL | WERKZEUG | OUTIL |
| 0109 | 900336480 | FULCRO | FULCRUM | DREHPUNKT | ENTABLURE |
| 0110 | 900337002 | GHIERA | NUT | NUTMUTTER | BAGUE |
| 0111 | 900337003 | RONDELLA | WASHER | UNTERLEGSCHIEBE | RONDELLE |
| 0112 | 900337004 | DISTANZIALE | SPACER | ABSTANDSSTUECK | ENTRETOISE |
| 0113 | 900421596 | MOLLA | SPRING | FEDER | RESSORT |
| 0114 | 900429406 | INGRASSATORE | LUBRICATOR | SCHMIERNIPPEL | GRAISSEUR |
| 0115 | 900601831 | CUSCINETTO | BEARING | LAGER | ROULEMENT |

0116 900438416 GUARNIZIONE SEAL DICHTUNG JOINT

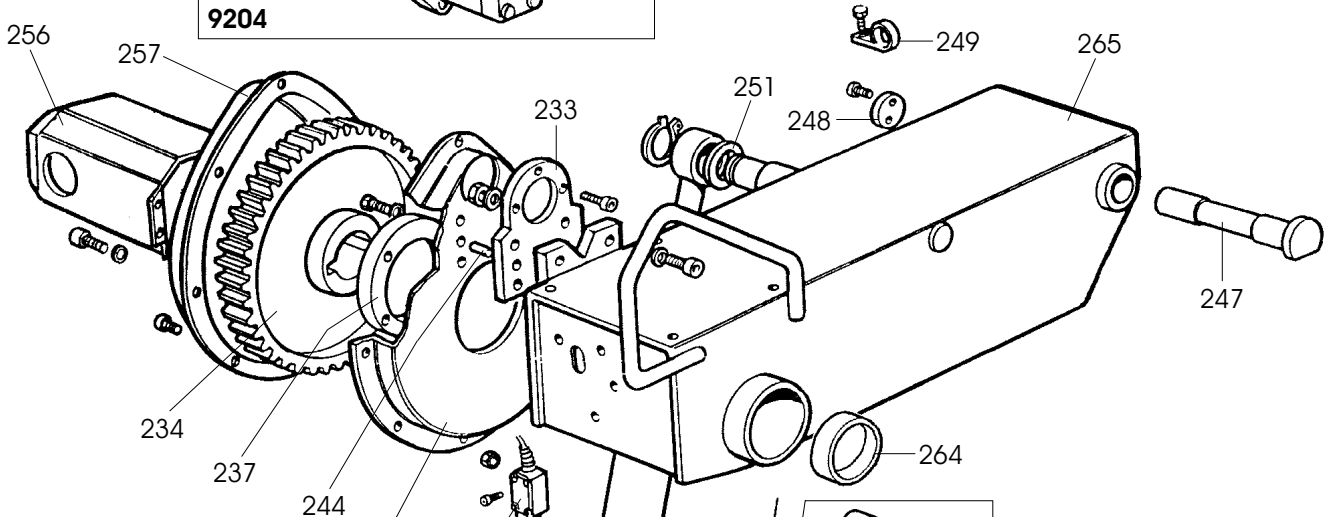
| 9103 | 900239300 | CARRELLO | TROLLEY | WAGEN | CHARIOT |
|-------------|------------------|-----------------|----------------|-----------------|-------------------|
| 0118 | 900238451 | CAVALLOTTO | U-BOLT | BUEGELBOLZEN | CRAMPILLON JOINTS |
| 0124 | 900238492 | CILINDRO | CYLINDER | ZYLINDER | CYLINDRE |
| 0125 | 900338461 | PERNO | PIN | ZAPFEN | PIVOT |
| 0127 | 900338463 | BOCCOLA | BUSHING | LAGER | DOUILLE |
| 0128 | 900338464 | PROTEZIONE | SHIELD | ABDECKUNG | PROTECTION |
| 0129 | 900338465 | PERNO | PIN | ZAPFEN | PIVOT |
| 0130 | 900338466 | PERNO | PIN | ZAPFEN | PIVOT |
| 0133 | 900340570 | RONDELLA | WASHER | UNTERLEGSCHIEBE | RONDELLE |
| 0134 | 900422677 | DADO | NUT | MUTTER | ECROU |
| 0136 | 900338417 | PATTINO | PAD | GLEITSTCHUH | PATIN |
| 0137 | 900439580 | INGRASSATORE | LUBRICATOR | SCHMIERNIPPEL | GRAISSEUR |
| 0138 | 900439581 | MOLLA | SPRING | FEDER | RESSORT |
| 0139 | 900601054 | VITE | SCREW | SCHRAUBE | VIS |
| 0140 | 900601055 | VITE | SCREW | SCHRAUBE | VIS |
| 0144 | 900241505 | SUPPORTO | SUPPORT | LAGER | SUPPORT |
| 0145 | 900341512 | GOMMA | GUM | GUMMI | CAOUTCHOUC |
| 0146 | 900341509 | TRAFILATO | DRAWN | GEZOGEN | TREFILE |
| 0147 | 900341508 | TRAFILATO | DRAWN | GEZOGEN | TREFILE |
| 0152 | 900242347 | CILINDRO | CYLINDER | ZYLINDER | CYLINDRE |
| 0153 | 900242386 | CARRELLO | TROLLEY | WAGEN | CHARIOT |
| 0154 | 900242392 | PERNO | PIN | ZAPFEN | PIVOT |
| 0155 | 900244088 | ASTUCCIO | BOX | ETUI | ETUI |
| 0156 | 900242394 | ASTUCCIO | BOX | ETUI | ETUI |
| 0157 | 900242868 | CRICCHETTO | CRICK | SPERRKLINKE | CLIQUET |
| 0158 | 900342866 | CRICCHETTO | CRICK | SPERRKLINKE | CLIQUET |
| 0159 | 900338462 | FLANGIA | FLANGE | FLANSCH | FLASQUE |
| 0160 | 900242908 | TRAFILATO | DRAWN | GEZOGEN | TREFILE |
| 0162 | 900342355 | FULCRO | FULCRUM | DREHPUNKT | ENTABLURE |
| 0163 | 900342357 | DISTANZIALE | SPACER | ABSTANDSSTUECK | ENTRETOISE |
| 0164 | 900442353 | BOCCOLA | BUSHING | LAGER | DOUILLE |
| 0165 | 900342356 | TIRANTE | STAY ROD | ZUGSTANGE | TIRANT |
| 0166 | 900442380 | INGRASSATORE | LUBRICATOR | SCHMIERNIPPEL | GRAISSEUR |
| 0167 | 900442343 | RONDELLA | WASHER | UNTERLEGSCHIEBE | RONDELLE |
| 0168 | 900442338 | RONDELLA | WASHER | UNTERLEGSCHIEBE | RONDELLE |

0119 900242015 KIT GUARNIZIONI SEALS KIT DICHTUNGSATZ KIT
0132 900341790 STAFFA BRACKET KLAUE ETRIER
0141 900341796 CARENATURA FAIRING VERKLEIDUNG CARENAGE
0142 900341795 CARENATURA FAIRING VERKLEIDUNG CARENAGE
0169 900442644 CARTER CASING GEHAUSE CARTER
0151 900242880 PROTEZIONE SHIELD ABDECKUNG PROTECTION

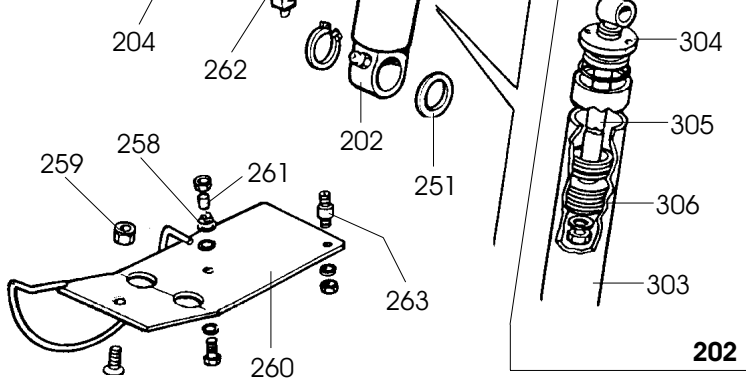
Codici



Codes



Kode-Nr



Codes

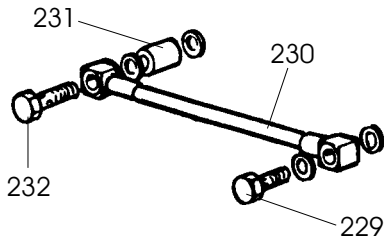
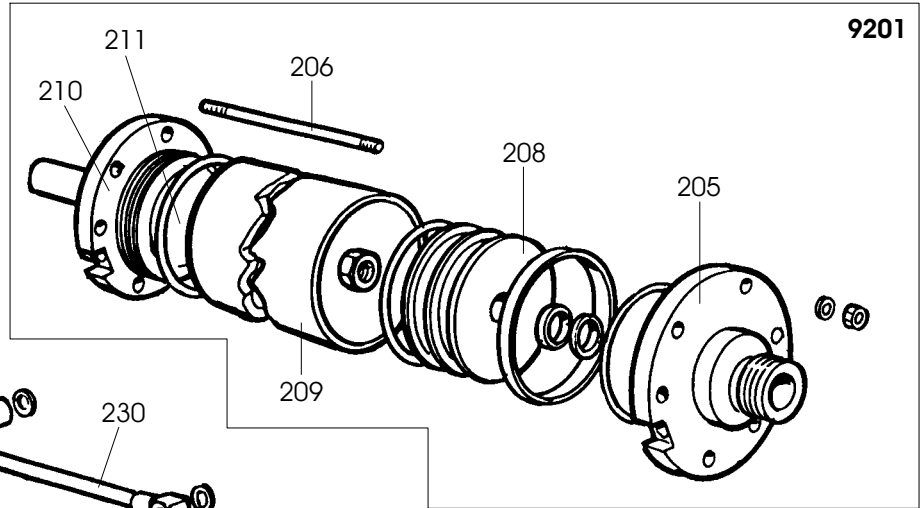
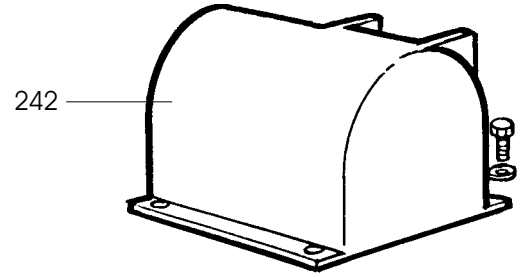
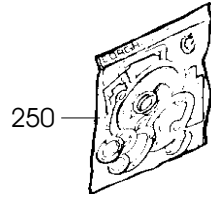
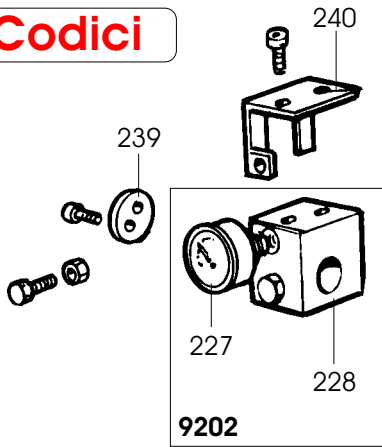
| 0202 | 900242920 | CILINDRO | CYLINDER | ZYLINDER | CYLINDRE |
|------|-----------|-----------|----------|----------|----------|
| 0303 | 900238606 | CILINDRO | CYLINDER | ZYLINDER | CYLINDRE |
| 0304 | 900238611 | FLANGIA | FLANGE | FLANSCH | FLASQUE |
| 0305 | 900238613 | STELO | STEM | SCHAFT | TIGE |
| 0306 | 900238616 | STANTUFFO | PISTON | KOLBEN | PISTON |

0204 900339510 CARTER CASING GEHAUSE CARTER

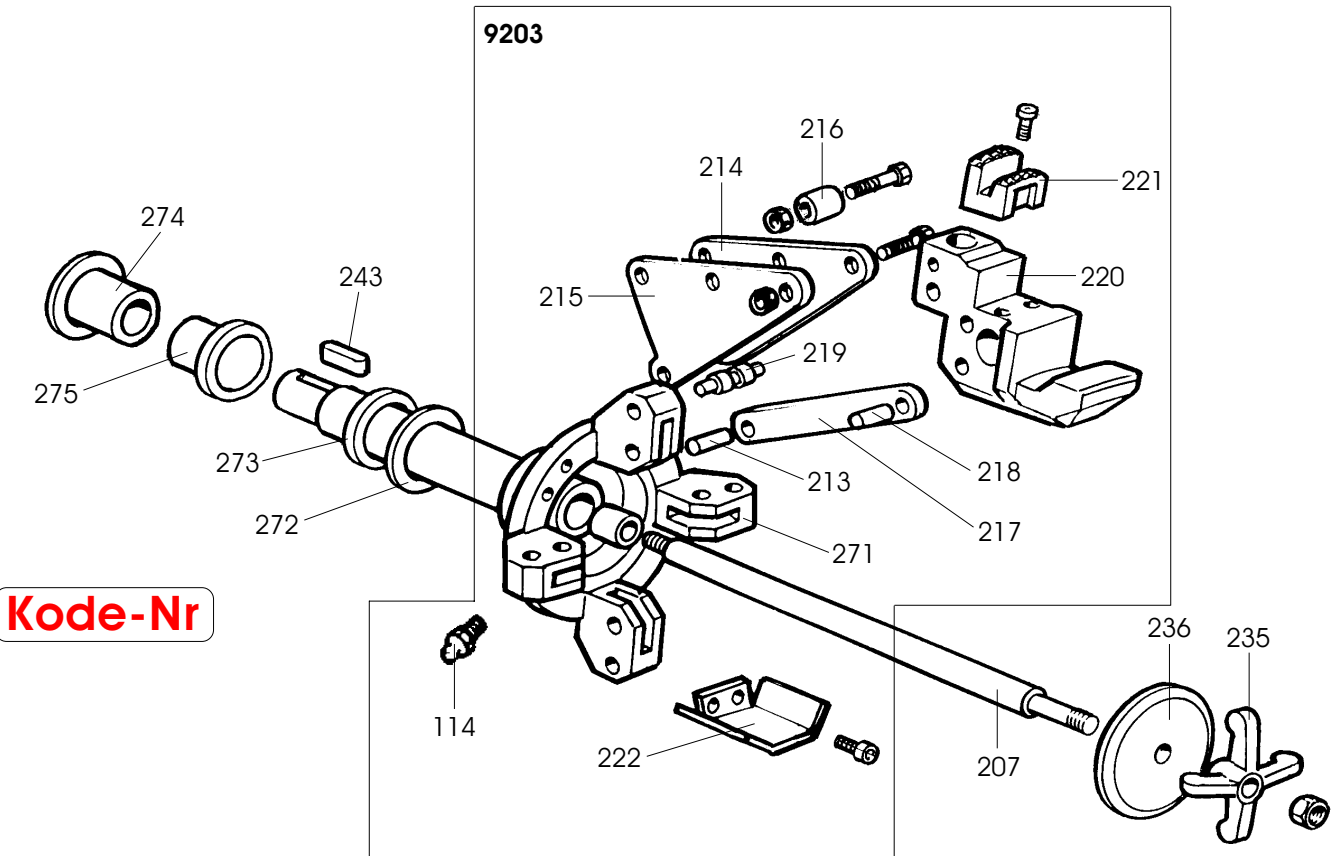
| 9204 | 900239590 | MOTORE | MOTOR | MOTOR | MOTEUR |
|------|-----------|-------------|-----------|-----------------|------------|
| 0223 | 900339100 | RONDELLA | WASHER | UNTERLEGSCHIEBE | RONDELLE |
| 0224 | 900339298 | INGRANAGGIO | GEAR | ZAHNRADGETRIEBE | ENGRENAGE |
| 0225 | 900439567 | MOTORE | MOTOR | MOTOR | MOTEUR |
| 0226 | 900439591 | STROZZATORE | THROTTLER | DROSSELKLAPPE | ETRANGLEUR |

0233 900338588 STAFFA BRACKET KLAUE ETRIER
0234 900338596 INGRANAGGIO GEAR ZAHNRADGETRIEBE ENGRENAGE
0237 900338602 FLANGIA FLANGE FLANSCH FLASQUE
0244 900601938 SPINA ELASTICA PIN SPANNSTIFT CHEVILLE
0247 900341680 PERNO PIN ZAPFEN PIVOT
0248 900341681 RONDELLA WASHER UNTERLEGSCHIEBE RONDELLE
0249 900441731 COLLARE COLLIER SCHELLE COLLIER
0251 900338751 RONDELLA WASHER UNTERLEGSCHIEBE RONDELLE
0253 900445813 PROTEZIONE SHIELD ABDECKUNG PROTECTION
0254 900345824 VITE SCREW SCHRAUBE VIS
0256 900245575 CARTER CASING GEHAUSE CARTER
0257 900339509 CARTER CASING GEHAUSE CARTER
0258 900439697 MOLLA SPRING FEDER RESSORT
0259 900345883 CONTRASTO CONTRAST KONTRAST CONTRASTE
0260 900245621 SUPPORTO SUPPORT LAGER SUPPORT
0261 900344485 DISTANZIALE SPACER ABSTANDSSTUECK ENTRETOISE
0262 900422041 INTERRUTTORE SWITCH SCHALTER INTERRUPTEUR
0263 900443794 ANTIVIBRANTE VIBRATION DAMPER SCHWINGUNGSDAEMPFER ANTI-VIBRATION
0264 900438582 BRONZINA BRASS LAGERBUCHSE COUSSINET EN BRONZE
0265 900255622 BRACCIO ARM ARM BRAS

Codici



Codes



Kode-Nr

Codes

| 9201 | 900239119 | CILINDRO | CYLINDER | ZYLINDER | CYLINDRE |
|-------------|------------------|-----------------|-----------------|-----------------|-----------------|
| 0205 | 900239118 | FLANGIA | FLANGE | FLANSCH | FLASQUE |
| 0206 | 900334204 | TIRANTE | STAY ROD | ZUGSTANGE | TIRANT |
| 0207 | 900338599 | STELO | STEM | SCHAFT | TIGE |
| 0208 | 900338604 | STANTUFFO | PISTON | KOLBEN | PISTON |
| 0209 | 900338710 | CILINDRO | CYLINDER | ZYLINDER | CYLINDRE |
| 0210 | 900338777 | FLANGIA | FLANGE | FLANSCH | FLASQUE |
| 0211 | 900440357 | TAPPO | PLUG | STOPFEN | BOUCHON |

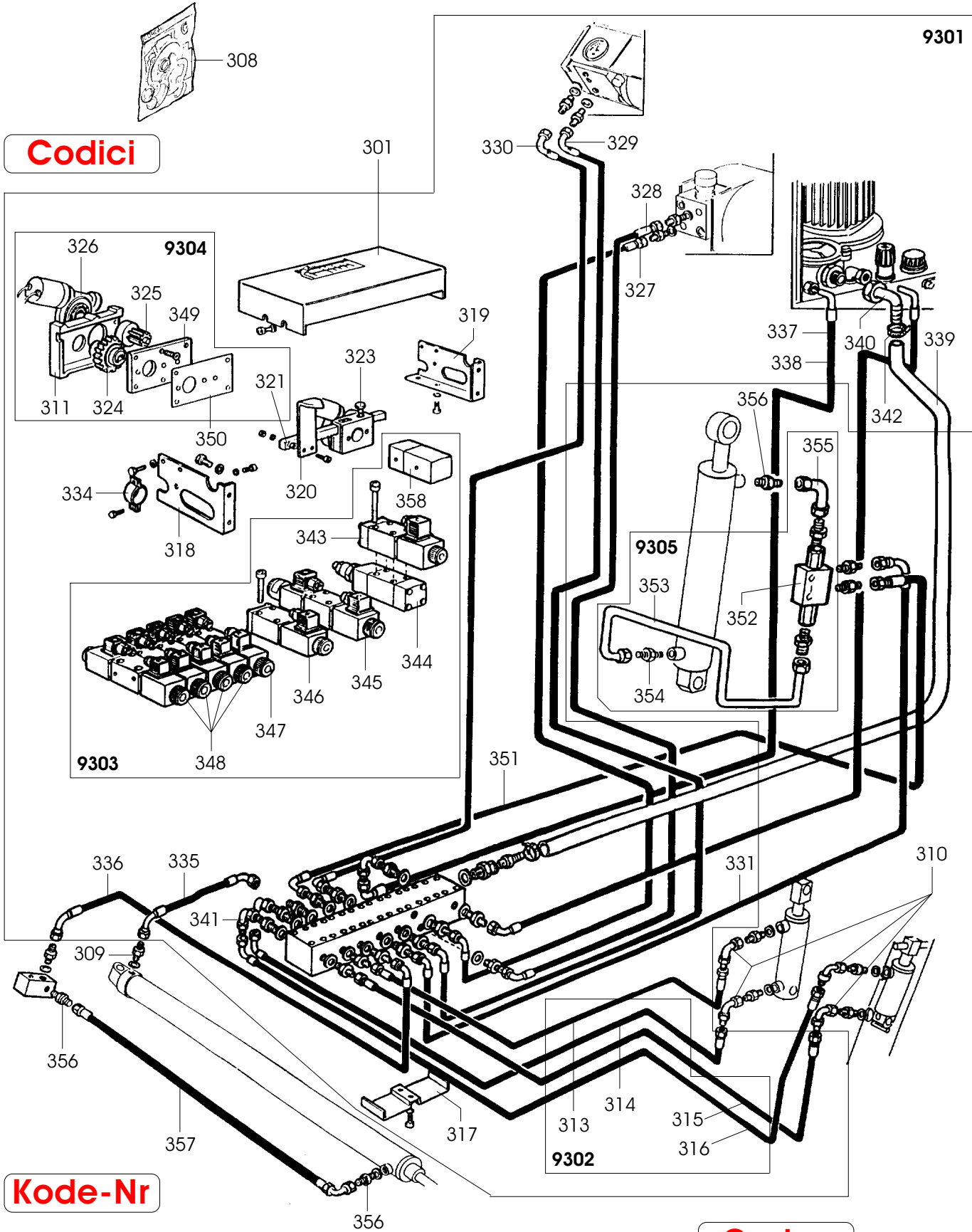
| 9203 | 900239428 | AUTOCENTRANTE | TURNTABLE | SPANNFUTTER | PLATEAU AUTOCENTREUR |
|-------------|------------------|----------------------|------------------|--------------------|-----------------------------|
| 0114 | 900429406 | INGRASSATORE | LUBRICATOR | SCHMIERNIPPEL | GRAISSEUR |
| 0213 | 900321564 | SPINOTTO | GUDGEON | KOLBENBOLZEN | GOUJON |
| 0214 | 900334156 | PIASTRA | SLAB | PLATTE | PLAQUE |
| 0215 | 900334157 | PIASTRA | SLAB | PLATTE | PLAQUE |
| 0216 | 900334160 | DISTANZIALE | SPACER | ABSTANDSSTUECK | ENTRETOISE |
| 0217 | 900334163 | BIELLA | TRACE | PLEUELSTANGE | BIELLE |
| 0218 | 900334164 | SPINOTTO | GUDGEON | KOLBENBOLZEN | GOUJON |
| 0219 | 900334170 | RULLO | ROLLER | WALZE | ROULEAU |
| 0220 | 900334201 | SUPPORTO | SUPPORT | LAGER | SUPPORT |
| 0221 | 900421556 | GRIFFA | JAW | BACKE | MORS |
| 0222 | 900341289 | CARTER | CASING | GEHAUSE | CARTER |
| 0271 | 900354329 | MANDRINO | SPINDLE | SPINDEL | MANDRIN |

| 9202 | 900239596 | DISTRIBUTORE | DISTRIBUTOR | VERTEILER | DISTRIBUTEUR |
|-------------|------------------|---------------------|--------------------|------------------|---------------------|
| 0227 | 900426474 | MANOMETRO | PRESSURE GAUGE | DRUCKMESSER | MANOMETRE |
| 0228 | 900440387 | DISTRIBUTORE | DISTRIBUTOR | VERTEILER | DISTRIBUTEUR |

| | | | | | |
|------|-----------|-----------------|----------------|-----------------|---------------------|
| 0229 | 900322489 | PERNO | PIN | ZAPFEN | PIVOT |
| 0230 | 900434426 | TUBO | PIPE | ROHR | TUYAU |
| 0231 | 900335283 | PROLUNGA | EXTENSION CORD | VERLAENGERUNG | RALLONGE |
| 0232 | 900335284 | VITE | SCREW | SCHRAUBE | VIS |
| 0235 | 900338600 | CROCE | CROSS | KREUZ | CROIX |
| 0236 | 900338601 | DISCO | DISK | SCHEIBE | DISQUE |
| 0239 | 900338778 | RONDELLA | WASHER | UNTERLEGSCHIEBE | RONDELLE |
| 0240 | 900339538 | FERMO | RETAINER | ANSCHLAG | ARRET |
| 0242 | 900439517 | CARENATURA | FAIRING | VERKLEIDUNG | CARENAGE |
| 0243 | 900601162 | LINGUETTA | TANG | FEDERKEIL | LANGUETTE |
| 0250 | 900242012 | KIT GUARNIZIONI | SEALS KIT | DICHTUNGSATZ | KIT JOINTS |
| 0272 | 900355174 | ANELLO | RING | RING | ANNEAU |
| 0273 | 900354976 | RONDELLA | WASHER | UNTERLEGSCHIEBE | RONDELLE |
| 0274 | 900355175 | BRONZINA | BRASS | LAGERBUCHSE | COUSSINET EN BRONZE |
| 0275 | 900453344 | BRONZINA | BRASS | LAGERBUCHSE | COUSSINET EN BRONZE |

Codes

Codici



Kode-Nr

Codes

| | | | | | |
|------|-----------|-----------------|------------|--------------|------------|
| 0301 | 900240088 | CARENATURA | FAIRING | VERKLEIDUNG | CARENAGE |
| 0308 | 900242013 | KIT GUARNIZIONI | SEALS KIT | DICHTUNGSATZ | KIT JOINTS |
| 0309 | 900417628 | ADATTATORE | ADAPTER | ADAPTER | ADAPTATEUR |
| 0310 | 900439579 | NIPPLO | CONNECTION | NIPPEL | NIPPLE |

| | | | | | |
|-------------|------------------|-----------------------|-----------------------|---------------------|---------------------------|
| 9301 | 900241872 | ELETTRIVALVOLA | SOLENOID VALVE | MAGNETVENTIL | SOUPAPE ELECTRIQUE |
|-------------|------------------|-----------------------|-----------------------|---------------------|---------------------------|

| 9304 | 900242621 | RIDUTTORE | GEAR BOX | GETRIEBE | REDUCTEUR |
|-------------|------------------|------------------|-----------------|-----------------|------------------|
| 0311 | 900340184 | CARTER | CASING | GEHAUSE | CARTER |
| 0321 | 900340186 | CURSORE | SLIDER | SCHIEBER | CURSEUR |
| 0324 | 900440188 | INGRANAGGIO | GEAR | ZAHNRADGETRIEBE | ENGRENAGE |
| 0325 | 900440189 | INGRANAGGIO | GEAR | ZAHNRADGETRIEBE | ENGRENAGE |
| 0326 | 900440196 | MOTORE | MOTOR | MOTOR | MOTEUR |
| 0349 | 900342617 | LAMIERA | METAL SHEET | BLECH | TOLE |

| 9302 | 900241547 | TUBO | PIPE | ROHR | TUYAU |
|-------------|------------------|-------------|-------------|-------------|--------------|
| 0313 | 900440768 | TUBO | PIPE | ROHR | TUYAU |
| 0314 | 900440769 | TUBO | PIPE | ROHR | TUYAU |
| 0315 | 900440770 | TUBO | PIPE | ROHR | TUYAU |
| 0316 | 900440771 | TUBO | PIPE | ROHR | TUYAU |

| | | | | | |
|------|-----------|------------|--------------|-----------------|------------|
| 0317 | 900340084 | PROTEZIONE | SHIELD | ABDECKUNG | PROTECTION |
| 0318 | 900340085 | SUPPORTO | SUPPORT | LAGER | SUPPORT |
| 0319 | 900340086 | SUPPORTO | SUPPORT | LAGER | SUPPORT |
| 0320 | 900340185 | INDICATORE | STATUS LIGHT | ANZEIGER | INDICATEUR |
| 0323 | 900421227 | GRANO | GRUB SCREW | MADENSCHRAUBE | ERGOT |
| 0327 | 900440631 | TUBO | PIPE | ROHR | TUYAU |
| 0328 | 900440761 | TUBO | PIPE | ROHR | TUYAU |
| 0329 | 900440762 | TUBO | PIPE | ROHR | TUYAU |
| 0330 | 900440763 | TUBO | PIPE | ROHR | TUYAU |
| 0331 | 900440764 | TUBO | PIPE | ROHR | TUYAU |
| 0334 | 900441258 | COLLARE | COLLIER | SCHELLE | COLLIER |
| 0335 | 900440766 | TUBO | PIPE | ROHR | TUYAU |
| 0336 | 900440767 | TUBO | PIPE | ROHR | TUYAU |
| 0337 | 900440772 | TUBO | PIPE | ROHR | TUYAU |
| 0338 | 900440773 | TUBO | PIPE | ROHR | TUYAU |
| 0339 | 900440777 | TUBO | PIPE | ROHR | TUYAU |
| 0340 | 900440792 | SUPPORTO | SUPPORT | LAGER | SUPPORT |
| 0341 | 900440791 | CURVA | ELBOW | KURVE | COURBE |
| 0342 | 900440793 | FASCETTA | STRAP | SCHLAUCHSCHELLE | COLLIER |

| 9303 | 900440195 | PIASTRA | SLAB | PLATTE | PLAQUE |
|-------------|------------------|----------------|----------------|---------------|----------------|
| 0343 | 900441578 | ELETTRIVALVOLA | SOLENOID VALVE | MAGNETVENTIL | SOUPAPE ELECT. |
| 0344 | 900440901 | VALVOLA | VALVE | VENTIL | VANNE |
| 0345 | 900440904 | ELETTRIVALVOLA | SOLENOID VALVE | MAGNETVENTIL | SOUPAPE ELECT. |
| 0346 | 900440899 | ELETTRIVALVOLA | SOLENOID VALVE | MAGNETVENTIL | SOUPAPE ELECT. |
| 0347 | 900440905 | ELETTRIVALVOLA | SOLENOID VALVE | MAGNETVENTIL | SOUPAPE ELECT. |
| 0348 | 900440906 | ELETTRIVALVOLA | SOLENOID VALVE | MAGNETVENTIL | SOUPAPE ELECT. |
| 0358 | 900440903 | VALVOLA | VALVE | VENTIL | VANNE |

| | | | | | |
|------|-----------|---------|-------------|-------|-------|
| 0350 | 900342618 | LAMIERA | METAL SHEET | BLECH | TOLE |
| 0351 | 900442992 | TUBO | PIPE | ROHR | TUYAU |

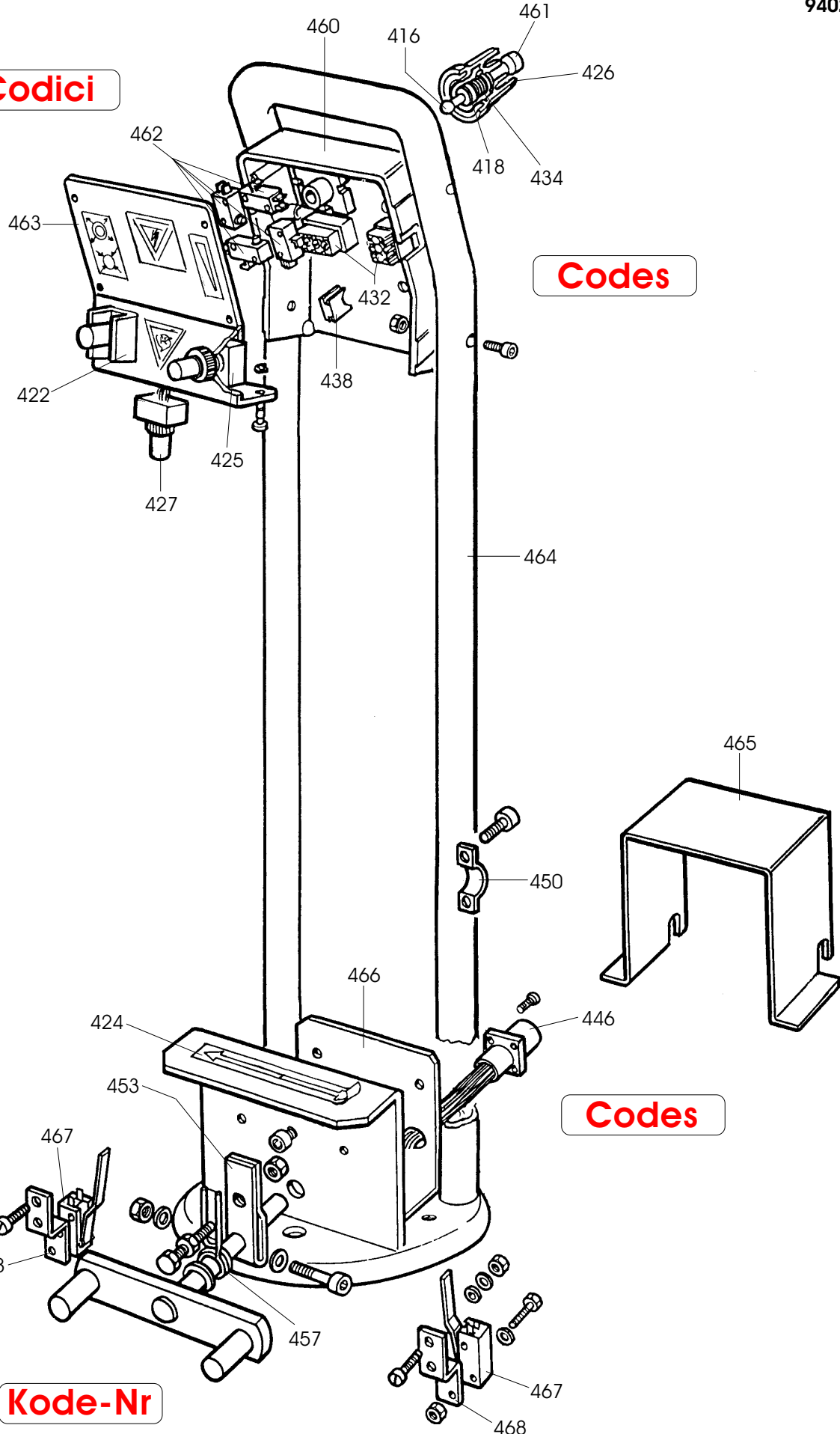
| 9305 | 900243157 | VALVOLA | VALVE | VENTIL | VANNE |
|-------------|------------------|----------------|--------------|---------------|--------------|
| 0352 | 900242911 | VALVOLA | VALVE | VENTIL | VANNE |
| 0353 | 900342923 | TUBO | PIPE | ROHR | TUYAU |
| 0354 | 900442919 | RACCORDO | CONNECTOR | ANSCHLUSS | RACCORD |
| 0355 | 900443535 | RACCORDO | CONNECTOR | ANSCHLUSS | RACCORD |

| | | | | | |
|------|-----------|------------|---------|---------|------------|
| 0356 | 900417627 | ADATTATORE | ADAPTER | ADAPTER | ADAPTATEUR |
| 0357 | 900442461 | TUBO | PIPE | ROHR | TUYAU |

Codici

Codes

Codes

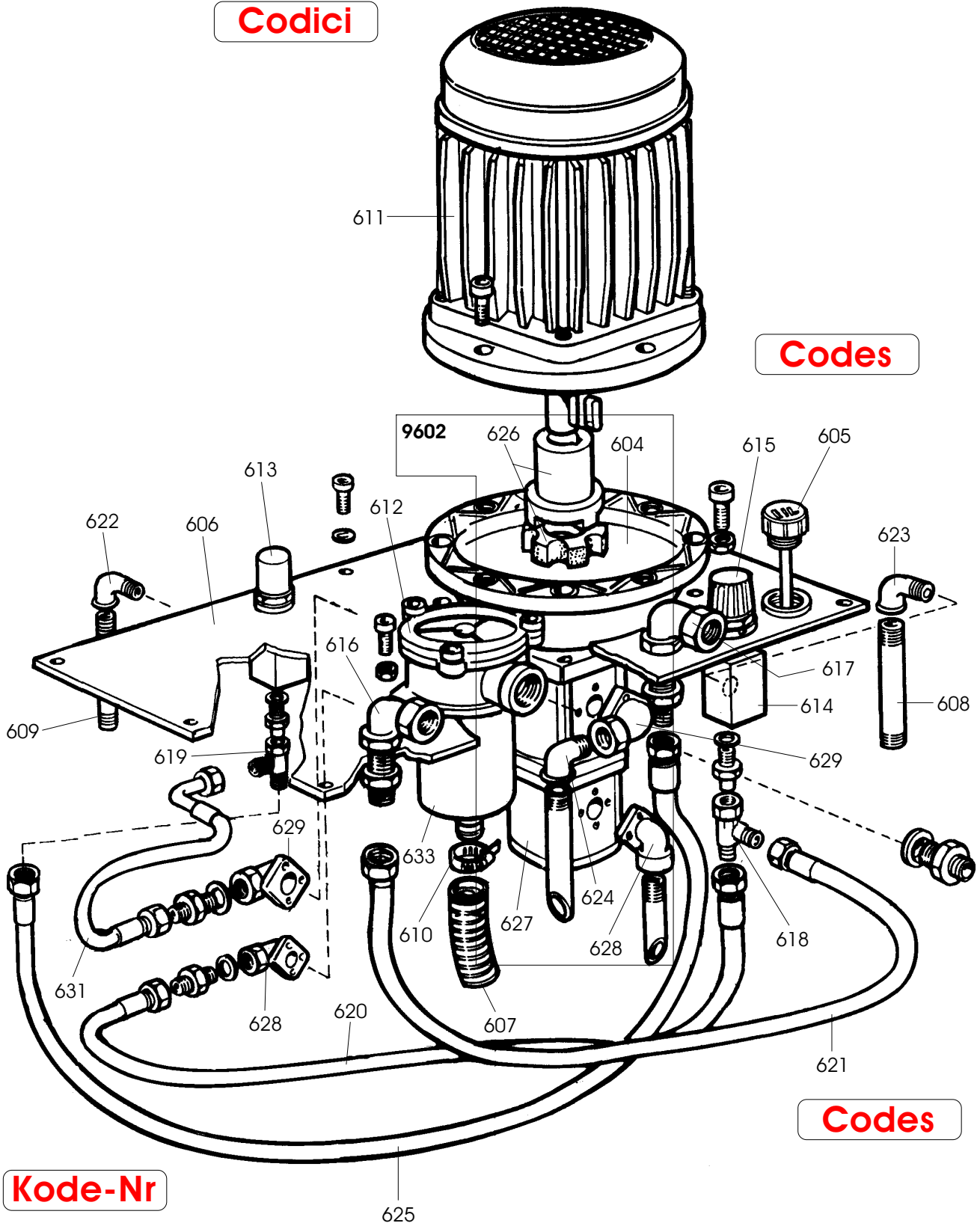


| 9402 | 900244851 | MANIPOLATORE | MANIPULATOR | MANIPULATOR | MANIPULATEUR |
|------|-----------|-----------------|-------------|-----------------|-----------------|
| 0416 | 900339000 | LEVA | LEVER | HEBEL | LEVIER |
| 0418 | 900339002 | GUIDA | GUIDE | FUEHRUNG | GLISSIERE |
| 0422 | 900340747 | PROTEZIONE | SHIELD | ABDECKUNG | PROTECTION |
| 0424 | 900421502 | TARGHETTA | DATA PLATE | TYPENSCHILD | PLAQUETTE |
| 0425 | 900424798 | DEVIATORE | SWITCH | SCHALTER | COMMUTATEUR |
| 0426 | 900435301 | PROTEZIONE | SHIELD | ABDECKUNG | PROTECTION |
| 0427 | 900437517 | CAPPUCCIO | CAP | KAPUZE | CAPUCHON |
| 0432 | 900439569 | INTERRUTTORE | SWITCH | SCHALTER | INTERRUPTEUR |
| 0434 | 900439697 | MOLLA | SPRING | FEDER | RESSORT |
| 0438 | 900441518 | PROTEZIONE | SHIELD | ABDECKUNG | PROTECTION |
| 0446 | 900439698 | CONNETTORE | CONNECTOR | VERBINDER | CONNECTEUR |
| 0450 | 900338372 | FASCETTA | STRAP | SCHLAUCHSCHELLE | COLLIER |
| 0453 | 900317491 | LEVA | LEVER | HEBEL | LEVIER |
| 0457 | 900401270 | MOLLA | SPRING | FEDER | RESSORT |
| 0460 | 900255791 | SUPPORTO | SUPPORT | LAGER | SUPPORT |
| 0461 | 900355781 | POMOLO | KNOB | BALLENGRIFF | POMMEAU |
| 0462 | 900454405 | MICROINTERRUTT. | MICROSWITCH | MIKROSCHALTER | MICROINTERRUPT. |
| 0463 | 900355779 | COPERCHIO | LID | DECKEL | COUVERCLE |
| 0464 | 900255783 | PEDALE | PEDAL | PEDAL | PEDALE |
| 0465 | 900355788 | CARTER | CASING | GEHAUSE | CARTER |
| 0466 | 900355800 | LAMIERA | METAL SHEET | BLECH | TOLE |
| 0467 | 900440874 | MICROINTERRUTT. | MICROSWITCH | MIKROSCHALTER | MICROINTERRUPT. |
| 0468 | 900355786 | STAFFA | BRACKET | KLAUE | ETRIER |

9601

Codici

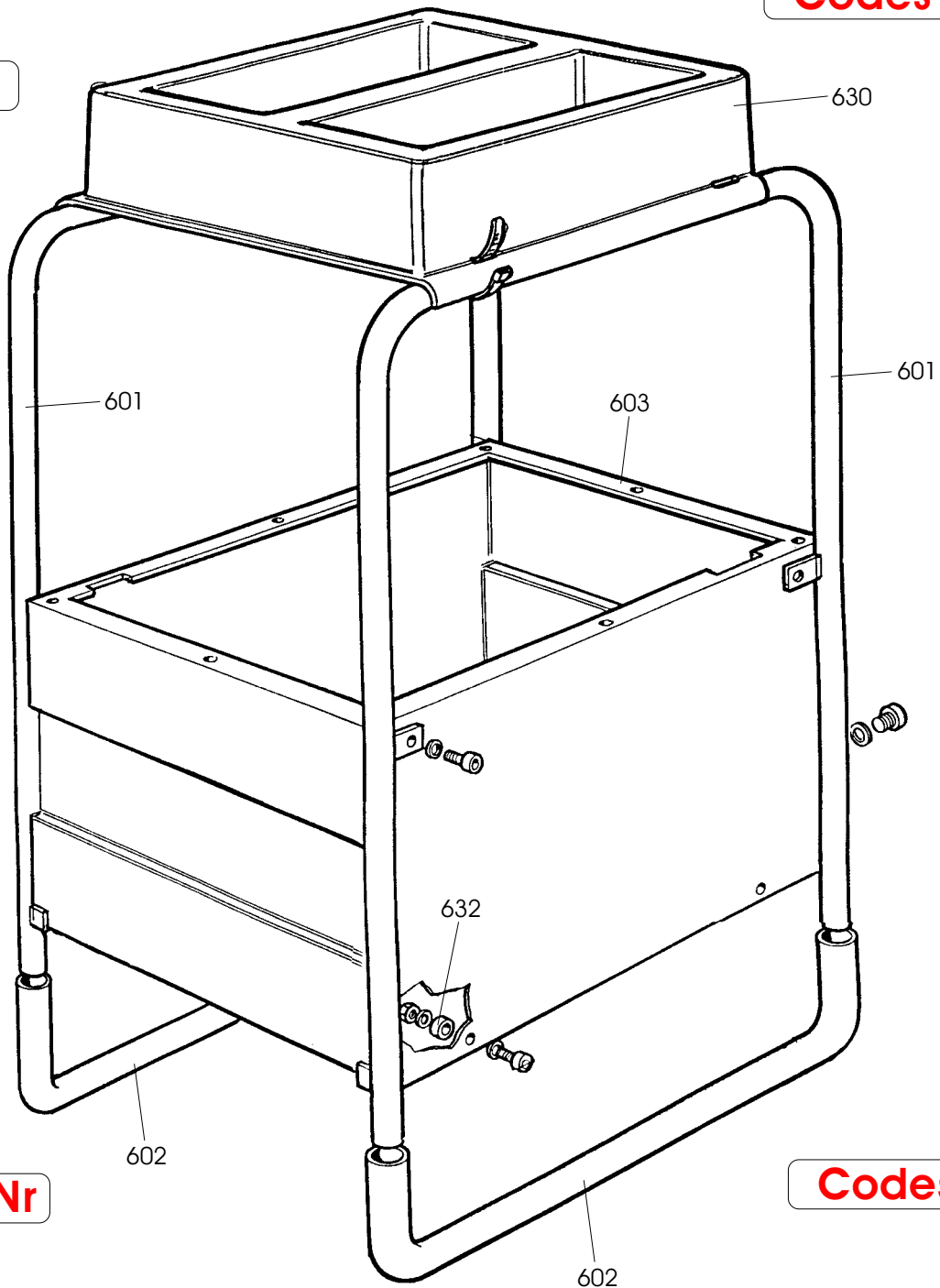
Codes




Codes

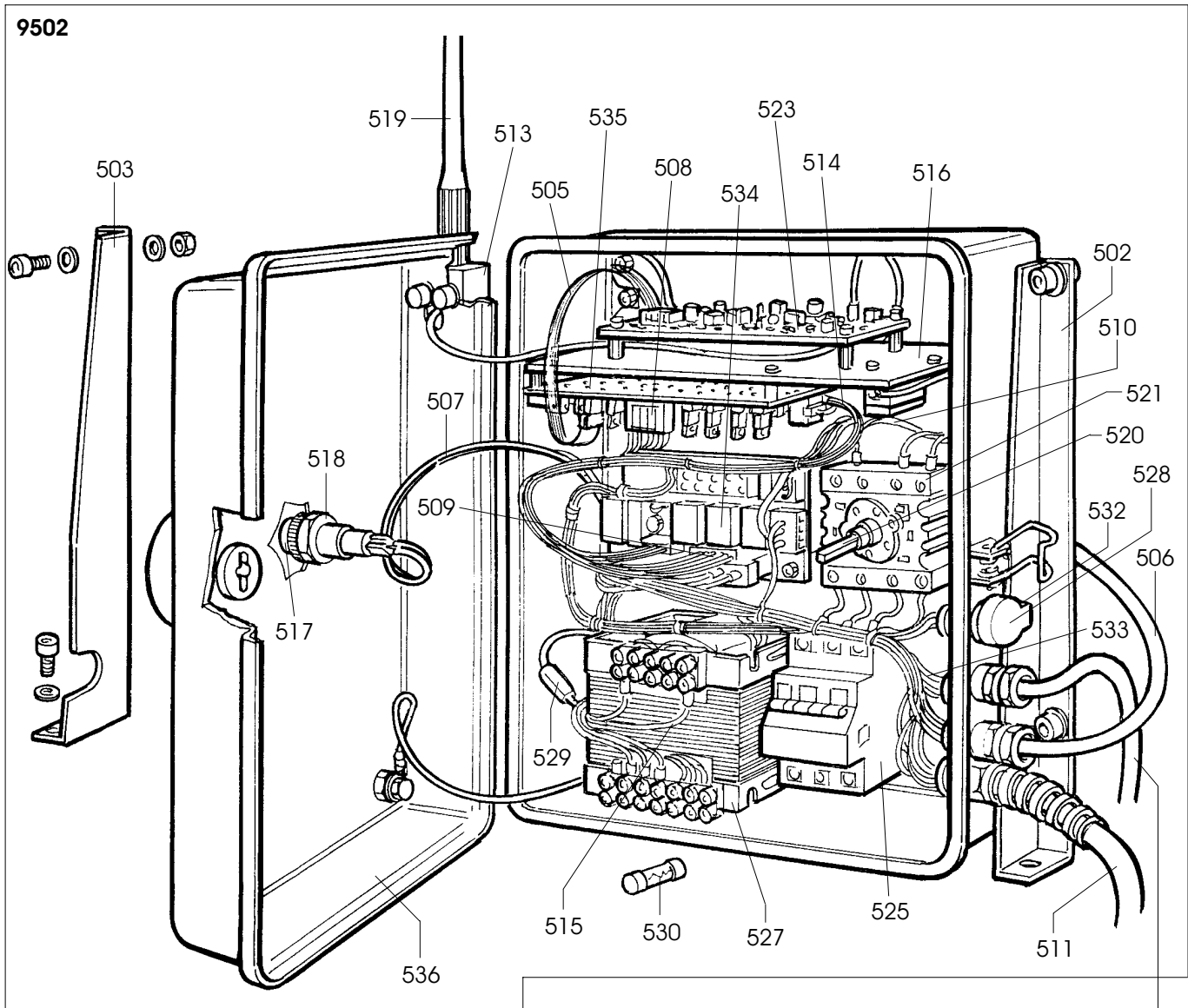
Kode-Nr

| No. | CODICE | DESCRIZIONE | DESCRIPTION | BESCHREIBUNG | DESCRIPTION |
|-------------|------------------|------------------|------------------|------------------|------------------|
| 9601 | 900240106 | COPERCHIO | LID | DECKEL | COUVERCLE |
| 9602 | 900240116 | GRUPPO | ASSEMBLY | GRUPPE | GROUPE |
| 0604 | 900440119 | CAMPANA | BELL | GLOCKE | CLOCHE |
| 0624 | 900440830 | CURVA | ELBOW | KURVE | COURBE |
| 0626 | 900440112 | GIUNTO | COUPLING | KUPPLUNG | ACCOUPLERM. |
| 0627 | 900440118 | POMPA 50HZ | PUMP 50HZ | PUMPE 50HZ | POMPE 50HZ |
| 0627 | 900441460 | POMPA 60HZ | PUMP 60HZ | PUMPE 60HZ | POMPE 60HZ |
| 0628 | 900440812 | RACCORDO | CONNECTOR | ANSCHLUSS | RACCORD |
| 0629 | 900440813 | RACCORDO | CONNECTOR | ANSCHLUSS | RACCORD |
| 0605 | 900341676 | TAPPO | PLUG | STOPFEN | BOUCHON |
| 0606 | 900340097 | COPERCHIO | LID | DECKEL | COUVERCLE |
| 0607 | 900340162 | TUBO | PIPE | ROHR | TUYAU |
| 0608 | 900340823 | TUBO | PIPE | ROHR | TUYAU |
| 0609 | 900340825 | TUBO | PIPE | ROHR | TUYAU |
| 0610 | 900437720 | FASCETTA | STRAP | SCHLAUCHSCHELLE | COLLIER |
| | | MOTORE | MOTOR | MOTOR | MOTEUR |
| 0611 | 900440107 | 220/380 50HZ 3ph | 220/380 50HZ 3ph | 220/380 50HZ 3ph | 220/380 50HZ 3ph |
| 0611 | 900441459 | 220/380 60HZ 3ph | 220/380 60HZ 3ph | 220/380 60HZ 3ph | 220/380 60HZ 3ph |
| 0611 | 900441513 | 220/415 50HZ 3ph | 220/415 50HZ 3ph | 220/415 50HZ 3ph | 220/415 50HZ 3ph |
| 0612 | 900440108 | FILTRO | FILTER | FILTER | FILTRE |
| 0613 | 900440109 | VALVOLA | VALVE | VENTIL | VANNE |
| 0614 | 900440110 | VALVOLA | VALVE | VENTIL | VANNE |
| 0615 | 900341780 | MANOPOLA | KNOB | BALLENGRIFF | BOUTON |
| 0616 | 900440816 | RACCORDO | CONNECTOR | ANSCHLUSS | RACCORD |
| 0617 | 900440817 | RACCORDO | CONNECTOR | ANSCHLUSS | RACCORD |
| 0618 | 900440821 | RACCORDO | CONNECTOR | ANSCHLUSS | RACCORD |
| 0619 | 900440820 | RACCORDO | CONNECTOR | ANSCHLUSS | RACCORD |
| 0620 | 900440826 | TUBO | PIPE | ROHR | TUYAU |
| 0621 | 900440827 | TUBO | PIPE | ROHR | TUYAU |
| 0622 | 900440824 | CURVA | ELBOW | KURVE | COURBE |
| 0623 | 900440822 | CURVA | ELBOW | KURVE | COURBE |
| 0625 | 900440829 | TUBO | PIPE | ROHR | TUYAU |
| 0631 | 900440828 | TUBO | PIPE | ROHR | TUYAU |
| 0633 | 900442049 | CARTUCCE | CARTRIDGE | EINSATZ | CARTOUCHE |

Codici**Codes****Kode-Nr****Codes**

| | | | | |
|--|----------------|---------------|----------------|----------------------------------|
|  | HD 1200 | Fig. H | 07 / 92 | Supporto unità di potenza |
|--|----------------|---------------|----------------|----------------------------------|

| | | | | | |
|------|-----------|-------------|---------|----------------|------------|
| 0601 | 900240101 | SUPPORTO | SUPPORT | LAGER | SUPPORT |
| 0602 | 900341350 | PIEDE | FOOT | FUSS | PIED |
| 0603 | 900240092 | SERBATOIO | TANK | TANK | RESERVOIR |
| 0630 | 900440164 | CARTER | CASING | GEHAUSE | CARTER |
| 0632 | 900340738 | DISTANZIALE | SPACER | ABSTANDSSTUECK | ENTRETOISE |



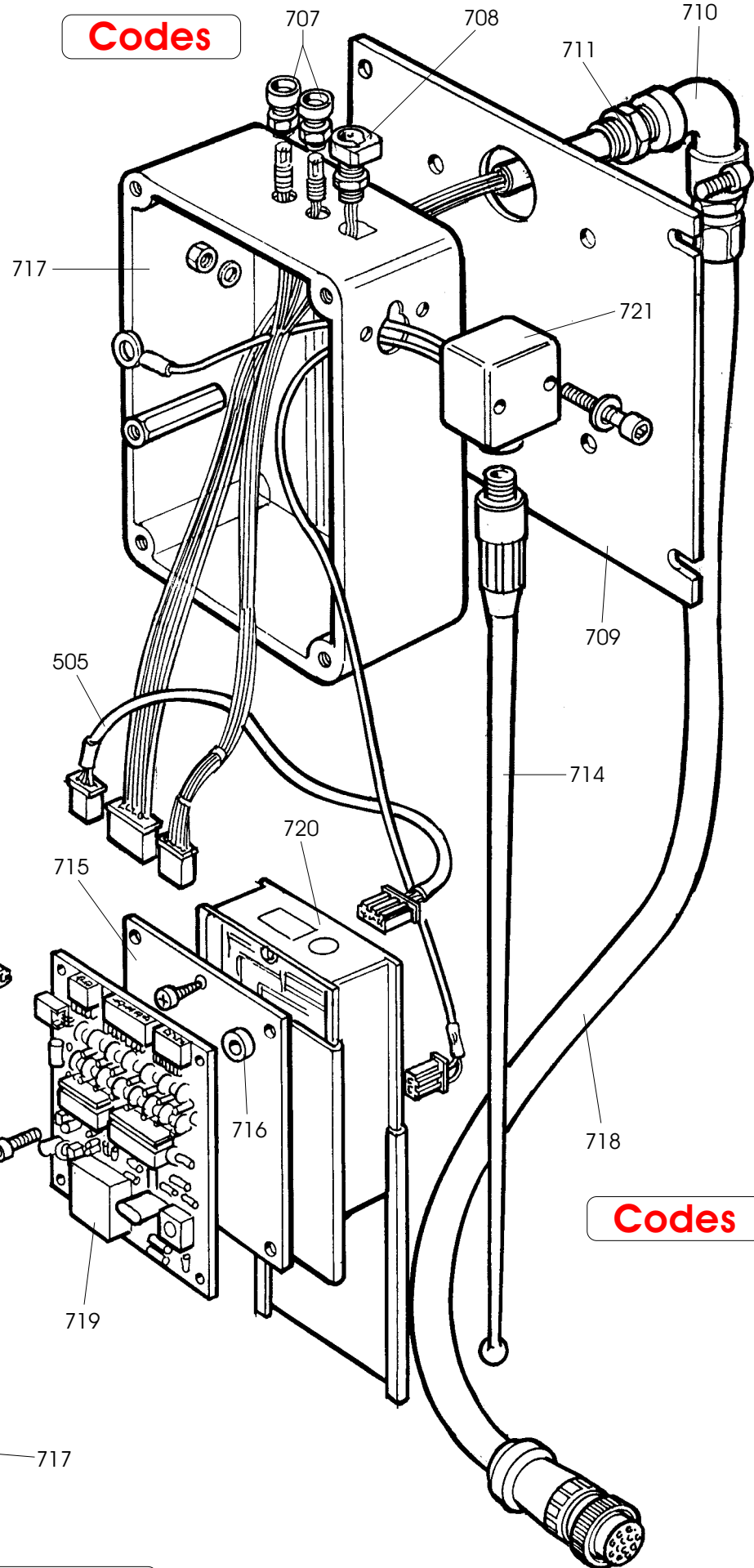
531

| | | IMPIANTO ELETTRICO | ELECTRIC SYSTEM | ELEKTRISCHE ANLAGE | INSTALL. ELECTRIQUE | |
|------|-----------|-------------------------------|-----------------------------|----------------------------|----------------------------|--------|
| 9502 | 900243051 | Verde/Grigio 415/3 50/60Hz | Green/Grey 415/3 50/60Hz | Grün/Grau 415/3 50/60Hz | Vert/Gris 415/3 50/60Hz | |
| 9502 | 900243053 | Verde/Marrone 380/3 50Hz | Green/Brown 380/3 50Hz | Grün/Braun 380/3 50Hz | Vert/Marron 380/3 50Hz | |
| 9502 | 900243055 | Verde/Grigio 380/3 50Hz | Green/Grey 380/3 50Hz | Grün/Grau 380/3 50Hz | Vert/Gris 380/3 50Hz | |
| 9502 | 900243059 | Verde/Bianco 380/3 50Hz | Green/White 380/3 50Hz | Grün/Weiss 380/3 50Hz | Vert/Blanc 380/3 50Hz | |
| 9502 | 900243049 | Versione con cavo | Cable version | Ausführung mit kabel | Version avec cable | |
| | 0502 | 900340113 | STAFFA | BRACKET | KLAUE | ETRIER |
| | 0503 | 900340114 | STAFFA | BRACKET | KLAUE | ETRIER |
| | 0505 | 900239678 | CAVO | CABLE | KABEL | CABLE |
| | 0506 | 900239680 | CAVO | CABLE | KABEL | CABLE |

| | | | | | |
|------|-----------|---------------------|------------------|--------------------|------------------|
| 0507 | 900239682 | CAVO | CABLE | KABEL | CABLE |
| 0508 | 900239684 | CAVO | CABLE | KABEL | CABLE |
| 0509 | 900239685 | CAVO | CABLE | KABEL | CABLE |
| 0510 | 900239688 | CAVO | CABLE | KABEL | CABLE |
| 0511 | 900239777 | CAVO | CABLE | KABEL | CABLE |
| 0513 | 900240616 | SUPPORTO | SUPPORT | LAGER | SUPPORT |
| 0514 | 900240669 | CAVO | CABLE | KABEL | CABLE |
| 0515 | 900241493 | CAVO | CABLE | KABEL | CABLE |
| 0516 | 900339772 | ANGOLARE | ANGLE BAR | WINKELPROFIL | BARRE ANGULAIRE |
| 0517 | 950415012 | LAMPADA | LAMP | LAMPE | LAMPE |
| 0518 | 900422040 | SPIA | PILOT LAMP | KONTROLLEUCHE | TEMOIN |
| 0519 | 900439699 | ANTENNA | ANTENNA | ANTENNE | ANTENNE |
| 0520 | 900439748 | PROLUNGA | EXTENSION CORD | VERLAENGERUNG | RALLONGE |
| 0521 | 900439750 | COMMUTATORE | COMMUTATOR | SCHALTER | COMMUTATEUR |
| | | SCHEDA ELETTRON. | P.C.BOARD | ELEKTR.PLATINE | FICHE ELECTR. |
| 0523 | 900439763 | Verde/Grigio A.F. | Green/Grey H.F. | Grün/Grau H.S. | Vert/Gris H.F. |
| 0523 | 900440048 | Verde/Marrone A.F. | Green/Brown H.F. | Grün/Braun H.S. | Vert/Marron H.F. |
| 0523 | 900441255 | Verde/Bianco A.F. | Green/White H.F. | Grün/Weiss H.S. | Vert/Blanc H.F. |
| 0525 | 900439765 | SALVAMOTORE | OVERL. CUTOUT | UEBERLAST-SCHALTER | DISJONCTEUR |
| 0527 | 900440670 | TRASFORMATORE | TRANSFORMER | TRANSFORMATOR | TRANSFORMATEUR |
| 0528 | 900441105 | TAPPO | PLUG | STOPFEN | BOUCHON |
| 0529 | 900441492 | SUPPORTO | SUPPORT | LAGER | SUPPORT |
| 0530 | 900429692 | FUSIBILE 1A RITARD. | FUSE 1A | SICHERUNG 1A | FUSIBLE 1A |
| 0530 | 950429315 | FUSIBILE 0.5A | FUSE 0.5A | SICHERUNG 0.5A | FUSIBLE 0.5A |
| 0530 | 950429691 | FUSIBILE 6A RITARD. | FUSE 6A | SICHERUNG 6A | FUSIBLE 6A |
| 0532 | 900241869 | CAVO | CABLE | KABEL | CABLE |
| 0533 | 900241870 | CAVO | CABLE | KABEL | CABLE |
| 0534 | 900443043 | SCHEDA ELETTRON. | P.C.BOARD | ELEKTR.PLATINE | FICHE ELECTR. |
| | | SCHEDA ELETTRON. | P.C.BOARD | ELEKTR.PLATINE | FICHE ELECTR. |
| 0535 | 900443044 | Verde/Grigio B.F. | Green/Grey L.F. | Grün/Grau N.S. | Vert/Gris B.F. |
| 0535 | 900443045 | Verde/Marrone B.F. | Green/Brown L.F. | Grün/Braun N.S. | Vert/Marron B.F. |
| 0535 | 900443046 | Verde/Bianco B.F. | Green/White L.F. | Grün/Weiss N.S. | Vert/Blanc B.F. |
| 0536 | 900341918 | CASSA | CASE | KASTEN | CAISSE |

0531 900241871 CAVO CABLE KABEL CABLE


Codes



Codici

Codes

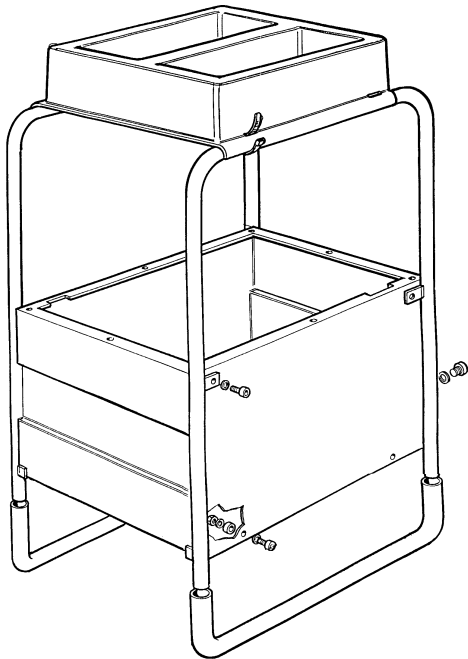
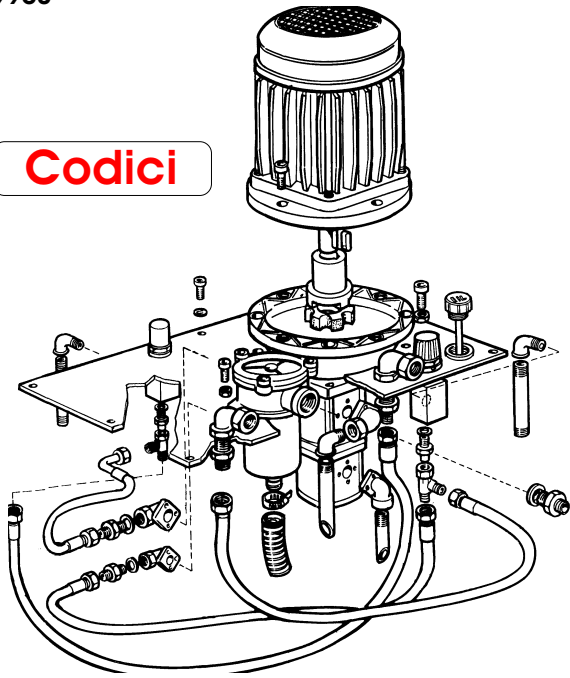
Kode-Nr

| | | | | |
|--|----------------|---------------|----------------|----------------------|
|  | HD 1200 | Fig. L | 07 / 94 | Trasmittitore |
|--|----------------|---------------|----------------|----------------------|

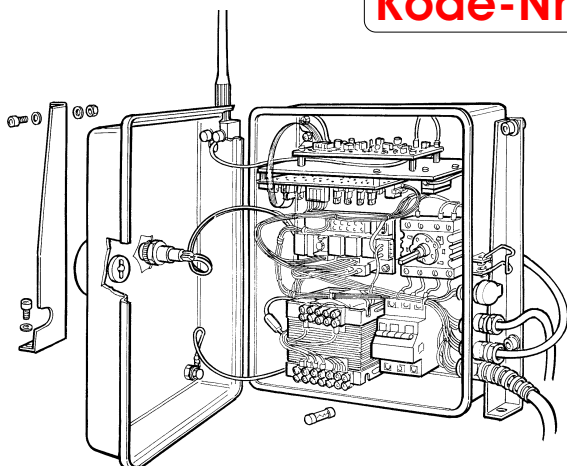
| | | | | | |
|------|-----------|--------------------|------------------|-----------------|------------------|
| 0505 | 900239678 | CAVO | CABLE | KABEL | CABLE |
| 0707 | 900245921 | CAVO | CABLE | KABEL | CABLE |
| 0708 | 900245922 | CAVO | CABLE | KABEL | CABLE |
| 0709 | 900345076 | LAMIERA | METAL SHEET | BLECH | TOLE |
| 0710 | 900445328 | CURVA | ELBOW | KURVE | COURBE |
| 0711 | 900445329 | GHIERA | NUT | NUTMUTTER | BAGUE |
| 0712 | 900239825 | BATTERIA | BATTERY | BATTERIE | BATTERIE |
| 0714 | 900439819 | ANTENNA | ANTENNA | ANTENNE | ANTENNE |
| 0715 | 900345075 | LAMIERA | METAL SHEET | BLECH | TOLE |
| 0716 | 900445905 | DISTANZIALE | SPACER | ABSTANDSSTUECK | ENTRETOISE |
| 0717 | 900345078 | SCATOLA | BOX | SCHACHTEL | BOITE |
| 0718 | 900245923 | CAVO | CABLE | KABEL | CABLE |
| | | SCHEDA ELETTRON. | P.C.BOARD | ELEKTR.PLATINE | FICHE ELECTR. |
| 0719 | 900439820 | Verde/Grigio B.F. | Green/Grey L.F. | Grün/Grau N.S. | Vert/Gris B.F. |
| 0719 | 900440045 | Verde/Marrone B.F. | Green/Brown L.F. | Grün/Braun N.S. | Vert/Marron B.F. |
| 0719 | 900441252 | Verde/Bianco B.F. | Green/White L.F. | Grün/Weiss N.S. | Vert/Blanc B.F. |
| | | TRASMETTITORE | TRANSMITTER | SENDER | EMETTEUR |
| 0720 | 900439821 | Verde/Grigio A.F. | Green/Grey H.F. | Grün/Grau H.S. | Vert/Gris H.F. |
| 0720 | 900440041 | Verde/Marrone A.F. | Green/Brown H.F. | Grün/Braun H.S. | Vert/Marron H.F. |
| 0720 | 900441253 | Verde/Bianco A.F. | Green/White H.F. | Grün/Weiss H.S. | Vert/Blanc H.F. |
| 0721 | 900245906 | SUPPORTO | SUPPORT | LAGER | SUPPORT |

9903

Codici

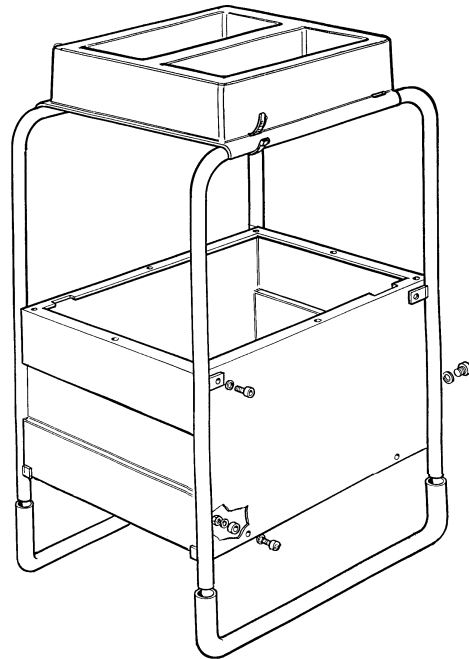
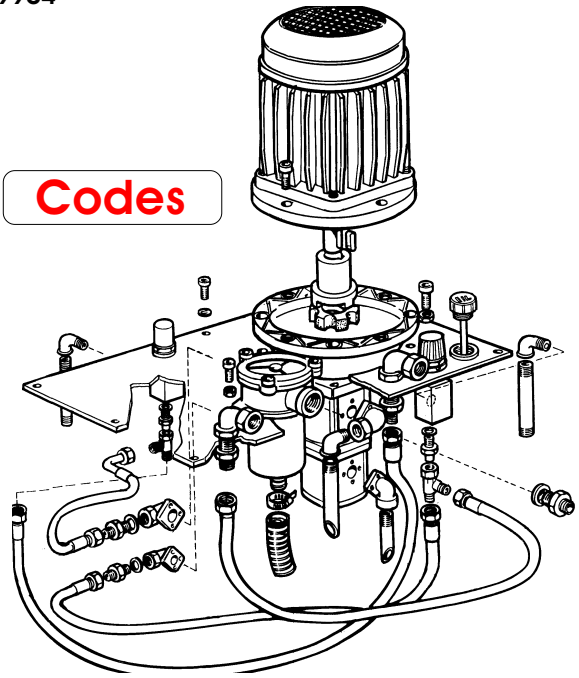


Kode-Nr

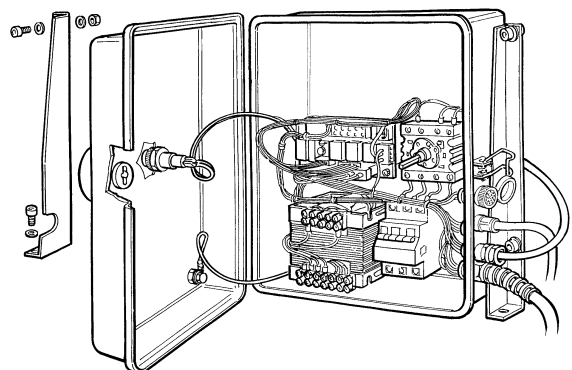



9904

Codes

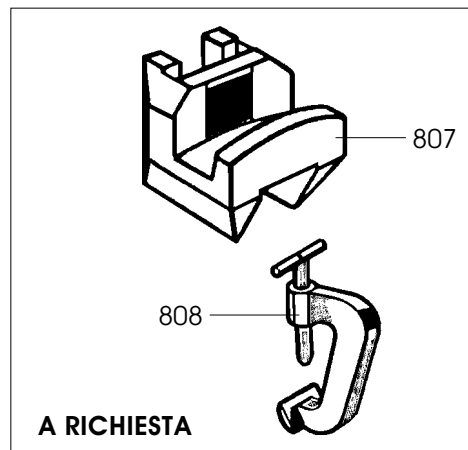
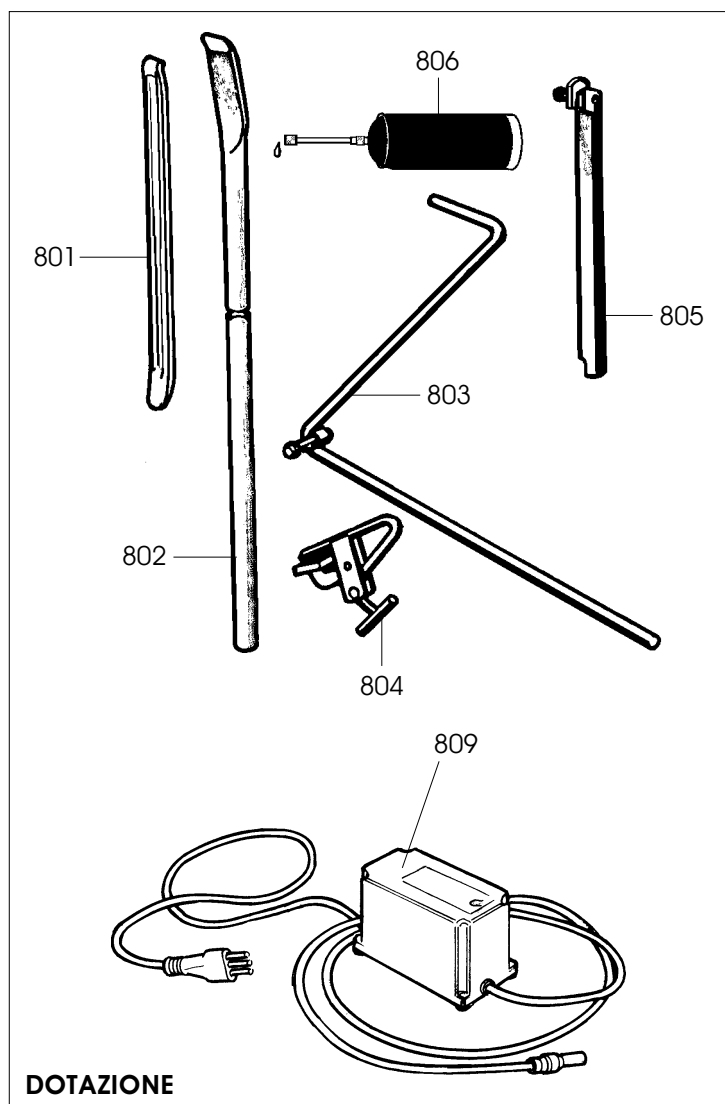


Codes



| | | | | |
|--|----------------|---------------|----------------|----------------------|
|  | HD 1200 | Fig. M | 07 / 94 | Trasmittitore |
|--|----------------|---------------|----------------|----------------------|

| | | | | | |
|------|-----------|-----------------------------|---------------------------|--------------------------|---------------------------|
| | | CENTRALINA | POWER PACK | STEUERGERAET | UNITE DE CONTROLE |
| 9903 | 900243050 | Verde/Grigio 415/3 50Hz | Green/Grey 415/3 50Hz | Grün/Grau 415/3 50Hz | Vert/Gris 415/3 50Hz |
| 9903 | 900243052 | Verde/Marrone 380/3 50Hz | Green/Brown 380/3 50Hz | Grün/Braun 380/3 50Hz | Vert/Marron 380/3 50Hz |
| 9903 | 900243054 | Verde/Grigio 380/3 50Hz | Green/Grey 380/3 50Hz | Grün/Grau 380/3 50Hz | Vert/Gris 380/3 50Hz |
| 9903 | 900243056 | Verde/Grigio 220/3 60Hz | Green/Grey 220/3 60Hz | Grün/Grau 220/3 60Hz | Vert/Gris 220/3 60Hz |
| 9903 | 900243058 | Verde/Bianco 380/3 50Hz | Green/White 380/3 50Hz | Grün/Weiss 380/3 50Hz | Vert/Blanc 380/3 50Hz |
| | | CENTRALINA | POWER PACK | STEUERGERAET | UNITE DE CONTROLE |
| 9904 | 900243048 | 380/3 50Hz | 380/3 50Hz | 380/3 50Hz | 380/3 50Hz |
| 9904 | 900243057 | 220/3 60Hz | 220/3 60Hz | 220/3 60Hz | 220/3 60Hz |



| | DOTAZIONE | OUTFIT | LIEFERUMFANG | LIVRES D'ORIGINE |
|------|--------------------------|------------------|---------------------|-------------------------|
| 0801 | 900317620 LEVA | LEVER | HEBEL | LEVIER |
| 0802 | 900236906 LEVA | LEVER | HEBEL | LEVIER |
| 0803 | 900217617 LEVA | LEVER | HEBEL | LEVIER |
| 0804 | 900219244 PINZA | PLIERS | ZANGE | PINCE |
| 0805 | 900234230 STELO | STEM | SCHAFT | TIGE |
| 0806 | 900435443 INGRASSATORE | LUBRICATOR | SCHMIERNIPPEL | GRAISSEUR |
| 0809 | 900240674 CARICABATTERIE | BATTERY CHARG. | BATTERIELADEGERAET | CHARG. DE BATTERIE |
| | A RICHIESTA | OPTIONALS | AUF WUNSCH | EN OPTION |
| 0807 | 900239975 GRIFFA | JAW | BACKE | MORS |
| 0808 | 900217635 MORSETTO | TERMINAL | KLEMME | BORNE |

Il disegno è realizzato con tutti i particolari ma solo quelli codificati sono forniti come ricambi. L'Azienda si riserva la facoltà di apportare modifiche senza preavviso.