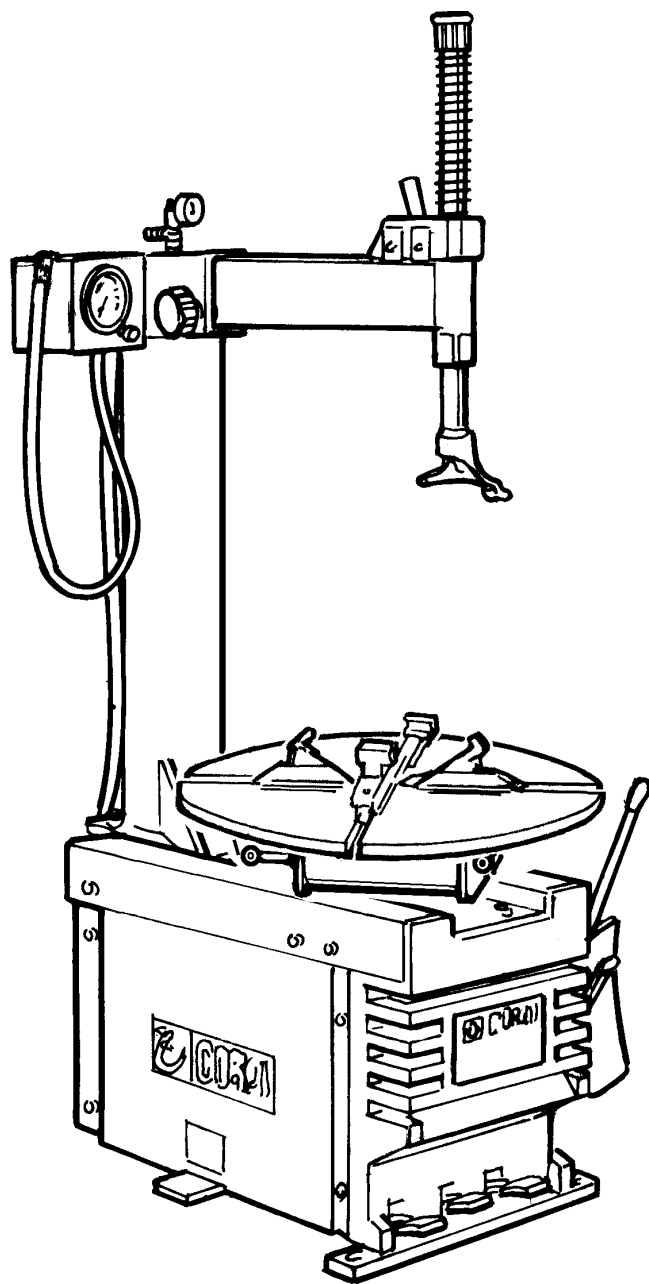


Questo libretto non autorizza l'utente ad intervenire sulle macchine ad esclusione di quanto esplicitamente descritto nel Manuale d'uso, ma consente all'utente di fornire informazioni precise all'Assistenza tecnica, al fine di ridurre i tempi di intervento.

# A 9212 T.I.

The "Spare parts" booklet does not authorize the user to carry out work on the machine unless expressly specified in the instruction manual, but does enable him to provide accurate information to the assistance service in order to reduce downtime.

## PEZZI DI RICAMBIO SPARE PARTS LIST ERSATZTEILLISTE PIECES DE RECHANGE



Versione

3.0

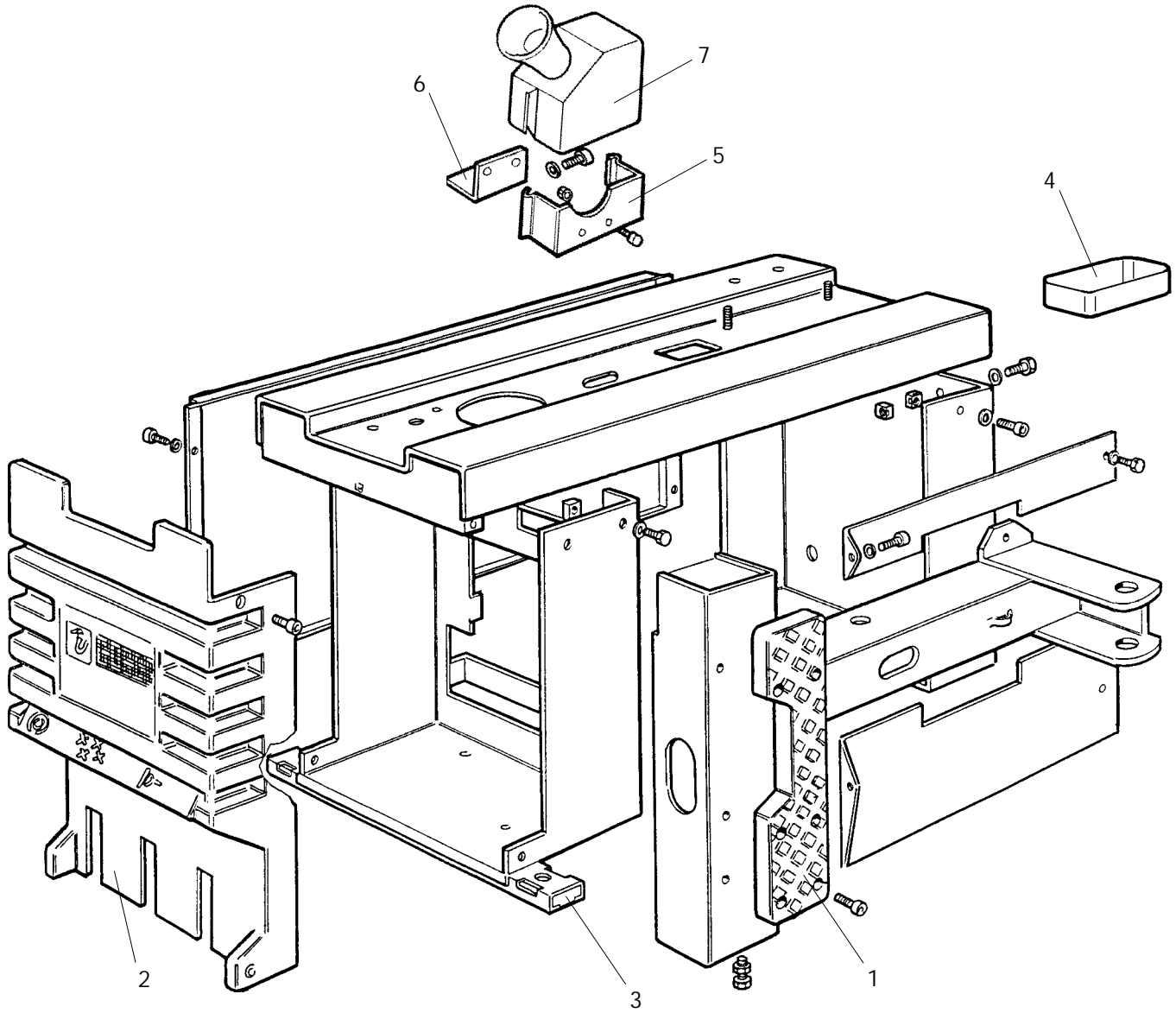
In produzione da  
Production from  
Herstellung ab  
Production

05 / 00

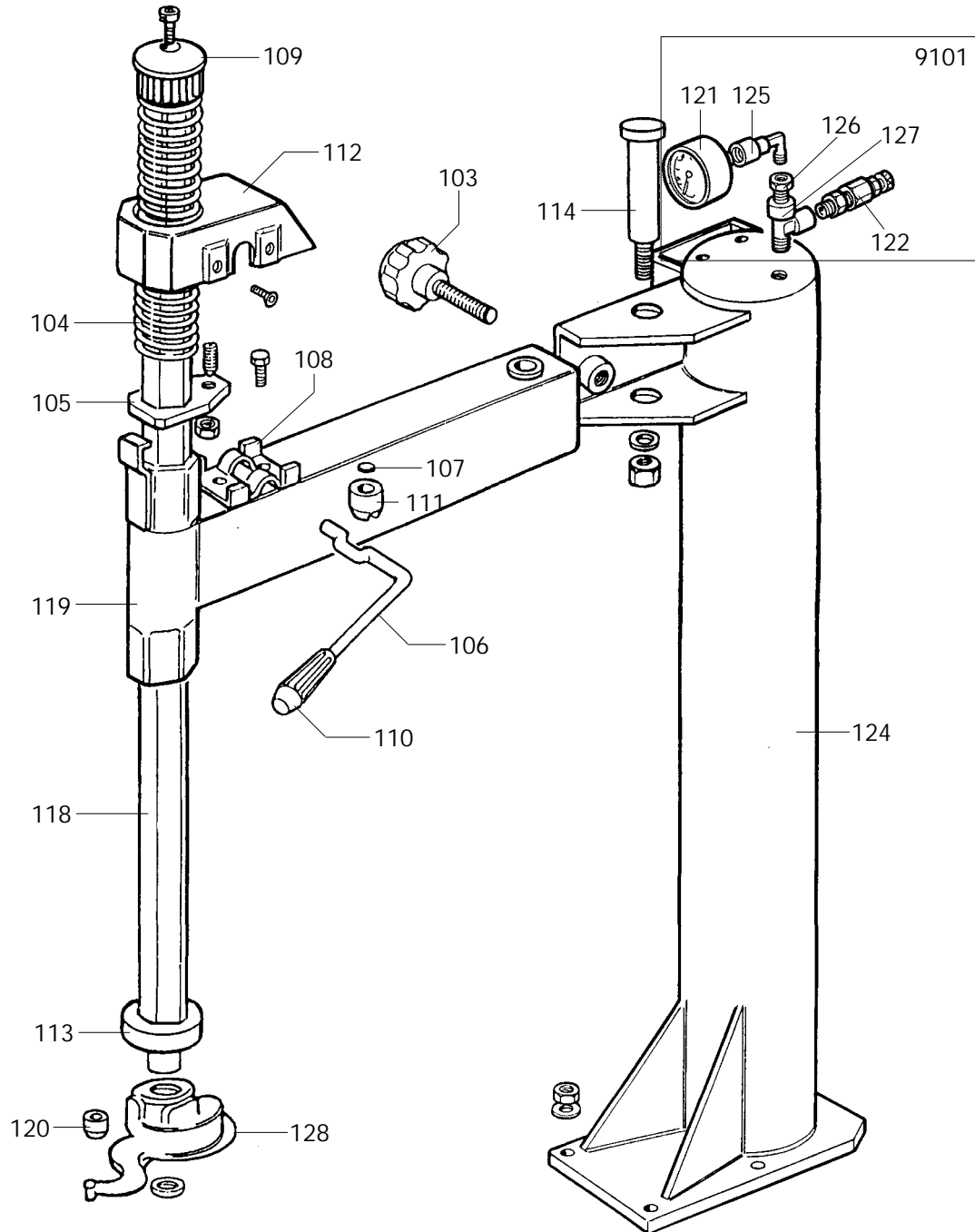
Der Katalog Ersatzteile stellt keine Genehmigung zu eigenmächtigen Eingriffen dar (mit Ausnahme jener im Handbuch beschriebenen), sondern er soll den Anwender in die Lage versetzen, dem technischen Service präzise Informationen zu liefern, um die Reparaturzeiten zu verkürzen.



Le livret "Pièces de rechange", n'autorise pas l'utilisateur à intervenir sur les machines, sauf pour tout ce qui est clairement décrit dans le manuel d'utilisation, mais lui permet de fournir des informations précises à l'assistance technique, afin de diminuer les délais d'intervention.

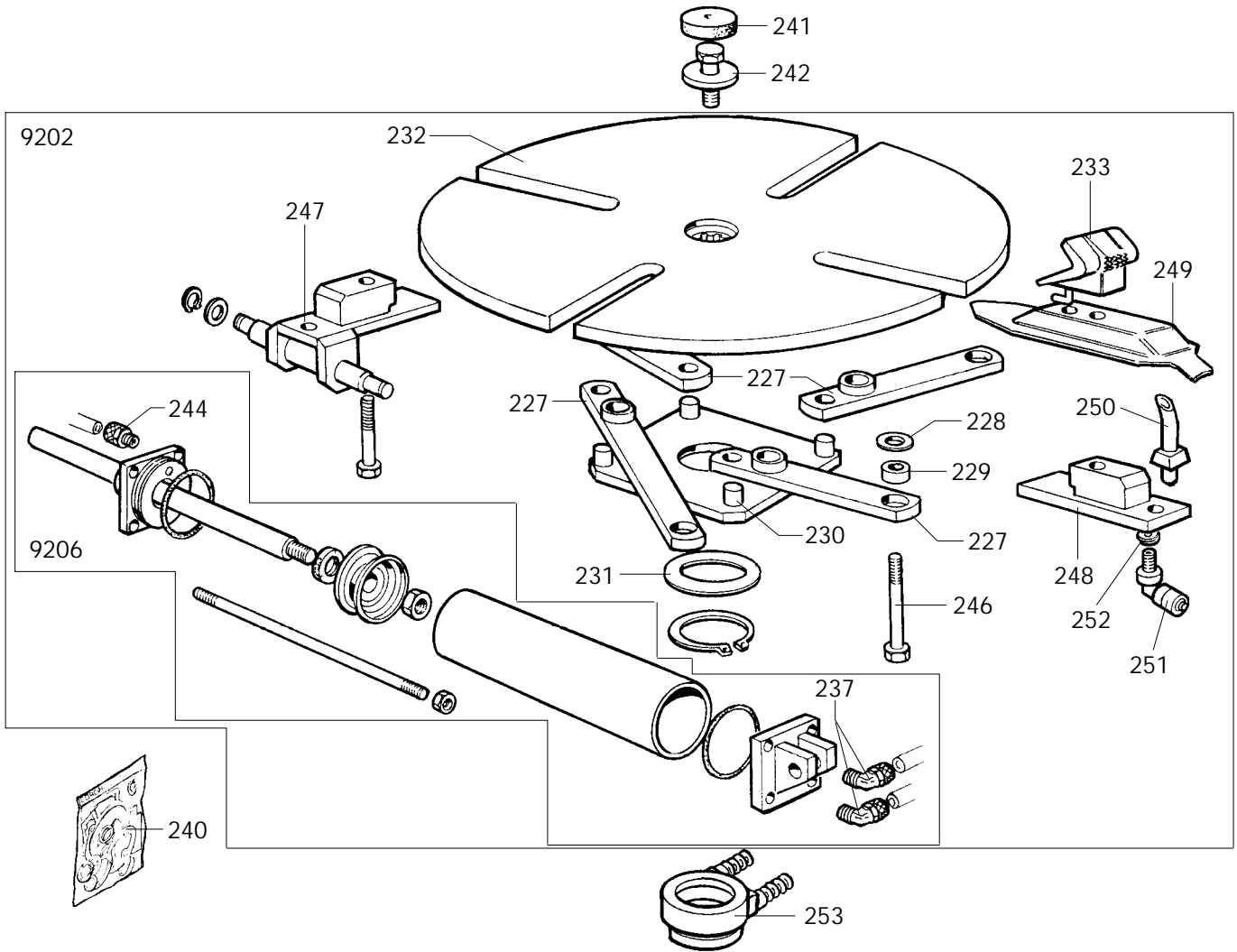


0001	900436199	APPOGGIO	RIM SUPPORT	STUETZE	APPUI
0002	900439201	COFANO	HOOD	HAUBE	COFFRE
0003	900422019	PIEDE	FOOT	FUSS	PIED
0004	900343996	VASCHETTA	CUP	KLEINE WANNE	PETIT BAC
0005	900315522	SUPPORTO	SUPPORT	LAGER	SUPPORT
0006	900344879	SUPPORTO	SUPPORT	LAGER	SUPPORT
0007	900423405	CONTENITORE	CONTAINER	BEHAELTER	CONTENEUR



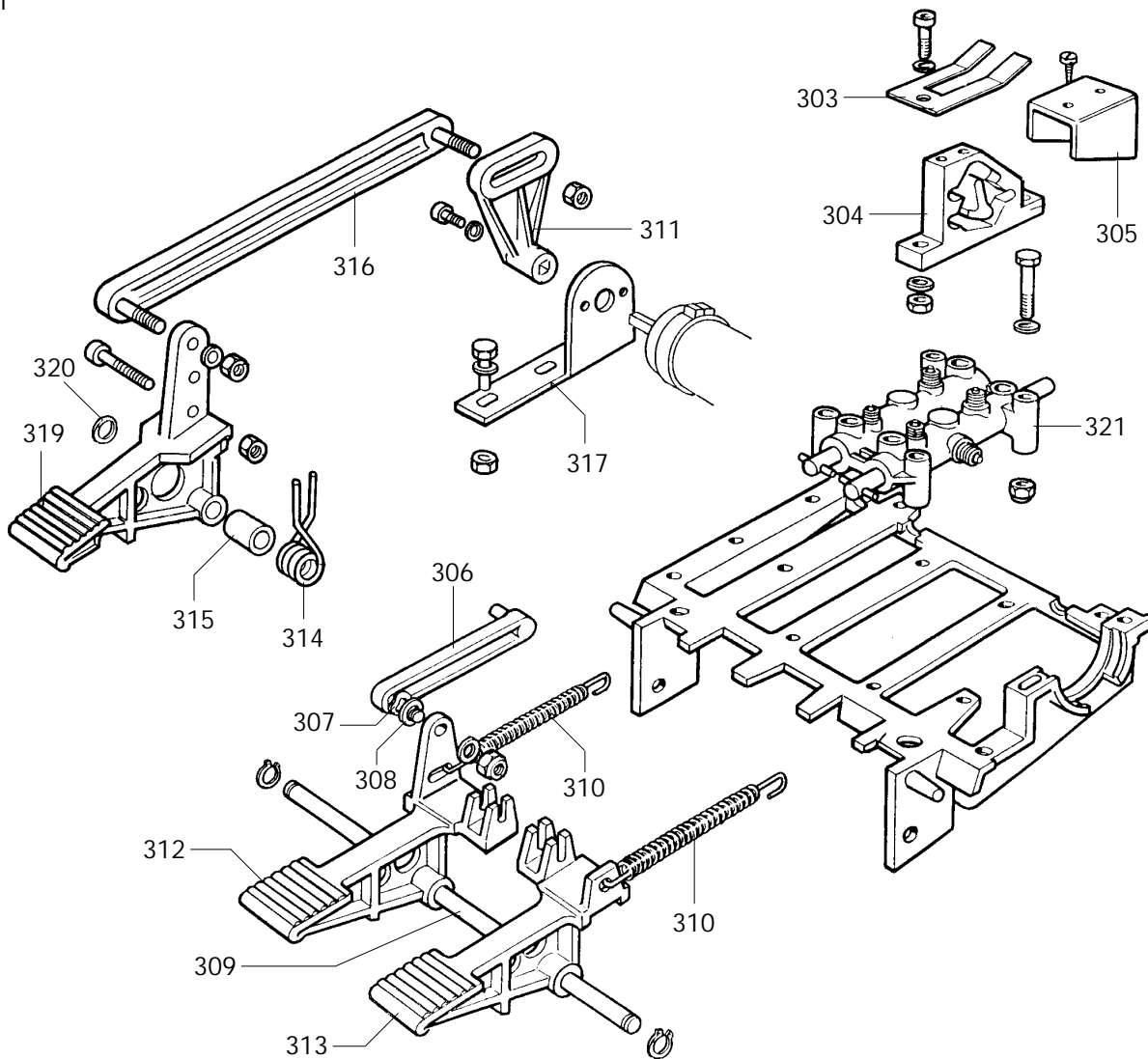
0103	900440276	MANOPOLA	KNOB	BALLENGRIFF	BOUTON
0104	900423765	MOLLA	SPRING	FEDER	RESSORT
0105	900440278	PIATTO	PLATE	TELLER	PLAT
0106	900440279	LEVA	LEVER	HEBEL	LEVIER
0107	900440280	PIASTRINA	PLATE	PLAETTCHEN	PLAQUETTE
0108	900440281	PIASTRINA	PLATE	PLAETTCHEN	PLAQUETTE
0109	900423907	POMOLO	KNOB	BALLENGRIFF	POMMEAU
0110	900417351	MANOPOLA	KNOB	BALLENGRIFF	BOUTON
0111	900440284	NOTTOLINO	PAWL	KLINKE	CLIQUET
0112	900440285	CARTER	CASING	GEHAUSE	CARTER
0113	900428681	ANELLO	RING	RING	ANNEAU
0114	900440287	PERNO	PIN	ZAPFEN	PIVOT
0116	900350194	RONDELLA	WASHER	UNTERLEGSCHIEBE	RONDELLE
0118	900343105	BRACCIO	ARM	ARM	BRAS
0119	900240275	BRACCIO	ARM	ARM	BRAS
0120	900322738	RULLO	ROLLER	WALZE	ROULEAU
0128	900258458	TORRETTA	MOUNT/DEMOUNT HEAD		DREHKOPF TOURELLE

9101	900241608	GRUPPO	ASSEMBLY	GRUPPE	GROUPE
0121	900434818	MANOMETRO	PRESSURE GAUGE	DRUCKMESSER	MANOMETRE
0122	900435077	VALVOLA	VALVE	VENTIL	VANNE
0125	900441609	RACCORDO	CONNECTOR	ANSCHLUSS	RACCORD
0126	900440942	NIPPLO	CONNECTION	NIPPEL	NIPPLE
0127	900449677	RACCORDO	CONNECTOR	ANSCHLUSS	RACCORD



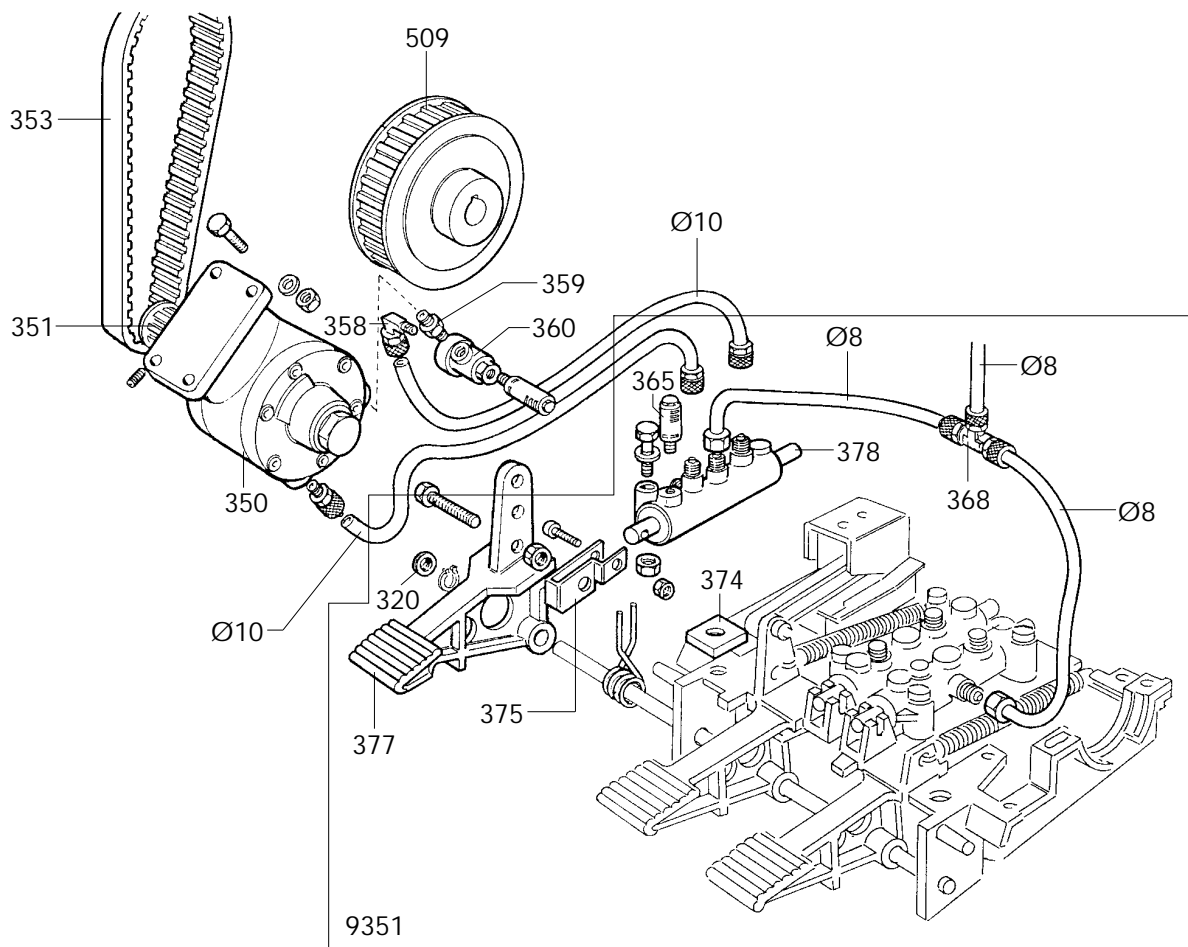
9602	900250727	AUTOCENTRANTE	TURNTABLE	SPANNFUTTER	PLAT. AUTOCENTREUR
0227	900223785	BIELLA	TRACE	PLEUELSTANGE	BIELLE
0228	900323795	RONDELLA	WASHER	UNTERLEGSCHEIBE	RONDELLE
0229	900323796	BOCCOLA	BUSHING	LAGER	DOUILLE
0230	900226213	FLANGIA	FLANGE	FLANSCH	FLASQUE
0231	900426346	RONDELLA	WASHER	UNTERLEGSCHEIBE	RONDELLE
0232	900226210	PIATTO	PLATE	TELLER	PLAT
0233	900340927	CUNEO	WEDGE	KEIL	COIN
0246	900423819	VITE	SCREW	SCHRAUBE	VIS
0247	900243165	SUPPORTO	SUPPORT	LAGER	SUPPORT
0248	900243164	SUPPORTO	SUPPORT	LAGER	SUPPORT
0249	900341600	APPOGGIO	RIM SUPPORT	STUETZE	APPUI
0250	900435285	UGELLO	NOZZLE	DUESE	BUSE-TUYERE
0251	900441598	RACCORDO	CONNECTOR	ANSCHLUSS	RACCORD
0252	900341599	RONDELLA	WASHER	UNTERLEGSCHEIBE	RONDELLE
9206	900232366	CILINDRO DX	CYLINDER	ZYLINDER	CYLINDRE
0237	900428593	RACCORDO	CONNECTOR	ANSCHLUSS	RACCORD
0244	900417408	RACCORDO	CONNECTOR	ANSCHLUSS	RACCORD
9206	900232365	CILINDRO SX	CYLINDER	ZYLINDER	CYLINDRE
0237	900428593	RACCORDO	CONNECTOR	ANSCHLUSS	RACCORD
0240	900238548	KIT GUARNIZIONI	SEALS KIT	DICHTUNGSATZ	KIT JOINTS
0241	900426514	TAPPO	PLUG	STOPFEN	BOUCHON
0242	900323363	RONDELLA	WASHER	UNTERLEGSCHEIBE	RONDELLE
0253	900241841	RACCORDO	CONNECTOR	ANSCHLUSS	RACCORD

9301



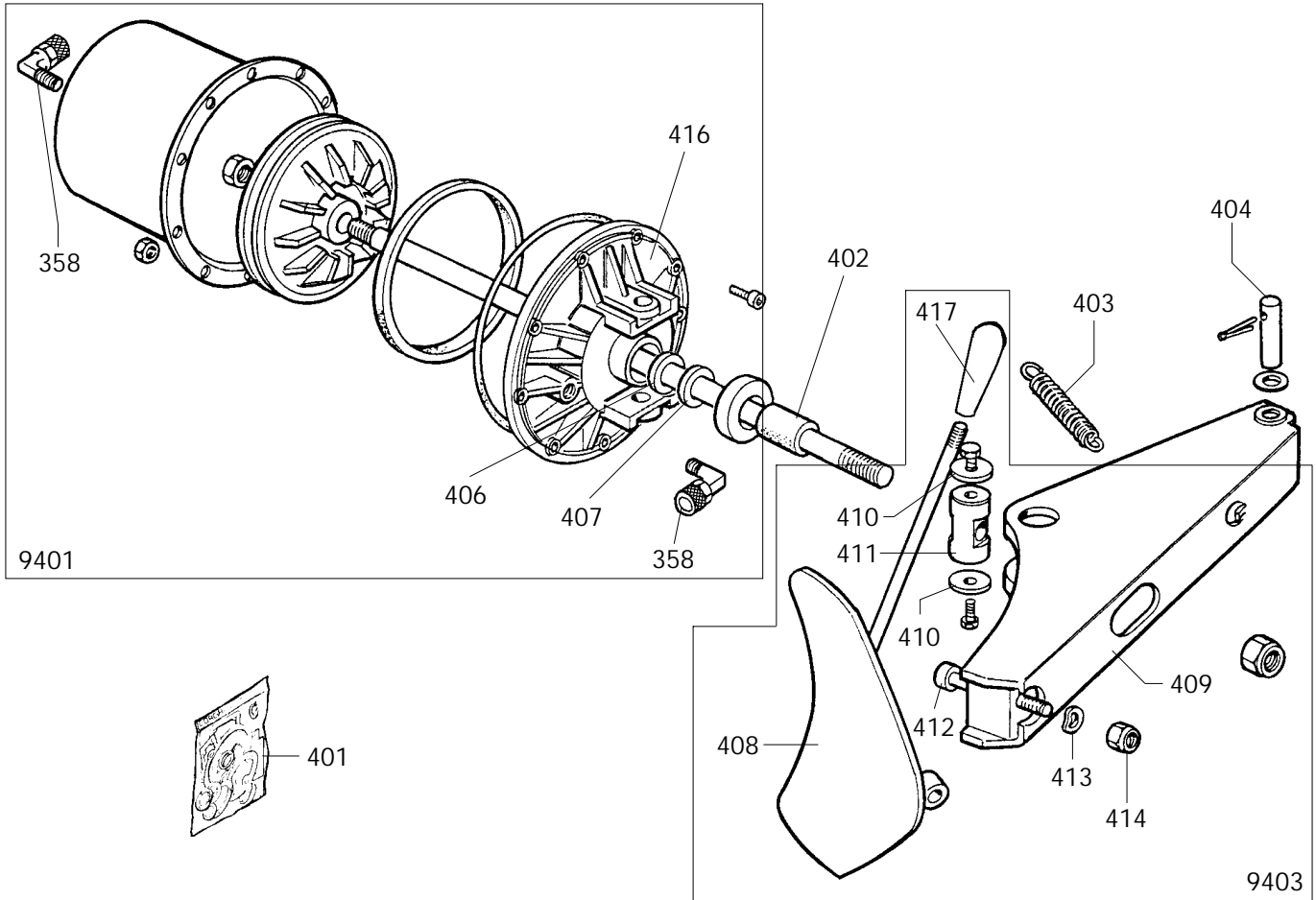
9301	900241201	PEDALIERA	CONTROL PEDAL	PEDALERIE	GR.PEDALES
0303	900325019	BALESTRA	LEAF SPRING	BLATTFEDER	RESSORT A LAMES
0304	900425020	CAMMA	CAM	NOCKEN	CAME
0305	900325018	CAVALLOTTO	U-BOLT	BUEGELBOLZEN	CRAMPILLON
0306	900425014	BIELLA	TRACE	PLEUELSTANGE	BIELLE
0307	900419888	RONDELLA	WASHER	UNTERLEGSCHIEBE	RONDELLE
0308	900309358	RONDELLA	WASHER	UNTERLEGSCHIEBE	RONDELLE
0309	900325583	PERNO	PIN	ZAPFEN	PIVOT
0310	900410628	MOLLA	SPRING	FEDER	RESSORT
0311	900404283	LEVA	LEVER	HEBEL	LEVIER
0312	900325031	PEDALE	PEDAL	PEDAL	PEDALE
0313	900325032	PEDALE	PEDAL	PEDAL	PEDALE
0314	900428682	MOLLA	SPRING	FEDER	RESSORT
0315	900325050	DISTANZIALE	SPACER	ABSTANDSSTUECK	ENTRETOISE
0316	900429009	BIELLA	TRACE	PLEUELSTANGE	BIELLE
0317	900334758	SUPPORTO	SUPPORT	LAGER	SUPPORT
0319	900352009	PEDALE	PEDAL	PEDAL	PEDALE
0320	900452011	BOCCOLA	BUSHING	LAGER	DOUILLE
0321	900253298	RUBINETTO	COCK	HAHN	ROBINET





Ø8	900701683	TUBO	PIPE	ROHR	TUYAU
Ø10	900701875	TUBO	PIPE	ROHR	TUYAU
0350	900319135	MOTORE	MOTOR	MOTOR	MOTEUR
0351	900319076	PULEGGIA	PULLEY	RIEMENSCHIEBE	POULIE
0353	900425238	CINGHIA	BELT	RIEMEN	COURROIE
0358	900418350	RACCORDO	CONNECTOR	ANSCHLUSS	RACCORD
0359	900419142	NIPPLO	CONNECTION	NIPPEL	NIPPLE
0360	900419141	VALVOLA	VALVE	VENTIL	VANNE
0509	900319073	PULEGGIA	PULLEY	RIEMENSCHIEBE	POULIE

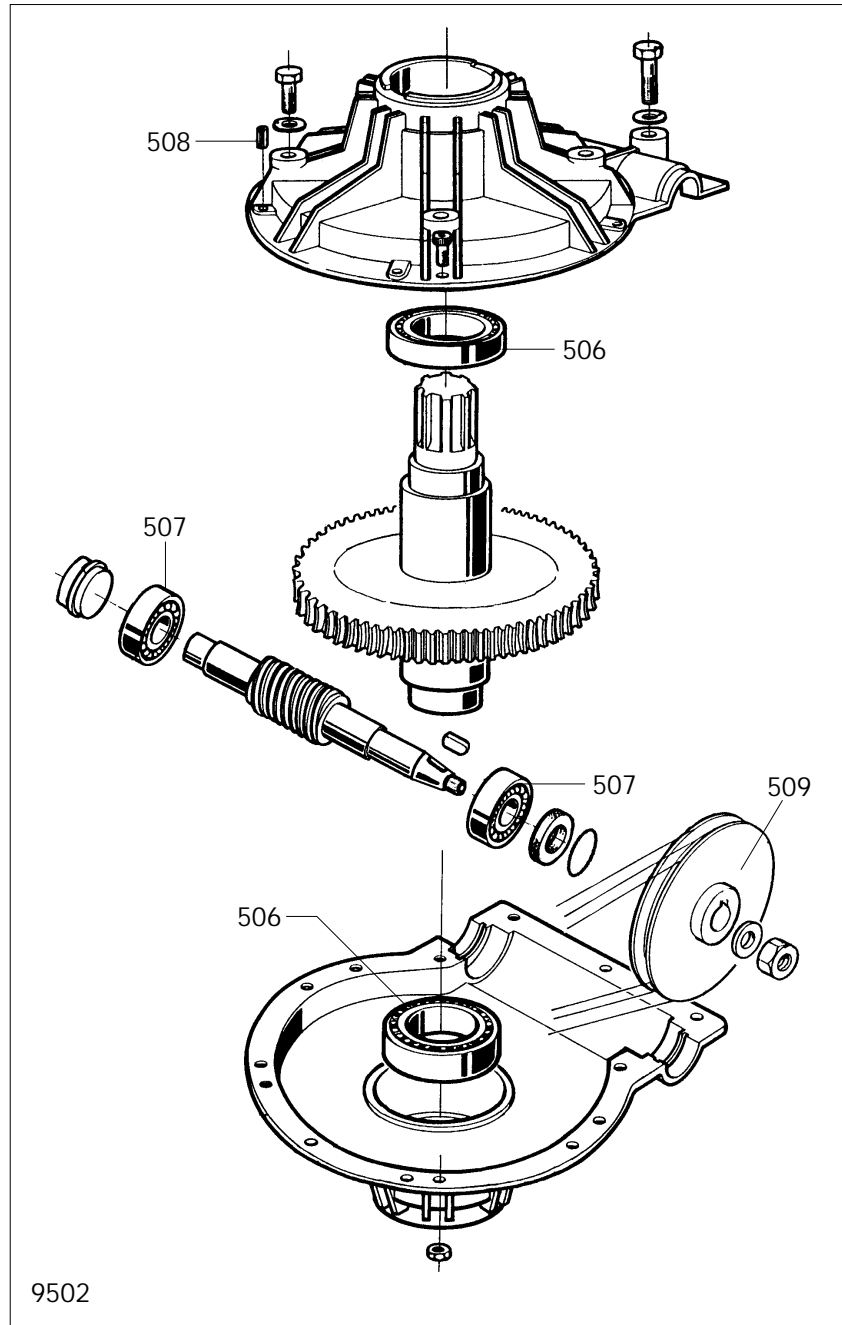
9351	900270526	PEDALIERA	CONTROL PEDAL	PEDALERIE	GR.PEDALES
0320	900452011	BOCCOLA	BUSHING	LAGER	DOUILLE
0365	900422682	SILENZIATORE	SILENCER	SCHALLDAEMPFER	SILENCIEUX
0368	900415860	RACCORDO	CONNECTOR	ANSCHLUSS	RACCORD
0374	900329058	PIASTRINA	PLATE	PLAETTCHEN	PLAQUETTE
0375	900331381	BIELLA	TRACE	PLEUELSTANGE	BIELLE
0377	900352029	PEDALE	PEDAL	PEDAL	PEDALE
0378	900258456	RUBINETTO	COCK	HAHN	ROBINET



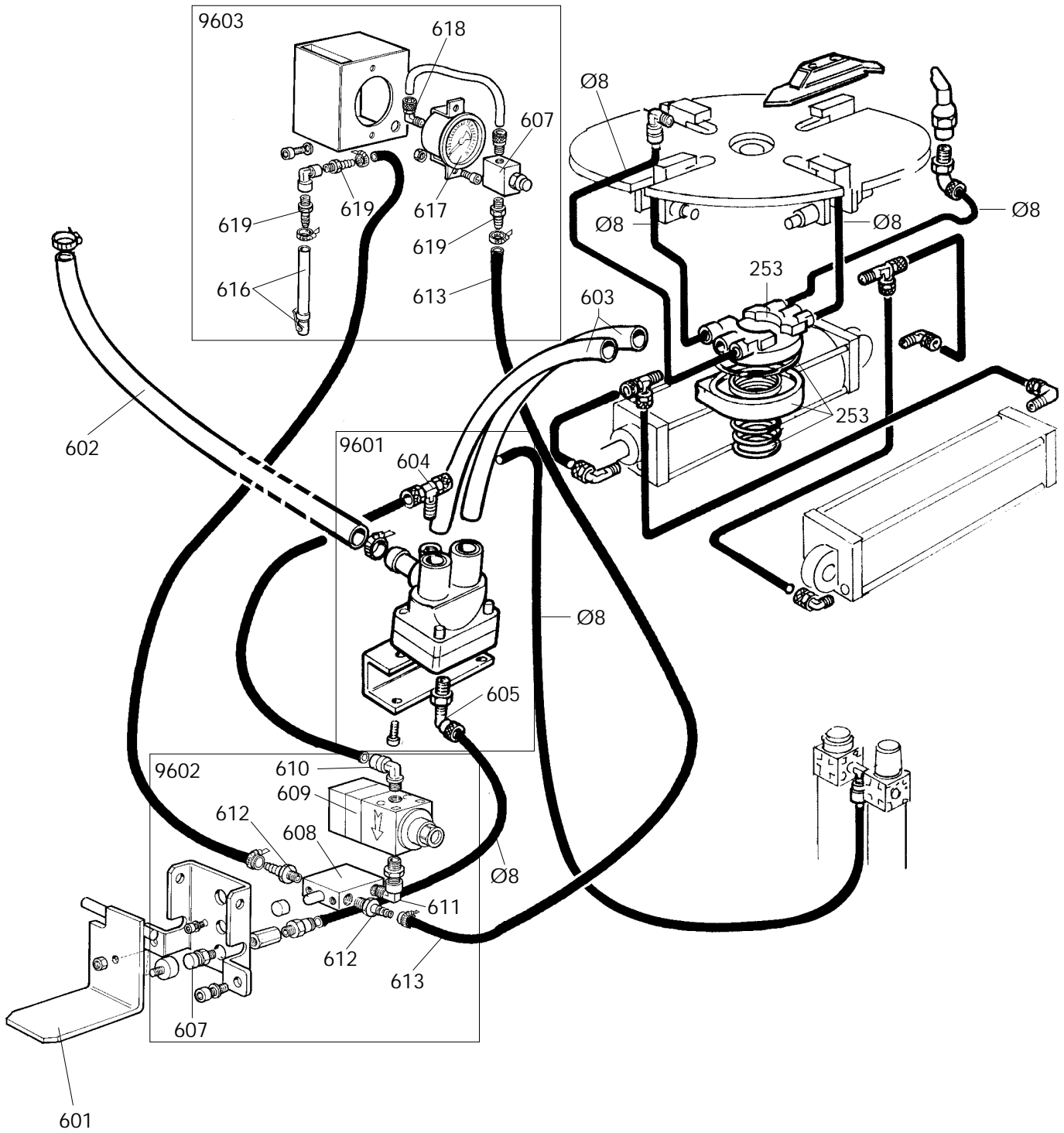
0401	900238212	KIT GUARNIZIONI	SEALS KIT	DICHTUNGSATZ	KIT JOINTS
0402	900424096	TAMPONE	PAD	PUFFER	TAMPON
0403	900424364	MOLLA	SPRING	FEDER	RESSORT
0404	900323903	FULCRO	FULCRUM	DREHPUNKT	ENTABLURE

9401	900231706	CILINDRO	CYLINDER	ZYLINDER	CYLINDRE
0358	900418350	RACCORDO	CONNECTOR	ANSCHLUSS	RACCORD
0406	900325561	RONDELLA	WASHER	UNTERLEGSCHIEBE	RONDELLE
0407	900434031	ANELLO	RING	RING	ANNEAU
0416	900252145	FLANGIA	FLANGE	FLANSCH	FLASQUE

9403	900249612	BRACCIO	ARM	ARM	BRAS
0408	900224000	PALETTA	BEAD BREAKER	SCHAUFEL	PELLE
0409	900224003	BRACCIO	ARM	ARM	BRAS
0410	950323901	RONDELLA	WASHER	UNTERLEGSCHIEBE	RONDELLE
0411	900339045	PERNO	PIN	ZAPFEN	PIVOT
0412	900324008	PERNO	PIN	ZAPFEN	PIVOT
0413	900409650	RONDELLA	WASHER	UNTERLEGSCHIEBE	RONDELLE
0414	900422255	DADO	NUT	MUTTER	ECROU
0417	900425219	MANOPOLA	KNOB	BALLENGRIFF	BOUTON



0502	900238204	KIT GUARNIZIONI	SEALS KIT	DICHTUNGSATZ	KIT JOINTS
9502	900243102	RIDUTTORE	GEAR BOX	GETRIEBE	REDUCTEUR
9502	900255772	RIDUTTORE (pneum.)	GEAR BOX (pn.)	GETRIEBE (pneum.)	REDUCTEUR (pneum.)
0506	900601220	CUSCINETTO	BEARING	LAGER	ROULEMENT
0507	900601221	CUSCINETTO	BEARING	LAGER	ROULEMENT
0508	900601280	SPINA ELASTICA	PIN	SPANNSTIFT	CHEVILLE
0509	900414344	PULEGGIA	PULLEY	RIEMENSCHLEIBE	POULIE
0509	900319073	PULEGGIA (pneum.)	PULLEY (pneum.)	RIEMENSCHLEIBE (pn.)	POULIE (pneum.)

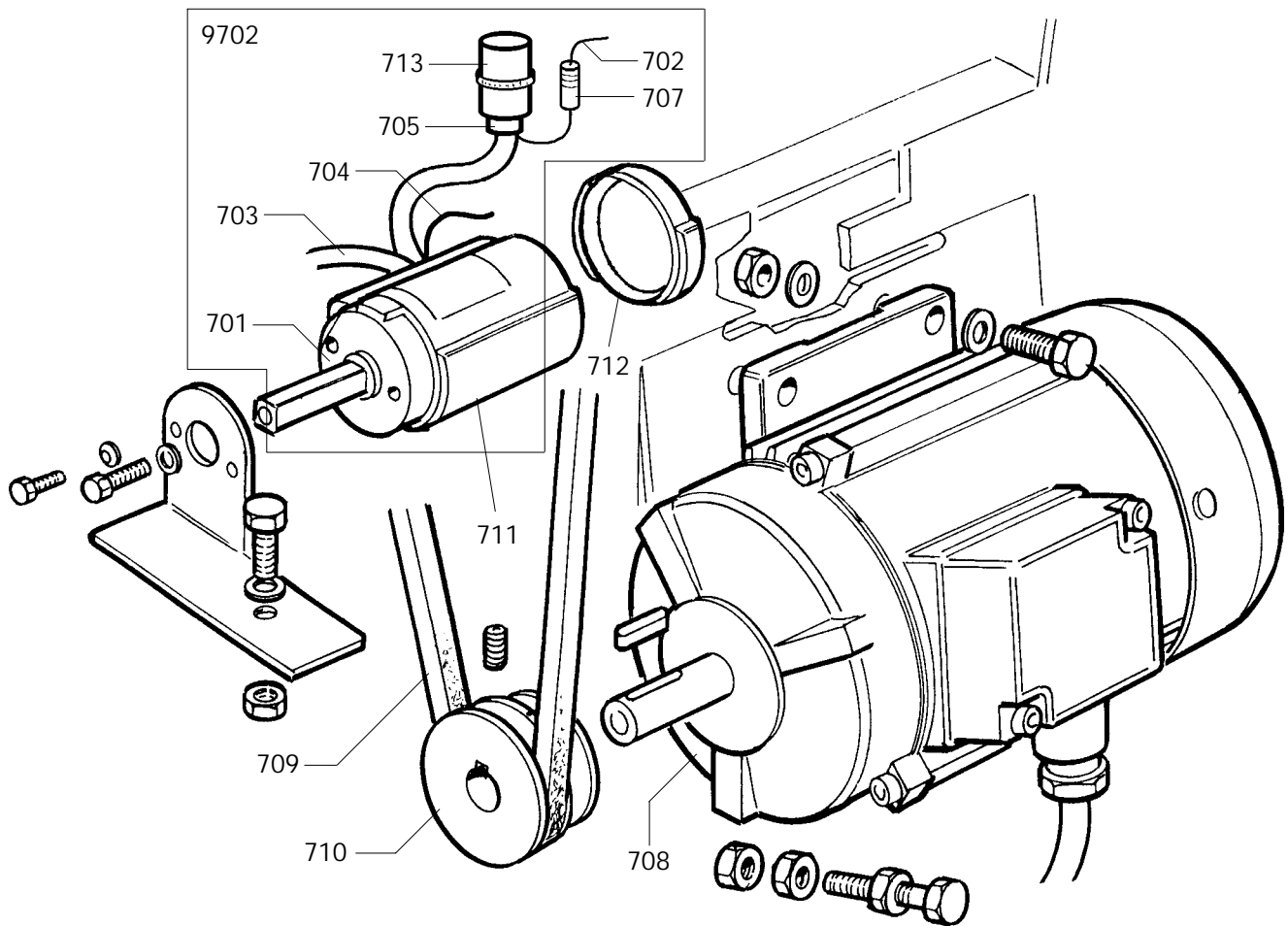


Ø6	900701684	TUBO	PIPE	ROHR	TUYAU
Ø8	900701683	TUBO	PIPE	ROHR	TUYAU
Ø10	900701875	TUBO	PIPE	ROHR	TUYAU
0253	900241841	RACCORDO	CONNECTOR	ANSCHLUSS	RACCORD
0601	900252625	PEDALE	PEDAL	PEDAL	PEDALE
0602	900346266	TUBO	PIPE	ROHR	TUYAU
0603	900342289	TUBO	PIPE	ROHR	TUYAU

9601	900241124	VALVOLA	VALVE	VENTIL	VANNE
0604	900438665	RACCORDO	CONNECTOR	ANSCHLUSS	RACCORD
0605	900441651	RACCORDO	CONNECTOR	ANSCHLUSS	RACCORD

9602	900252568	GRUPPO	ASSEMBLY	GRUPPE	GROUPE
0607	900235463	VALVOLA	VALVE	VENTIL	VANNE
0608	900452564	VALVOLA	VALVE	VENTIL	VANNE
0609	900452553	VALVOLA	VALVE	VENTIL	VANNE
0610	900450406	RACCORDO	CONNECTOR	ANSCHLUSS	RACCORD
0611	900418252	NIPPLO	CONNECTION	NIPPEL	NIPPLE
0612	900421137	INNESTO	CLUTCH	KUPPLUNG	EMBAYAGE
0613	900352614	TUBO	PIPE	ROHR	TUYAU

9603	900252600	SCATOLA	BOX	SCHACHTEL	BOITE
0607	900235463	VALVOLA	VALVE	VENTIL	VANNE
0613	900352614	TUBO	PIPE	ROHR	TUYAU
0616	900235462	TUBO	PIPE	ROHR	TUYAU
0617	900436364	MANOMETRO	PRESSURE GAUGEDRUCKMESSER		MANOMETRE
0618	900434180	RACCORDO	CONNECTOR	ANSCHLUSS	RACCORD
0619	900429536	INNESTO	CLUTCH	KUPPLUNG	EMBAYAGE

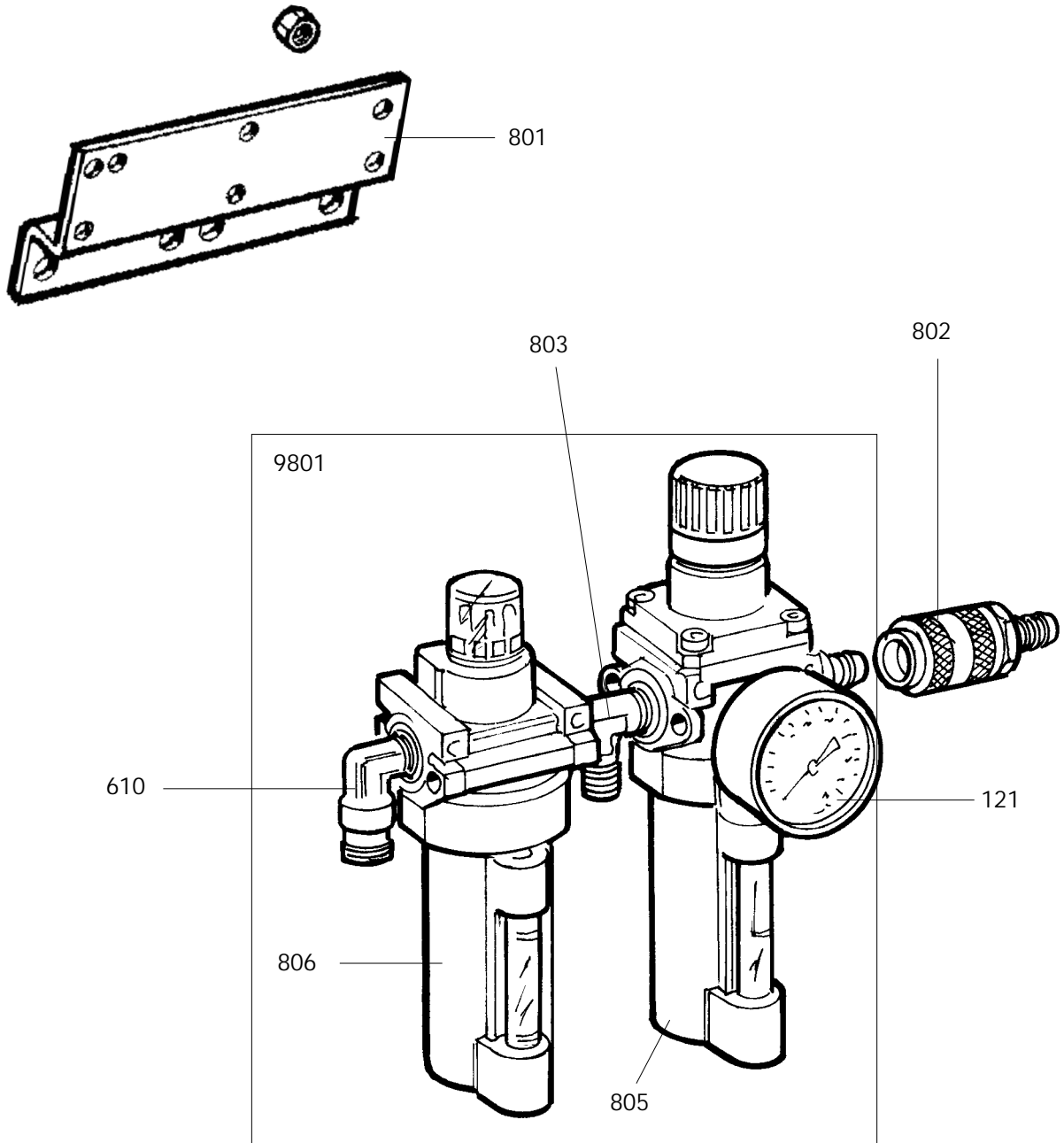


IMPIANTO ELETTRICO    ELECTRIC SYSTEM    ELEKTRISCHE ANLAGE    INSTALL. ELECTRIQUE

9702	900249882	110V 1ph	110V 1ph	110V 1ph	110V 1ph
0701	900435363	INVERTITORE	REVERSER	RICHTUNGSWENDER	INVERSEUR
0702	900230709	CAVO	CABLE	KABEL	CABLE
0703	900225419	CAVO	CABLE	KABEL	CABLE
0704	900225051	CAVALLOTTO	U-BOLT	BUEGELBOLZEN	CRAMPILLON
0705	900430750	CAPPELLOTTO	CAP NUT	ABSCHLUSSKAPPE	CAPUCHON
0707	900430770	RESISTENZA	RESISTANCE	WIDERSTAND	RESISTANCE
0713	900449751	CONDENSATORE	CAPACITOR	KONDENSATOR	CONDENSATEUR

9702	900235574	3ph	3ph	3ph	3ph
0701	900421523	INVERTITORE	REVERSER	RICHTUNGSWENDER	INVERSEUR
0702	900235518	CAVO	CABLE	KABEL	CABLE
0703	900239203	CAVO	CABLE	KABEL	CABLE
0704	900225051	CAVALLOTTO	U-BOLT	BUEGELBOLZEN	CRAMPILLON

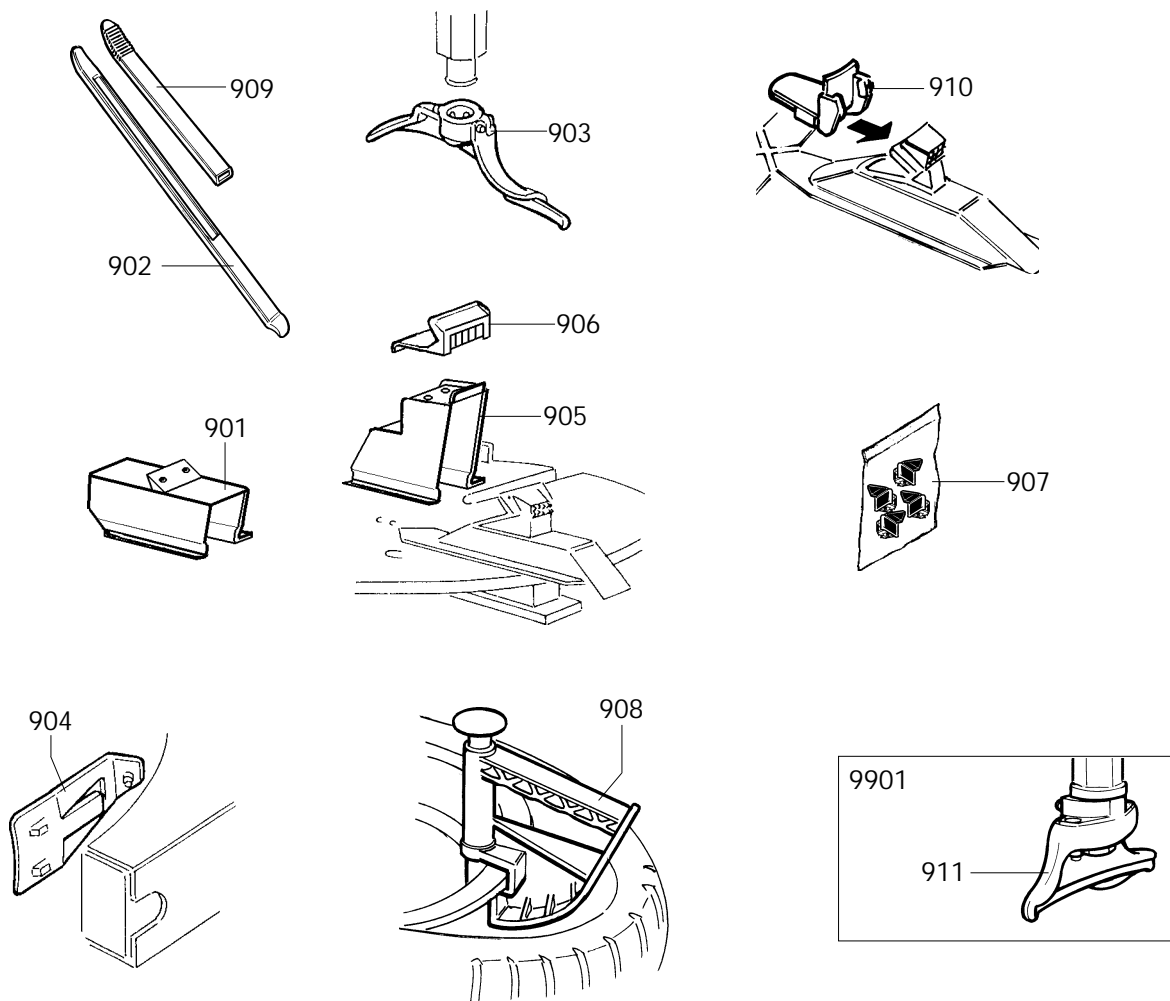
		MOTORE	MOTOR	MOTOR	MOTEUR
0708	950412959	380V 3ph	380V 3ph	380V 3ph	380V 3ph
0708	900449749	110V 1ph 60Hz	110V 1ph 60Hz	110V 1ph 60Hz	110V 1ph 60Hz
0709	900426352	CINGHIA	BELT	RIEMEN	COURROIE
0710	900325274	PULEGGIA	PULLEY	RIEMENSCHIEBE	POULIE
0711	900432065	PROTEZIONE	SHIELD	ABDECKUNG	PROTECTION
0712	900430991	COPERCHIO	LID	DECKEL	COUVERCLE



0121	900434818	MANOMETRO	PRESSURE GAUGE	DRUCKMESSER	MANOMETRE
0801	900335695	STAFFA	BRACKET	KLAUE	ETRIER
0802	900441899	GIUNTO	COUPLING	KUPPLUNG	ACCOUPEMENT
0803	900433873	RACCORDO	CONNECTOR	ANSCHLUSS	RACCORD
0610	900450406	RACCORDO	CONNECTOR	ANSCHLUSS	RACCORD

9801	900441901	FILTRO	FILTER	FILTER	FILTRE
0805	900439376	BICCHIERE	BOWL	GLAS	BOL
0806	900439377	BICCHIERE	BOWL	GLAS	BOL





901	900235745	ATTACCO	ADAPTOR	HALTERUNG	ATTAQUE
902	900444238	LEVA	LEVER	HEBEL	LEVIER
903	900228563	TORRETTA	M/D HEAD	DREHKOPF	TOURELLE
904	801225640	STALLONATORE	BEAD BREAKER	WULSTABDRUECKER	DETTALLONEUR
905	900235225	BLOCCAGGIO	LOCKING	SPERRE	BLOCAGE
906	900435202	CUNEO	WEDGE	KEIL	COIN
907	801242613	INSERTO	INSERT	EINLAGE	INSERT
908	801435685	PINZA	PLIERS	ZANGE	PINCE
909	801246241	PROTEZIONE	SHIELD	ABDECKUNG	PROTECTION
910	801243268	PROTEZIONE	SHIELD	ABDECKUNG	PROTECTION

9901	801250309	KIT torretta plastica	Plastic m/d head	Kunststoffmontagekopf	Tourelle plastique
911	900450310	Torretta plastica	Plastic m/d head	Kunststoffmontagekopf	Tourelle plastique

A series of horizontal dashed lines spanning the width of the page, providing a template for handwriting practice.

A series of horizontal dashed lines spanning the width of the page, providing a template for writing notes.

Il disegno è realizzato con tutti i particolari ma solo quelli codificati sono forniti come ricambi. L'Azienda si riserva la facoltà di apportare modifiche senza preavviso.



S.S. 468 n°9 - 42015 Correggio (RE) ITALY  
Tel. ++39 0522 639111 - Fax ++39 0522 639150  
[www.corgchi.com](http://www.corgchi.com) - [info@corgchi.com](mailto:info@corgchi.com)

The drawing shows all parts but only the coded parts are supplied as spares. The Company reserves the right to make modifications without prior notice.