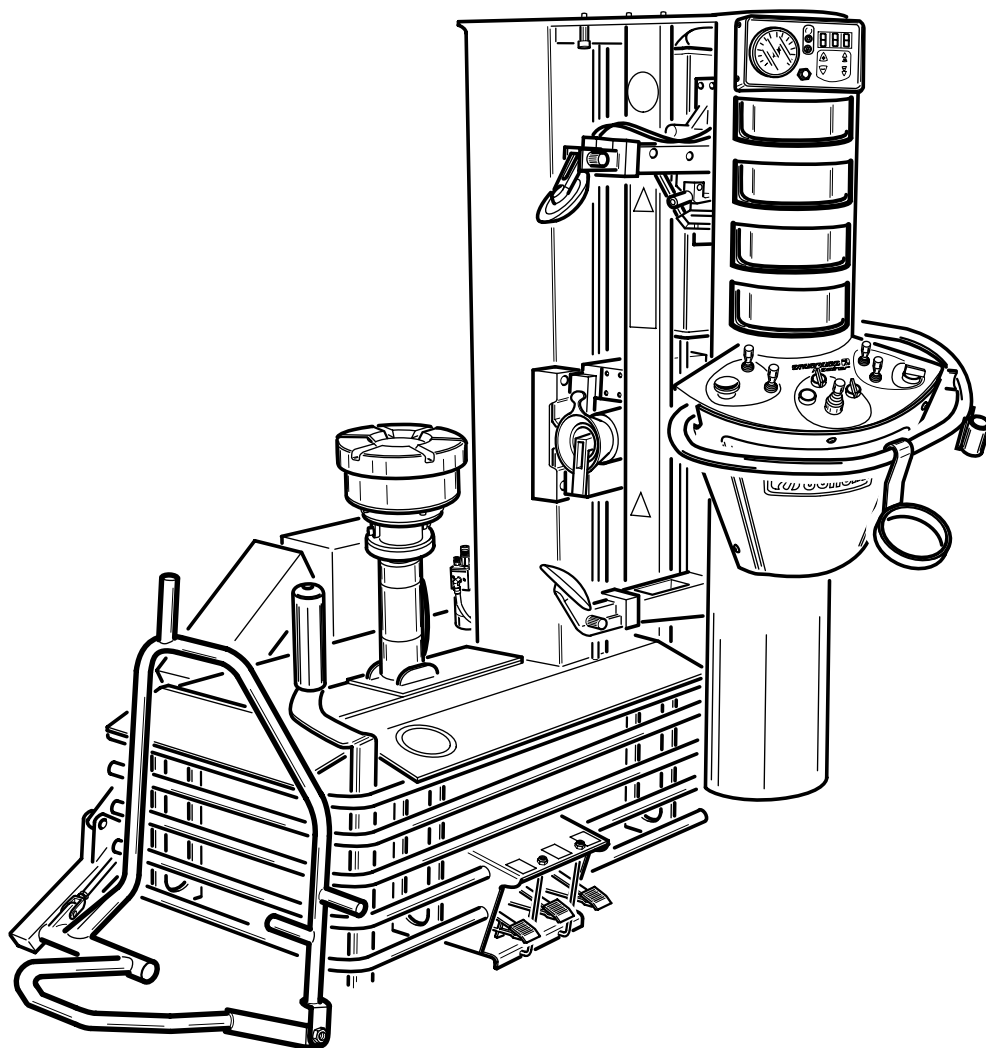


Questo libretto non autorizza l'utente ad intervenire sulle macchine ad esclusione di quanto esplicitamente descritto nel Manuale d'uso, ma consente all'utente di fornire informazioni precise all'Assistenza tecnica, al fine di ridurre i tempi di intervento.

# ARTIGLIO MASTER

The "Spare parts" booklet does not authorize the user to carry out work on the machine unless expressly specified in the instruction manual, but does enable him to provide accurate information to the assistance service in order to reduce downtime.

## PEZZI DI RICAMBIO SPARE PARTS LIST ERSATZTEILLISTE PIECES DE RECHANGE



Versione

**4.0**

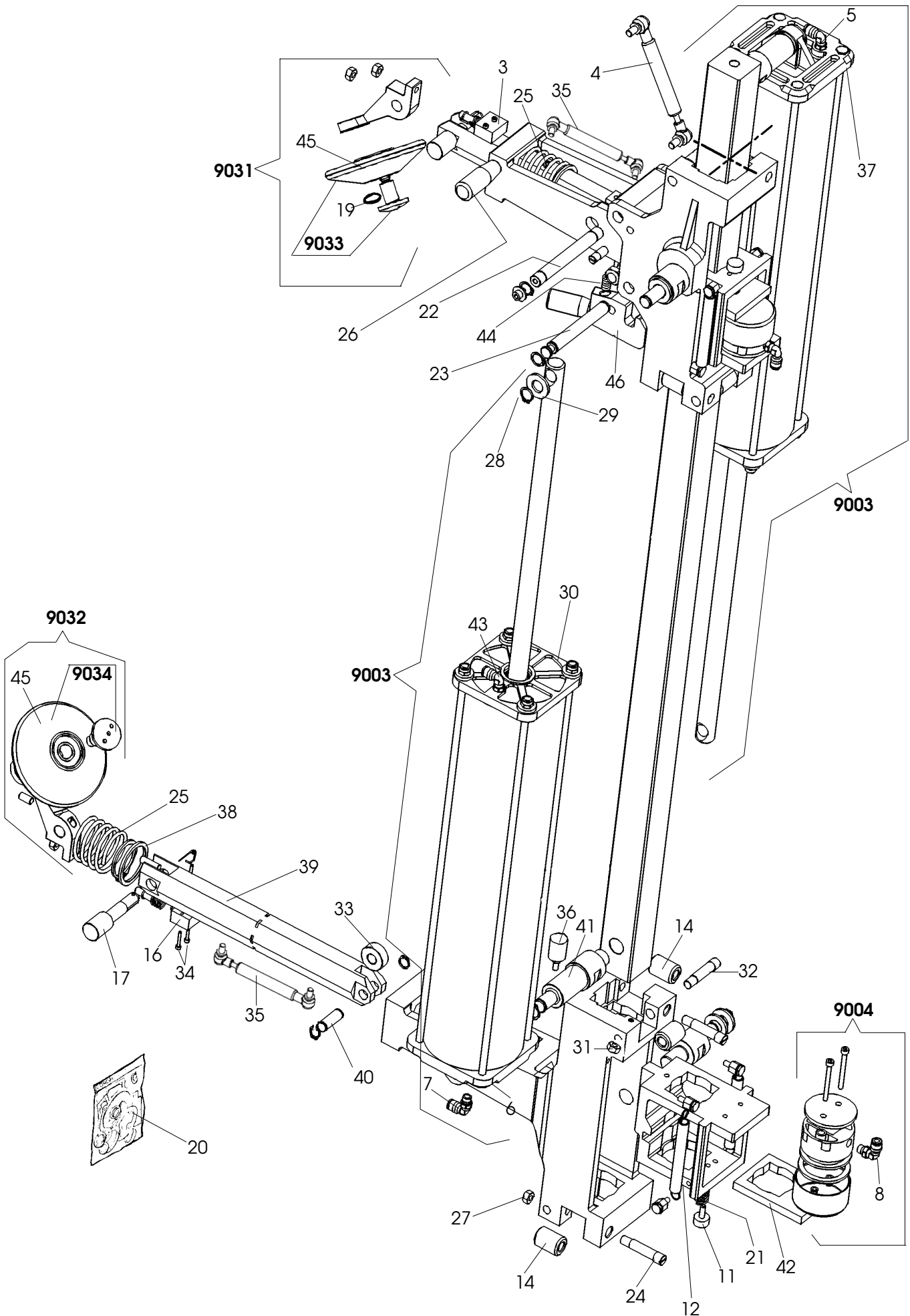
In produzione da  
Production from  
Herstellung ab  
Production


**05 / 04**

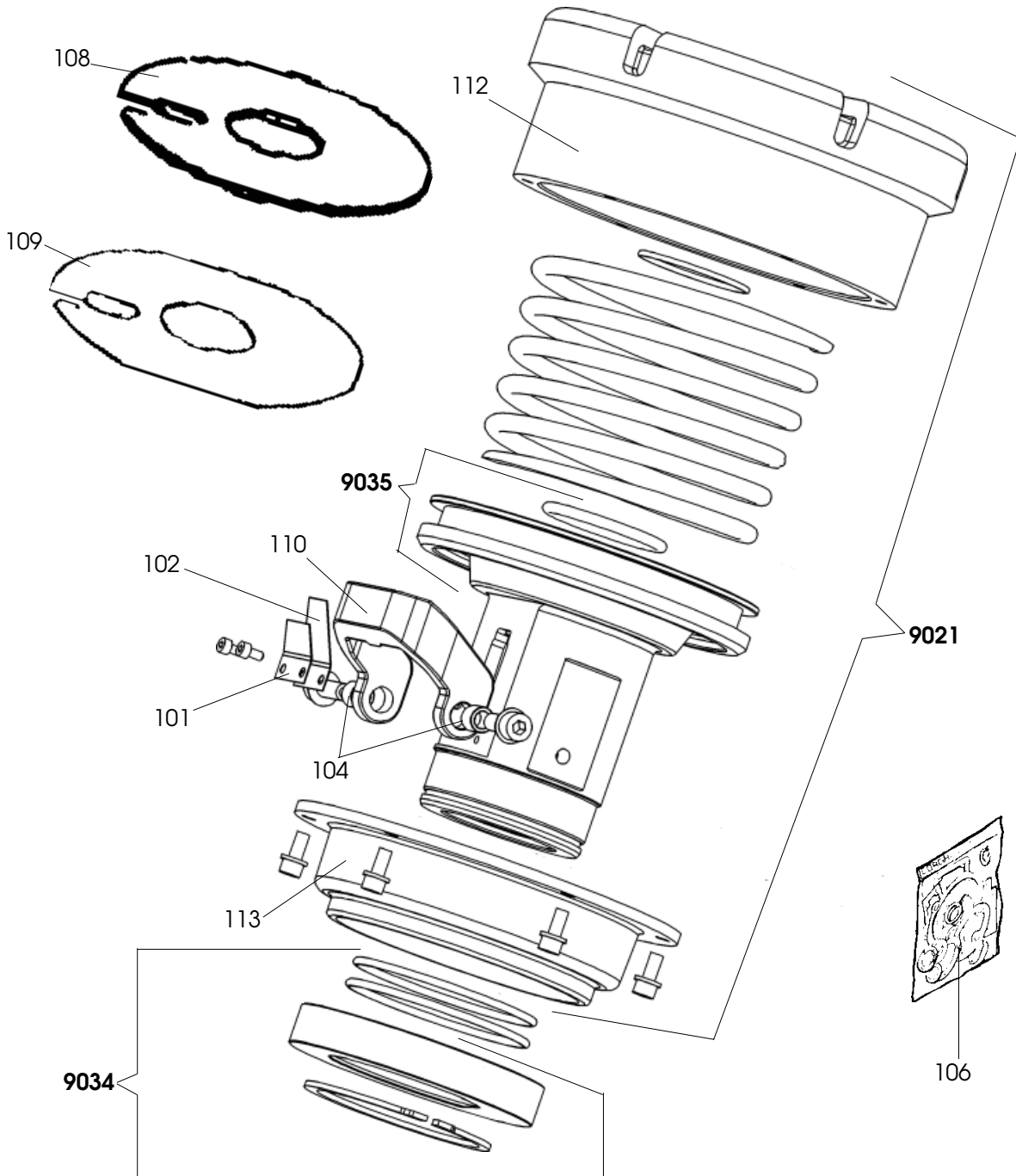
Der Katalog Ersatzteile stellt keine Genehmigung zu eigenmächtigen Eingriffen dar (mit Ausnahme jener im Handbuch beschriebenen), sondern er soll den Anwender in die Lage versetzen, dem technischen Service präzise Informationen zu liefern, um die Reparaturzeiten zu verkürzen.



Le livret "Pièces de rechange", n'autorise pas l'utilisateur à intervenir sur les machines, sauf pour tout ce qui est clairement décrit dans le manuel d'utilisation, mais lui permet de fournir des informations précises à l'assistance technique, afin de diminuer les délais d'intervention.

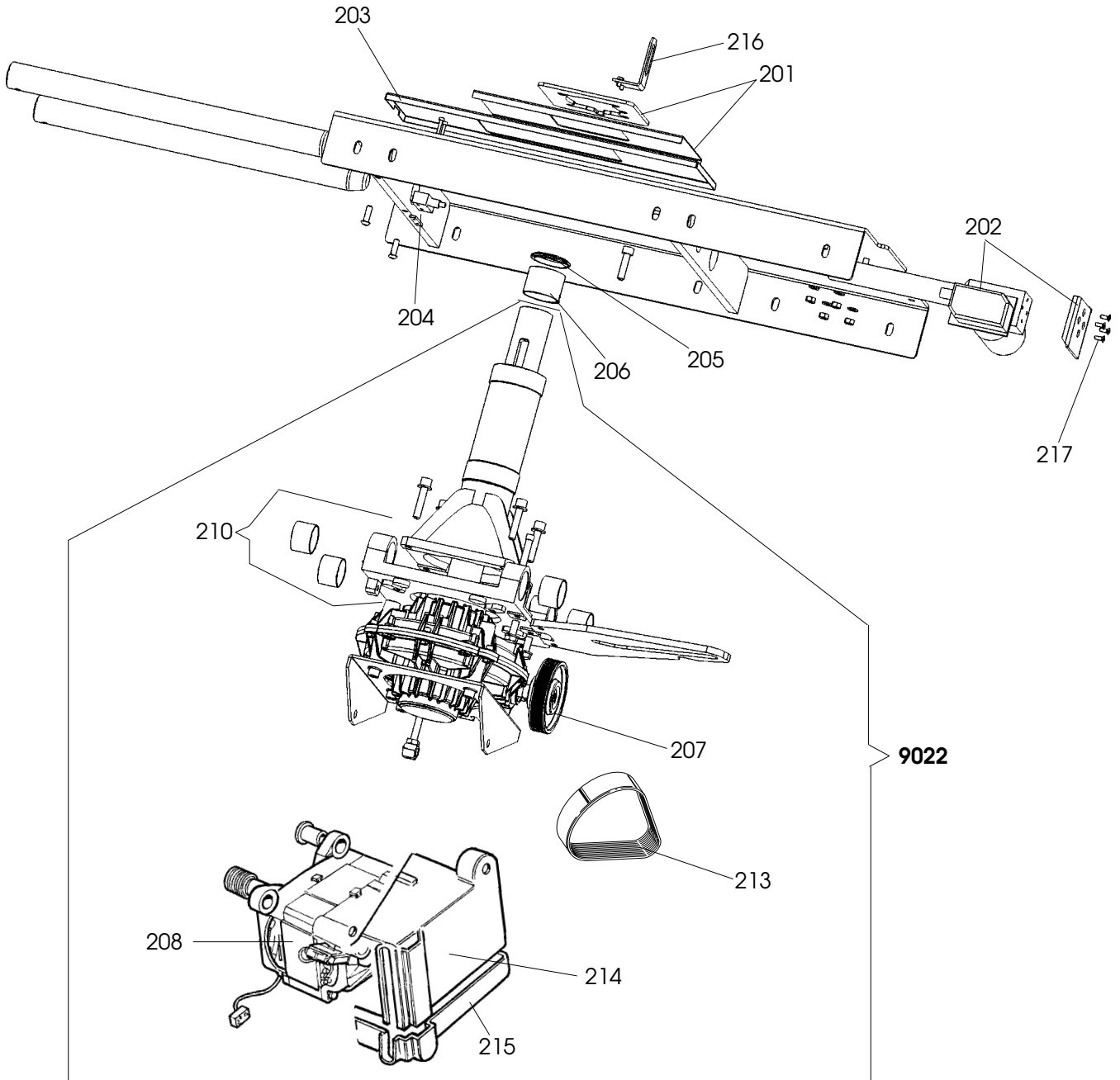


		ARTIGLIO MASTER	Fig. A	11/ 03	Stallonatore
<b>9031</b>	<b>9005-100077 DISCO COMPL.</b>	<b>DISK</b>	<b>SCHEIBE</b>	<b>DISQUE</b>	
9033	9005-100687 DISCO+PERNO SUP.	DISK+PIN	ZAPFENHITPIN	DISQUE+PIVOT	
0045	9005-100688 RULLO	ROLLER	WALZE	ROULEAU	
<b>9032</b>	<b>9005-100078 DISCO COMPL.</b>	<b>DISK</b>	<b>SCHEIBE</b>	<b>DISQUE</b>	
9034	9005-100686 DISCO+PERNO INF.	DISK+PIN	ZAPFENHITPIN	DISQUE+PIVOT	
0045	9005-100688 RULLO	ROLLER	WALZE	ROULEAU	
<b>9003</b>	<b>900261424 CILINDRO</b>	<b>CYLINDER</b>	<b>ZYLINDER</b>	<b>CYLINDRE</b>	
0037	900363627 FLANGIA	FLANGE	FLANSCH	FLASQUE	
<b>9004</b>	<b>900261436 PISTONE</b>	<b>PISTON</b>	<b>KOLBEN</b>	<b>PISTON</b>	
0008	9003-00220 RACCORDO	CONNECTOR	ANSCHLUSS	RACCORD	
0003	9003-01155 VALVOLA	VALVE	VENTIL	VANNE	
0004	900461434 AMMORTIZZATORE	SHOCK ABSORB.	STOSSDAEMPFER	AMORTISSEUR	
0007	900446939 RACCORDO	CONNECTOR	ANSCHLUSS	RACCORD	
0011	900461430 ANTIVIBRANTE	VIBRATION DAMPER	SCHWINGUNGSDAEMPFER	ANTI-VIBRATION	
0012	900461428 MOLLA	SPRING	FEDER	RESSORT	
0014	900361396 RULLO	ROLLER	WALZE	ROULEAU	
0016	900461435 MOLLA	SPRING	FEDER	RESSORT	
0017	900361418 PERNO	PIN	ZAPFEN	PIVOT	
0019	900421833 GUARNIZIONE	SEAL	DICHTUNG	JOINT	
0020	900245067 KIT GUARN.(9003)	SEALS KIT(9003)	DICHTUNGSATZ(9003)	KIT JOINTS(9003)	
0021	900462646 MOLLA	SPRING	FEDER	RESSORT	
0022	900361422 PERNO	PIN	ZAPFEN	PIVOT	
0023	900361423 PERNO	PIN	ZAPFEN	PIVOT	
0024	900363190 ECCENTRICO	ECCENTRIC	NOCKEN	EXCENTRIQUE	
0025	900463167 MOLLA	SPRING	FEDER	RESSORT	
0026	900461432 MANIGLIA	HANDLE	HANDGRIFF	POIGNEE	
0027	9002-03127 DADO	NUT	MUTTER	ECROU	
0028	900601122 ANELLO	RING	RING	ANNEAU	
0029	900345032 RONDELLA	WASHER	UNTERLEGSHEIBE	RONDELLE	
0030	900342900 FLANGIA	FLANGE	FLANSCH	FLASQUE	
0031	9002-71520 DADO	NUT	MUTTER	ECROU	
0032	900363191 ECCENTRICO	ECCENTRIC	NOCKEN	EXCENTRIQUE	
0033	900361389 ROTELLA	WHEEL	READCHEN	RUOLETTE	
0034	900601150 VITE	SCREW	SCHRAUBE	VIS	
0035	900463164 AMMORTIZZATORE	SHOCK ABSORB.	STOSSDAEMPFER	AMORTISSEUR	
0036	900462713 ANTIVIBRANTE	VIBRATION DAMPER	SCHWINGUNGSDAEMPFER	ANTI-VIBRATION	
0038	900361395 RONDELLA	WASHER	UNTERLEGSHEIBE	RONDELLE	
0039	9004-100182 BARRA ESAGONALE	BAR	STANGE	BARRE	
0040	900361390 PERNO	PIN	ZAPFEN	PIVOT	
0041	900361392 ATTACCO CILIND.	SUPPORT	LAGER	SUPPORT	
0042	900361415 STROZZATORE	THROTLER	BROSSERKLAPPE	ETRANGLEUR	
0043	900438664 RACCORDO	CONNECTOR	ANSCHLUSS	RACCORD	
0044	900461435 MOLLA	SPRING	FEDER	RESSORT	
0046	900361385 GANCIO STAL.	HOOK	HAKEN	CROCKET	

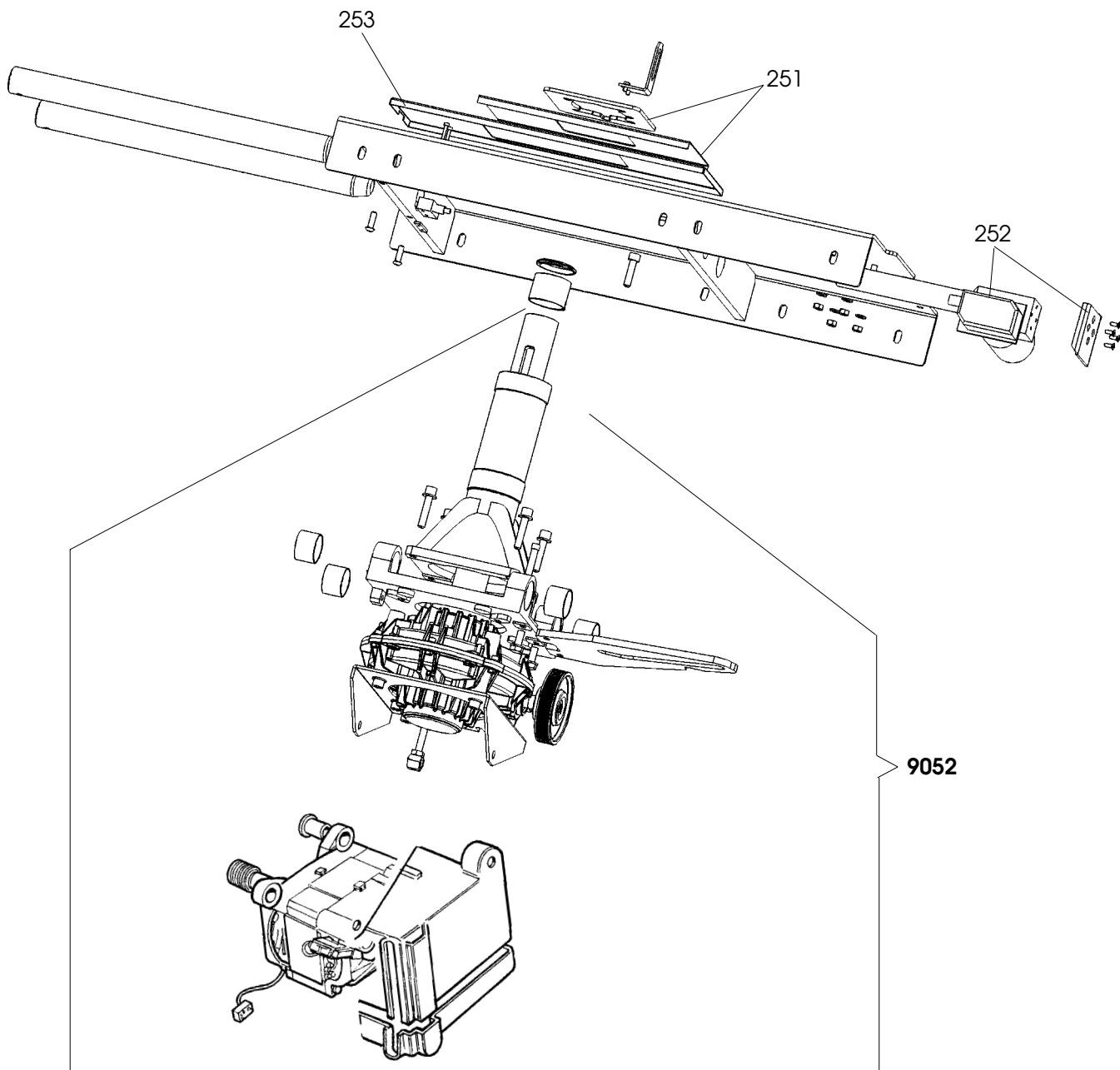


9021	900261292	AUTOCENTRANTE	TURNTABLE	SPANNFUTTER	PLATEAU AUTOCENTREUR
9035	9005-100823	PISTONE	PISTON	KOLBEN	PISTON
0101	900361285	BALESTRA	LEAF SPRING	BLATTFEDER	RESSORT A LAMES
0102	900361279	BALESTRA	LEAF SPRING	BLATTFEDER	RESSORT A LAMES
0110	900361284	CRICETTO	CRICK	SPERRKLINKE	CLIQUET
0104	900361278	DISTANZIALE	SPACER	ABSTANDSSTUECK	ENTRETOISE
0112	900361281	CENTRAGGIO RUOT. SPIGOT		ZENTRIERUNG	CENTRAGE
0113	900361283	COPERCHIO	LID	DECKEL	COUVERCLE

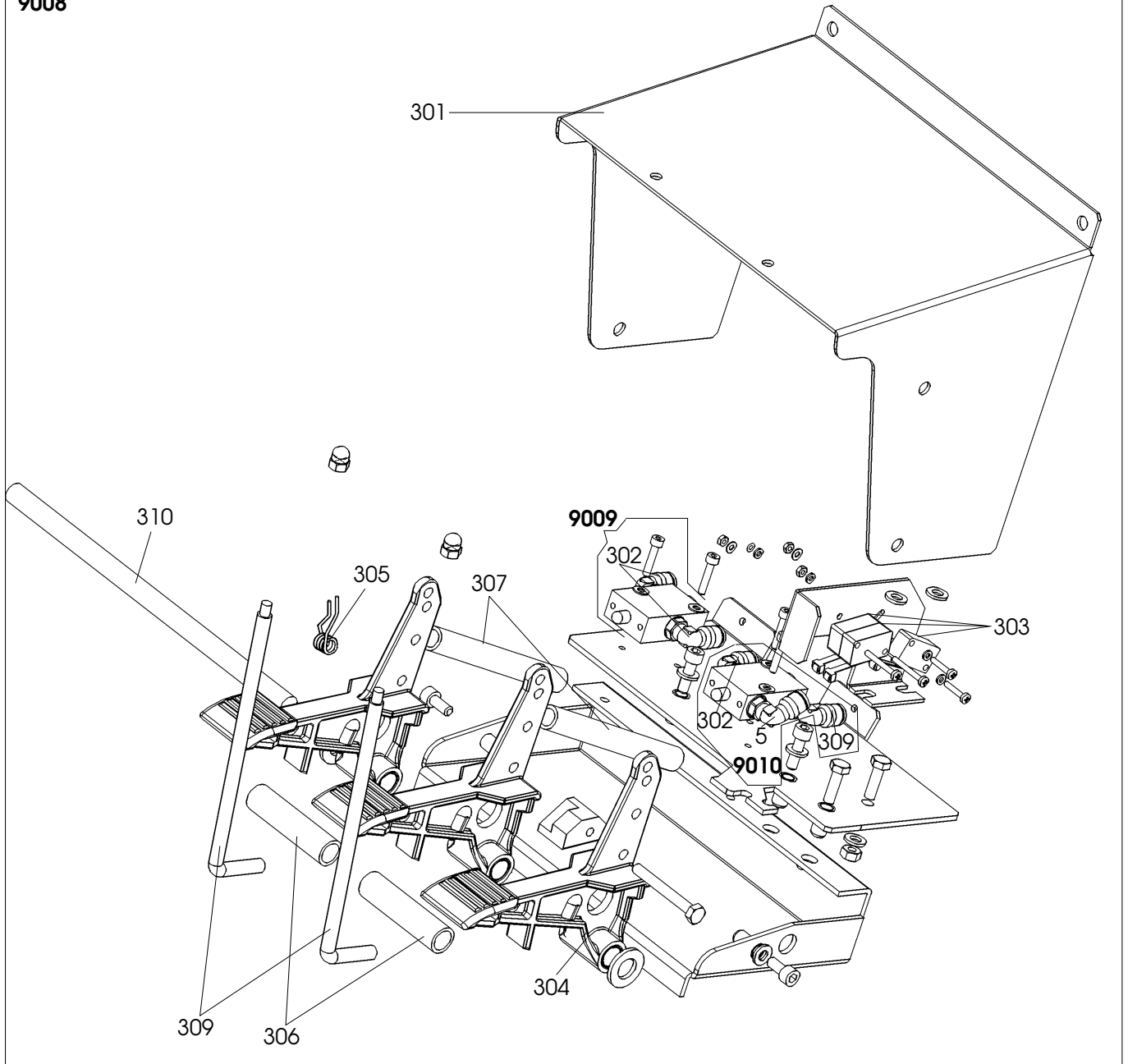
9034	9005-100869	RACCORDO	CONNECTOR	ANSCHLUSS	RACCORD
0106	900262383	KIT GUARN. (9008)	SEALS KIT (9008)	DICHTUNGSATZ (9008)	KIT JOINTS (9008)
0108	900462098	PIATTELLO	PLATE	TELLERSCHEIBE	COUPELLE
0109	900462825	KIT 24 PROTEZIONI	SET 24 SHIELD	24 SATZADBECKUNG	KIT 24 PROTECTION



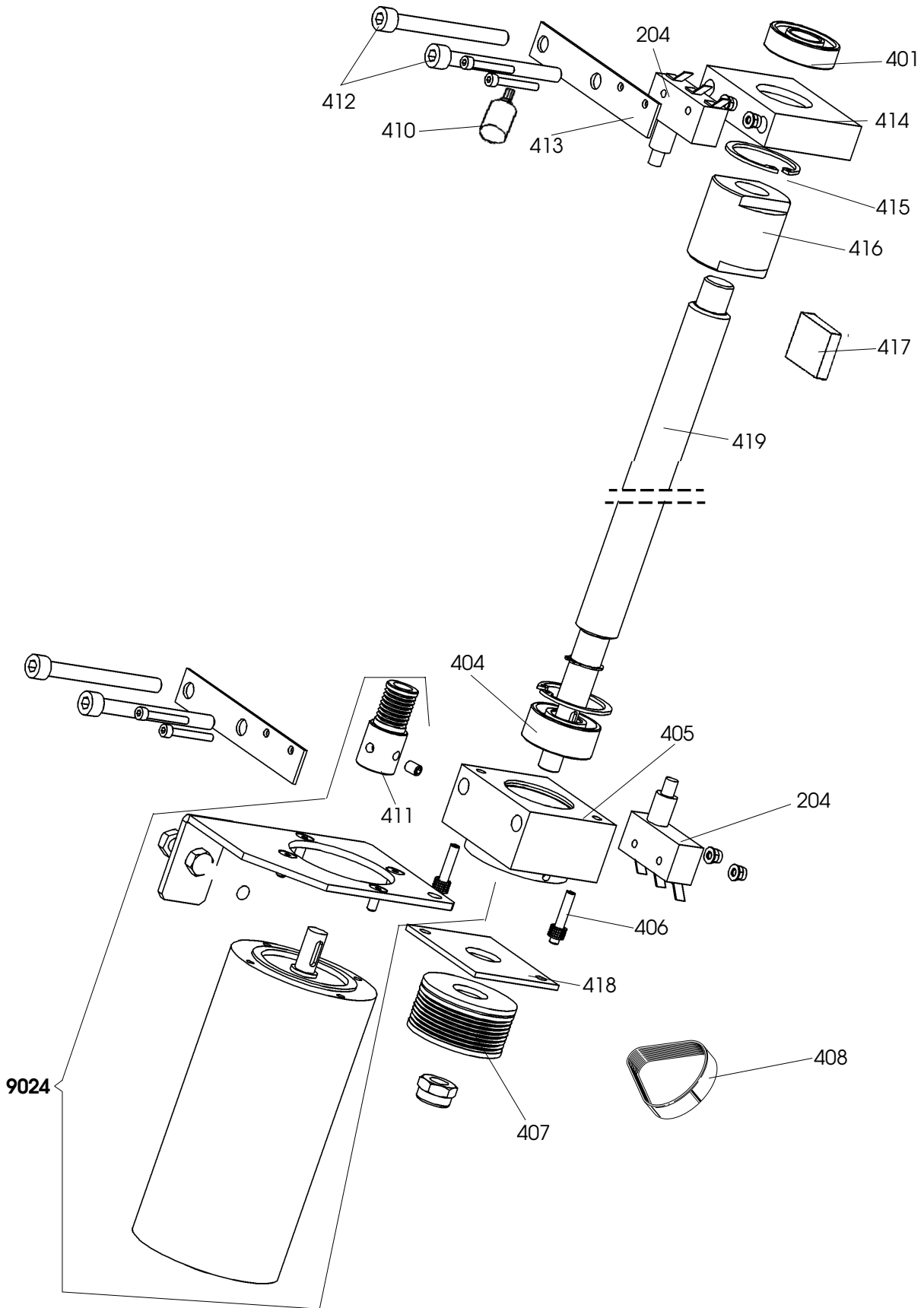
9022	900261584	RIDUTTORE	GEAR BOX	GETRIEBE	REDUCTEUR
0207	900354082	PULEGGIA	PULLEY	RIEMENSCHIEBE	POULIE
0208	900251870	MOTORE	MOTOR	MOTOR	MOTEUR
0210	900261583	CARRELLO	TROLLEY	WAGEN	CHARIOT
0213	900454084	CINGHIA	BELT	RIEMEN	COURROIE
0214	900444857	COPERCHIO	LID	DECKEL	COUVERCLE
0215	900444858	COPERCHIO	LID	DECKEL	COUVERCLE
0216	900361546	ANTIROTAZIONE	BRACKET	KLAVE	ETRIER
0217	900361552	VITE	SCREW	SCHRAUBE	VIS
0201	900261660	PROTEZIONE	SHIELD	ABDECKUNG	PROTECTION
0202	900262388	ATTUATORE	ACTUATOR	DREHTRIEB	ACTUATEUR
0203	900361549	LAMIERA	METAL SHEET	BLECH	TOLE
0204	900461380	MICROINTERR.	MICROSWITCH	MIKROSCHALTER	MICROINTERRUPTEUR
0205	9003-01165	RASCHIAOLIO	SCRAPER RING	OELABSTREIFRING	RACLETTA
0206	9003-01162	BOCCOLA	BUSHING	LAGER	DOUILLE



9052	9005-100166 RIDUTTORE	GEAR BOX	GETRIEBE	REDUCTEUR
0251	9004-100305 PROTEZIONE	SHIELD	ABDECKUNG	PROTECTION
0252	9005-100562 ATTUATORE	ACTUATOR	DREHTRIEB	ACTUATEUR
0253	9004-100307 LAMIERA	METAL SHEET	BLECH	TOLE

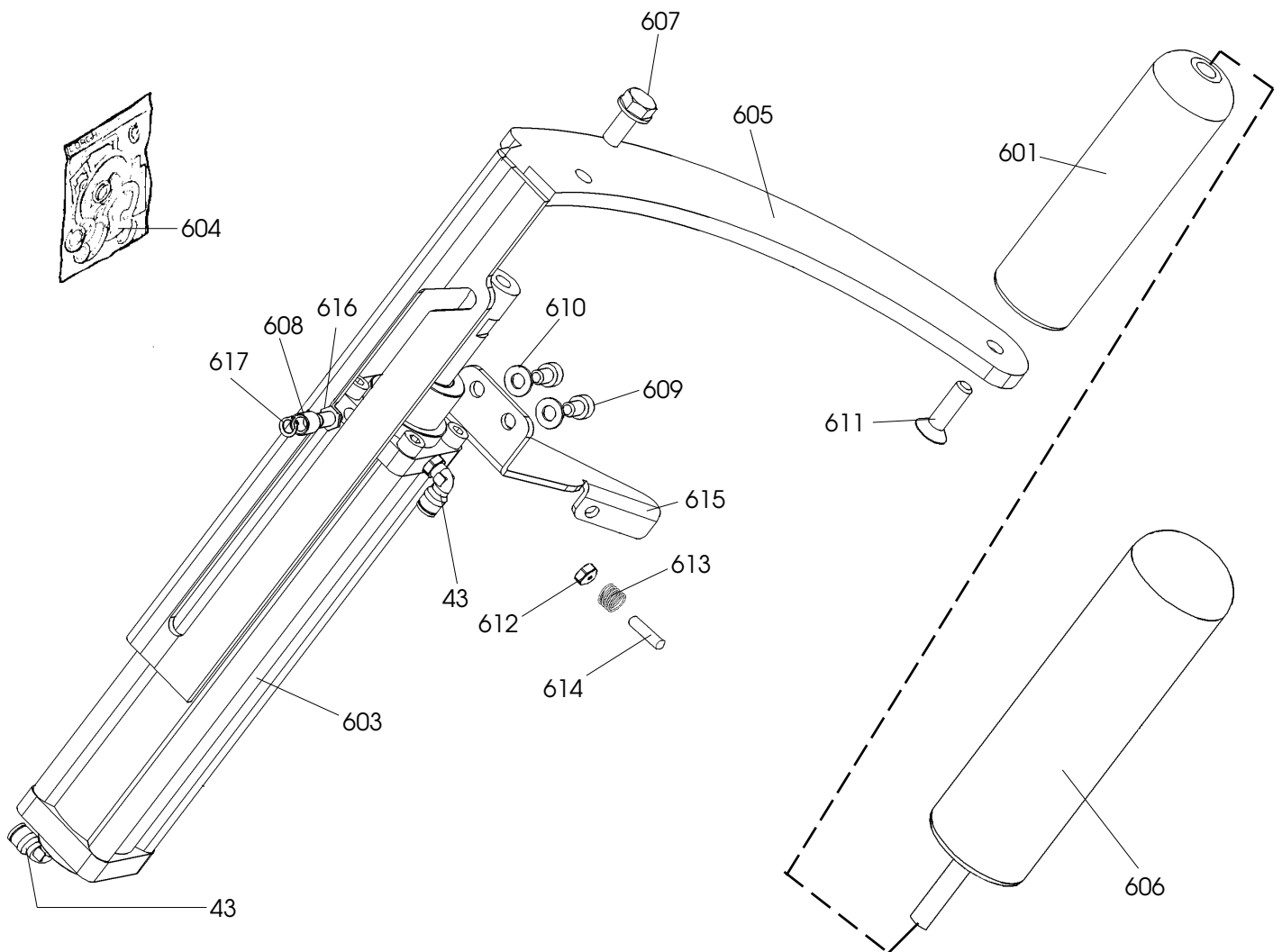
**9008**


<b>9008</b>	<b>900261980</b>	<b>PEDALIERA</b>	<b>CONTROL PEDAL</b>	<b>PEDALERIE</b>	<b>GR.PEDALES</b>
<b>9009</b>	<b>900261525</b>	<b>VALVOLA</b>	<b>VALVE</b>	<b>VENTIL</b>	<b>VANNE</b>
0302	900440868	RACCORDO	CONNECTOR	ANSCHLUSS	RACCORD
<b>9010</b>	<b>900261979</b>	<b>VALVOLA</b>	<b>VALVE</b>	<b>VENTIL</b>	<b>VANNE</b>
0005	900440870	RACCORDO	CONNECTOR	ANSCHLUSS	RACCORD
0302	900440868	RACCORDO	CONNECTOR	ANSCHLUSS	RACCORD
0301	900361536	COPERCHIO	LID	DECKEL	COUVERCLE
0303	900440874	MICROINTERR.	MICROSWITCH	MIKROSCHALTER	MICROINTERRUPTEUR
0304	900252010	PEDALE	PEDAL	PEDAL	PEDALE
0305	900428682	MOLLA	SPRING	FEDER	RESSORT
0306	900361534	DISTANZIALE	SPACER	ABSTANDSSTUECK	ENTRETOISE
0307	900410628	MOLLA	SPRING	FEDER	RESSORT
0309	900361537	PROTEZIONE	SHIELD	ABDECKUNG	PROTECTION
0310	9004-102179	PERNO	PIN	ZAPFEN	PIVOT




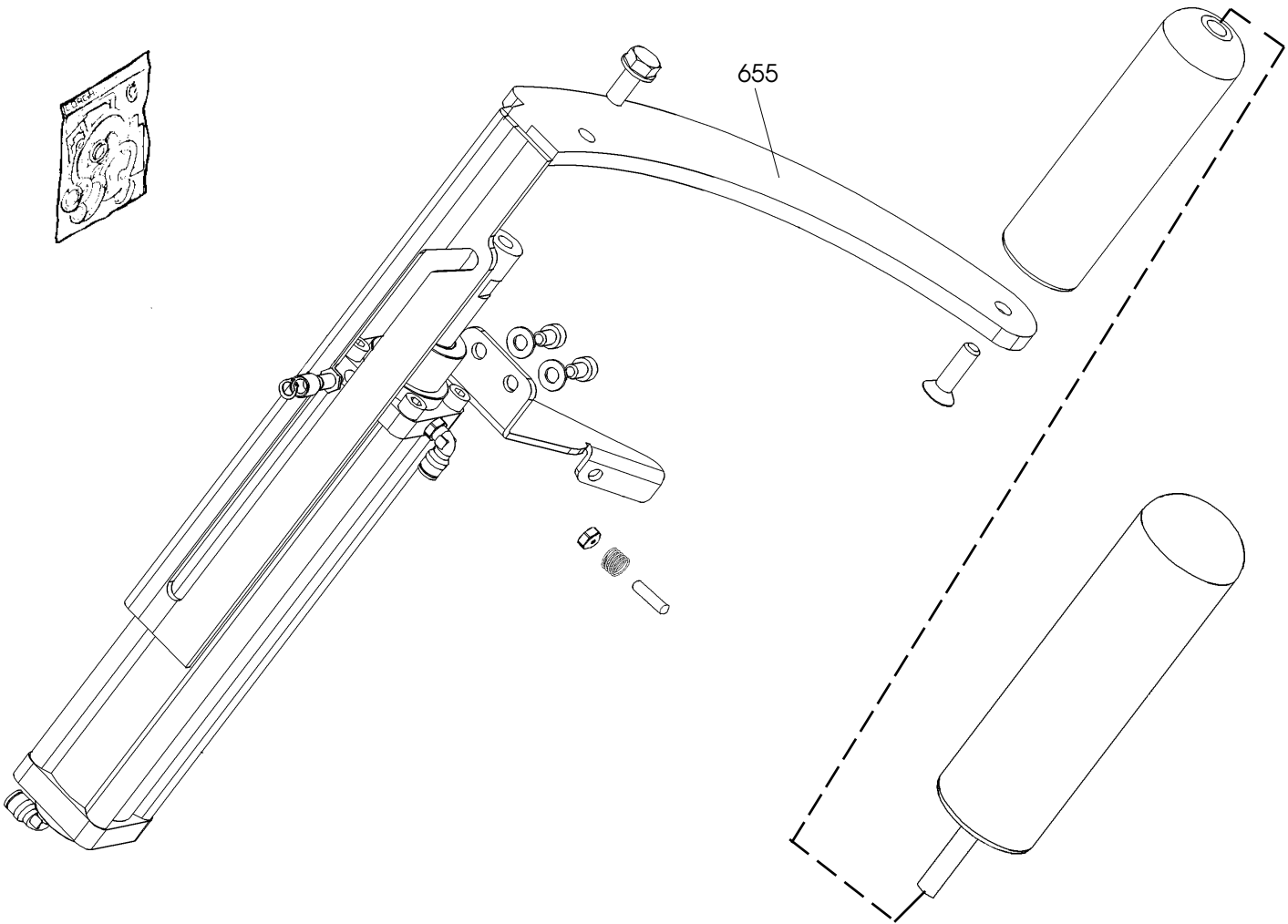


9024	900262715	MOTORE C/SUPP.	SUPP.WITH MOTOR		MOTOR	MOTEUR
0411	9004-101616	PULEGGIA	PULLEY	REIMENSCHLEIBE	POULIE	
0204	900461380	MICROINTERR.	MICROSWITCH	MIKROSCHALTER	MICROINTERRUPTEUR	
0401	9002-03071	CUSCINETTO	BEARING	LAGER	ROULEMENT	
0403	900361597	PULEGGIA	PULLEY	RIEMENSCHLEIBE	POULIE	
0404	9002-03070	CUSCINETTO	BEARING	LAGER	ROULEMENT	
0405	900261622	ELETTROMAGNETE	ELECTROMAGNETE	ELEKTROMAGNET	ELECTRO-AIMANT	
0406	900461610	MOLLA	SPRING	FEDER	RESSORT	
0407	900261632	PULEGGIA	PULLEY	RIEMENSCHLEIBE	POULIE	
0408	9003-01167	CINGHIA	BELT	RIEMEN	COURROIE	
0410	900461612	ANTIVIBRANTE	VIBRATION DAMPER	SCHWINGUNGSDAEMPFER	ANTI-VIBRATION	
0412	900601312	VITE	SCREW	SCHRAUBE	VIS	
0413	900361608	LAMIERA	METAL SHEET	BLECH	TOLE	
0414	900361601	SUP.CUSCINETTO	SUP.BEARING	LAGER LAGER	SUP.ROULEMENT	
0415	900600013	ANELLO	RING	RING	ANNEAU	
0416	900361603	CHIOCCIOLA	SCROLL	SCHRAUBE	ECROU	
0417	900461498	FELTRO	FELT	FILZ	FEUTRE	
0418	900361599	PIATTO FRENANTE	PLATE	TELLER	PLAT	
0419	900361598	ALBERO TRASL	SHAFT	WELLE	ARBRE	



0601	900361315	SUPPORTO	SUPPORT	LAGER	SUPPORT
0043	900438664	RACCORDO	CONNECTOR	ANSCHLUSS	RACCORD
0603	900261326	CILINDRO	CYLINDER	ZYLINDER	CYLINDRE
0604	900262384	KIT GUARN.(603)	SEALS KIT(603)	DICHTUNGSATZ(603)	KIT JOINTS(603)
0605	900261323	LAMIERA	METAL SHEET	BLECH	TOLE
0606	900262852	PROLUNGA	EXTENSION CORD	VERLAENGERUNG	RALLONGE
0607	9002-02184	VITE	SCREW	SCHRAUBE	VIS
0608	900361320	RULLO	ROLLER	WALZE	ROULEAU
0609	900600319	VITE	SCREW	SCHRAUBE	VIS
0610	900600212	RONDELLA	WASHER	UNTERLEGSHEIBE	RONDELLE
0611	9002-02299	VITE	SCREW	SCHRAUBE	VIS
0612	900600152	DADO	NUT	MUTTER	ECROUXXXX
0613	900462079	MOLLA	SPRING	FEDER	RESSORT
0614	900361318	PERNO	PIN	ZAPFEN	PIVOT
0615	900361319	SUPPORTO	SUPPORT	LAGER	SUPPORT
0616	900361330	FLANGIA	FLANGE	FLANSCH	FLASQUE
0617	900361321	PERNO	PIN	ZAPFEN	PIVOT

	ARTIGLIO MASTER 26"	Fig. H1	01 / 04	Alzatalloni
----------------------------------------------------------------------------------	---------------------	---------	---------	-------------

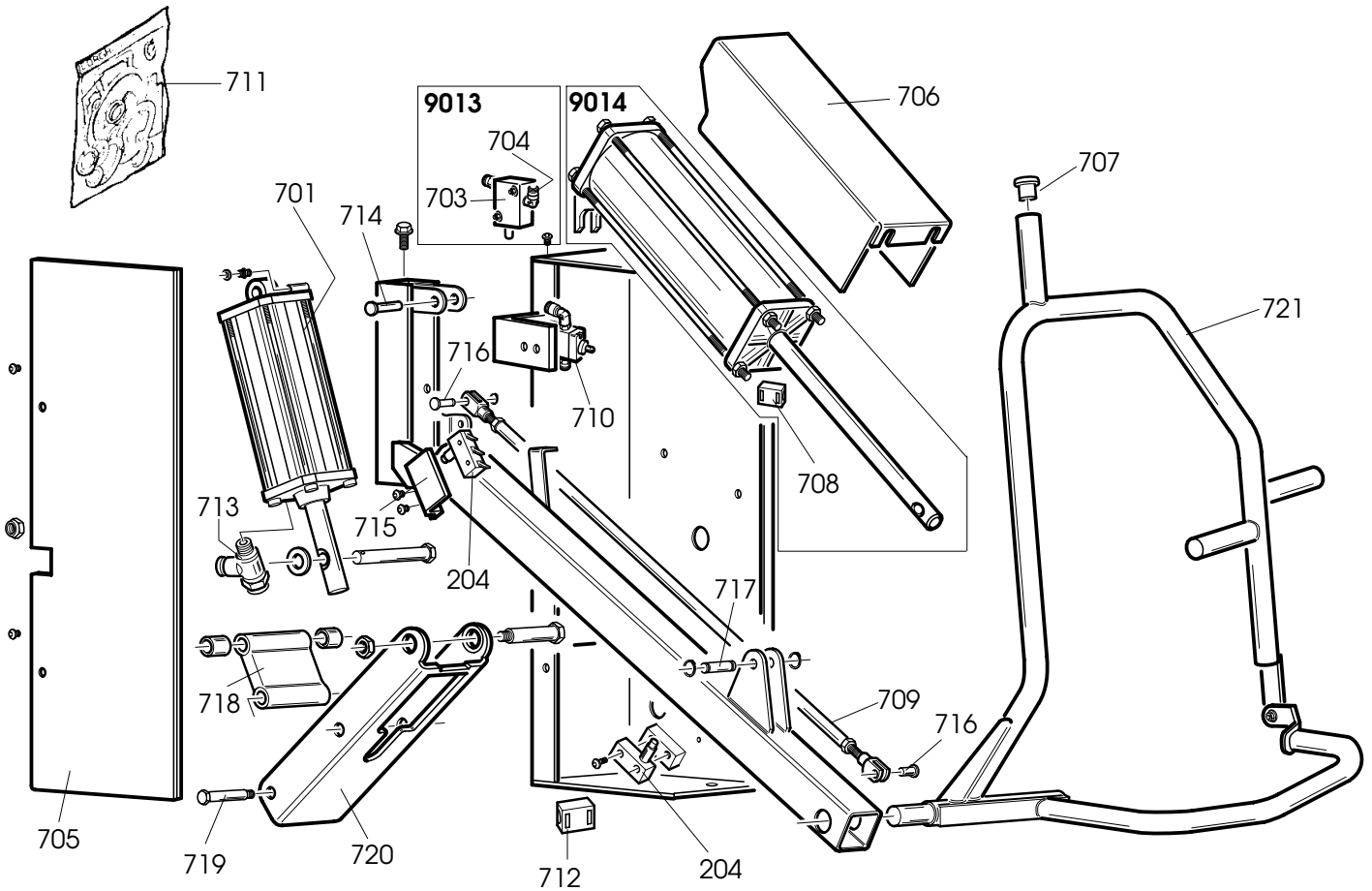


0655 9004-100345 LAMIERA

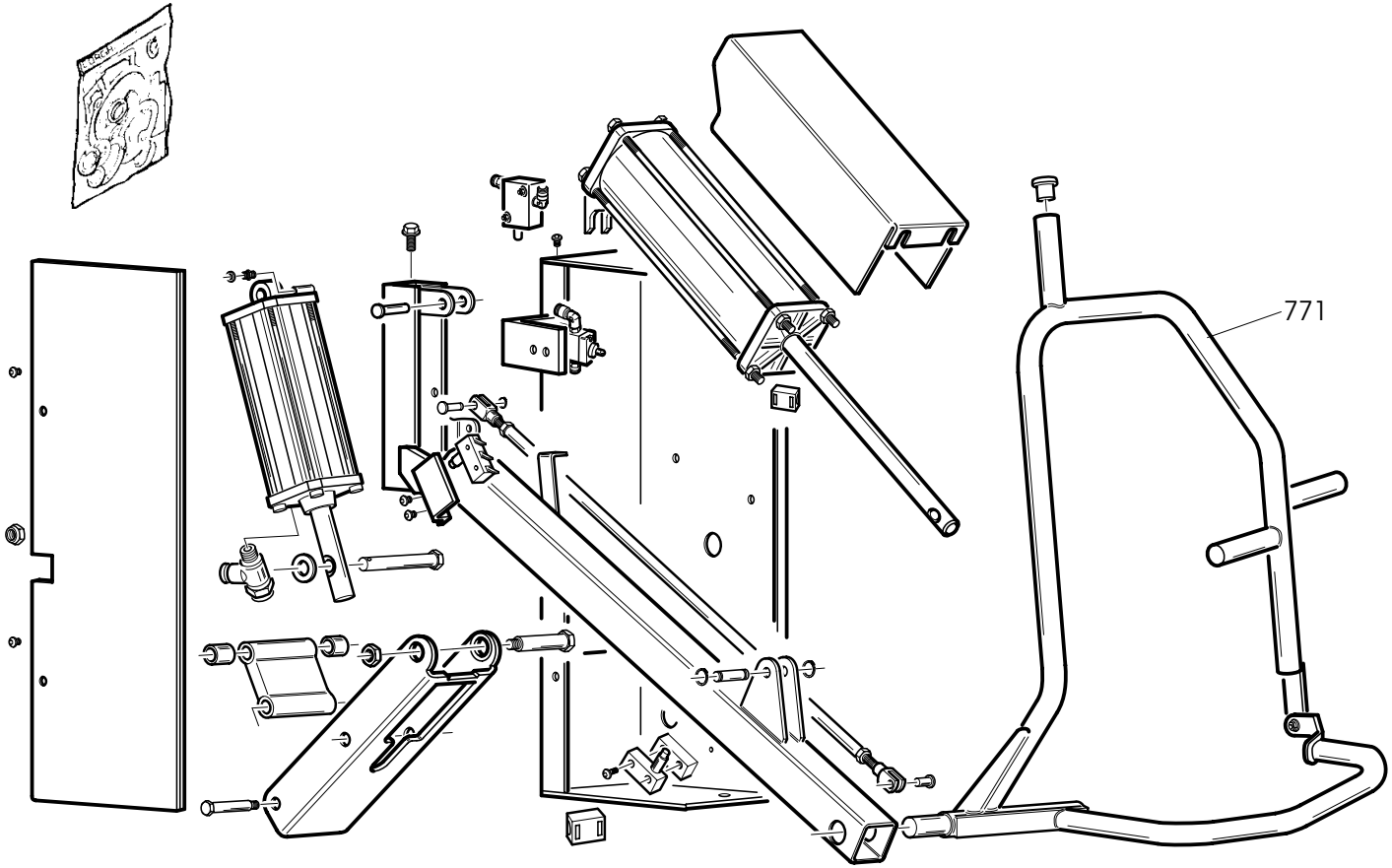
METAL SHEET

BLECH

TOLE



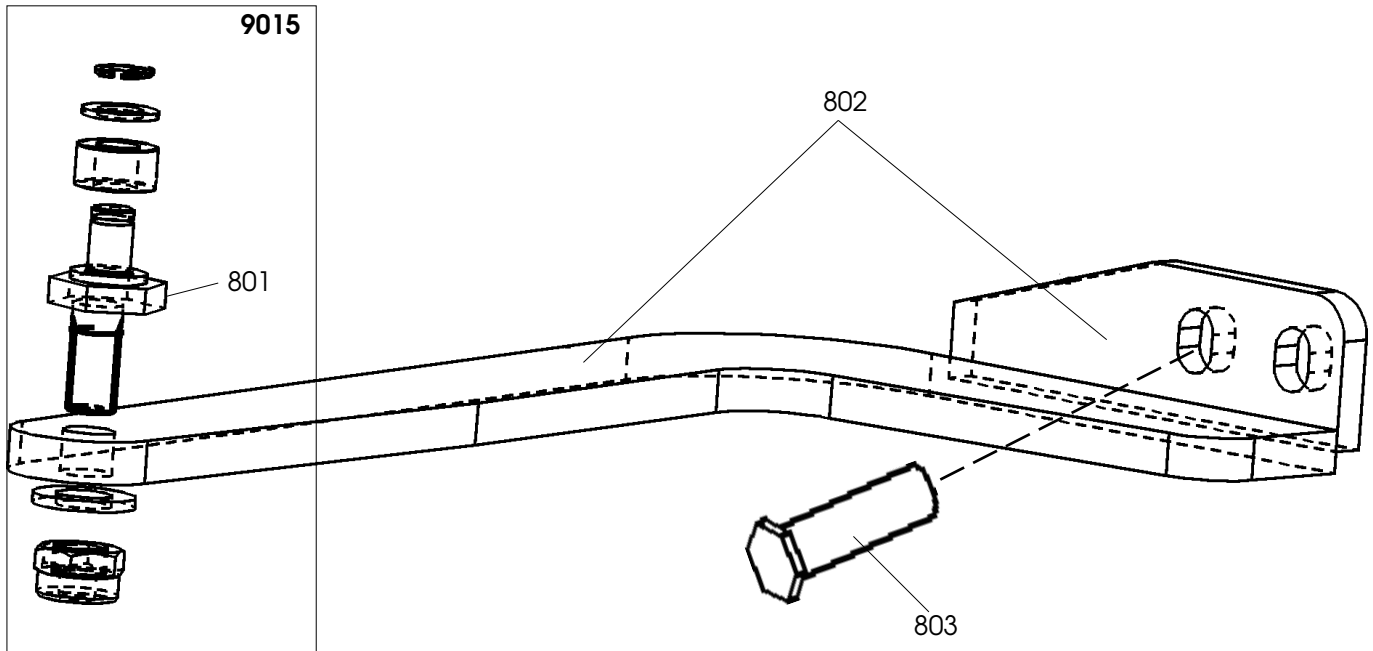
<b>9013</b>	<b>900261729</b>	<b>VALVOLA</b>	<b>VALVE</b>	<b>VENTIL</b>	<b>VANNE</b>
0703	900452564	VALVOLA	VALVE	VENTIL	VANNE
0704	900438664	RACCORDO	CONNECTOR	ANSCHLUSS	RACCORD
<b>9014</b>	<b>900261517</b>	<b>CILINDRO</b>	<b>CYLINDER</b>	<b>ZYLINDER</b>	<b>CYLINDRE</b>
0708	9003-01175	VALVOLA	VALVE	VENTIL	VANNE
0204	900461380	MICROINTERR.	MICROSWITCH	MIKROSCHALTER	MICROINTERRUPTEUR
0701	900261377	CILINDRO	CYLINDER	ZYLINDER	CYLINDRE
0705	900361356	LAMIERA	METAL SHEET	BLECH	TOLE
0706	900361357	LAMIERA	METAL SHEET	BLECH	TOLE
0707	900461372	TAPPO	PLUG	STOPFEN	BOUCHON
0709	900361367	TIRANTE	STAY ROD	ZUGSTANGE	TIRANT
0710	900440578	RUBINETTO	VALVE	HAHN	ROBINET
0711	900262382	KIT GUARN.(701)	SEALS KIT(701)	DICHTUNGSATZ(701)	KIT JOINTS(701)
0711	900241484	KIT GUARN.(9014)	SEALS KIT(9014)	DICHTUNGSATZ(9014)	KIT JOINTS(9014)
0712	900442428	VALVOLA	VALVE	VENTIL	VANNE
0713	900463194	VALVOLA	VALVE	VENTIL	VANNE
0714	900361350	PERNO	PIN	ZAPFEN	PIVOT
0715	900361345	LAMIERA	METAL SHEET	BLECH	TOLE
0716	9002-03065	PERNO	PIN	ZAPFEN	PIVOT
0717	900361349	PERNO	PIN	ZAPFEN	PIVOT
0718	9004-100627	BIELLA	TRACE	PLEVELSTANGE	BIELLE
0719	900361348	PERNO	PIN	ZAPFEN	PIVOT
0720	900361333	BIELLA	TRACE	PLEVELSTANGE	BIELLE
0721	900261336	SOLLEVATORE	HOIST	HEBEBUEHNE	ELEVATEUR



0771 9004-100482 TUBO SOLLEVATORE HOIST

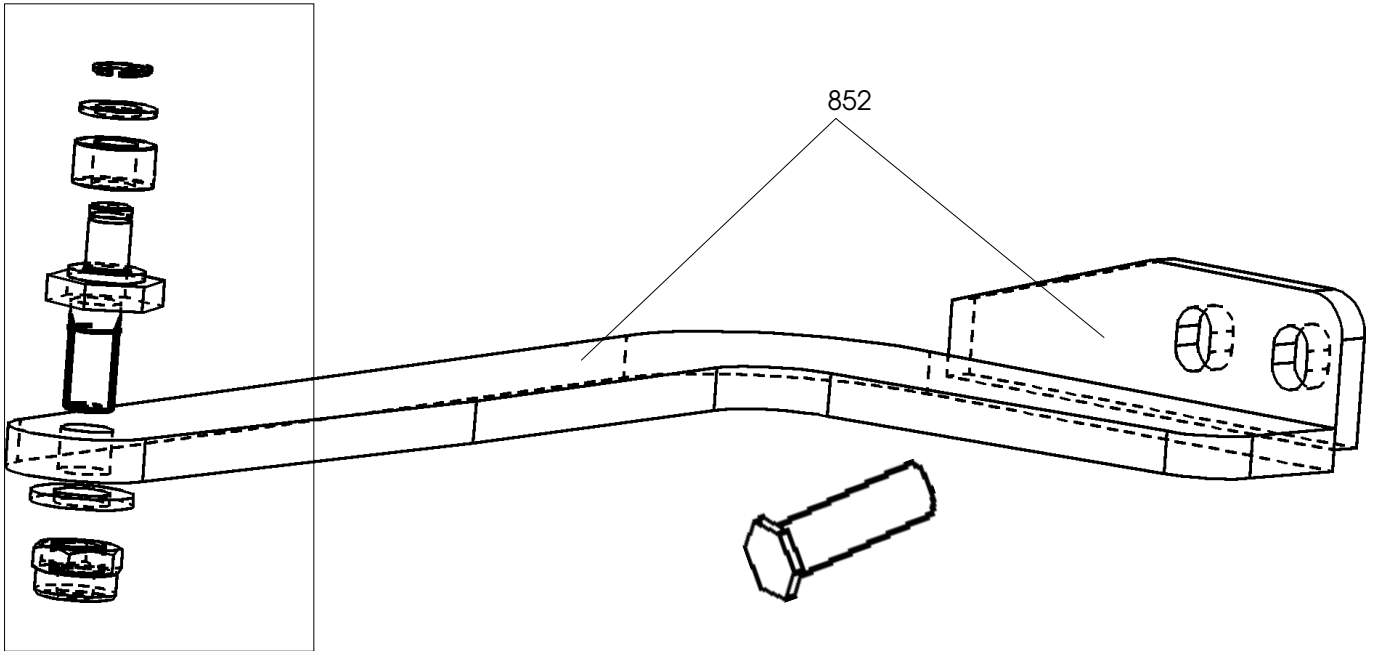
HEBEBUEHNE

ELEVATEUR



<b>9015</b>	<b>900262387</b>	<b>ECCENTRICO</b>	<b>ECCENTRIC</b>	<b>NOCKEN</b>	<b>EXCENTRIQUE</b>
0801	900361308	ECCENTRICO	ECCENTRIC	NOCKEN	EXCENTRIQUE
0802	900261309	BRACCIO	ARM	ARM	BRAS
0803	9002-03056	VITE	SCREW	SCHRAUBE	VIS

	ARTIGLIO MASTER 26"	Fig. L 1	01 / 04	Braccio Rotazione
----------------------------------------------------------------------------------	---------------------	----------	---------	-------------------

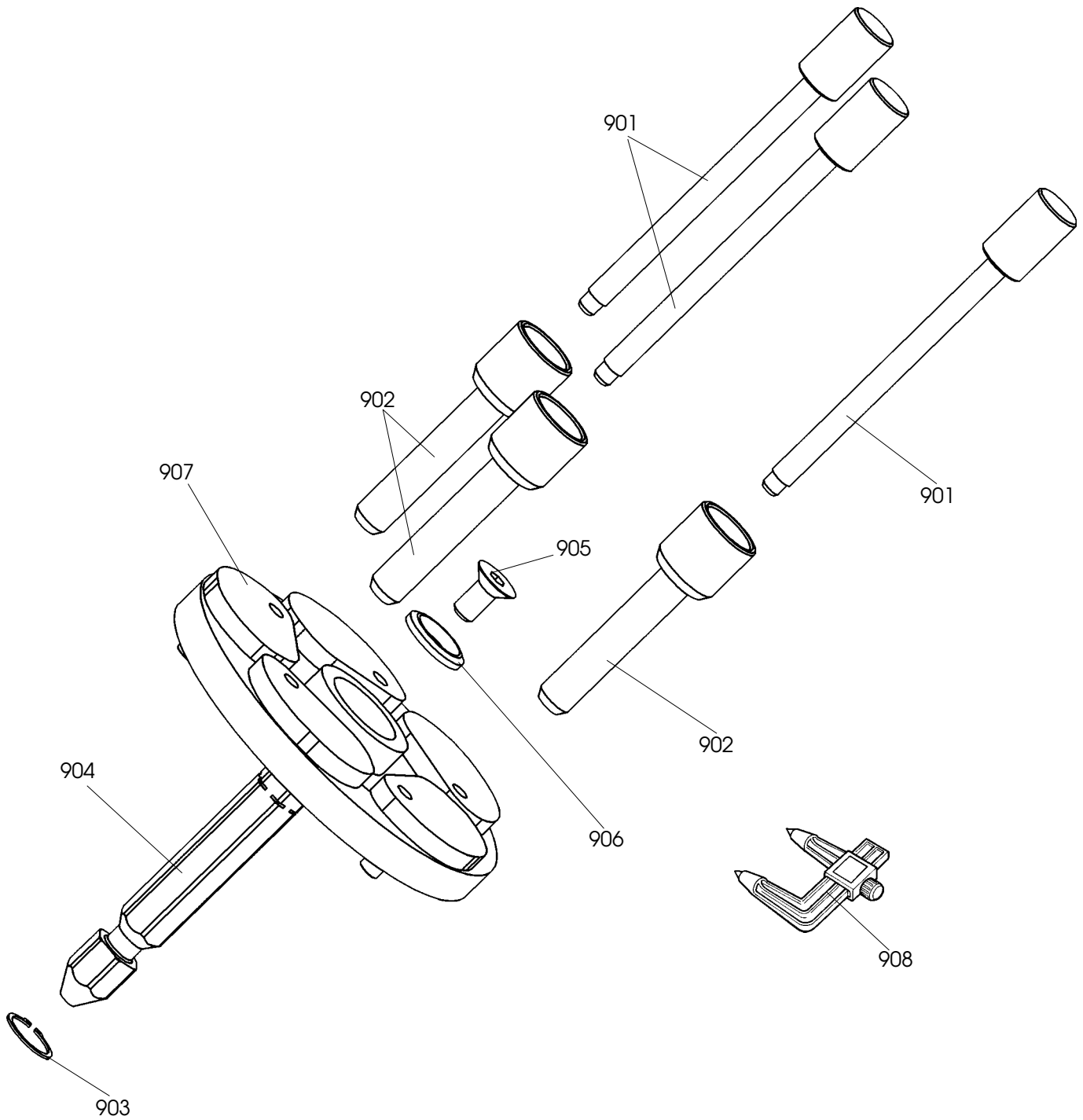


0852 9004-100337 BRACCIO

ARM

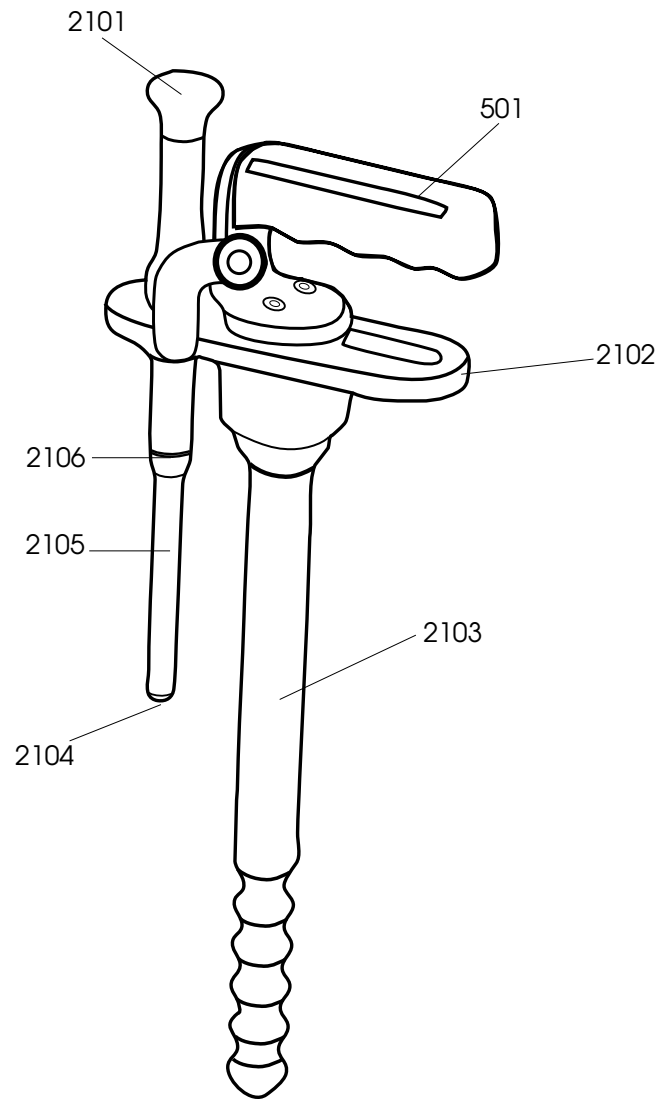
ARM

BRAS

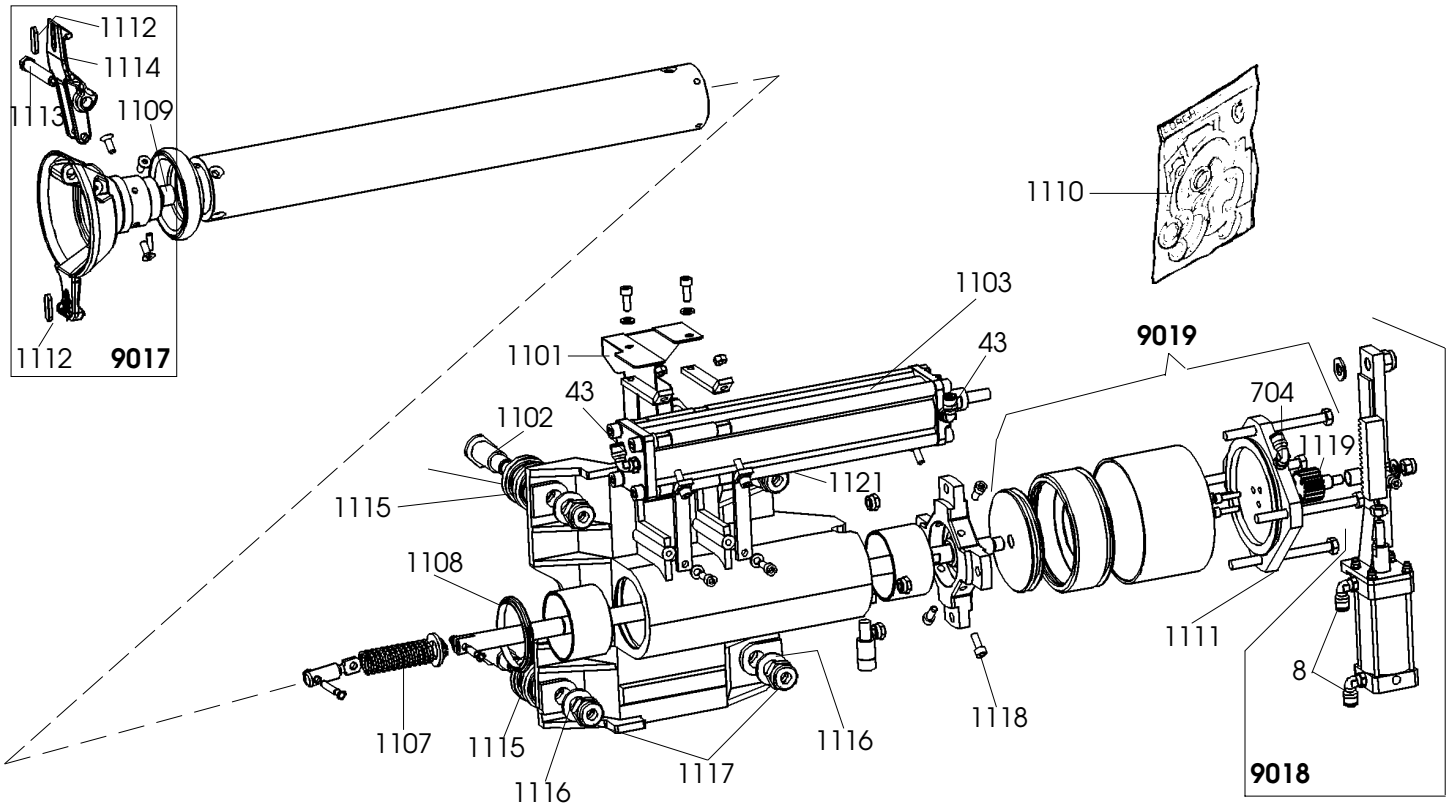


0901	900361647	VITE	SCREW	SCHRAUBE	VIS
0902	900361648	GHIERA	NUT	NUTMUTTER	BAGUE
0903	900600032	ANELLO	RING	RING	ANNEAU
0904	900361658	BARRA	BAR	STANGE	BARRE
0905	9002-03074	VITE	SCREW	SCHRAUBE	VIS
0906	900361662	RONDELLA	WASHER	UNTERLEGSCHIEBE	RONDELLE
0907	900463082	SET FLANGE	FLANGE SET	FLANSCH	FLASQUE
0908	900441286	RILEVATORE	SIGNAL TRACER	AUFNEHMER	MESEUREUR



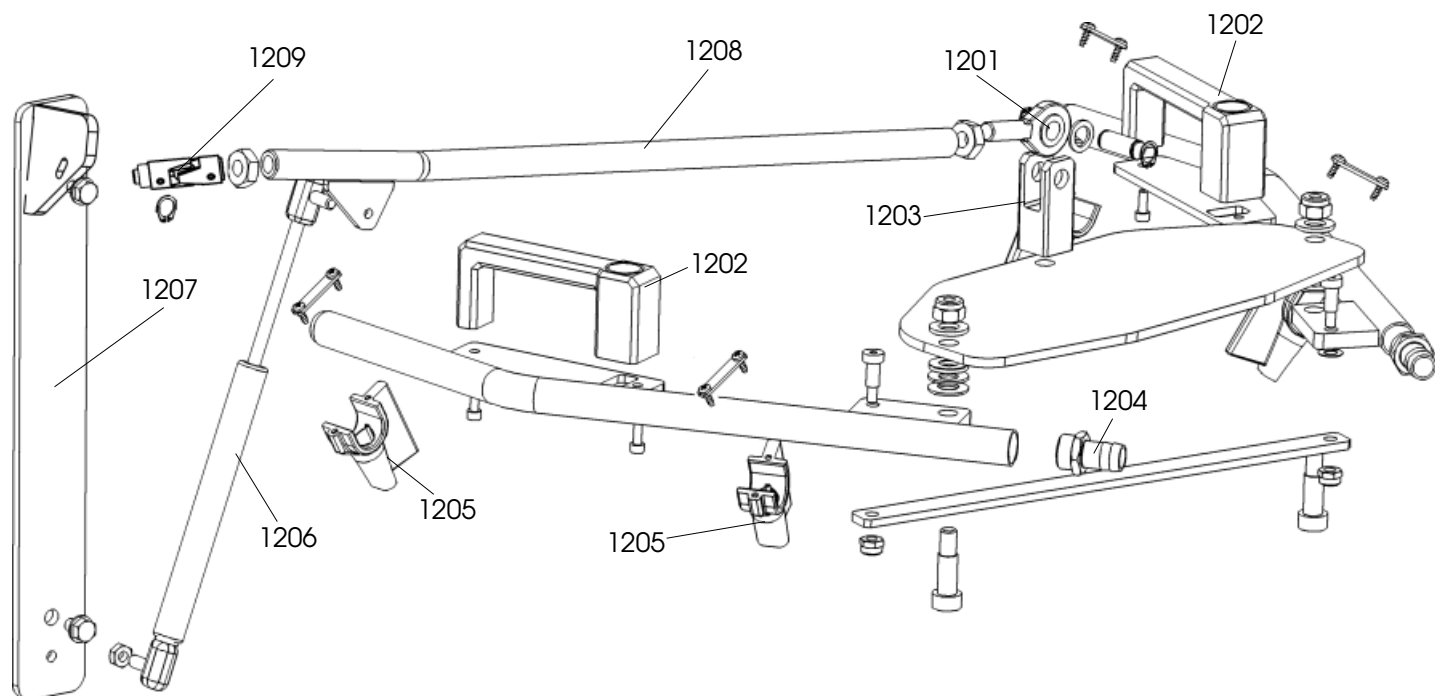
**9032**


<b>9032</b>	<b>9005-100512</b>	<b>MANIGLIA COMP.</b>	<b>HANDLE</b>	<b>HANDGRIFF</b>	<b>POIGNEE</b>
2101	900461634	IMPUGNATURA	HANDLE	HANDGRIFF	POIGNEE
501	900461591	MANIGLIA	HANDLE	HANDGRIFF	POIGNEE
2102	9004-101752	PIASTRA	SLAB	PLATTE	PLAQUE
2103	9004-101744	BARRA	BAR	STANGE	BARRE
2104	900461560	PROTEZIONE	SHIELD	ABDECKUNG	PROTECTION
2105	9004-101743	PERNO	PIN	ZAPFEN	PIVOT
2106	900461614	ANELLO	RING	RING	ANNEAU

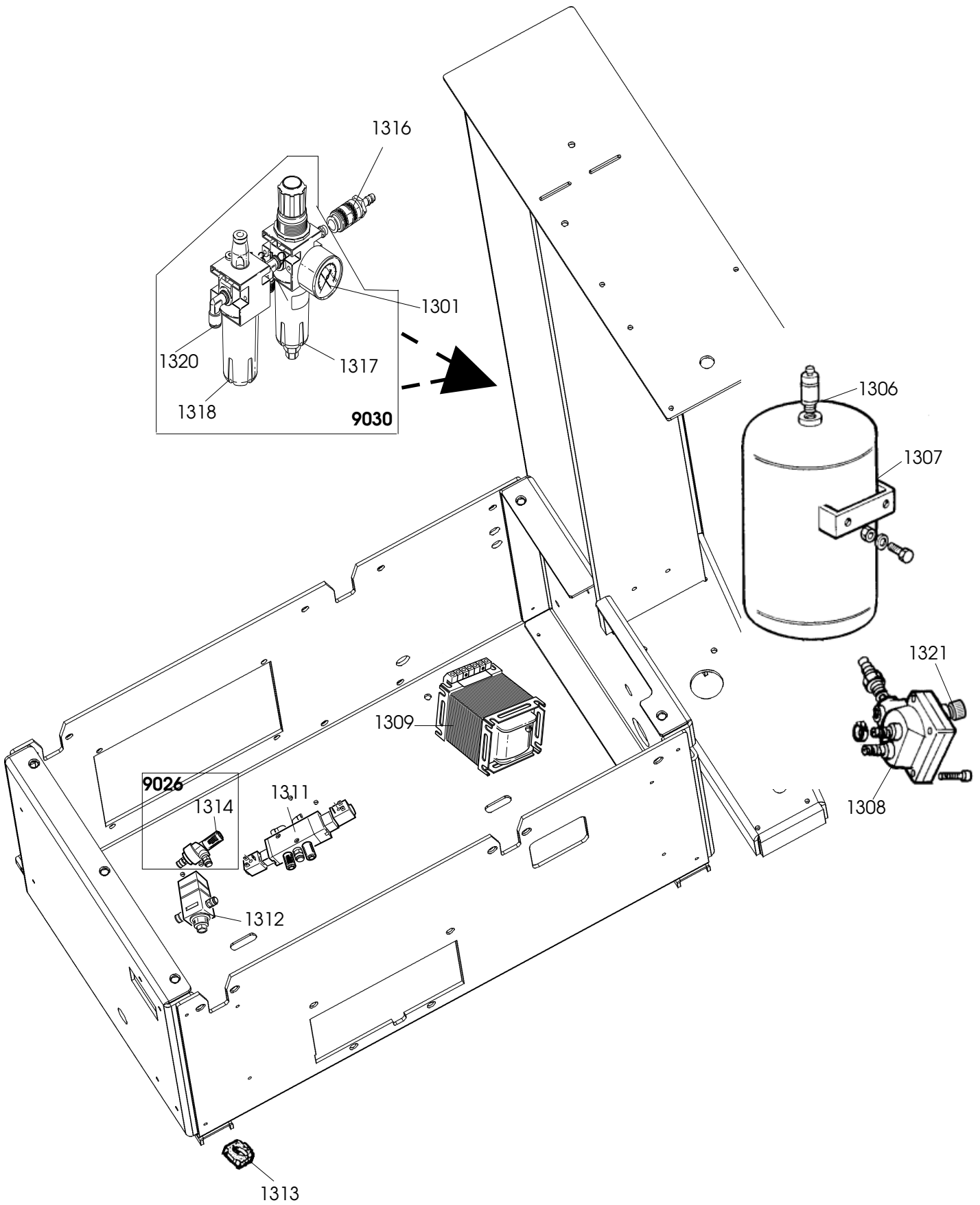



<b>9017</b>	<b>900262390</b>	<b>TESTINA</b>	<b>HEAD</b>	<b>KOPF</b>	<b>TETE</b>
1109	9003-01158	BOCCOLA	BUSHING	LAGER	DOUILLE
1112	900461489	INSERTO	INSERT	EINLAGE	INSERT
<b>9018</b>	<b>900261505</b>	<b>CILINDRO</b>	<b>CYLINDER</b>	<b>ZYLINDER</b>	<b>CYLINDRE</b>
0008	9003-00220	RACCORDO	CONNECTOR	ANSCHLUSS	RACCORD
<b>9019</b>	<b>900261613</b>	<b>UTENSILE</b>	<b>TOOL</b>	<b>WERKZEUG</b>	<b>OUTIL</b>
0704	900438664	RACCORDO	CONNECTOR	ANSCHLUSS	RACCORD
1111	900361493	FLANGIA	FLANGE	FLANSCH	FLASQUE

1101	900361497	LAMIERA	METAL SHEET	BLECH	TOLE
1102	900361496	PERNO	PIN	ZAPFEN	PIVOT
1103	900261500	CILINDRO	CYLINDER	ZYLINDER	CYLINDRE
1107	900461510	MOLLA	SPRING	FEDER	RESSORT
1108	9003-01173	RASCHIAOLIO	SCRAPER RING	OELABSTREIFRING	RACLETTE
1110	900245486	KIT GUARN.(9018)	SEALS KIT(9018)	DICHTUNGSATZ(9018)	KIT JOINTS(9018)
1110	900456222	KIT GUARN.(1103)	SEALS KIT(1103)	DICHTUNGSATZ(1103)	KIT JOINTS(1103)
1110	900262525	KIT GUARN.(9019)	SEALS KIT(9019)	DICHTUNGSATZ(9019)	KIT JOINTS(9019)
1113	900361488	FULCRO	FULCRUM	DREHPUNKT	ENTABULRE
1114	900361403	UTENSILE	TOOL	WERKZEUG	OUTIL
1115	900257431	RULLO	ROLLER	WALTZE	ROULEAU
1116	900601045	RONDELLA	WASHER	UNTERLEGSCHIEBE	RONDELLE
1117	9002-71526	DADO	NUT	MUTTER	ECROU
1118	900600309	VITE	SCREW	SCHRAUBE	VIS
1119	900361492	INGRANAGGIO	GEAR	ZAHNRADGETRIEBE	ENGRENAGE
1120	9003-01195	BOCCOLA	BUSHING	LAGER	DOUILLE
1121	900356012	PERNO	PIN	ZAPFEN	PIVOT
0043	900438664	RACCORDO	CONNECTOR	ANSCHLUSS	RACCORD



1202	900462118	MANIGLIA	HANDLE	HANDGRIFF	POIGNEE
1203	900362194	FORCELLA	FORK	GABEL	FOURCHE
1204	900441144	RACCORDO	CONNECTOR	ANSCHLUSS	RACCORD
1205	900462124	UGELLO	NOZZLE	DUESE	BUSE-TUYERE
1206	900462140	MOLLA	SPRING	FEDER	RESSORT
1207	9004-101815	ATTACCO T.I.	ADAPTER	HALTERUNG	GRIFFE
1208	900262134	ASTA T.I.	SHAFT	STANGE	BARRE
1209	9004-101825	TERMINALE	TERMINAL	ENDVERSCHLUSS	COSSE

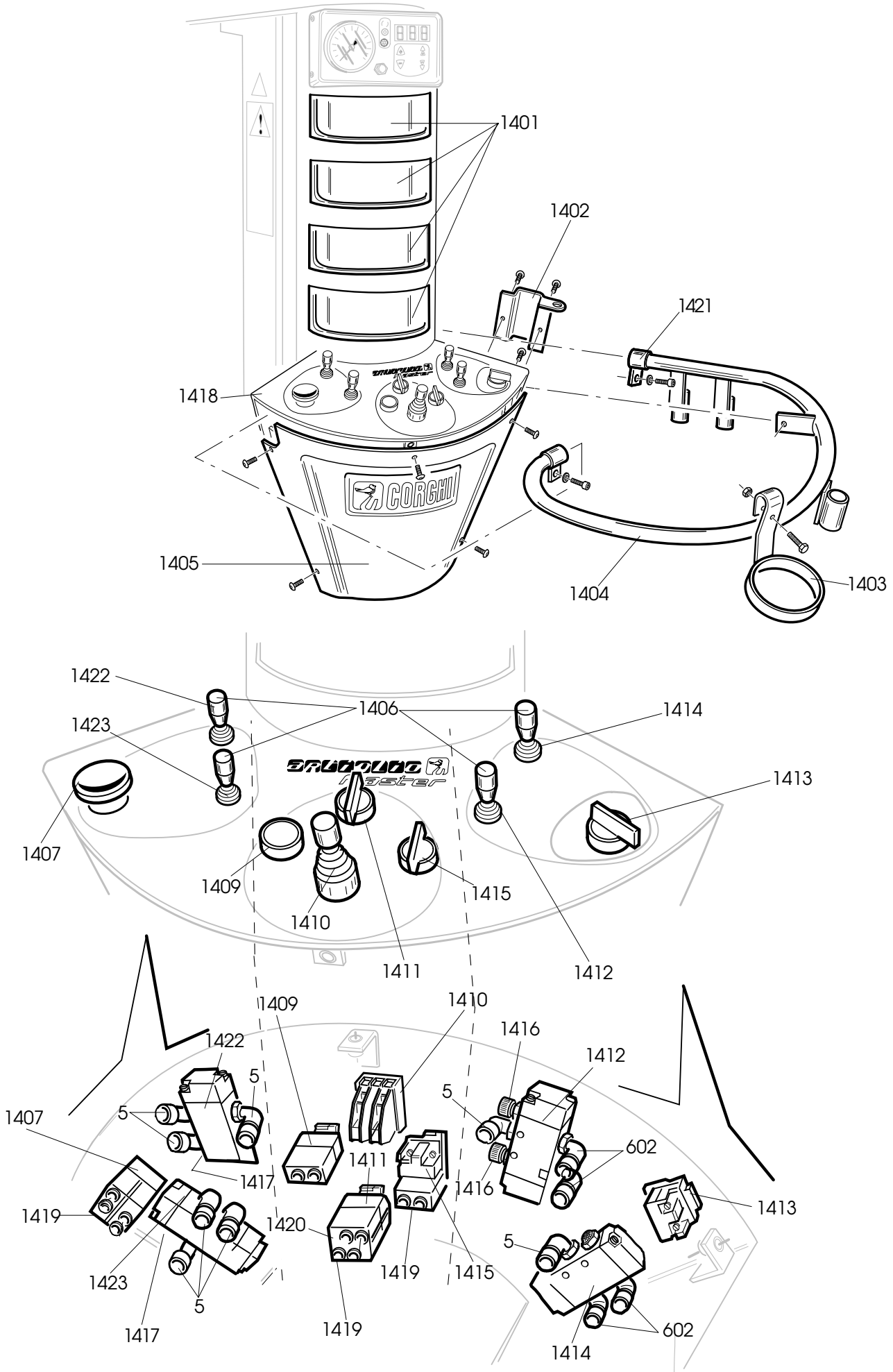



	<b>ARTIGLIO MASTER</b>	<b>Fig. Q</b>	<b>10a / 02</b>	<b>Gr. cassone +filtro+T.I.</b>
----------------------------------------------------------------------------------	------------------------	---------------	-----------------	---------------------------------

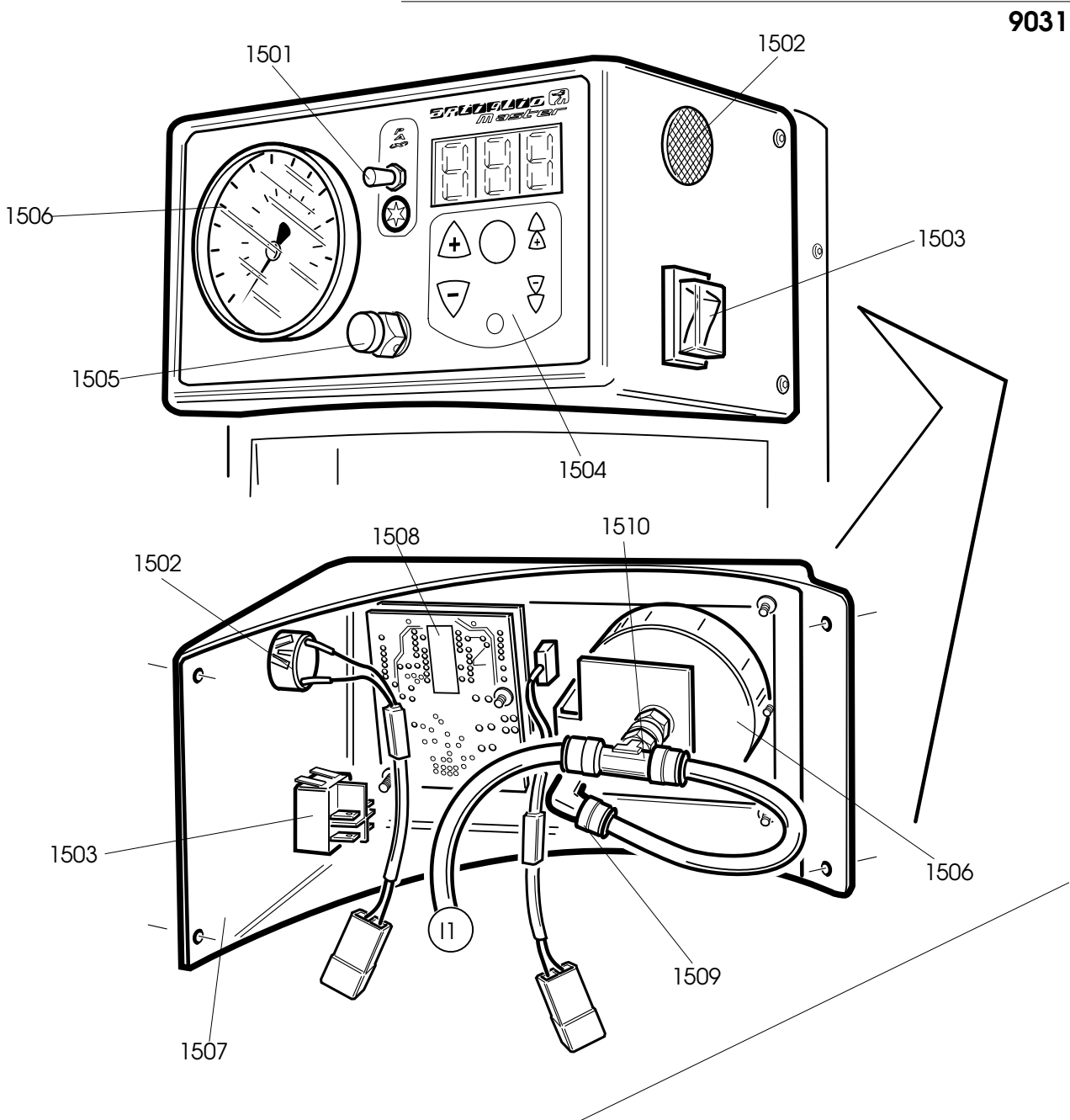
<b>9030</b>	<b>900456522</b>	<b>FILTRO</b>	<b>FILTER</b>	<b>FILTER</b>	<b>FILTRE</b>
1317	900457512	BICCHIERE	BOWL	GLAS	BOL
1318	900457511	BICCHIERE	BOWL	GLAS	BOL
1319	900433873	RACCORDO	CONNECTOR	ANSCHLUSS	RACCORD

<b>9026</b>	<b>900262035</b>	<b>VALVOLA</b>	<b>VALVE</b>	<b>VENTIL</b>	<b>VANNE</b>
1314	900419138	SILENZIATORE	SILENCER	SCHALLDAEMPFER	SILENCIEUX

1301	900434818	MANOMETRO	PRESSURE GAUGE	DRUCKMESSER	MANOMETRE
1306	900435077	VALVOLA	VALVE	VENTIL	VANNE
1307	900262215	SERBATOIO	TANK	TANK	RESERVOIR
1308	900243203	VALVOLA	VALVE	VENTIL	VANNE
1309	900462056	AUTOTRASFORMA.	TRANSFORMER	SPARTRANSFORMATOR	AUTOTRANSFORMATEUR
1311	900261638	VALVOLA	VALVE	VENTIL	VANNE
1312	900452553	VALVOLA	VALVE	VENTIL	VANNE
1313	900422019	PIEDE	FOOT	FUSS	PIED
1316	900441899	RACCORDO	CONNECTOR	ANSCHLUSS	RACCORD
1320	900450406	RACCORDO	CONNECTOR	ANSCHLUSS	RACCORD
1321	9003-01175	VALVOLA	VALVE	VENTIL	VANNE

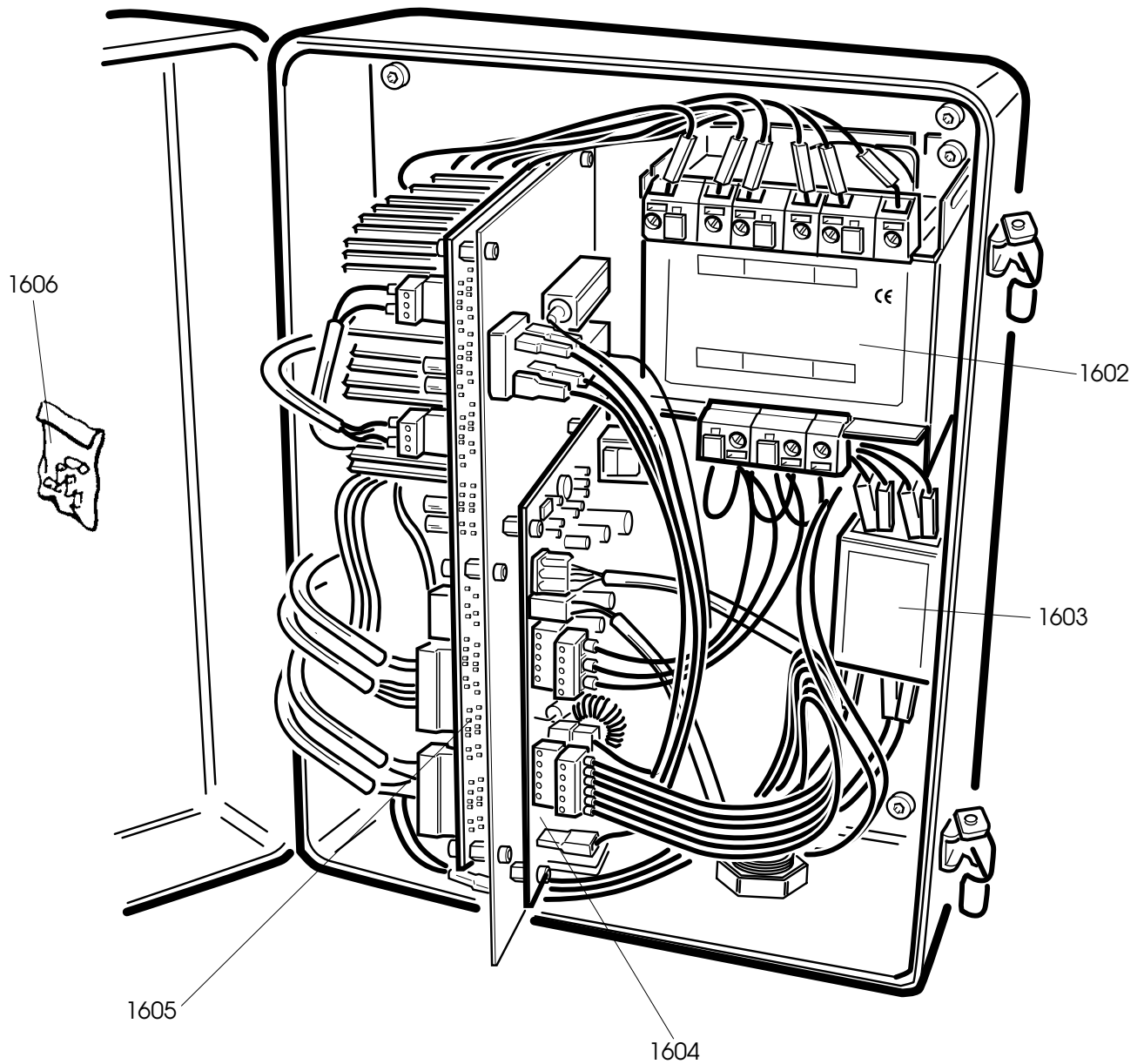


		ARTIGLIO MASTER	Fig. R	09 / 03	Consolle
0005	900440870	RACCORDO	CONNECTOR	ANSCHLUSS	RACCORD
0602	900443367	RACCORDO	CONNECTOR	ANSCHLUSS	RACCORD
1401	900461850	VASCHETTA	CUP	KLEINE WANNE	PETIT BAC
1402	900361271	SUPPORTO	SUPPORT	LAGER	SUPPORT
1403	900261651	ATTACCO	ADAPTOR	HALTERUNG	ATTAQUE
1403	801261060	ATTACCO 5KG	ADAPTOR 5KG	HALTERUNG 5KG	ATTAQUE 5KG
1404	900261261	TUBO	PIPE	ROHR	TUYAU
1405	900461849	COFANO	HOOD	HAUBE	COFFRE
1406	900440585	MANOPOLA	KNOB	BALLENGRIFF	BOUTON
1407	900261832	INVERT.PENETRAZ.	REVERSER	RICHTUNGSWENDER	INVERSEUR
1409	900261836	INVERT.UTENSILE	REVERSER	RICHTUNGSWENDER	INVERSEUR
1410	900261838	INVERT.TESTINA	REVERSER	RICHTUNGSWENDER	INVERSEUR
1411	900261837	INVERT.ROTAZIONE	REVERSER	RICHTUNGSWENDER	INVERSEUR
1412	900261834	INVERT.SPINGITORE	REVERSER	RICHTUNGSWENDER	INVERSEUR
1413	900261839	INVERT.PAX	REVERSER	RICHTUNGSWENDER	INVERSEUR
1414	900261833	INVERT.SOLLEVAT.	REVERSER	RICHTUNGSWENDER	INVERSEUR
1415	900261835	INVERT.ARRETRAM.	REVERSER	RICHTUNGSWENDER	INVERSEUR
1416	900433675	REGOLATORE	REGULATOR	REGLER	REGULATEUR
1417	900415279	SILENZIATORE	SILENCER	SCHALLDAEMPFER	SILENCIEUX
1418	900461848	PANNELLO	PANEL	VERKLEIDUNG	PANNEAU
1419	900461841	VALVOLA 304	VALVE	VENTIL	VANNE
1420	900461844	VALVOLA 314	VALVE	VENTIL	VANNE
1421	900261266	REGOL.TUBO	SUPPORT	LAGER	SUPPORT
1422	9005-100089	COMAN. STAL.INF.	REVERSER	RICHTUNGSWENDER	INVERSEUR
1423	9005-100085	COMAN. STAL.SUP.	REVERSER	RICHTUNGSWENDER	INVERSEUR

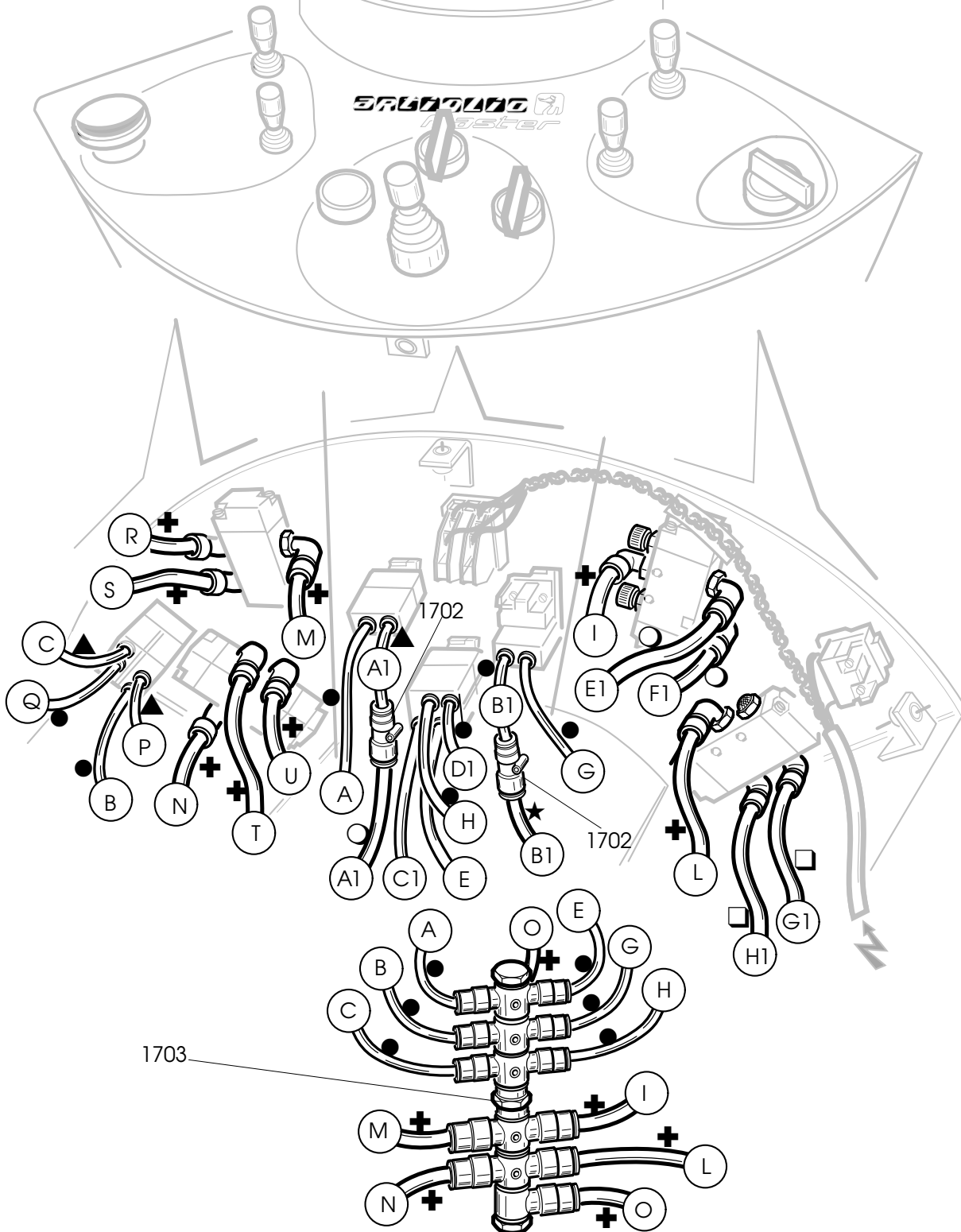


9031	900261790	PANNELLO COMP.	PANEL	VERKLEIDUNG	PANNEAU
1314	900419138	SILENZIATORE	SILENCER	SCHALLDAEMPFER	SILENCIEUX
1501	900461799	MICROINTERR.	MICROSWITCH	MIKROSCHALTER	MICROINTERRUPTEU
1502	900461800	SEGNALATORE	SIGNALER	KONTROLLEUCHE	TEMOIN
1503	950433848	INTERRUPTORE	SWITCH	SCHALTER	INTERRUPTEUR
1504	900461795	PANNELLO	PANEL	VERKLEIDUNG	PANNEAU
1505	900235463	VALVOLA	VALVE	VENTIL	VANNE
1506	900437831	MANOMETRO	PRESSURE GAUGEDRUCKMESSER		MANOMETRE
1506	9003-00493	MANOMETRO	PRESSURE GAUGEDRUCKMESSER		MANOMETRE
1507	900461794	CARTER	CASING	GEHAUSE	CARTER
1508	900461796	SCHEDA DISPLAY	P.C.BOARD	ELEKTR.PLATINE	FICHE ELECTR.
1509	900431999	RACCORDO	CONNECTOR	ANSCHLUSS	RACCORD
1510	900438665	RACCORDO	CONNECTOR	ANSCHLUSS	RACCORD



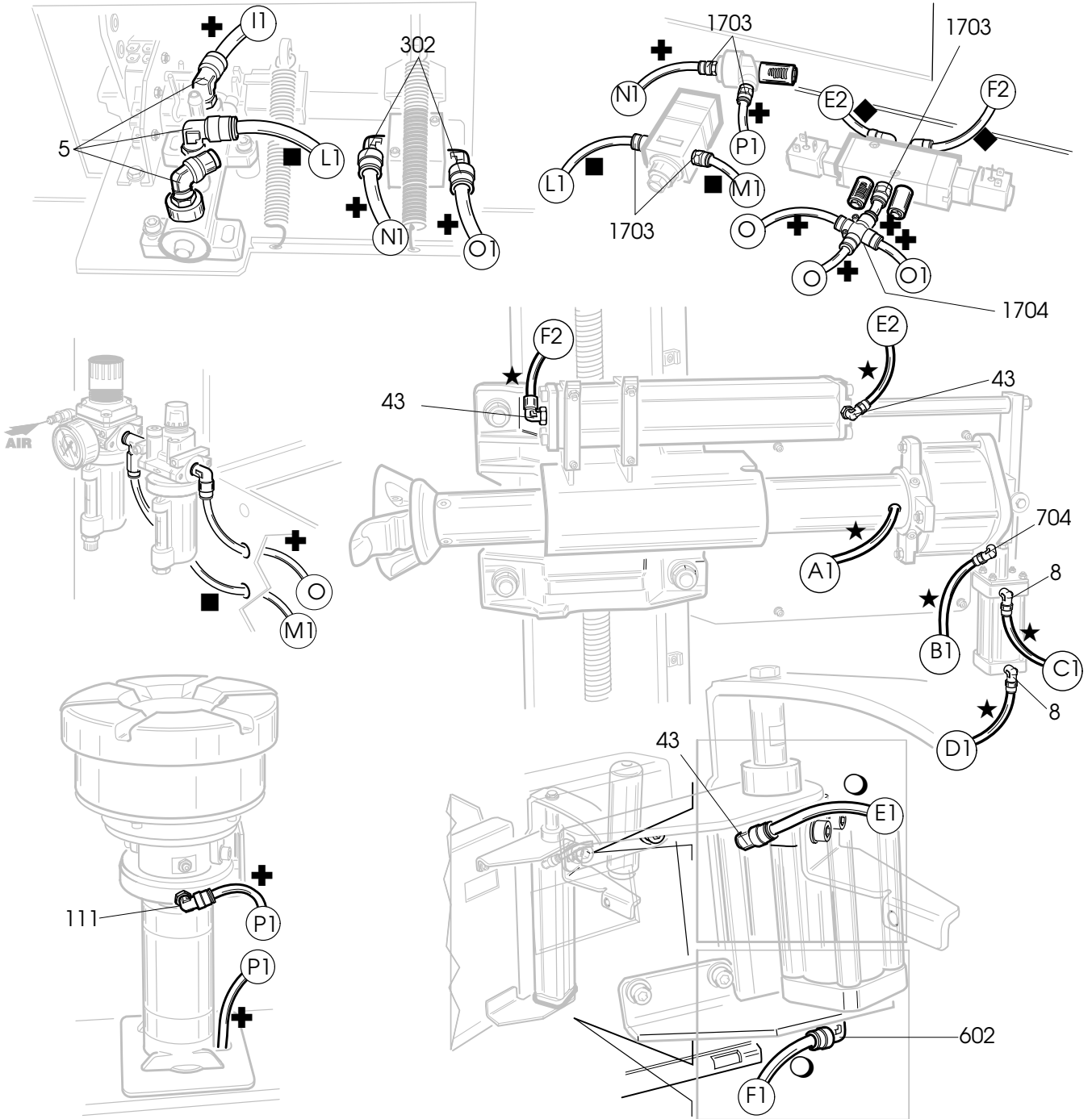


1602	900461829	TRASFORMATORE	TRANSFORMER	TRANSFORMATOR	TRANSFORMATEUR
1603	900448666	FILTRO	FILTER	FILTER	FILTRE
1604	900458984	SCHEDA ELETTRON.	P.C.BOARD	ELEKTR.PLATINE	FICHE ELECTR.
1605	900461828	SCHEDA ELETTRON.	P.C.BOARD	ELEKTR.PLATINE	FICHE ELECTR.
1606	9005-100196	SET FUSIBILI	FUSE BAG	SICHERUNG	SET FUSIBLE



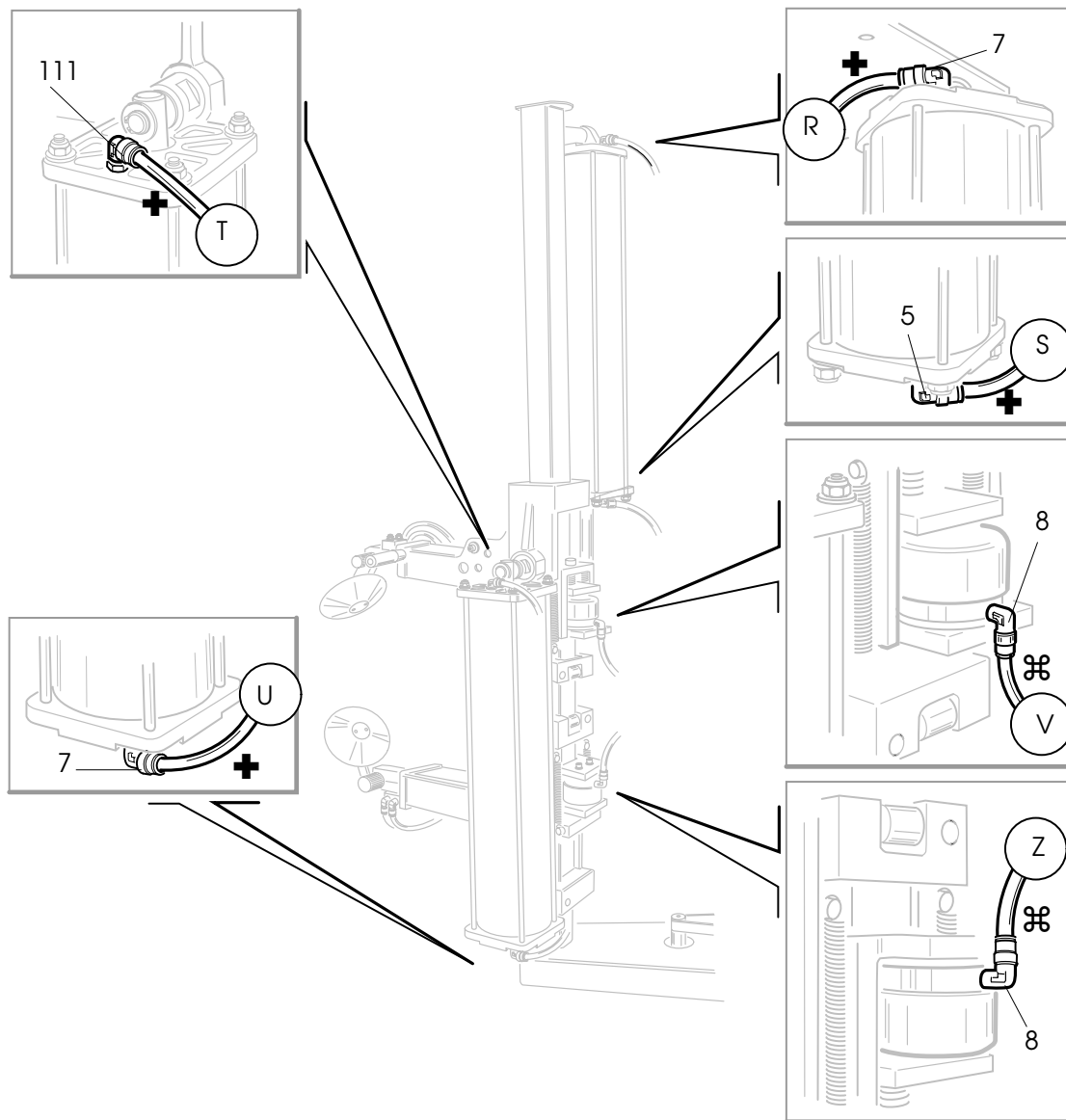
●	9001-04567	Tubo PA11 azzurro D.4x1	Pipe PA11 blue D.4x1	(max 2000mm)
+	9001-04333	Tubo PA12 nero D.8x1	Pipe PA12 black D.8x1	(max 2800mm)
□	900704036	Tubo PA11 giallo D.6x1	Tubo PA11 yellow D.6x1	(max 2100mm)
○	9001-04283	Tubo PA12 nero D.6x1	Pipe PA12 black D.6x1	(max 2300mm)
▲	900704035	Tubo PA11 nero D.4x1	Pipe PA11 black D.4x1	(max 2700mm)
◆	9001-04002	Tubo PA11 trasparente D.6x1	Pipe PA11 white D.6x1	(max 3300mm)
■	9001-04001	Tubo PA12 rosso D.8x1	Pipe PA12 red D.8x1	(max 1700mm)
⌘	9001-04551	Tubo PA11 verde D.4x1	Pipe PA11 green D.4x1	(max 800mm)
★	900704003	Tubo PA11 blu D.6x1	Pipe PA11 blue D.6x1	(max 600mm)

1702	900380691	RACCORDO	CONNECTOR	ANSCHLUSS	RACCORD
1703	9005-100088	RACCORDO	CONNECTOR	ANSCHLUSS	RACCORD

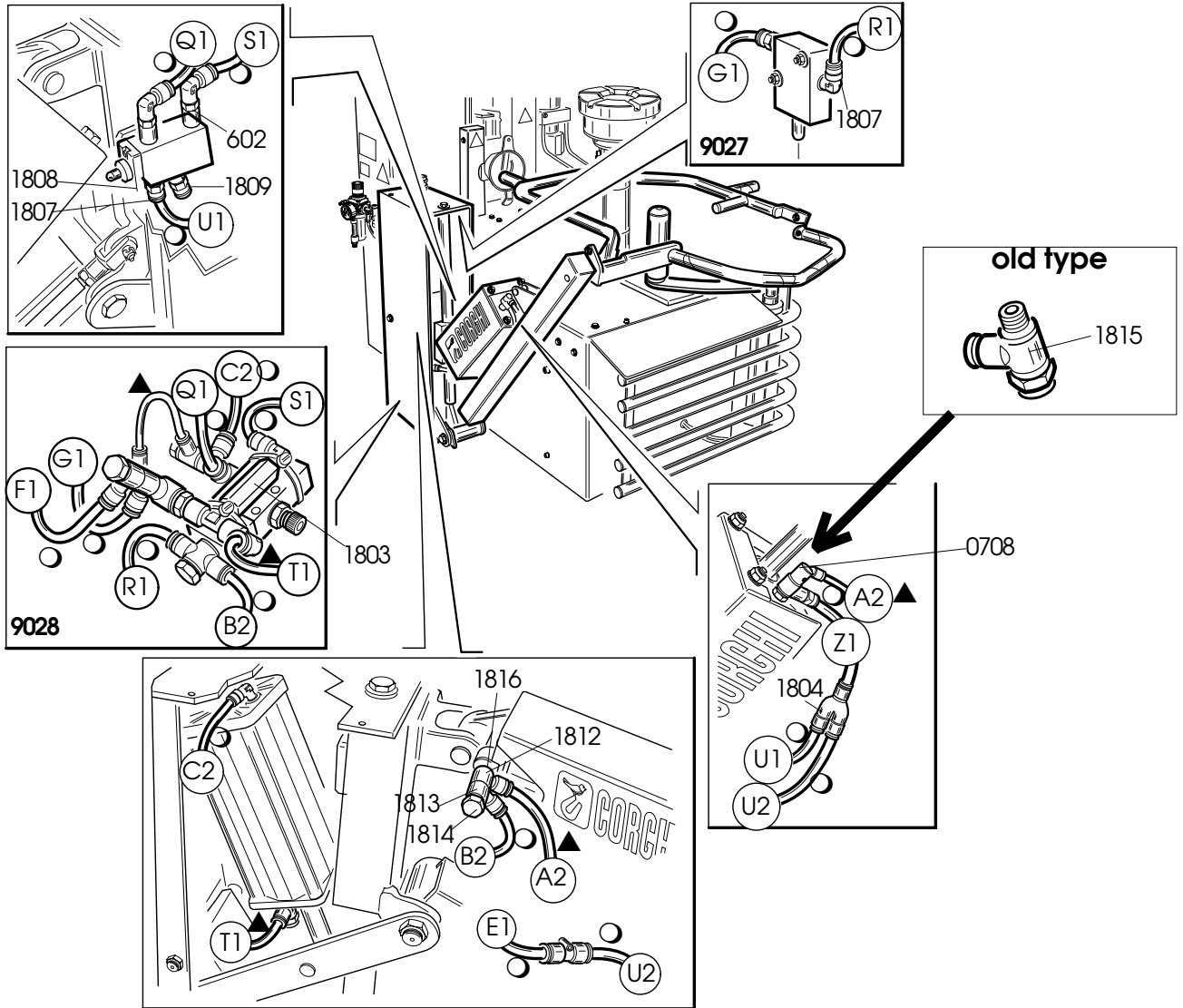


●	9001-04567	Tubo PA11 azzurro D.4x1	Pipe PA11 blue D.4x1	(max 2000mm)
+	9001-04333	Tubo PA12 nero D.8x1	Pipe PA12 black D.8x1	(max 2800mm)
□	900704036	Tubo PA11 giallo D.6x1	Tubo PA11 yellow D.6x1	(max 2100mm)
○	9001-04283	Tubo PA12 nero D.6x1	Pipe PA12 black D.6x1	(max 2300mm)
▲	900704035	Tubo PA11 nero D.4x1	Pipe PA11 black D.4x1	(max 2700mm)
◆	9001-04002	Tubo PA11 trasparente D.6x1	Pipe PA11white D.6x1	(max 3300mm)
■	9001-04001	Tubo PA12 rosso D.8x1	Pipe PA12 red D.8x1	(max 1700mm)
⌘	9001-04551	Tubo PA11 verde D.4x1	Pipe PA11 green D.4x1	(max 800mm)
★	900704003	Tubo PA11 blu D.6x1	Pipe PA11 blue D.6x1	(max 600mm)

0111	900414855	RACCORDO	CONNECTOR	ANSCHLUSS	RACCORD
0008	9003-00220	RACCORDO	CONNECTOR	ANSCHLUSS	RACCORD
0302	900440868	RACCORDO	CONNECTOR	ANSCHLUSS	RACCORD
0043	900438664	RACCORDO	CONNECTOR	ANSCHLUSS	RACCORD
0704	900438664	RACCORDO	CONNECTOR	ANSCHLUSS	RACCORD
1703	900440887	RACCORDO	CONNECTOR	ANSCHLUSS	RACCORD
1704	9003-00021	RACCORDO	CONNECTOR	ANSCHLUSS	RACCORD



●	9001-04567	Tubo PA11 azzurro D.4x1	Pipe PA11 blue D.4x1	(max 2000mm)	
+	9001-04333	Tubo PA12 nero D.8x1	Pipe PA12 black D.8x1	(max 2800mm)	
□	900704036	Tubo PA11 giallo D.6x1	Tubo PA11 yellow D.6x1	(max 2100mm)	
○	9001-04283	Tubo PA12 nero D.6x1	Pipe PA12 black D.6x1	(max 2300mm)	
▲	900704035	Tubo PA11 nero D.4x1	Pipe PA11 black D.4x1	(max 2700mm)	
◆	9001-04002	Tubo PA11 trasparente D.6x1	Pipe PA11 white D.6x1	(max 3300mm)	
■	9001-04001	Tubo PA12 rosso D.8x1	Pipe PA12 red D.8x1	(max 1700mm)	
⌘	9001-04551	Tubo PA11 verde D.4x1	Pipe PA11 green D.4x1	(max 800mm)	
★	900704003	Tubo PA11 blu D.6x1	Pipe PA11 blue D.6x1	(max 600mm)	
0111	900414855	RACCORDO	CONNECTOR	ANSCHLUSS	RACCORD
0007	900446939	RACCORDO	CONNECTOR	ANSCHLUSS	RACCORD
0008	9003-00220	RACCORDO	CONNECTOR	ANSCHLUSS	RACCORD

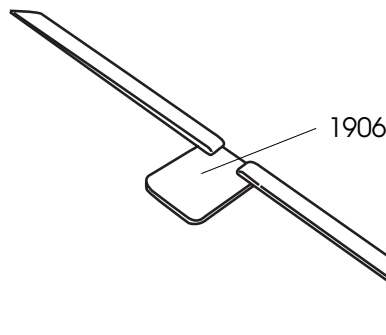
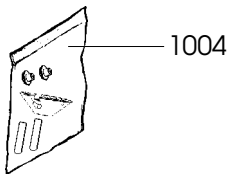
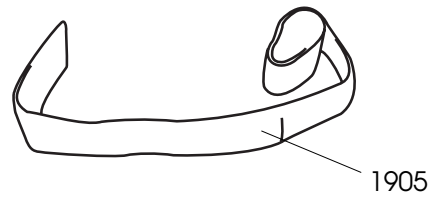
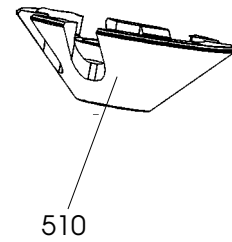
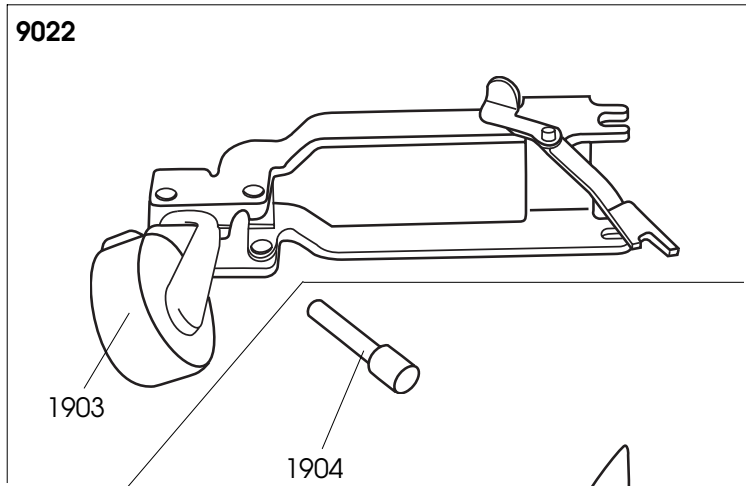
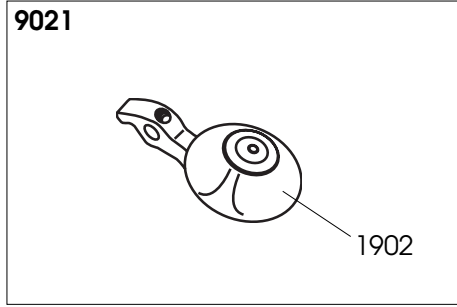
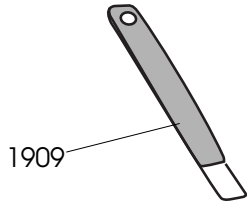


●	9001-04567	Tubo PA11 azzurro D.4x1	Pipe PA11 blue D.4x1	(max 2000mm)
+	9001-04333	Tubo PA12 nero D.8x1	Pipe PA12 black D.8x1	(max 2800mm)
□	900704036	Tubo PA11 giallo D.6x1	Tubo PA11 yellow D.6x1	(max 2100mm)
○	9001-04283	Tubo PA12 nero D.6x1	Pipe PA12 black D.6x1	(max 2300mm)
▲	900704035	Tubo PA11 nero D.4x1	Pipe PA11 black D.4x1	(max 2700mm)
◆	9001-04002	Tubo PA11 trasparente D.6x1	Pipe PA11 white D.6x1	(max 3300mm)
■	9001-04001	Tubo PA12 rosso D.8x1	Pipe PA12 red D.8x1	(max 1700mm)
✂	9001-04551	Tubo PA11 verde D.4x1	Pipe PA11 green D.4x1	(max 800mm)
★	900704003	Tubo PA11 blu D.6x1	Pipe PA11 blue D.6x1	(max 600mm)

<b>9027</b>	<b>900261729</b>	VALVOLA	VALVE	VENTIL	VANNE
1807	900441568	RACCORDO	CONNECTOR	ANSCHLUSS	RACCORD

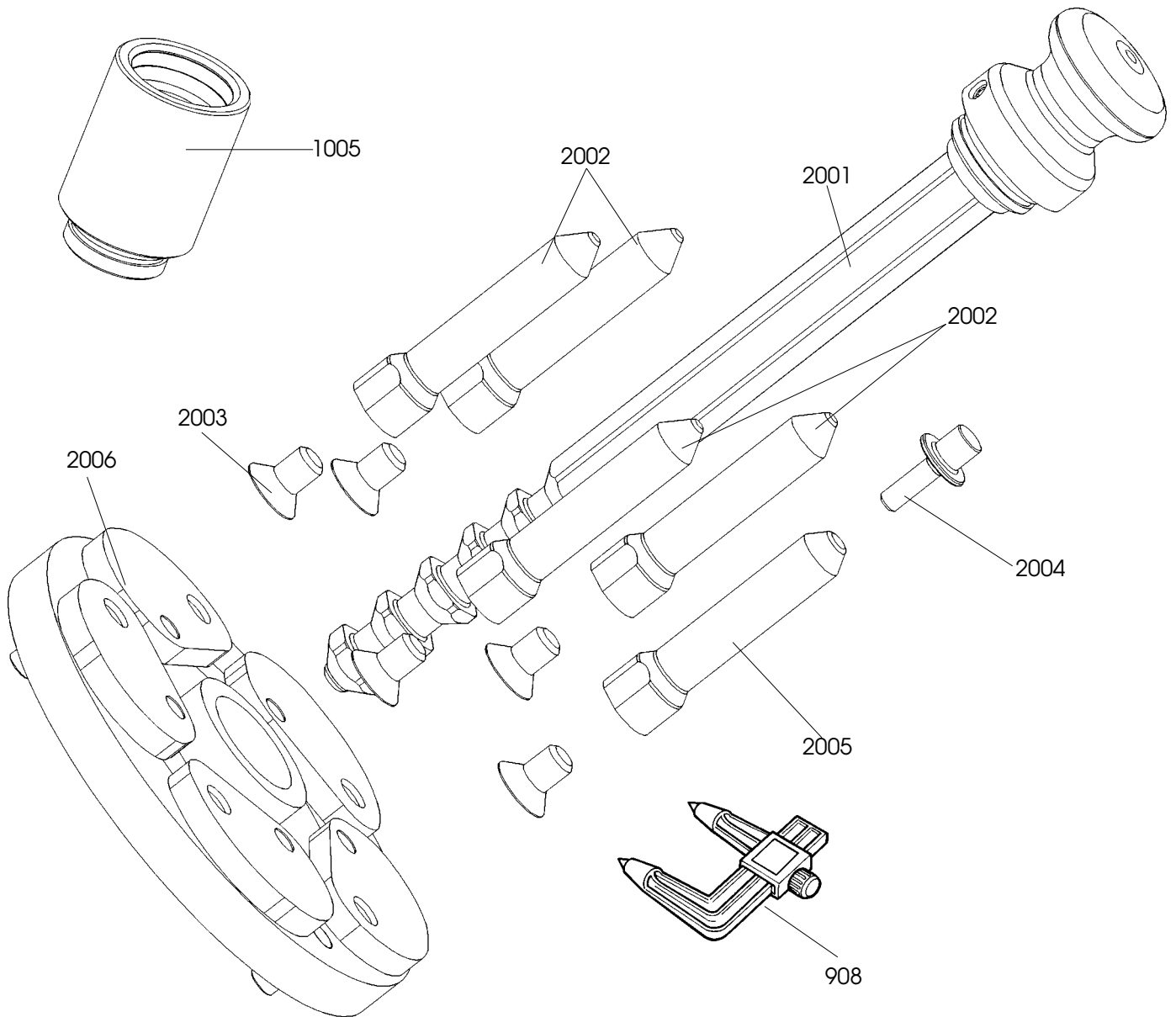
<b>9028</b>	<b>900263252</b>	VALVOLA	VALVE	VENTIL	VANNE
1803	900432314	VALVOLA	VALVE	VENTIL	VANNE

0602	900443367	RACCORDO	CONNECTOR	ANSCHLUSS	RACCORD
0708	9003-01175	VALVOLA	VALVE	VENTIL	VANNE
0712	900442428	VALVOLA	VALVE	VENTIL	VANNE
1801	900261249	PROTEZIONE	SHIELD	ABDECKUNG	PROTECTION
1804	9003-00047	RACCORDO	CONNECTOR	ANSCHLUSS	RACCORD
1808	900440539	SILENZIATORE	SILENCER	SCHALLDAEMPFER	SILENCIEUX
1809	9003-00198	RACCORDO	CONNECTOR	ANSCHLUSS	RACCORD
1812	9003-00514	RACCORDO	CONNECTOR	ANSCHLUSS	RACCORD
1813	9003-00515	RACCORDO	CONNECTOR	ANSCHLUSS	RACCORD
1814	9003-00075	RACCORDO	CONNECTOR	ANSCHLUSS	RACCORD
1815	900463285	VALVOLA	VALVE	VENTIL	VANNE
1816	900419338	RONDELLA	WASHER	UNTERLEGSHEIBE	RONDELLE



<b>9021</b>	<b>900262082</b>	<b>RULLO</b>	<b>ROLLER</b>	<b>WALZE</b>	<b>ROULEAU</b>
1902	900362006	RULLO	ROLLER	WALZE	ROULEAU
<b>9022</b>	<b>900261991</b>	<b>SUPPORTO</b>	<b>SUPPORT</b>	<b>LAGER</b>	<b>SUPPORT</b>
1903	900360218	RULLO	ROLLER	WALZE	ROULEAU

1904	900362007	PERNO	PIN	ZAPFEN	PIVOT
1905	900461826	CINGHIA	BELT	RIEMEN	COURROIE
1906	801260235	KIT REGLETTE	REGLETTE KIT	REGLETTE	REGLETTE
1004	900262389	KIT PROT.PLASTICA	PLASTIC PROT.KIT	VERWANDLUNGSATZ	KIT PROTEC.PLASTIQUE
510	900461668	PROTEZIONE	SHIELD	ABDECKLUNG	PROTECTION
1909	9004-102462	LEVA PAX	PAX LEVER	HEBEL	LEVIER



0908	900441286	RILEVATORE	SIGNAL TRACER	AUFNEHMER	MESEUREUR
1005	900263436	PROLUNGA	EXTENSION CORD	VERLAENGERUNG	RALLONGE
2001	900262468	MANIGLIA	HANDLE	HANDGRIFF	POIGNEE
2002	900363416	COLONNETTA	STUD	SCHRAUBENBOLZEN	COLONNETTE
2003	9002-71769	VITE	SCREW	SCHRAUBE	VIS
2004	900363418	GHIRA	NUT	NUTMUTTER	BAGUE
2005	900363417	COLONNETTA	STUD	SCHRAUBENBOLZEN	COLONNETTE
2006	9005-100009	SET FLANGE	FLANGE SET	FLANSCH	FLASQUE

Il disegno è realizzato con tutti i particolari ma solo quelli codificati sono forniti come ricambi. L'Azienda si riserva la facoltà di apportare modifiche senza preavviso.



Via per Carpi n°9 - 42015 Correggio (RE) ITALY  
Tel. ++39 0522 639111 - Fax ++39 0522 639150  
[www.corgi.com](http://www.corgi.com) - [info@corgi.com](mailto:info@corgi.com)

The drawing shows all parts but only the coded parts are supplied as spares. The Company reserves the right to make modifications without prior notice.