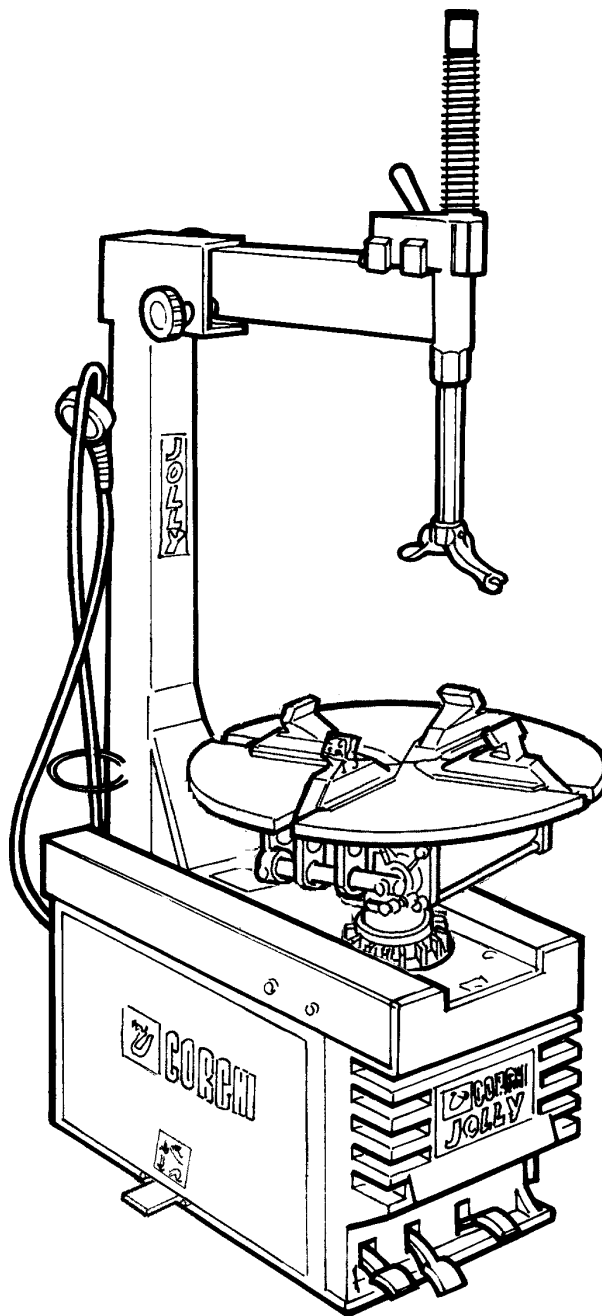


Questo libretto non autorizza l'utente ad intervenire sulle macchine ad esclusione di quanto esplicitamente descritto nel Manuale d'uso, ma consente all'utente di fornire informazioni precise all'Assistenza tecnica, al fine di ridurre i tempi di intervento.

JOLLY

The "Spare parts" booklet does not authorize the user to carry out work on the machine unless expressly specified in the instruction manual, but does enable him to provide accurate information to the assistance service in order to reduce downtime.

PEZZI DI RICAMBIO SPARE PARTS LIST ERSATZTEILLISTE PIECES DE RECHANGE



In produzione da
Production from
Herstellung ab
Production

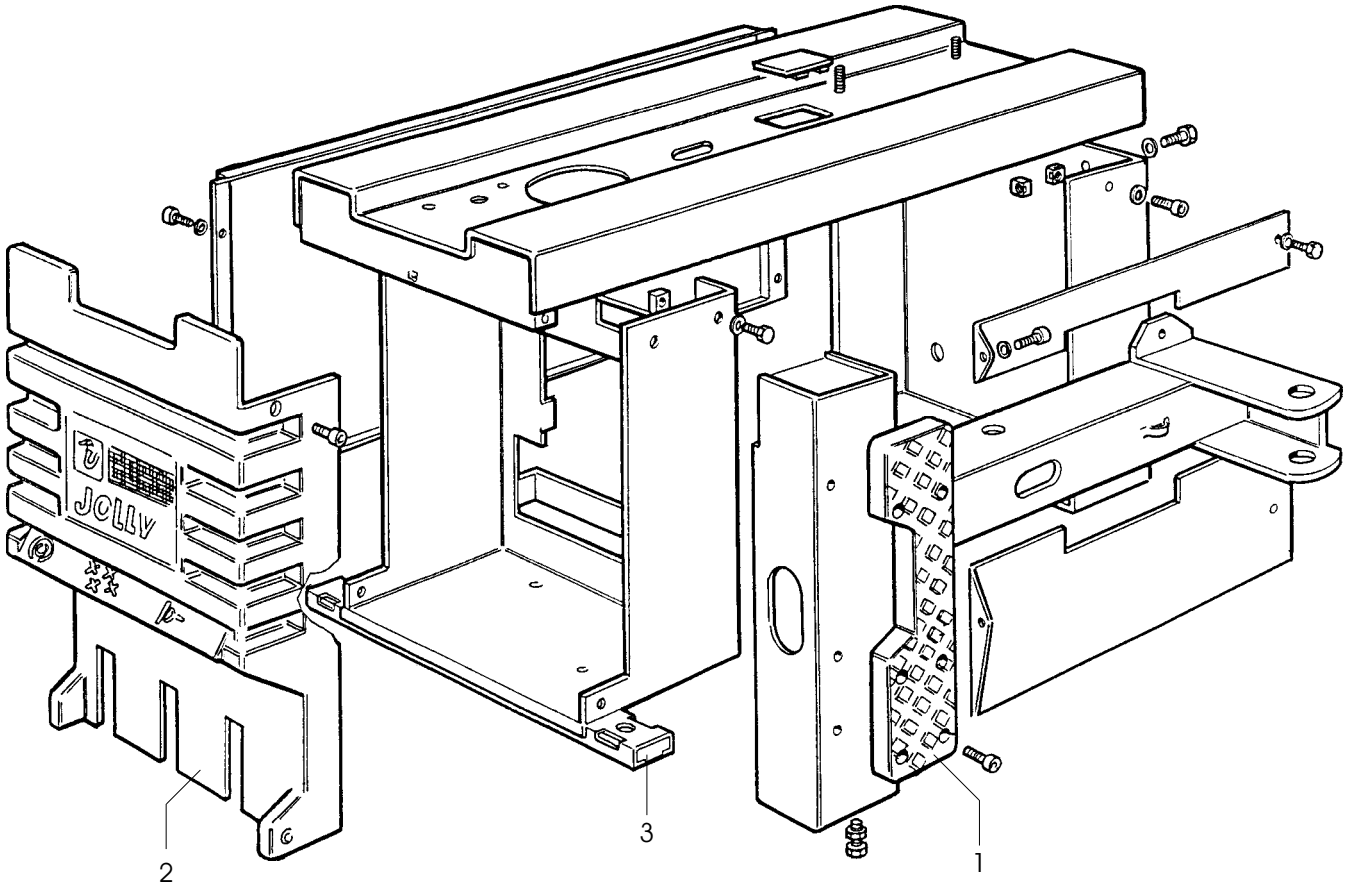
01 / 01

Versione

6.0

Der Katalog Ersatzteile stellt keine Genehmigung zu eigenmächtigen Eingriffen dar (mit Ausnahme jener im Handbuch beschriebenen), sondern er soll den Anwender in die Lage versetzen, dem technischen Service präzise Informationen zu liefern, um die Reparaturzeiten zu verkürzen.

Le livret "Pièces de rechange", n'autorise pas l'utilisateur à intervenir sur les machines, sauf pour tout ce qui est clairement décrit dans le manuel d'utilisation, mais lui permet de fournir des informations précises à l'assistance technique, afin de diminuer les délais d'intervention.

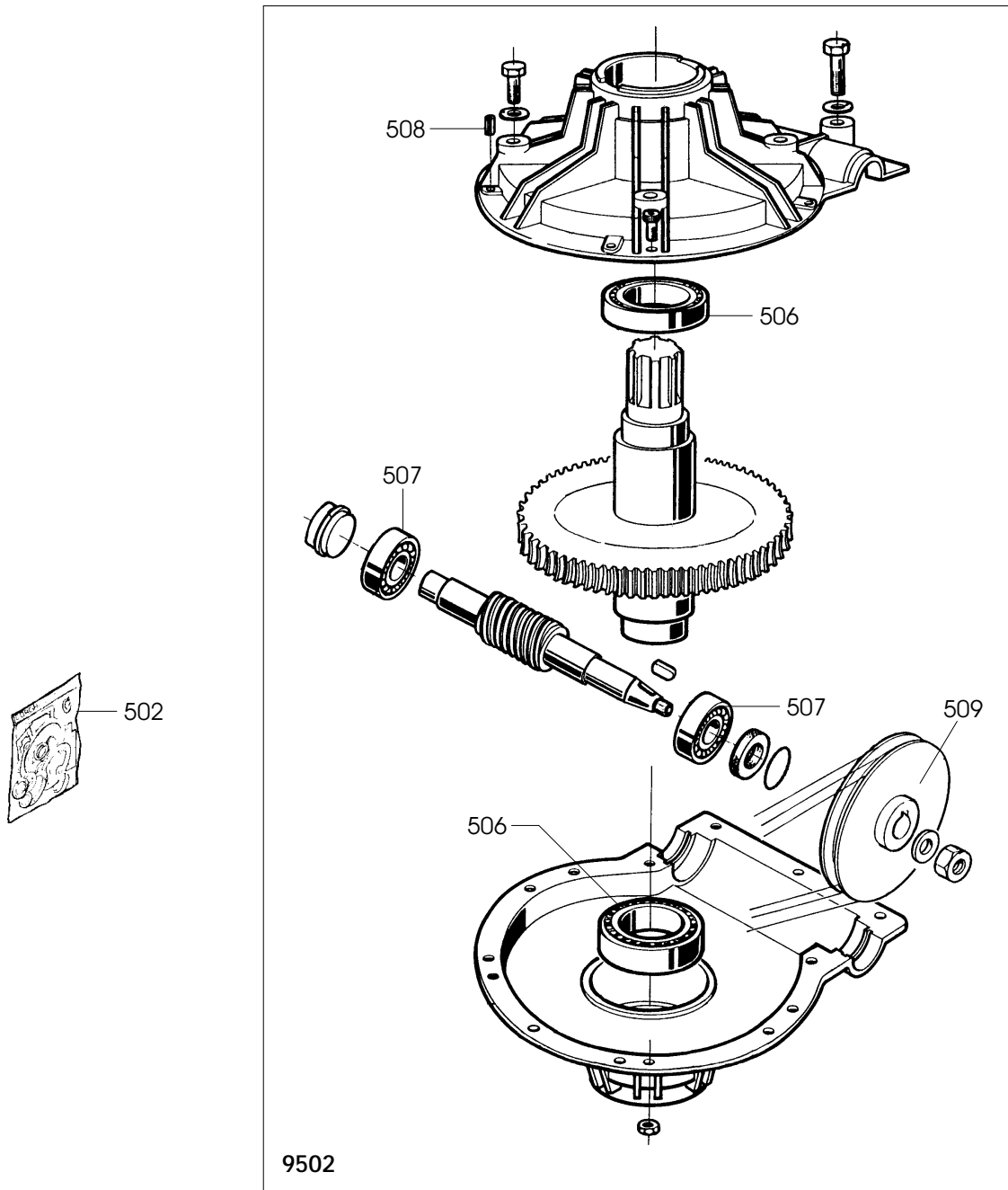


0001 900436199 APPOGGIO
 0002 900439201 COFANO
 0003 900422019 PIEDE

RIM SUPPORT
 HOOD
 FOOT

STUETZE
 HAUBE
 FUSS

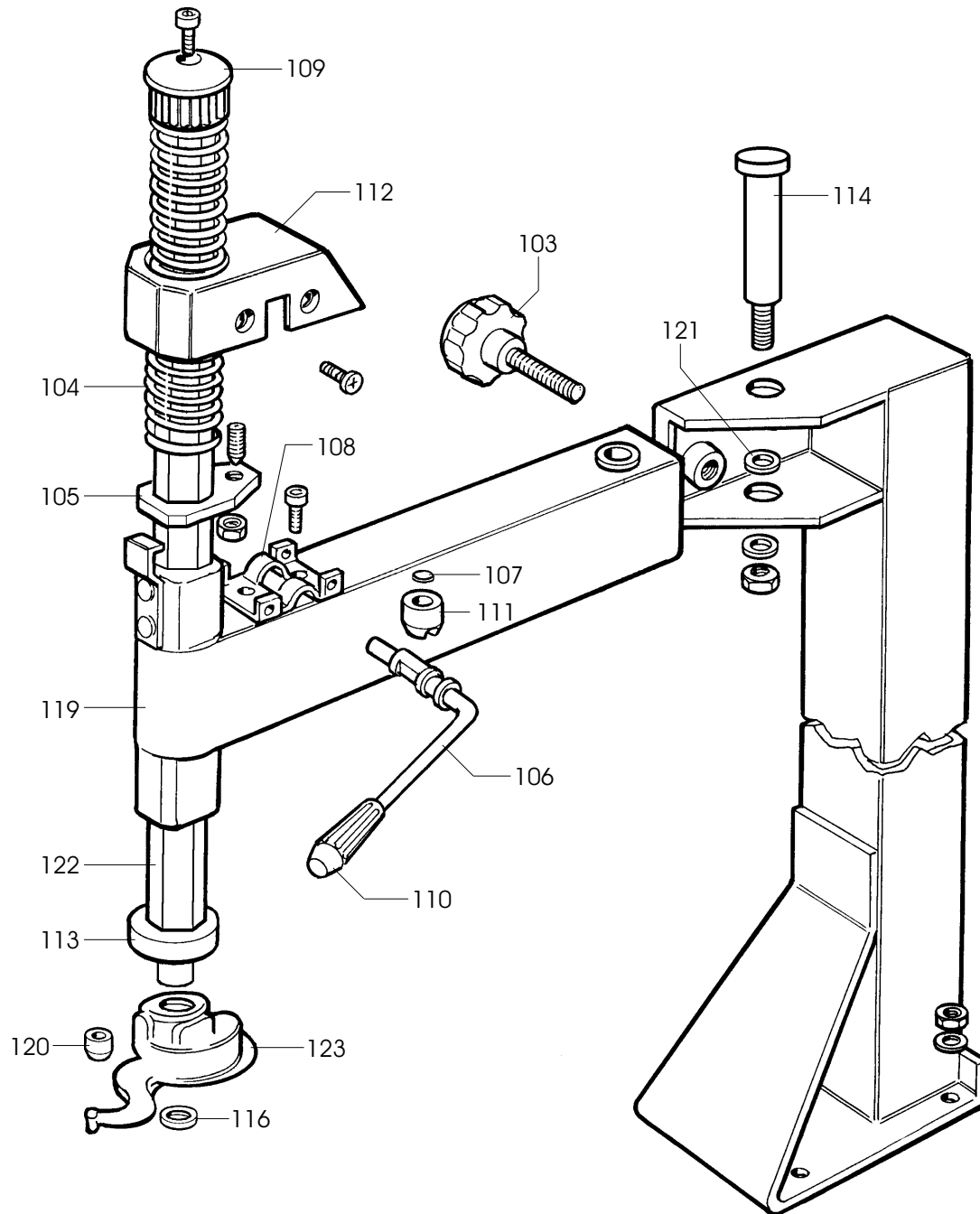
APPUI
 COFFRE
 PIED



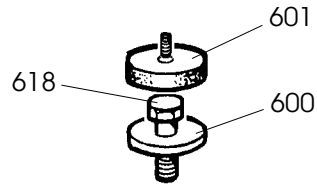
9502

0502 900238204 KIT GUARNIZIONI SEALS KIT DICHTUNGSSATZ KIT JOINTS

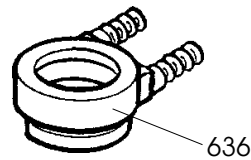
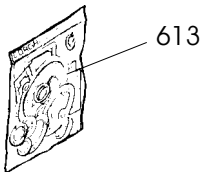
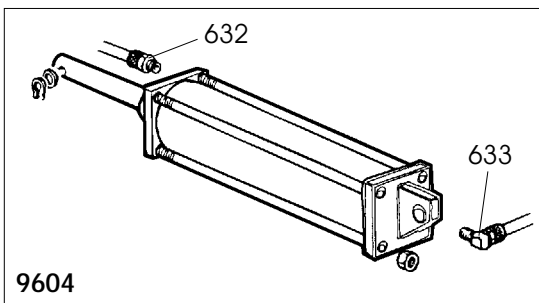
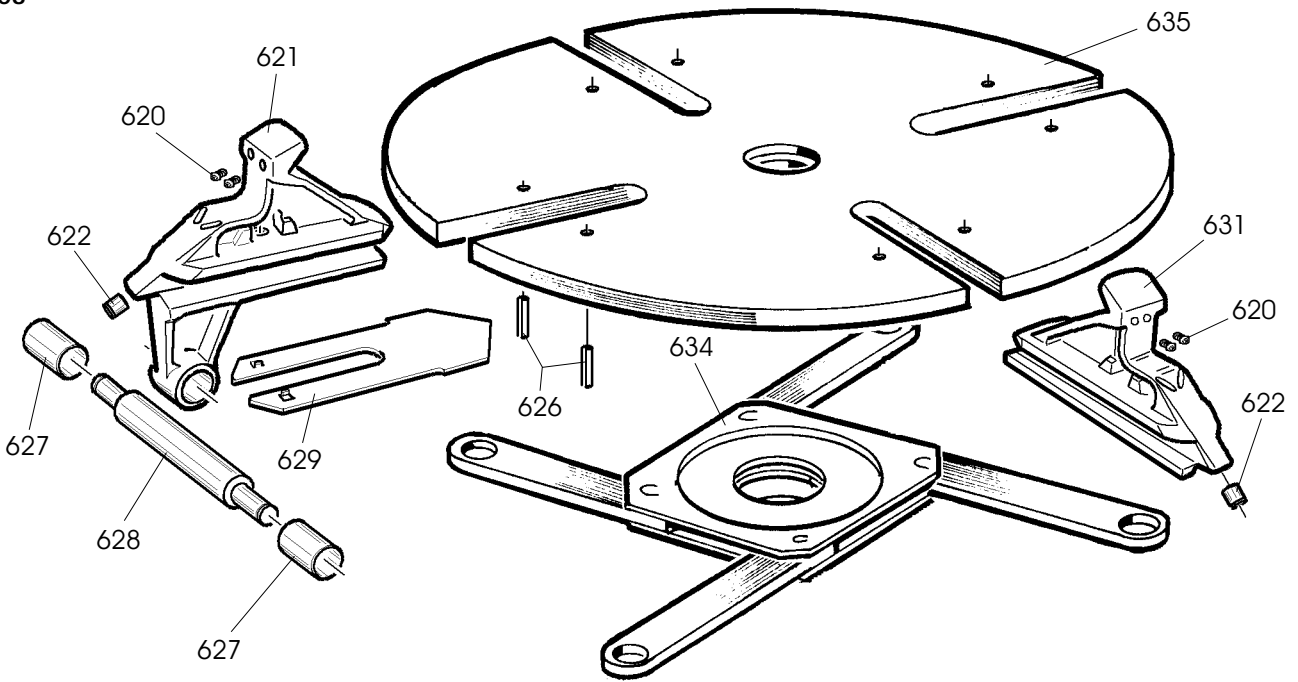
9502	900243102	RIDUTTORE	GEAR BOX	GETRIEBE	REDUCTEUR
9502	900245977	RIDUTTORE (pneum.)	GEAR BOX (pn.)	GETRIEBE (pneum.)	REDUCTEUR (pneum.)
0506	900601220	CUSCINETTO	BEARING	LAGER	ROULEMENT
0507	900601221	CUSCINETTO	BEARING	LAGER	ROULEMENT
0508	900601280	SPINA ELASTICA	PIN	SPANNSTIFT	CHEVILLE
0509	900414344	PULEGGIA	PULLEY	RIEMENSCHLEIBE	POULIE
0509	900319073	PULEGGIA (pneum.)	PULLEY (pneum.)	RIEMENSCHLEIBE (pn.)	POULIE (pneum.)




0103	900440276	MANOPOLA	KNOB	BALLENGRIFF	BOUTON
0104	900423765	MOLLA	SPRING	FEDER	RESSORT
0105	900440278	PIATTO	PLATE	TELLER	PLAT
0106	900440279	LEVA	LEVER	HEBEL	LEVIER
0107	900440280	PIASTRINA	PLATE	PLAETTCHEN	PLAQUETTE
0108	900440281	PIASTRINA	PLATE	PLAETTCHEN	PLAQUETTE
0109	900423907	POMOLO	KNOB	BALLENGRIFF	POMMEAU
0110	900417351	MANOPOLA	KNOB	BALLENGRIFF	BOUTON
0111	900440284	NOTTOLINO	PAWL	KLINKE	CLIQUET
0112	900440285	CARTER	CASING	GEHAUSE	CARTER
0113	900428681	ANELLO	RING	RING	ANNEAU
0114	900440287	PERNO	PIN	ZAPFEN	PIVOT
0116	900424275	RONDELLA	WASHER	UNTERLEGSCHIEBE	RONDELLE
0119	900240275	BRACCIO	ARM	ARM	BRAS
0120	900322738	RULLO	ROLLER	WALZE	ROULEAU
0121	900440439	RONDELLA	WASHER	UNTERLEGSCHIEBE	RONDELLE
0122	900343105	BRACCIO	ARM	ARM	BRAS
0123	900258458	TORRETTA	HEAD	DREHKOPF	TOURELLE



9603

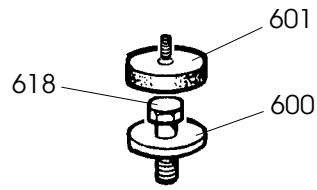


	JOLLY	Fig. D	03a / 98	Autocentrante 18"
--	-------	--------	----------	-------------------

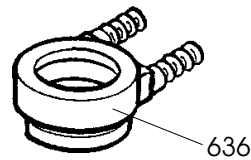
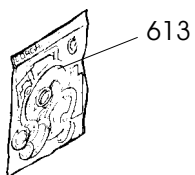
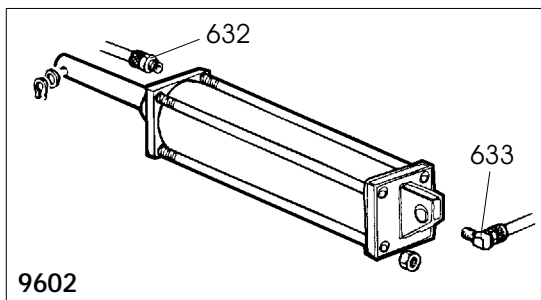
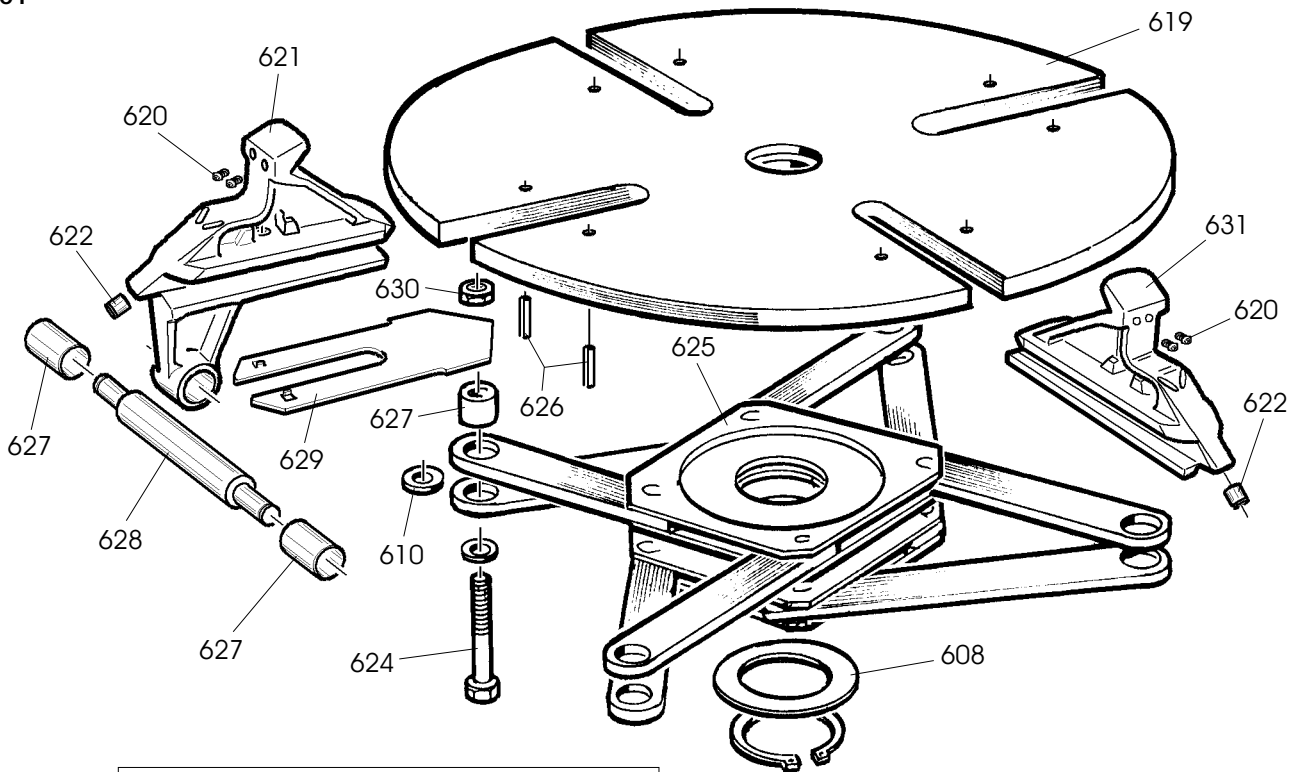
0600	900323363	RONDELLA	WASHER	UNTERLEGSCHLEIBE	RONDELLE
0601	900426514	TAPPO	PLUG	STOPFEN	BOUCHON
0613	900238548	KIT GUARNIZIONI	SEALS KIT	DICHTUNGSATZ	KIT JOINTS
0618	900601216	VITE	SCREW	SCHRAUBE	VIS

9603	900255068	AUTOCENTRANTE T.I.	TURNTABLE T.I.	SPANNFUTTER T.I.	PLATEAU AUTOC. T.I.
9603	900254745	AUTOCENTRANTE	TURNTABLE	SPANNFUTTER	PLATEAU AUTOC.
0620	900339146	PUNTE DI BLOCC.	LOCKING PEAK	FESTKLEMMENSPIITZE	POINTE DE BLOCAGE
0621	900253815	APPOGGIO	RIM SUPPORT	STUETZE	APPUI
0621	900253813	APPOGGIO T.I.	RIM SUPPORT T.I.	STUETZE T.I.	APPUI T.I.
0622	900441100	RACCORDO	CONNECTOR	ANSCHLUSS	RACCORD
0626	900601059	SPINA	PLUG	STECKER	FICHE
0628	900353804	PERNO	PIN	ZAPFEN	PIVOT
0629	900354638	COPRIASOLA	COVER	LOCHSTOPFEN	BOUCHON
0631	900253812	APPOGGIO T.I.	RIM SUPPORT T.I.	STUETZE T.I.	APPUI T.I.
0631	900253814	APPOGGIO	RIM SUPPORT	STUETZE	APPUI
0634	900239167	FLANGIA	FLANGE	FLANSCH	FLASQUE
0635	900254650	PIATTO	PLATE	TELLER	PLAT
9604	900254653	CILINDRO DESTRO	CYLINDER RIGHT	ZYLINDER	CYLINDRE
9604	900254652	CILINDRO SINISTRO	CYLINDER LEFT	ZYLINDER	CYLINDRE
0632	900441568	RACCORDO	CONNECTOR	ANSCHLUSS	RACCORD
0633	900443367	RACCORDO	CONNECTOR	ANSCHLUSS	RACCORD

0636	900241841	RACCORDO T.I.	T.I. CONNECTOR	T.I. ANSCHLUSS	RACCORD T.I.
0636	900228389	RACCORDO	CONNECTOR	ANSCHLUSS	RACCORD



9601



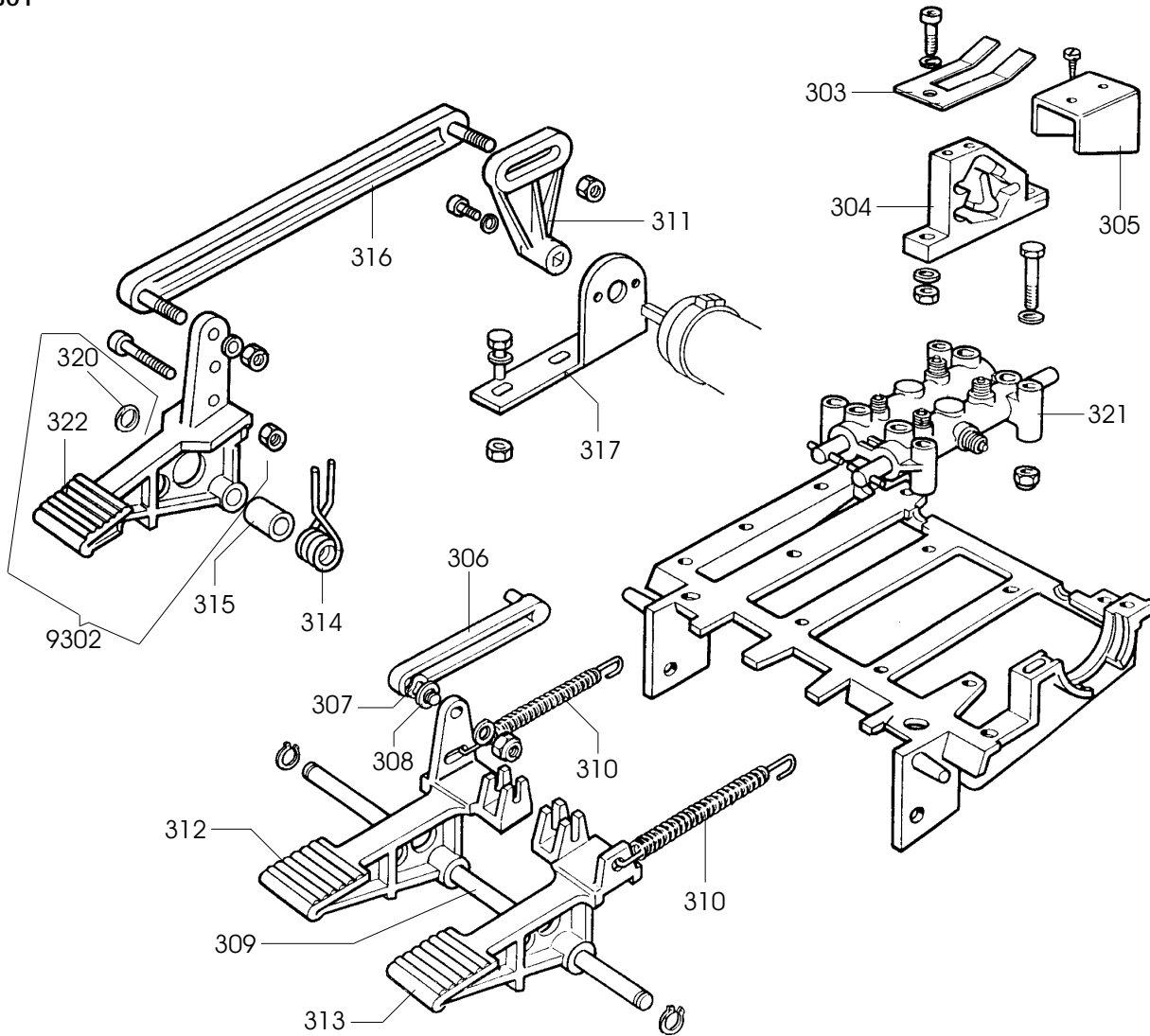
0600	900323363	RONDELLA	WASHER	UNTERLEGSCHIEBE	RONDELLE
0601	900426514	TAPPO	PLUG	STOPFEN	BOUCHON
0613	900238548	KIT GUARNIZIONI	SEALS KIT	DICHTUNGSATZ	KIT JOINTS
0618	900601216	VITE	SCREW	SCHRAUBE	VIS

9601	900253801	AUTOCENTRANTE T.I.	TURNTABLE T.I.	SPANNFUTTER T.I.	PLATEAU AUTOC. T.I.
9601	900253802	AUTOCENTRANTE	TURNTABLE	SPANNFUTTER	PLATEAU AUTOC.
0608	900455082	RONDELLA	WASHER	UNTERLEGSCHIEBE	RONDELLE
0610	900437964	RONDELLA	WASHER	UNTERLEGSCHIEBE	RONDELLE
0619	900253758	PIATTO	PLATE	TELLER	PLAT
0620	900339146	PUNTE DI BLOCC.	LOCKING PEAK	FESTKLEMMENSPIITZE	POINTE DE BLOCAGE
0621	900253815	APPOGGIO	RIM SUPPORT	STUETZE	APPUI
0621	900253813	APPOGGIO T.I.	RIM SUPPORT T.I.	STUETZE T.I.	APPUI T.I.
0622	900441100	RACCORDO	CONNECTOR	ANSCHLUSS	RACCORD
0624	900602199	VITE	SCREW	SCHRAUBE	VIS
0625	900253776	FLANGIA	FLANGE	FLANSCH	FLASQUE
0626	900601059	SPINA	PLUG	STECKER	FICHE
0627	900353803	BOCCOLA	BUSHING	LAGER	DOUILLE
0628	900353804	PERNO	PIN	ZAPFEN	PIVOT
0629	900354638	COPRIASOLA	COVER	LOCHSTOPFEN	BOUCHON
0630	900601276	DADO	NUT	MUTTER	ECROU
0631	900253812	APPOGGIO T.I.	RIM SUPPORT T.I.	STUETZE T.I.	APPUI T.I.
0631	900253814	APPOGGIO	RIM SUPPORT	STUETZE	APPUI

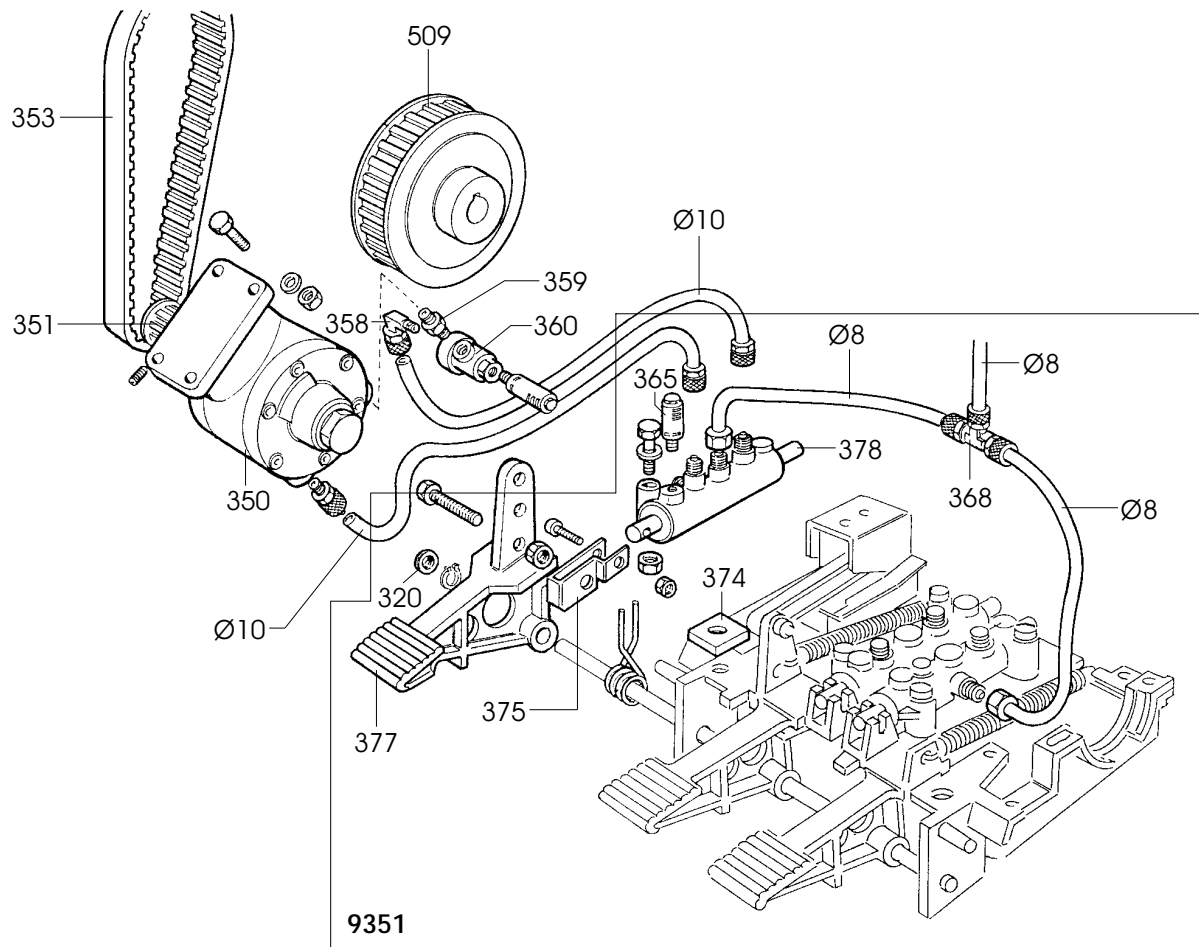
9602	900253784	CILINDRO DESTRO	CYLINDER RIGHT	ZYLINDER	CYLINDRE
9602	900253783	CILINDRO SINISTRO	CYLINDER LEFT	ZYLINDER	CYLINDRE
0632	900441568	RACCORDO	CONNECTOR	ANSCHLUSS	RACCORD
0633	900443367	RACCORDO	CONNECTOR	ANSCHLUSS	RACCORD

0636	900241841	RACCORDO T.I.	T.I. CONNECTOR	T.I. ANSCHLUSS	RACCORD T.I.
0636	900228389	RACCORDO	CONNECTOR	ANSCHLUSS	RACCORD

9301

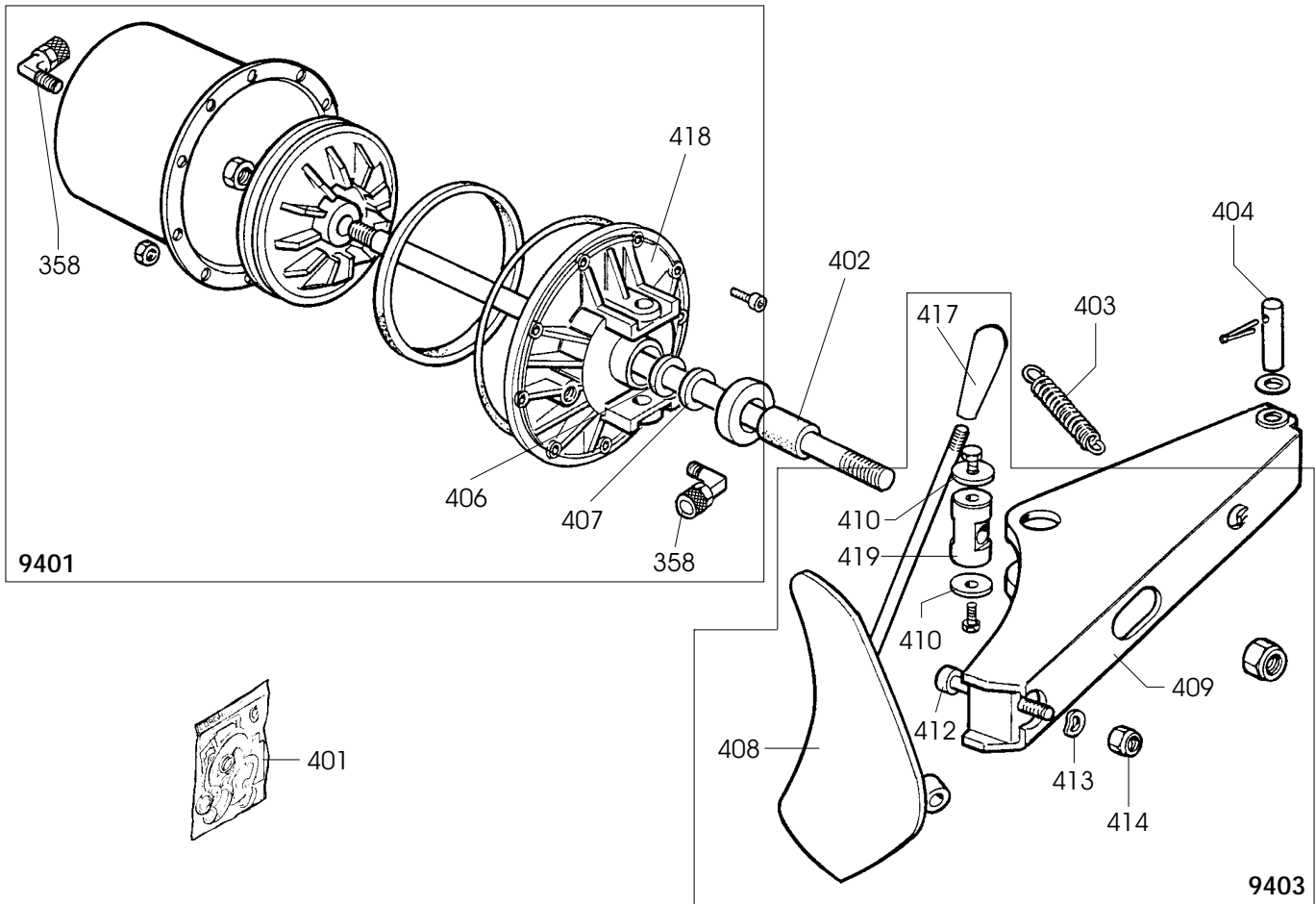


9301	900241201	PEDALIERA	CONTROL PEDAL	PEDALERIE	GR.PEDALES
0303	900325019	BALESTRA	LEAF SPRING	BLATTFEDER	RESSORT A LAMES
0304	900425020	CAMMA	CAM	NOCKEN	CAME
0305	900325018	CAVALLOTTO	U-BOLT	BUEGELBOLZEN	CRAMPILLON
0306	900425014	BIELLA	TRACE	PLEUELSTANGE	BIELLE
0307	900419888	RONDELLA	WASHER	UNTERLEGSSCHEIBE	RONDELLE
0308	900309358	RONDELLA	WASHER	UNTERLEGSSCHEIBE	RONDELLE
0309	900325583	PERNO	PIN	ZAPFEN	PIVOT
0310	900410628	MOLLA	SPRING	FEDER	RESSORT
0311	900404283	LEVA	LEVER	HEBEL	LEVIER
0312	900325031	PEDALE	PEDAL	PEDAL	PEDALE
0313	900325032	PEDALE	PEDAL	PEDAL	PEDALE
0314	900428682	MOLLA	SPRING	FEDER	RESSORT
0315	900325050	DISTANZIALE	SPACER	ABSTANDSSTUECK	ENTRETOISE
0316	900429009	BIELLA	TRACE	PLEUELSTANGE	BIELLE
0317	900334758	SUPPORTO	SUPPORT	LAGER	SUPPORT
0321	900253298	RUBINETTO	COCK	HAHN	ROBINET
9302	900252010	PEDALE+BOCCOLA	PEDAL+BUSHING	PEDAL+LAGER	PEDAL+DOUILLE
0322	900352009	PEDALE	PEDAL	PEDAL	PEDALE
0320	900452011	BOCCOLA	BUSHING	LAGER	DOUILLE



Ø8	900701683	TUBO	PIPE	ROHR	TUYAU
Ø10	900701875	TUBO	PIPE	ROHR	TUYAU
0350	900319135	MOTORE	MOTOR	MOTOR	MOTEUR
0351	900319076	PULEGGIA	PULLEY	RIEMENSCHIEBE	POULIE
0353	900425238	CINGHIA	BELT	RIEMEN	COURROIE
0358	900418350	RACCORDO	CONNECTOR	ANSCHLUSS	RACCORD
0359	900419142	NIPPLO	CONNECTION	NIPPEL	NIPPLE
0360	900419141	VALVOLA	VALVE	VENTIL	VANNE
0509	900319073	PULEGGIA	PULLEY	RIEMENSCHIEBE	POULIE

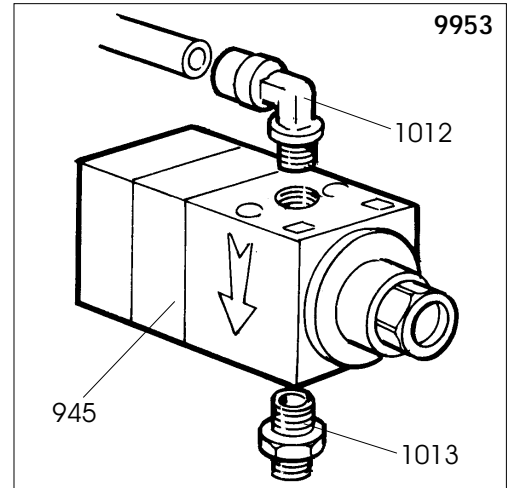
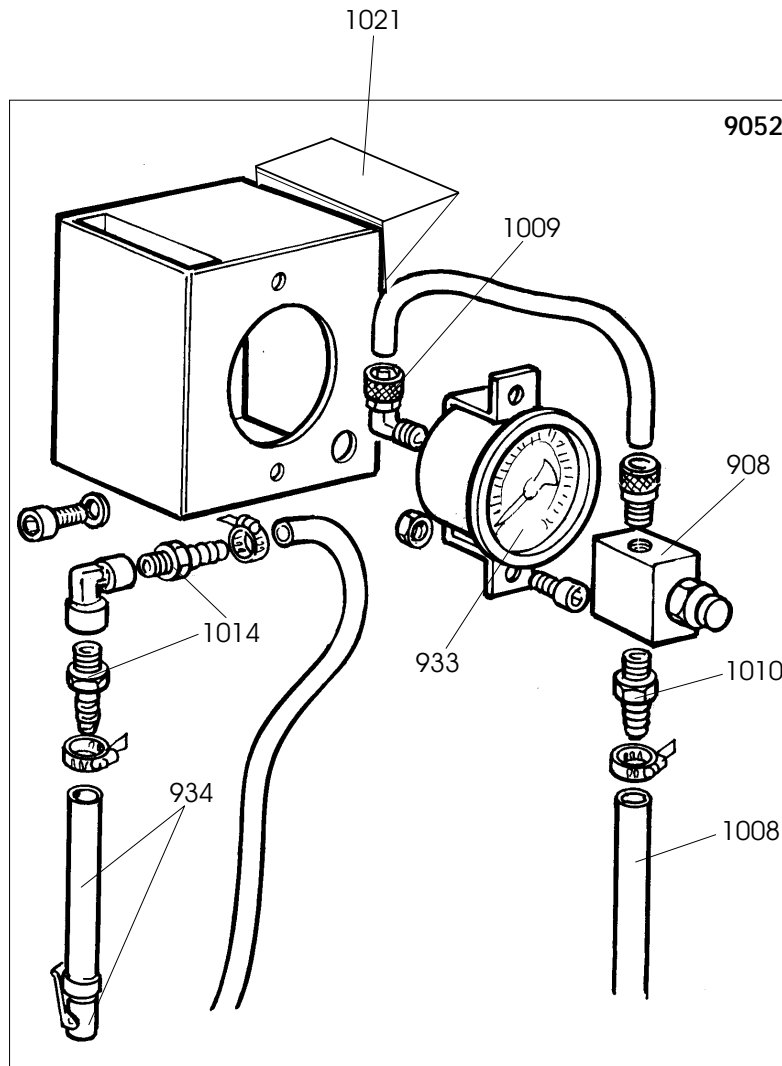
9351	900270526	PEDALIERA	CONTROL PEDAL	PEDALERIE	GR.PEDALES
0320	900452011	BOCCOLA	BUSHING	LAGER	DOUILLE
0365	900422682	SILENZIATORE	SILENCER	SCHALLDAEMPFER	SILENCIEUX
0368	900415860	RACCORDO	CONNECTOR	ANSCHLUSS	RACCORD
0374	900329058	PIASTRINA	PLATE	PLAETTCHEN	PLAQUETTE
0375	900331381	BIELLA	TRACE	PLEUELSTANGE	BIELLE
0377	900352029	PEDALE	PEDAL	PEDAL	PEDALE
0378	900258456	RUBINETTO	COCK	HAHN	ROBINET



0401	900238212	KIT GUARNIZIONI	SEALS KIT	DICHTUNGSATZ	KIT JOINTS
0402	900424096	TAMPONE	PAD	PUFFER	TAMPON
0403	900424364	MOLLA	SPRING	FEDER	RESSORT
0404	900323903	FULCRO	FULCRUM	DREHPUNKT	ENTABLURE

9401	900231706	CILINDRO	CYLINDER	ZYLINDER	CYLINDRE
0358	900418350	RACCORDO	CONNECTOR	ANSCHLUSS	RACCORD
0406	900325561	RONDELLA	WASHER	UNTERLEGSCHIEBE	RONDELLE
0407	900434031	ANELLO	RING	RING	ANNEAU
0418	900351905	FLANGIA	FLANGE	FLANSCH	FLASQUE

9403	900249612	BRACCIO	ARM	ARM	BRAS
0408	900224000	PALETTA	BEAD BREAKER	SCHAUFEL	PELLE
0409	900224003	BRACCIO	ARM	ARM	BRAS
0410	950323901	RONDELLA	WASHER	UNTERLEGSCHIEBE	RONDELLE
0412	900324008	PERNO	PIN	ZAPFEN	PIVOT
0413	900409650	RONDELLA	WASHER	UNTERLEGSCHIEBE	RONDELLE
0414	900422255	DADO	NUT	MUTTER	ECROU
0417	900425219	MANOPOLA	KNOB	BALLENGRIFF	BOUTON
0419	900339045	PERNO	PIN	ZAPFEN	PIVOT

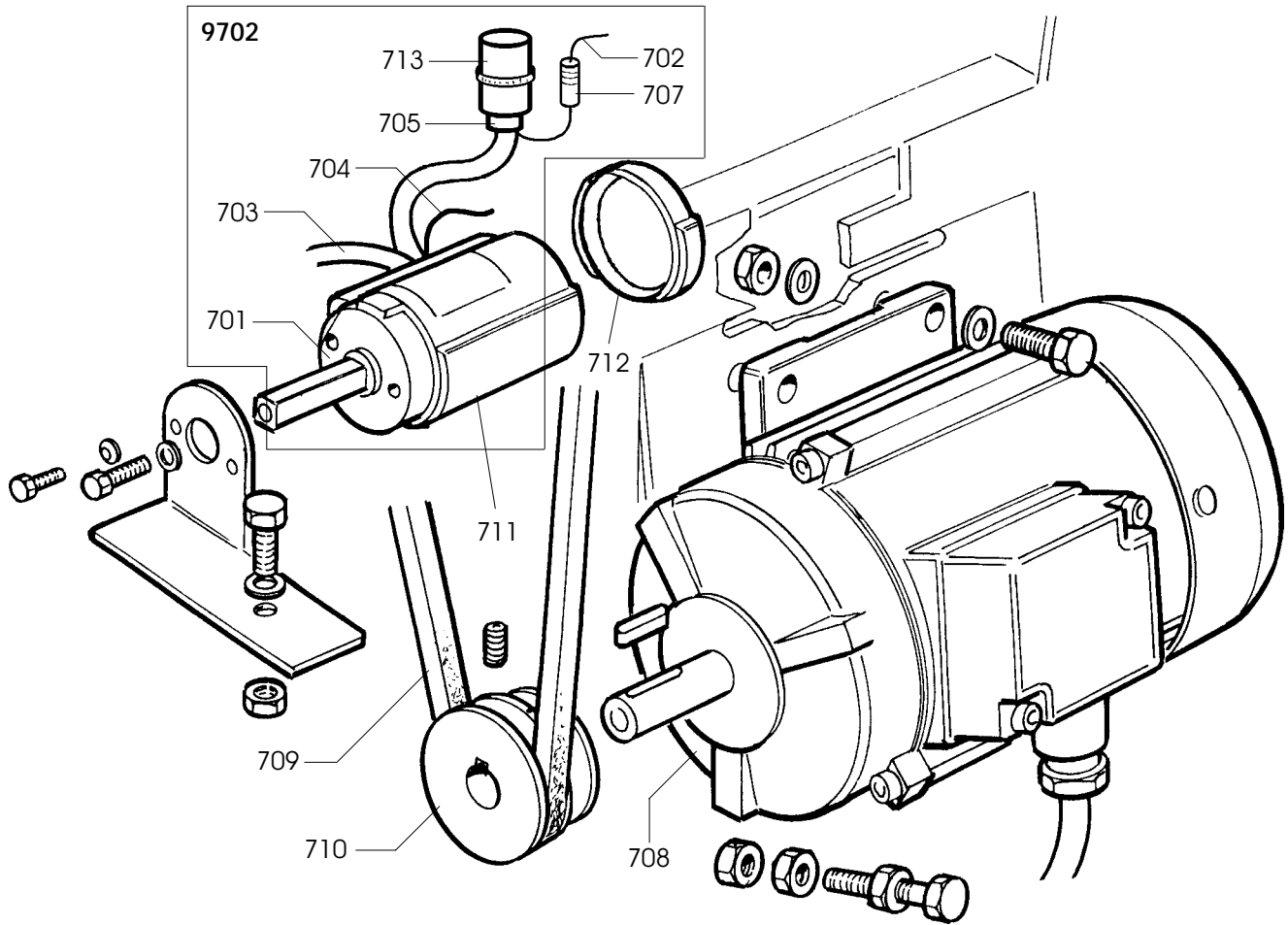


Ø 6	900701684	TUBO	PIPE	ROHR	TUYAU
Ø 8	900701683	TUBO	PIPE	ROHR	TUYAU
Ø 10	900701875	TUBO	PIPE	ROHR	TUYAU

9952	900252598	SCATOLA - BAR	BOX - BAR	SCHACHTEL - BAR	BOITE - BAR
9952	900252599	SCATOLA - BAR/PSI	BOX - BAR/PSI	SCHACHTEL - BAR/PSI	BOITE - BAR/PSI
0934	900235462	TUBO	PIPE	ROHR	TUYAU
		MANOMETRO	PRESSURE GAUGE	DRUCKMESSER	MANOMETRE
0933	900434175	BAR	BAR	BAR	BAR
0933	900437831	BAR - PSI	BAR - PSI	BAR - PSI	BAR - PSI
0908	900235463	VALVOLA	VALVE	VENTIL	VANNE
1008	900352614	TUBO aria	PIPE	ROHR	TUYAU
1009	900434180	RACCORDO	CONNECTOR	ANSCHLUSS	RACCORD
1014	900429536	INNESTO	CLUTCH	KUPPLUNG	EMBAYAGE

1121	900341101	SUPPORTO	SUPPORT	LAGER	SUPPORT
------	-----------	----------	---------	-------	---------

9953	801252558	VALVOLA	VALVE	VENTIL	VANNE
0945	900452553	VALVOLA	VALVE	VENTIL	VANNE
1012	900446939	RACCORDO	CONNECTOR	ANSCHLUSS	RACCORD
1013	900352557	RACCORDO	CONNECTOR	ANSCHLUSS	RACCORD



IMPIANTO ELETTRICO ELECTRIC SYSTEM ELEKTRISCHE ANLAGE INSTALL. ELECTRIQUE

9702	900249882	110V 1ph	110V 1ph	110V 1ph	110V 1ph
0701	900435363	INVERTITORE	REVERSER	RICHTUNGSWENDER	INVERSEUR
0702	900230709	CAVO	CABLE	KABEL	CABLE
0703	900225419	CAVO	CABLE	KABEL	CABLE
0704	900225438	CAVALLOTTO	U-BOLT	BUEGELBOLZEN	CRAMPILLON
0705	900430750	CAPPELLOTTO	CAP NUT	ABSCHLUSSKAPPE	CAPUCHON
0707	900430770	RESISTENZA	RESISTANCE	WIDERSTAND	RESISTANCE
0713	900449751	CONDENSATORE	CAPACITOR	KONDENSATOR	CONDENSATEUR

9702	900249881	220V 1ph	220V 1ph	220V 1ph	220V 1ph
0701	900421523	INVERTITORE	REVERSER	RICHTUNGSWENDER	INVERSEUR
0702	900235520	CAVO	CABLE	KABEL	CABLE
0703	900225419	CAVO	CABLE	KABEL	CABLE
0704	900225051	CAVALLOTTO	U-BOLT	BUEGELBOLZEN	CRAMPILLON
0705	900414850	CAPPELLOTTO	CAP NUT	ABSCHLUSSKAPPE	CAPUCHON
0707	900430770	RESISTENZA	RESISTANCE	WIDERSTAND	RESISTANCE
0713	900449750	CONDENSATORE	CAPACITOR	KONDENSATOR	CONDENSATEUR

9702	900235574	3ph	3ph	3ph	3ph
0701	900421523	INVERTITORE	REVERSER	RICHTUNGSWENDER	INVERSEUR
0702	900235518	CAVO	CABLE	KABEL	CABLE
0703	900225390	CAVO	CABLE	KABEL	CABLE
0704	900225051	CAVALLOTTO	U-BOLT	BUEGELBOLZEN	CRAMPILLON

		MOTORE	MOTOR	MOTOR	MOTEUR
0708	950412959	380V 3ph	380V 3ph	380V 3ph	380V 3ph
0708	900426793	260/440V 3ph	260/440V 3ph	260/440V 3ph	260/440V 3ph
0708	900449747	220V 1ph 50Hz	220V 1ph 50Hz	220V 1ph 50Hz	220V 1ph 50Hz
0708	900449748	220V 1ph 60Hz	220V 1ph 60Hz	220V 1ph 60Hz	220V 1ph 60Hz
0708	900449749	110V 1ph 60Hz	110V 1ph 60Hz	110V 1ph 60Hz	110V 1ph 60Hz
0709	900426352	CINGHIA	BELT	RIEMEN	COURROIE
0710	900325274	PULEGGIA	PULLEY	RIEMENSCHLEIBE	POULIE
0711	900432065	PROTEZIONE	SHIELD	ABDECKUNG	PROTECTION
0712	900430991	COPERCHIO	LID	DECKEL	COUVERCLE

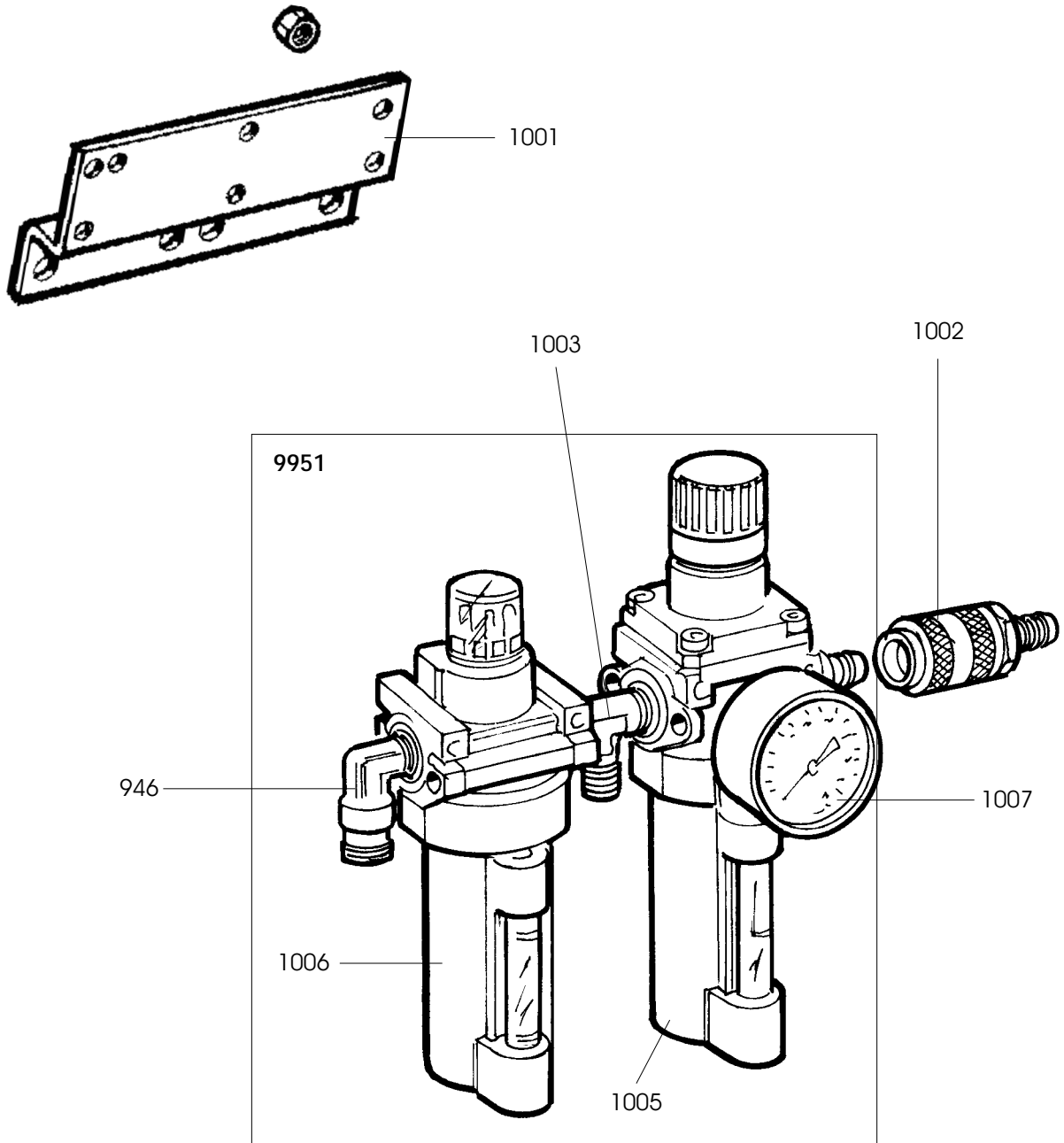
Ø 6	900701684	TUBO	PIPE	ROHR	TUYAU
Ø 8	900701683	TUBO	PIPE	ROHR	TUYAU

9905	900252568	GRUPPO gonfiaggio	ASSEMBLY	GRUPPE	GROUPE
0908	900235463	VALVOLA	VALVE	VENTIL	VANNE
0944	900452564	VALVOLA	VALVE	VENTIL	VANNE
0945	900452553	VALVOLA	VALVE	VENTIL	VANNE
0946	900450406	RACCORDO	CONNECTOR	ANSCHLUSS	RACCORD
0947	900418252	NIPPLO	CONNECTION	NIPPEL	NIPPLE
0948	900421137	INNESTO	CLUTCH	KUPPLUNG	EMBRYAGE
1008	900352614	TUBO aria	PIPE	ROHR	TUYAU

9903	900240968	SERBATOIO	TANK	TANK	RESERVOIR
0918	900337704	RACCORDO	CONNECTOR	ANSCHLUSS	RACCORD
0919	900438995	RACCORDO	CONNECTOR	ANSCHLUSS	RACCORD
0920	900435077	VALVOLA	VALVE	VENTIL	VANNE

9904	900241124	VALVOLA	VALVE	VENTIL	VANNE
0942	900438665	RACCORDO	CONNECTOR	ANSCHLUSS	RACCORD
0943	900441651	RACCORDO	CONNECTOR	ANSCHLUSS	RACCORD

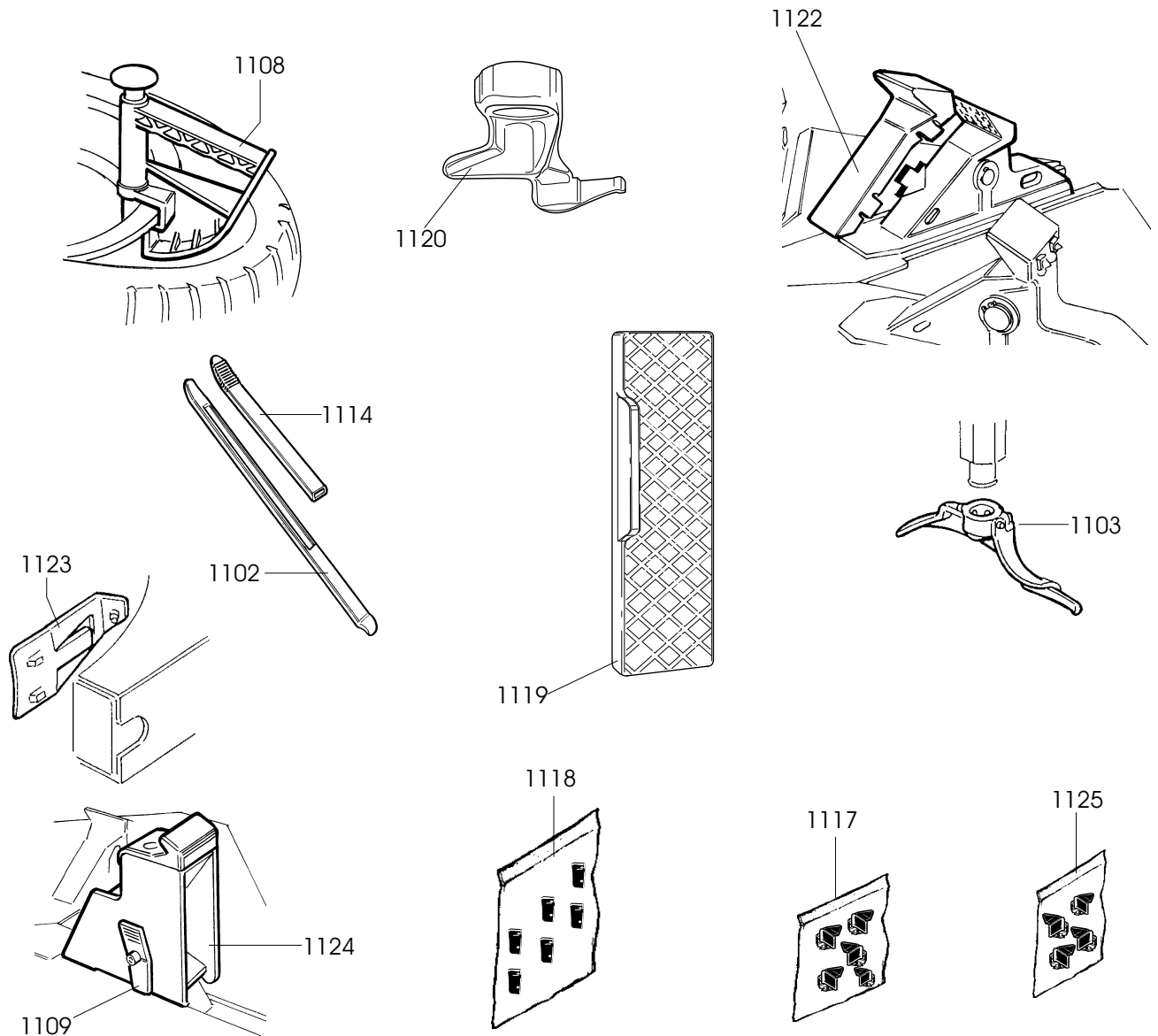
0939	900252625	PEDALE	PEDAL	PEDAL	PEDALE
0940	900343626	TUBO	PIPE	ROHR	TUYAU
0941	900341156	TUBO	PIPE	ROHR	TUYAU



0946	900450406	RACCORDO	CONNECTOR	ANSCHLUSS	RACCORD
1001	900335695	STAFFA	BRACKET	KLAUE	ETRIER
1002	900441899	GIUNTO	COUPLING	KUPPLUNG	ACCOUPEMENT
1003	900433873	RACCORDO	CONNECTOR	ANSCHLUSS	RACCORD

9951	900441901	FILTRO	FILTER	FILTER	FILTRE
1005	900439376	BICCHIERE	BOWL	GLAS	BOL
1006	900439377	BICCHIERE	BOWL	GLAS	BOL

1007	900434818	MANOMETRO	PRESSURE GAUGE	DRUCKMESSER	MANOMETRE
------	-----------	-----------	----------------	-------------	-----------



		DOTAZIONE	MACHINE KIT	LIEFERUMFANG	EQUIPMENT
1102	900444288	LEVA	LEVER	HEBEL	LEVIER
		A RICHIESTA	OPTIONAL	SONDERZUBEHÖR	OPTION
1109	900440559	CRICCHETTO	CRICK	SPERRKLINKE	CLIQUET
1103	900228563	TORRETTA	HEAD	DREHKOPF	TOURELLE
1108	801435685	PINZA	PLIERS	ZANGE	PINCE
1114	801246241	PROTEZIONE	SHIELD	ABDECKUNG	PROTECTION
1117	801254342	PROTEZIONE	SHIELD	ABDECKUNG	PROTECTION
1118	801258383	PROTEZIONE	SHIELD	ABDECKUNG	PROTECTION
1119	801458663	PROTEZIONE	SHIELD	ABDECKUNG	PROTECTION
1120	801252083	TORRETTA	HEAD	DREHKOPF	TOURELLE
1122	801254343	PROTEZIONE	SHIELD	ABDECKUNG	PROTECTION
1123	801260402	STALLONATORE	BEAD BREAKER	WULSTABDRUECKER	DETALLONEUR
1124	900258649	ATTACCO	ADAPTOR	HALTERUNG	ATTAQUE
1125	801254341	INSERTO	INSERT	EINLAGE	INSERT

Il disegno è realizzato con tutti i particolari ma solo quelli codificati sono forniti come ricambi. L'Azienda si riserva la facoltà di apportare modifiche senza preavviso.



S.S. 468 n°9 - 42015 Correggio (RE) ITALY
Tel. ++39 0522 639111 - Fax ++39 0522 639150
www.corgchi.com - info@corgchi.com

The drawing shows all parts but only the coded parts are supplied as spares. The Company reserves the right to make modifications without prior notice.