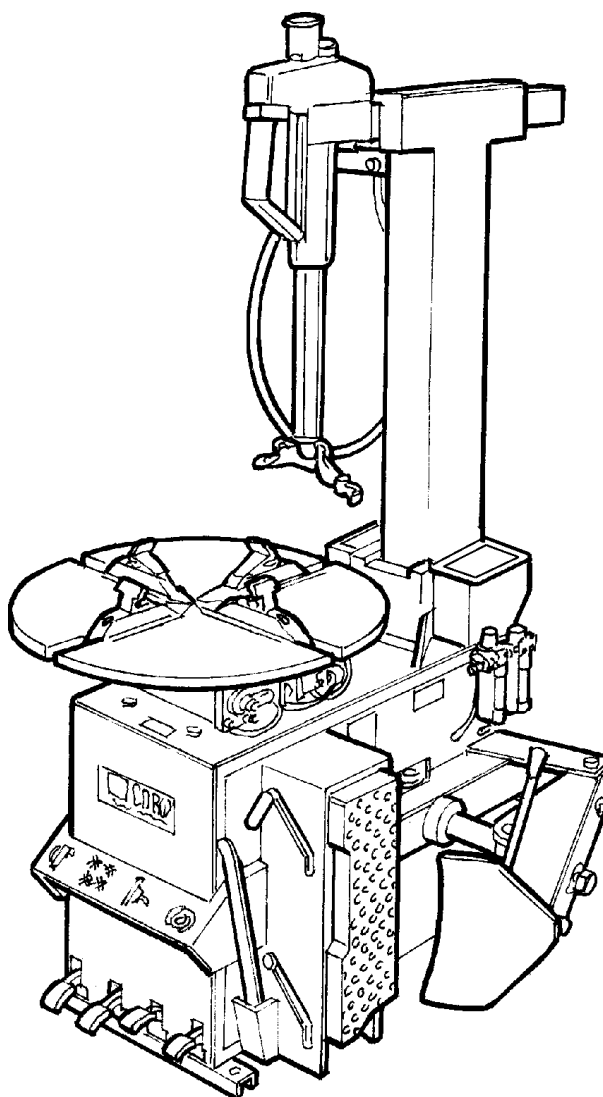


Questo libretto non autorizza l'utente ad intervenire sulle macchine ad esclusione di quanto esplicitamente descritto nel Manuale d'uso, ma consente all'utente di fornire informazioni precise all'Assistenza tecnica, al fine di ridurre i tempi di intervento.

A2010

The "Spare parts" booklet does not authorize the user to carry out work on the machine unless expressly specified in the instruction manual, but does enable him to provide accurate information to the assistance service in order to reduce downtime.

PEZZI DI RICAMBIO SPARE PARTS LIST ERSATZTEILLISTE PIECES DE RECHANGE



Versione

6.0

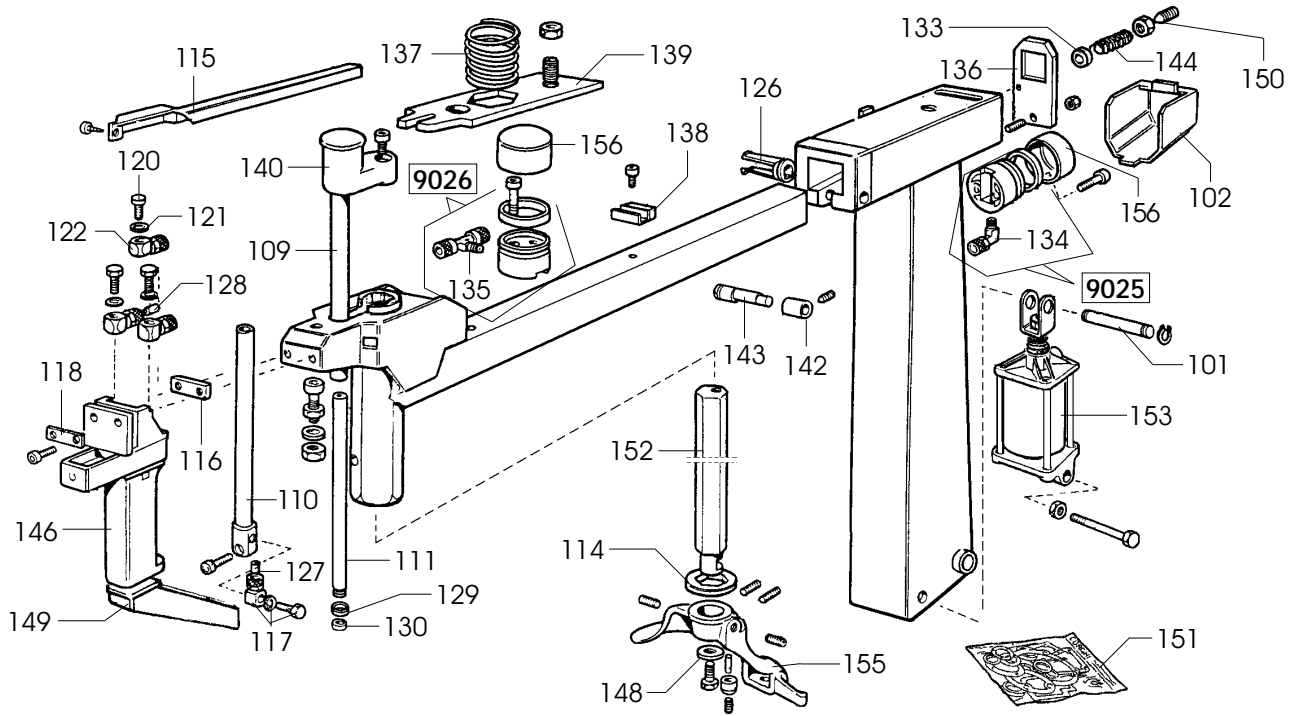
In produzione da
Production from
Herstellung ab
Production


02 / 03

Der Katalog Ersatzteile stellt keine Genehmigung zu eigenmächtigen Eingriffen dar (mit Ausnahme jener im Handbuch beschriebenen), sondern er soll den Anwender in die Lage versetzen, dem technischen Service präzise Informationen zu liefern, um die Reparaturzeiten zu verkürzen.



Le livret "Pièces de rechange", n'autorise pas l'utilisateur à intervenir sur les machines, sauf pour tout ce qui est clairement décrit dans le manuel d'utilisation, mais lui permet de fournir des informations précises à l'assistance technique, afin de diminuer les délais d'intervention.



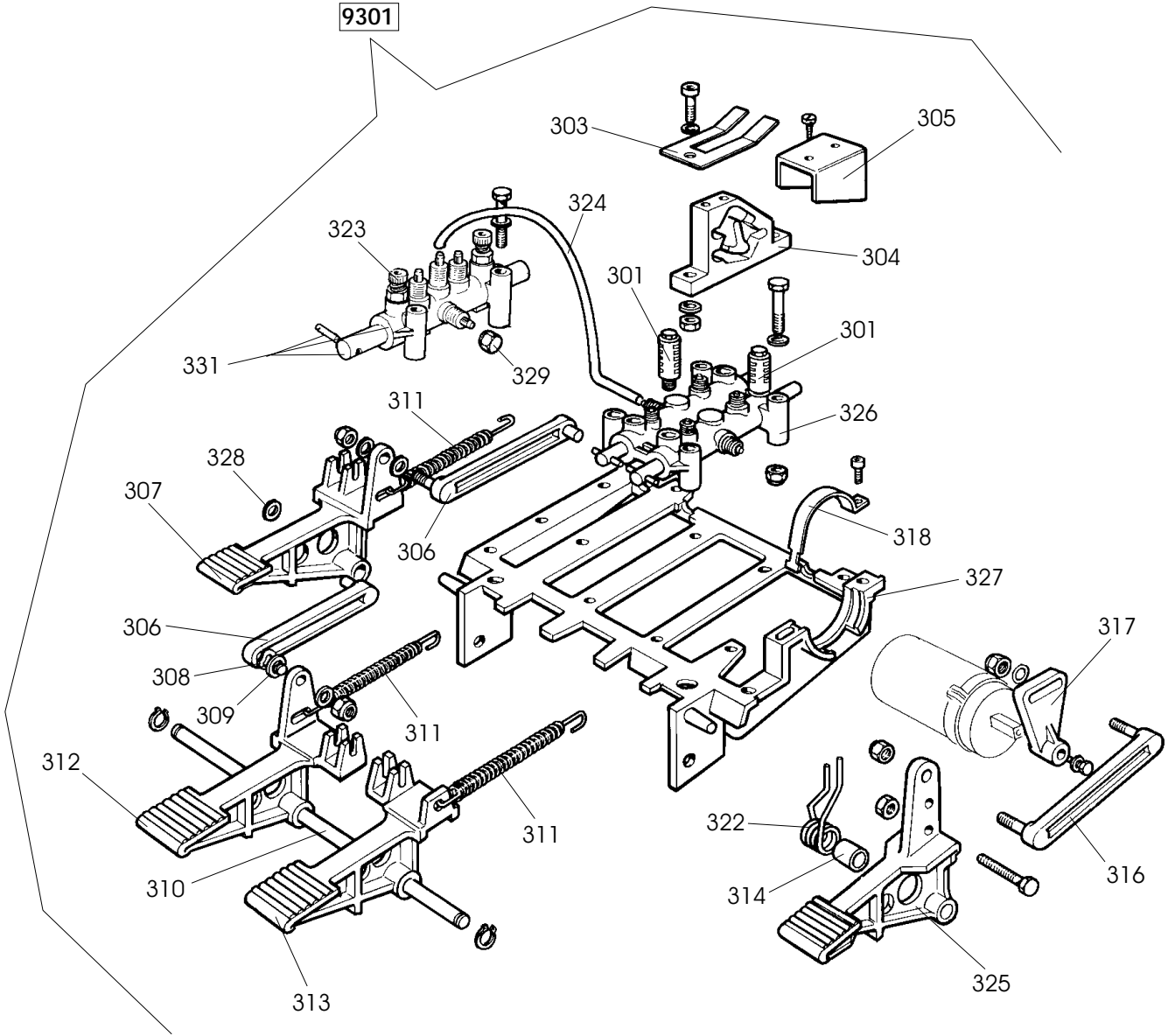
	A 2010	Fig. A	04/00	Braccio operante
--	---------------	---------------	--------------	-------------------------

0101	900326667	PERNO	PIN	ZAPFEN	PIVOT
0102	900426773	PROTEZIONE	SHIELD	ABDECKUNG	PROTECTION
0109	900338858	TUBO	PIPE	ROHR	TUYAU
0110	900238856	SUPPORTO	SUPPORT	LAGER	SUPPORT
0111	900338855	STELO	STEM	SCHAFT	TIGE
0114	900428681	ANELLO	RING	RING	ANNEAU
0115	900426763	GUIDA	GUIDE	FUEHRUNG	GLISSIERE
0116	900327284	PIASTRINA	PLATE	PLAETTCHEN	PLAQUETTE
0117	900427290	RACCORDO	CONNECTOR	ANSCHLUSS	RACCORD
0118	900327283	PIASTRINA	PLATE	PLAETTCHEN	PLAQUETTE
0120	900428719	VITE	SCREW	SCHRAUBE	VIS
0121	900428720	RONDELLA	WASHER	UNTERLEGSCHEIBE	RONDELLE
0122	900428718	ANELLO	RING	RING	ANNEAU
0126	900431061	BOCCOLA	BUSHING	LAGER	DOUILLE
0127	900327753	STROZZATORE	THROTTLER	DROSSELKLAPPE	ETRANGLEUR
0128	900331783	STROZZATORE	THROTTLER	DROSSELKLAPPE	ETRANGLEUR
0129	900427299	GUARNIZIONE	SEAL	DICHTUNG	JOINT
0130	900432090	ANELLO	RING	RING	ANNEAU
0133	900339803	BOCCOLA	BUSHING	LAGER	DOUILLE

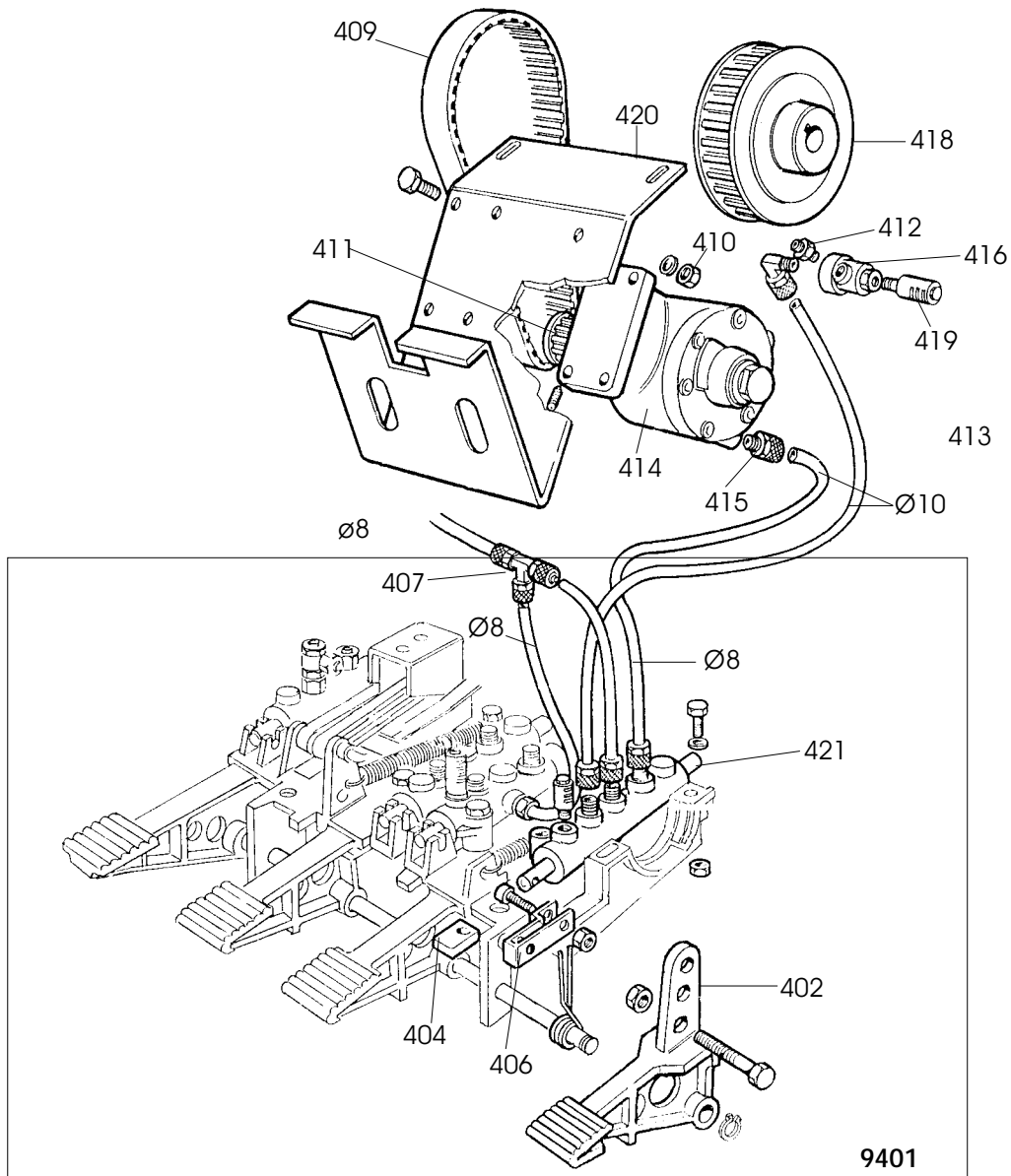
9025	900239805	PISTONE	PISTON	KOLBEN	PISTON
0134	900414842	RACCORDO	CONNECTOR	ANSCHLUSS	RACCORD

9026	900239806	PISTONE	PISTON	KOLBEN	PISTON
0135	900414859	RACCORDO	CONNECTOR	ANSCHLUSS	RACCORD

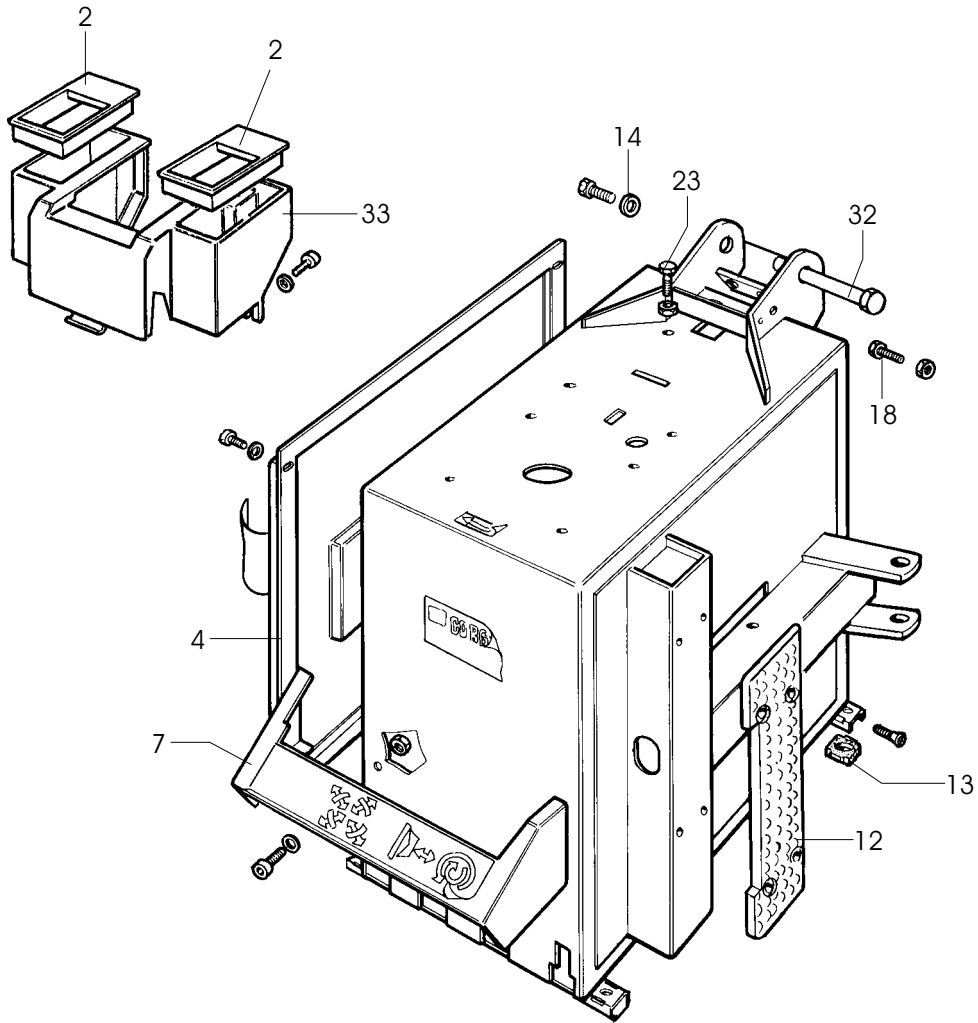
0136	900336142	PIASTRA	SLAB	PLATTE	PLAQUE
0137	900440342	MOLLA	SPRING	FEDER	RESSORT
0138	900240516	PIASTRINA	PLATE	PLAETTCHEN	PLAQUETTE
0139	900340429	PIASTRA	SLAB	PLATTE	PLAQUE
0140	900440428	POMOLO	KNOB	BALLENGRIFF	POMMEAU
0142	900339782	RULLO	ROLLER	WALZE	ROULEAU
0143	900339786	PERNO	PIN	ZAPFEN	PIVOT
0144	900439787	MOLLA	SPRING	FEDER	RESSORT
0146	900231744	RUBINETTO	COCK	HAHN	ROBINET
0148	900350194	RONDELLA	WASHER	UNTERLEGSCHEIBE	RONDELLE
0149	900440692	PROLUNGA	EXTENSION CORD	VERLAENGERUNG	RALLONGE
0151	900241484	KIT GUARNIZIONI	SEALS KIT	DICHTUNGSATZ	KIT JOINTS
0152	900341639	BRACCIO	ARM	ARM	BRAS
0153	900244589	CILINDRO	CYLINDER	ZYLINDER	CYLINDRE
0155	900258458	TORRETTA	MOUNT/DEMOUNT HEAD		DREHKOPF TOURELLE
0156	900326537	CILINDRO	CYLINDER	ZYLINDER	CYLINDRE



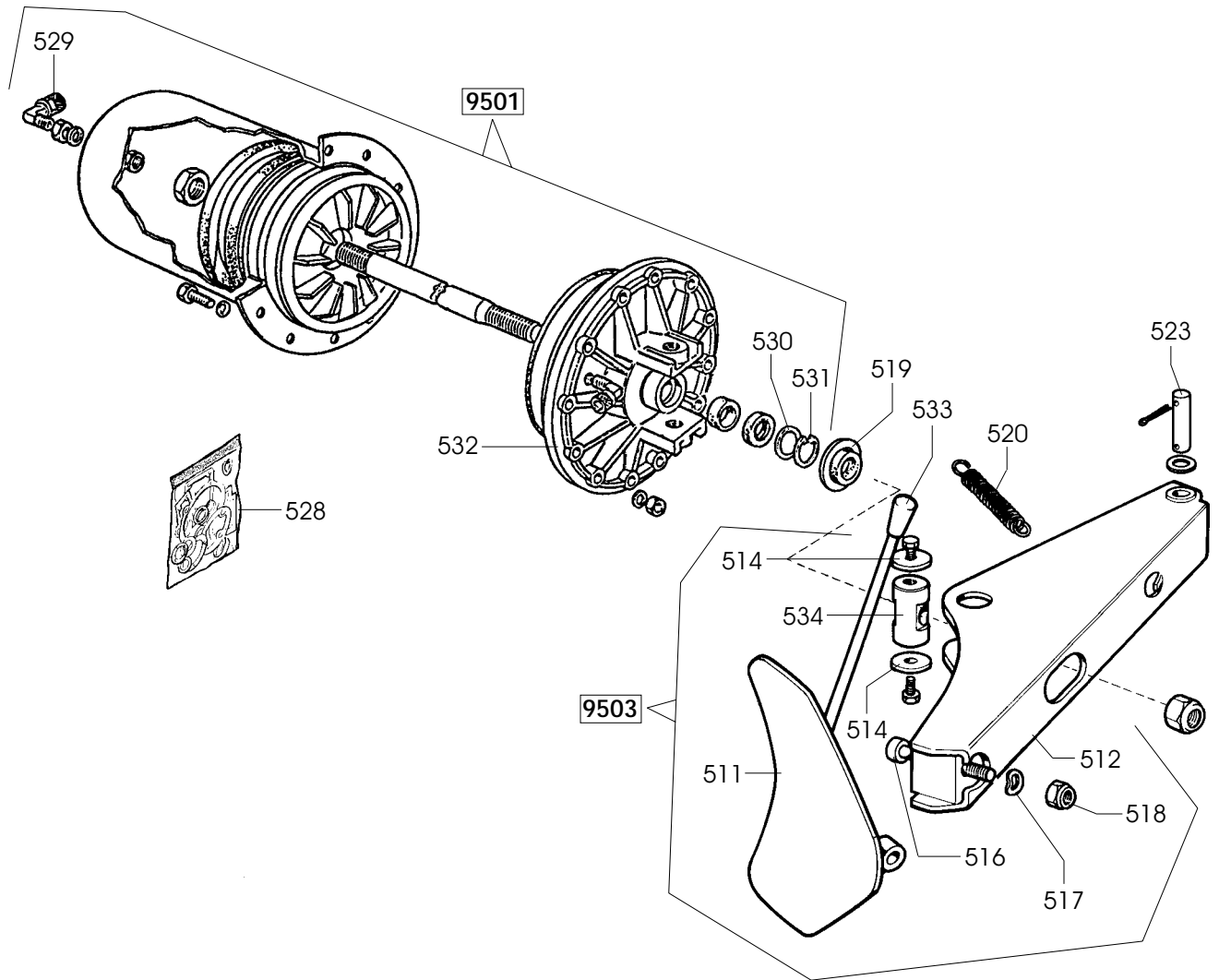
9301	900233678	PEDALIERA	CONTROL PEDAL	PEDALERIE	GR.PEDALES
0301	900422682	SILENZIATORE	SILENCER	SCHALLDAEMPFER	SILENCIEUX
0303	900325019	BALESTRA	LEAF SPRING	BLATTFEDER	RESSORT A LAMES
0304	900425020	CAMMA	CAM	NOCKEN	CAME
0305	900325018	CAVALLOTTO	U-BOLT	BUEGELBOLZEN	CRAMPILLON
0306	900425014	BIELLA	TRACE	PLEUELSTANGE	BIELLE
0307	900325030	PEDALE	PEDAL	PEDAL	PEDALE
0308	900419888	RONDELLA	WASHER	UNTERLEGSSCHEIBE	RONDELLE
0309	900309358	RONDELLA	WASHER	UNTERLEGSSCHEIBE	RONDELLE
0310	900325005	PERNO	PIN	ZAPFEN	PIVOT
0311	900410628	MOLLA	SPRING	FEDER	RESSORT
0312	900325031	PEDALE	PEDAL	PEDAL	PEDALE
0313	900325032	PEDALE	PEDAL	PEDAL	PEDALE
0314	900325050	DISTANZIALE	SPACER	ABSTANDSSTUECK	ENTRETOISE
0316	900425010	BIELLA	TRACE	PLEUELSTANGE	BIELLE
0317	900425027	LEVA	LEVER	HEBEL	LEVIER
0318	900332495	CAVALLOTTO	U-BOLT	BUEGELBOLZEN	CRAMPILLON
0321	900316199	GHIRA	NUT	NUTMUTTER	BAGUE
0322	900428682	MOLLA	SPRING	FEDER	RESSORT
0323	900433675	REGOLATORE	REGULATOR	REGLER	REGULATEUR
0324	900317610	TUBO	PIPE	ROHR	TUYAU
0325	900252010	PEDALE	PEDAL	PEDAL	PEDALE
0326	900253298	RUBINETTO	COCK	HAHN	ROBINET
0327	900324273	SUPPORTO	SUPPORT	LAGER	SUPPORT
0328	900452011	BOCCOLA	BUSHING	LAGER	DOUILLE
0329	900383173	TAPPO	PLUG	STOPFEN	BOUCHON
0331	900257137	RUBINETTO	COCK	HAHN	ROBINET



Ø8	900701683	TUBO	PIPE	ROHR	TUYAU
Ø10	900701875	TUBO	PIPE	ROHR	TUYAU
0421	900258456	RUBINETTO	COCK	HAHN	ROBINET
0402	900229957	PEDALE	PEDAL	PEDAL	PEDALE
0404	900329058	PIASTRINA	PLATE	PLAETTCHEN	PLAQUETTE
0406	900331381	BIELLA	TRACE	PLEUELSTANGE	BIELLE
0407	900415860	RACCORDO	CONNECTOR	ANSCHLUSS	RACCORD
0409	900425238	CINGHIA	BELT	RIEMEN	COURROIE
0410	900422288	DADO	NUT	MUTTER	ECROU
0411	900319076	PULEGGIA	PULLEY	RIEMENSCHLEIBE	POULIE
0412	900419142	NIPPLO	CONNECTION	NIPPEL	NIPPLE
0413	900418350	RACCORDO	CONNECTOR	ANSCHLUSS	RACCORD
0414	900319135	MOTORE	MOTOR	MOTOR	MOTEUR
0415	950419140	RACCORDO	CONNECTOR	ANSCHLUSS	RACCORD
0416	900419141	VALVOLA	VALVE	VENTIL	VANNE
0418	900319073	PULEGGIA	PULLEY	RIEMENSCHLEIBE	POULIE
0418	900414344	PULEGGIA	PULLEY	RIEMENSCHLEIBE	POULIE
0418	900339870	PULEGGIA	PULLEY	RIEMENSCHLEIBE	POULIE
0419	900419138	SILENZIATORE	SILENCER	SCHALLDAEMPFER	SILENCIEUX
0420	900334768	CULLA	CRADLE	WIEGE	BERCEAU



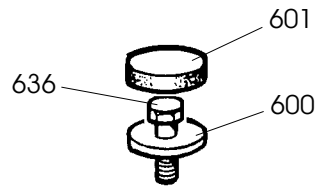
0002	900428845	COPERCHIO	LID	DECKEL	COUVERCLE
0004	900326354	COFANO	HOOD	HAUBE	COFFRE
0007	900426768	PROTEZIONE	SHIELD	ABDECKUNG	PROTECTION
0012	900436199	APPOGGIO	RIM SUPPORT	STUETZE	APPUI
0013	900422019	PIEDE	FOOT	FUSS	PIED
0014	900318183	RONDELLA	WASHER	UNTERLEGSCHIEBE	RONDELLE
0018	900322348	VITE	SCREW	SCHRAUBE	VIS
0023	900320191	VITE	SCREW	SCHRAUBE	VIS
0032	900331055	PERNO	PIN	ZAPFEN	PIVOT
0033	900442121	PROTEZIONE	SHIELD	ABDECKUNG	PROTECTION



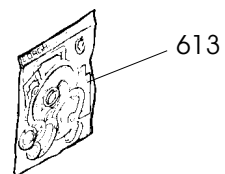
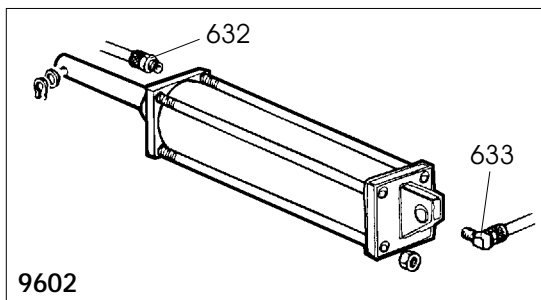
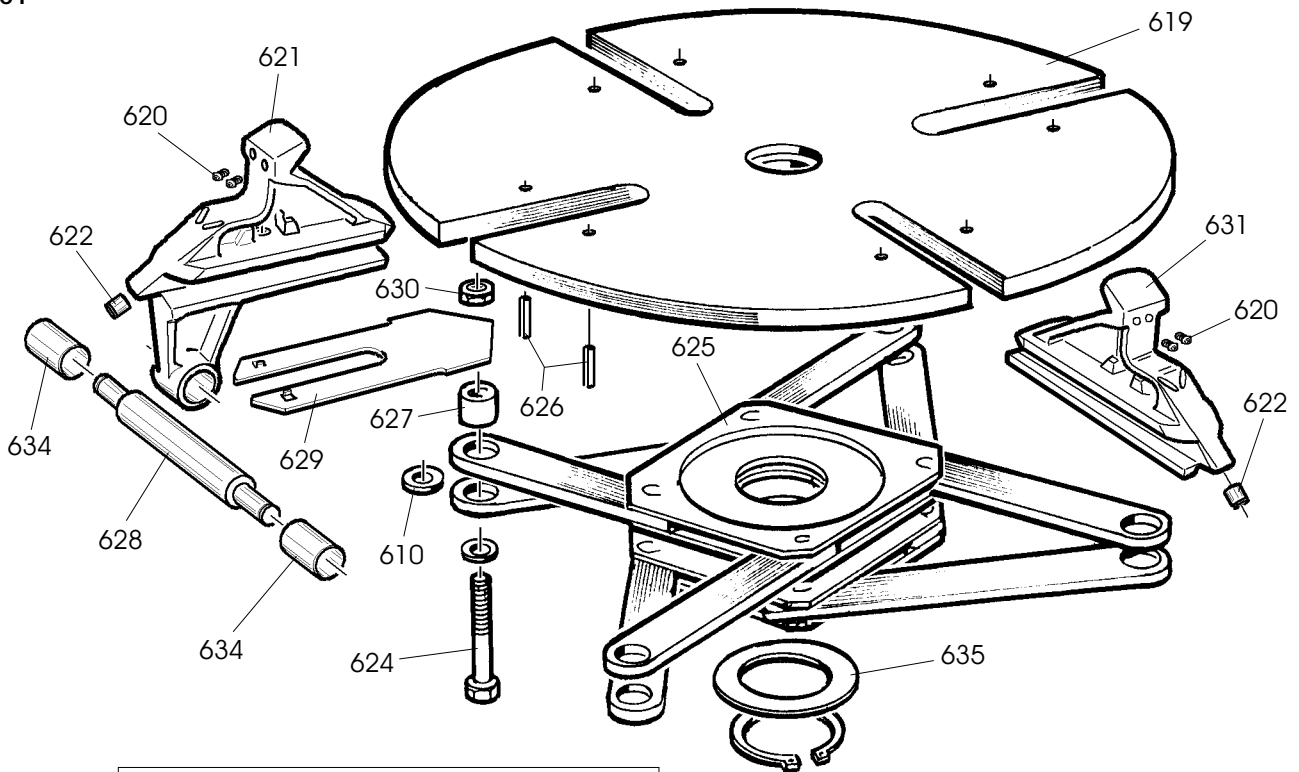
9501	900243505	CILINDRO	CYLINDER	ZYLINDER	CYLINDRE
0529	900441598	RACCORDO	CONNECTOR	ANSCHLUSS	RACCORD
0530	900325561	RONDELLA	WASHER	UNTERLEGSCHIEBE	RONDELLE
0531	900434031	ANELLO	RING	RING	ANNEAU
0532	900252145	FLANGIA	FLANGE	FLANSCH	FLASQUE

9503	900249612	BRACCIO	ARM	ARM	BRAS
0511	900224000	PALETTA	BEAD BREAKER	SCHAUFEL	PELLE
0512	900224003	BRACCIO	ARM	ARM	BRAS
0514	950323901	RONDELLA	WASHER	UNTERLEGSCHIEBE	RONDELLE
0516	900324008	PERNO	PIN	ZAPFEN	PIVOT
0517	900409650	RONDELLA	WASHER	UNTERLEGSCHIEBE	RONDELLE
0518	900422255	DADO	NUT	MUTTER	ECROU
0534	900339045	PERNO	PIN	ZAPFEN	PIVOT

0519	900424096	TAMPONE	PAD	PUFFER	TAMPON
0520	900424364	MOLLA	SPRING	FEDER	RESSORT
0523	900323903	FULCRO	FULCRUM	DREHPUNKT	ENTABLURE
0528	900238212	KIT GUARNIZIONI	SEALS KIT	DICHTUNGSATZ	KIT JOINTS
0533	900425219	MANIGLIA	HANDLE	HANDGRIFF	POIGNEE



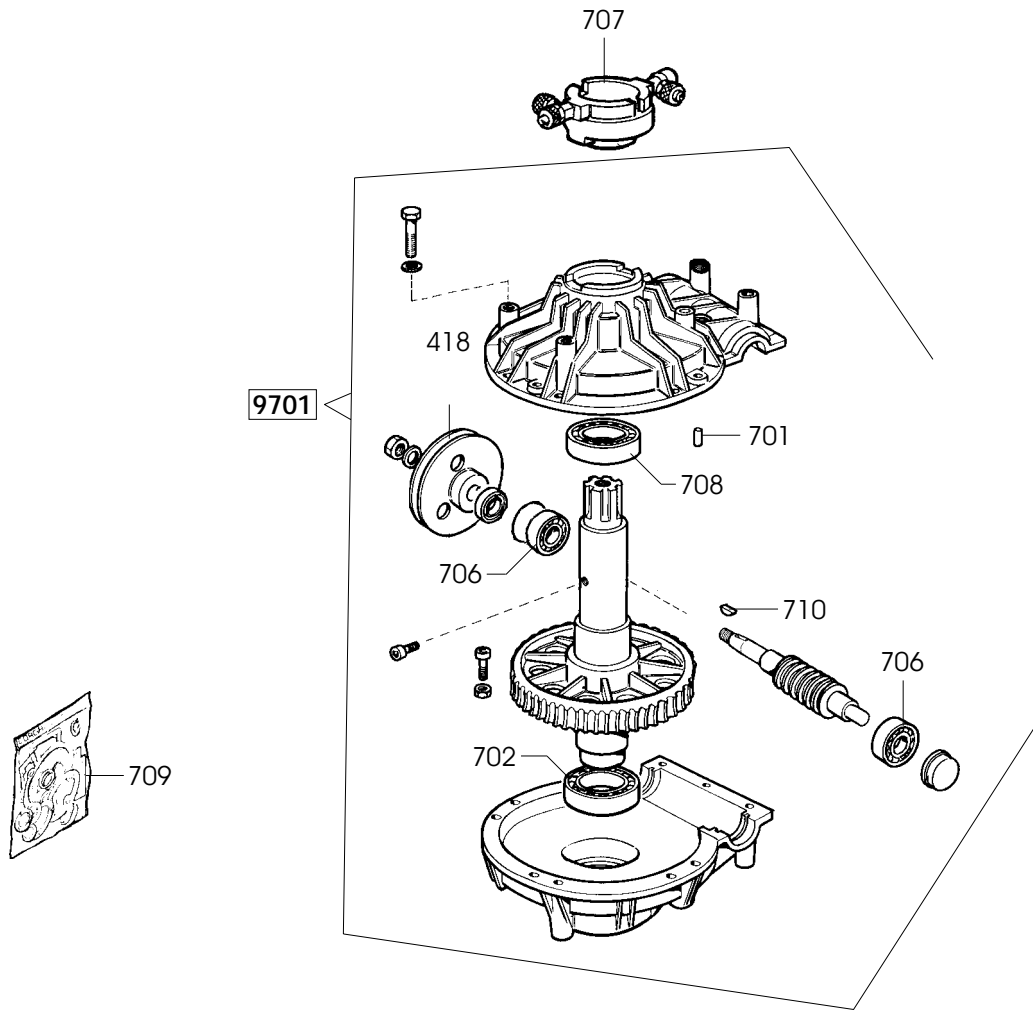
9601



0600	900323363	RONDELLA	WASHER	UNTERLEGSCHIEBE	RONDELLE
0601	900426514	TAPPO	PLUG	STOPFEN	BOUCHON
0613	900238548	KIT GUARNIZIONI	SEALS KIT	DICHTUNGSATZ	KIT JOINTS
0636	900601216	VITE	SCREW	SCHRAUBE	VIS

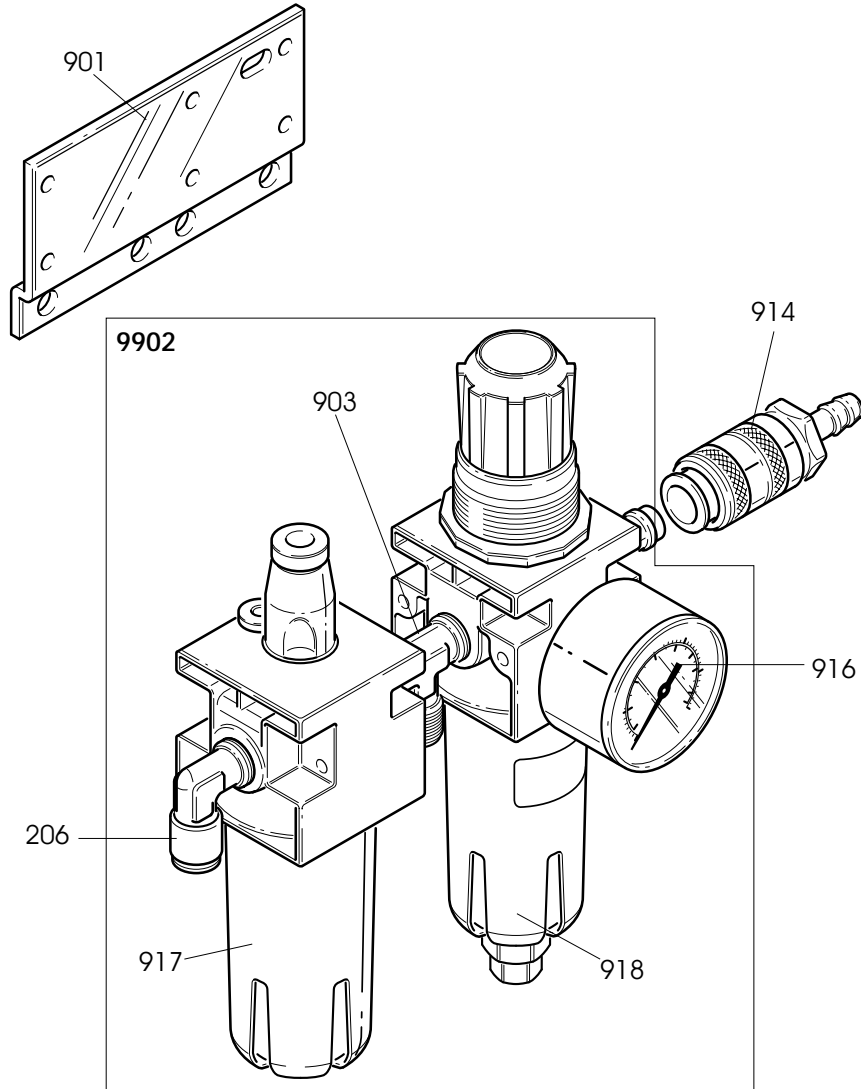
9601	900253801	AUTOCENTRANTE T.I.	TURNTABLE T.I.	SPANNFUTTER T.I.	PLATEAU AUTOC. T.I.
9601	900253802	AUTOCENTRANTE	TURNTABLE	SPANNFUTTER	PLATEAU AUTOC.
0610	900437964	RONDELLA	WASHER	UNTERLEGSCHIEBE	RONDELLE
0619	900253758	PIATTO	PLATE	TELLER	PLAT
0620	900339146	PUNTE DI BLOCC.	LOCKING PEAK	FESTKLEMMENSPITZE	POINTE DE BLOCAGE
0621	900253815	APPOGGIO	RIM SUPPORT	STUETZE	APPUI
0621	900253813	APPOGGIO T.I.	RIM SUPPORT T.I.	STUETZE T.I.	APPUI T.I.
0622	900441100	RACCORDO	CONNECTOR	ANSCHLUSS	RACCORD
0624	900602199	VITE	SCREW	SCHRAUBE	VIS
0625	900253776	FLANGIA	FLANGE	FLANSCH	FLASQUE
0626	900601059	SPINA	PLUG	STECKER	FICHE
0627	900353803	BOCCOLA	BUSHING	LAGER	DOUILLE
0628	900353804	PERNO	PIN	ZAPFEN	PIVOT
0629	900354638	COPRIASOLA	COVER	LOCHSTOPFEN	BOUCHON
0630	900601276	DADO	NUT	MUTTER	ECROU
0631	900253812	APPOGGIO T.I.	RIM SUPPORT T.I.	STUETZE T.I.	APPUI T.I.
0631	900253814	APPOGGIO	RIM SUPPORT	STUETZE	APPUI
0634	900354308	TUBO	PIPE	ROHR	TUYAU
0635	900455082	RONDELLA	WASHER	UNTERLEGSCHIEBE	RONDELLE

9602	900253784	CILINDRO DESTRO	CYLINDER RIGHT	ZYLINDER	CYLINDRE
9602	900253783	CILINDRO SINISTRO	CYLINDER LEFT	ZYLINDER	CYLINDRE
0632	900441568	RACCORDO	CONNECTOR	ANSCHLUSS	RACCORD
0633	900443367	RACCORDO	CONNECTOR	ANSCHLUSS	RACCORD



9701	900233704	RIDUTTORE	GEAR BOX	GETRIEBE	REDUCTEUR
9701	900255776	RIDUTTORE pneum.	GEAR BOX	GETRIEBE	REDUCTEUR
9701	900246020	RIDUTTORE DV	GEAR BOX	GETRIEBE	REDUCTEUR
0418	900319073	PULEGGIA	PULLEY	RIEMENSCHLEIBE	POULIE
0418	900414344	PULEGGIA (pneum.)	PULLEY	RIEMENSCHLEIBE	POULIE
0418	900339870	PULEGGIA DV	PULLEY	REIMENSCHLEIBE	POULIE
0701	900601280	SPINA ELASTICA	PIN	SPANNSTIFT	CHEVILLE
0702	900601220	CUSCINETTO	BEARING	LAGER	ROULEMENT
0706	900601221	CUSCINETTO	BEARING	LAGER	ROULEMENT
0708	900601703	CUSCINETTO	BEARING	LAGER	ROULEMENT
0710	900600667	LINGUETTA	TANG	FEDERKEIL	LANGUETTE

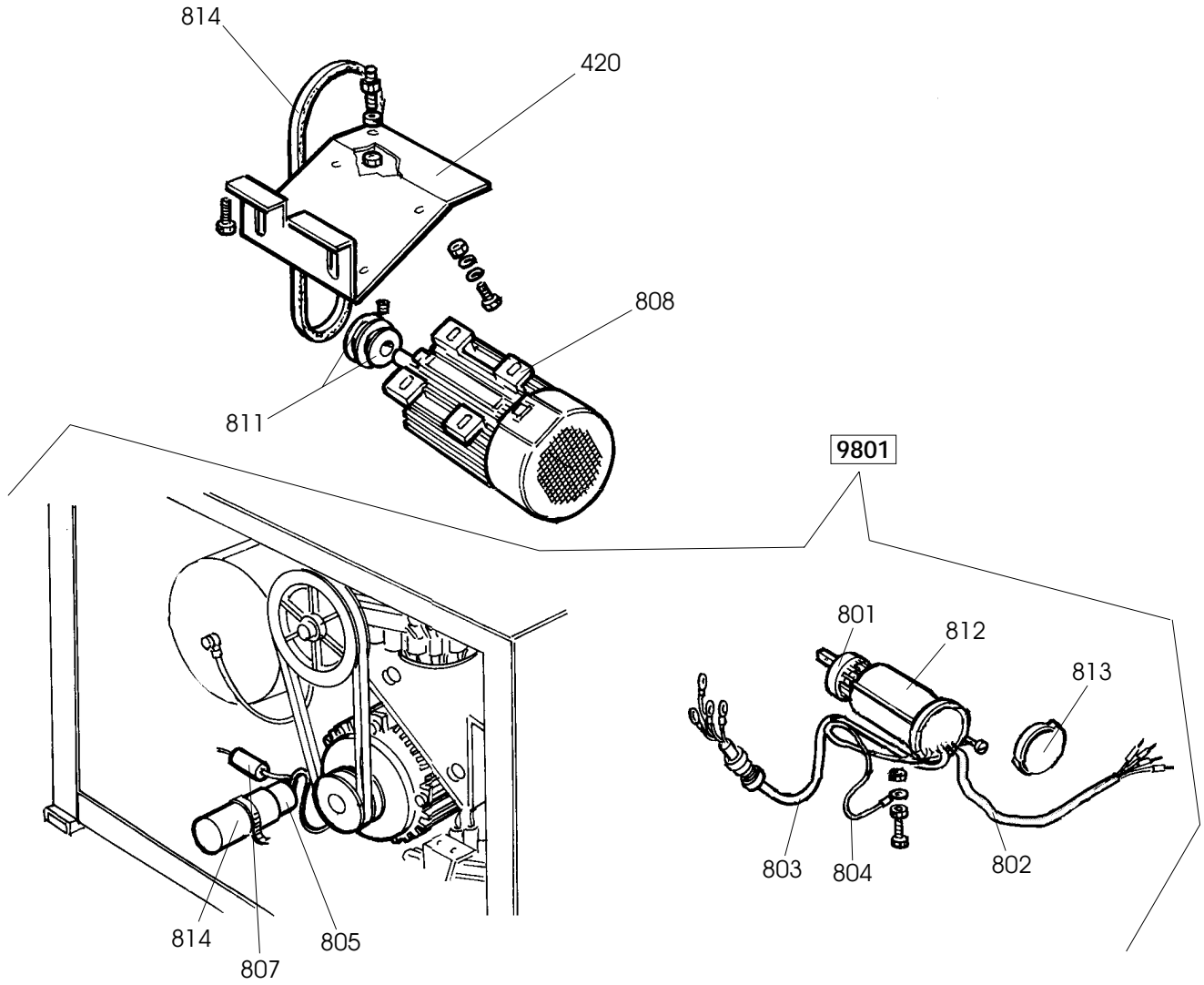
0707	900228389	RACCORDO	CONNECTOR	ANSCHLUSS	RACCORD
0709	900238204	KIT GUARNIZIONI	SEALS KIT	DICHTUNGSATZ	KIT JOINTS



0206	900450406	RACCORDO	CONNECTOR	ANSCHLUSS	RACCORD
0901	900335695	STAFFA	BRACKET	KLAUE	ETRIER
0903	900433873	RACCORDO	CONNECTOR	ANSCHLUSS	RACCORD

9902	900456522	FILTRO	FILTER	FILTER	FILTRE
0917	900457511	BICCHIERE	BOWL	GLAS	BOL
0918	900457512	BICCHIERE	BOWL	GLAS	BOL

0914	900441899	GIUNTO	CUOPLING	KUPPLUNG	ACCOUPLLEMENT
0916	900434818	MANOMETRO	PRESSURE GAUGE	DRUCKMESSER	MANOMETRE



IMPIANTO ELETTRICO ELECTRIC SYSTEM ELEKTRISCHE ANLAGE INSTALL. ELECTRIQUE

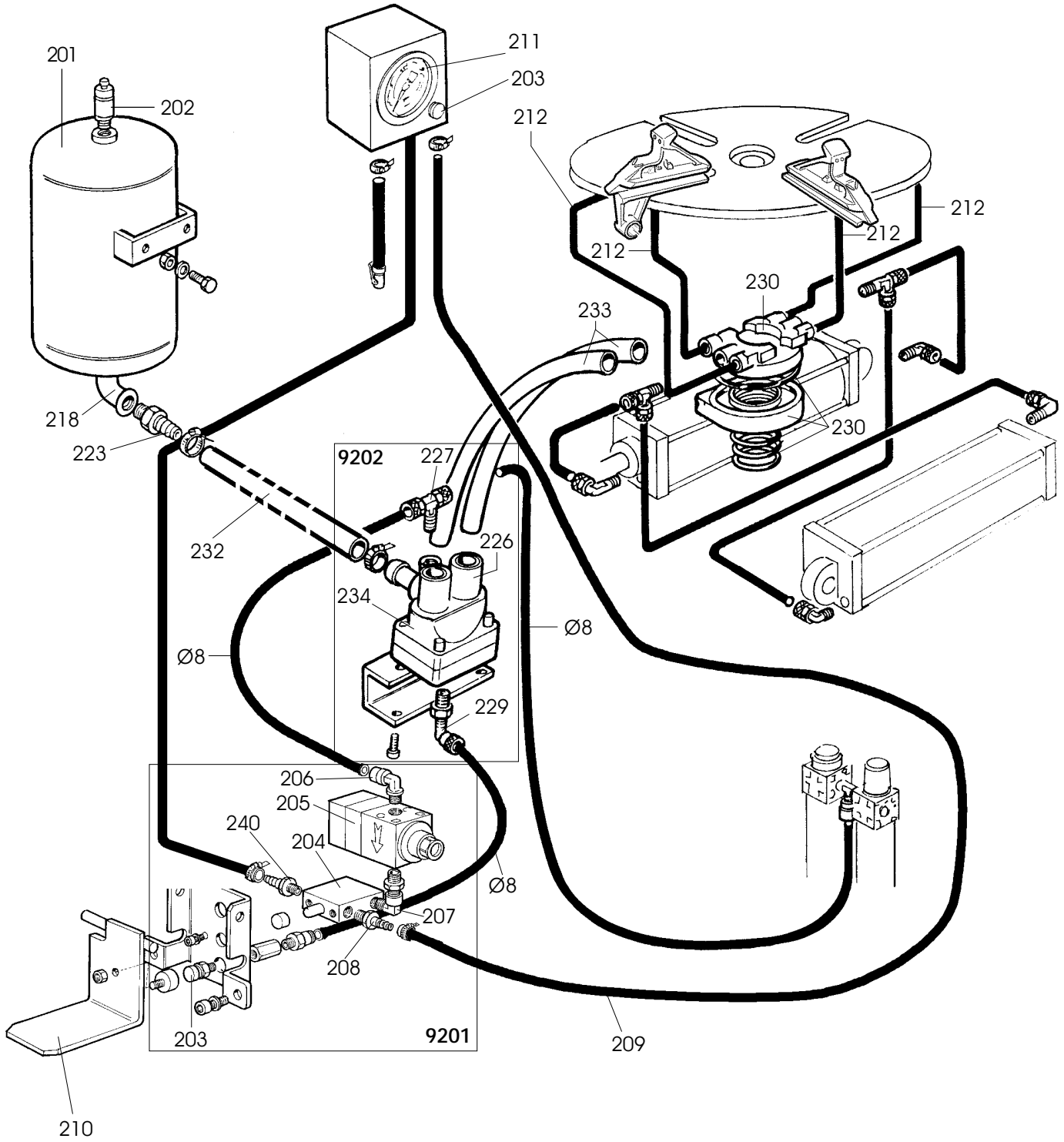
9801	900249882	110V 1ph	110V 1ph	110V 1ph	110V 1ph
0801	900435363	INVERTITORE	REVERSER	RICHTUNGSWENDER	INVERSEUR
0802	900230709	CAVO	CABLE	KABEL	CABLE
0803	900225419	CAVO	CABLE	KABEL	CABLE
0804	900225051	CAVALLOTTO	U-BOLT	BUEGELBOLZEN	CRAMPILLON
0805	900430750	CAPPELOTTO	CAP NUT	ABSCHLUSSKAPPE	CAPUCHON
0807	900430770	RESISTENZA	RESISTANCE	WIDERSTAND	RESISTANCE
0814	900449751	CONDENSATORE	CAPACITOR	KONDENSATOR	CONDENSATEUR

9801	900249881	230V 1ph	230V 1ph	230V 1ph	230V 1ph
0801	900421523	INVERTITORE	REVERSER	RICHTUNGSWENDER	INVERSEUR
0802	900235520	CAVO	CABLE	KABEL	CABLE
0803	900225419	CAVO	CABLE	KABEL	CABLE
0804	900225051	CAVALLOTTO	U-BOLT	BUEGELBOLZEN	CRAMPILLON
0805	900414850	CAPPELOTTO	CAP NUT	ABSCHLUSSKAPPE	CAPUCHON
0807	900430770	RESISTENZA	RESISTANCE	WIDERSTAND	RESISTANCE
0814	900449750	CONDENSATORE	CAPACITOR	KONDENSATOR	CONDENSATEUR

9801	900235574	3ph	3ph	3ph	3ph
0801	900421523	INVERTITORE	REVERSER	RICHTUNGSWENDER	INVERSEUR
0802	900235518	CAVO	CABLE	KABEL	CABLE
0803	900225390	CAVO	CABLE	KABEL	CABLE
0804	900225051	CAVALLOTTO	U-BOLT	BUEGELBOLZEN	CRAMPILLON

		MOTORE	MOTOR	MOTOR	MOTEUR
0808	900422013	3ph 230/400V	3ph 230/400V	3ph 230/400V	3ph 230/400V
0808	900425397	3ph 240/440V	3ph 240/440V	3ph 240/440V	3ph 240/440V
0808	900449747	1ph 230V 50Hz	1ph 230V 50Hz	1ph 230V 50Hz	1ph 230V 50Hz
0808	900449748	1ph 230V 60Hz	1ph 230V 60Hz	1ph 230V 60Hz	1ph 230V 60Hz
0808	900449749	1ph 110V 60Hz	1ph 110V 60Hz	1ph 110V 60Hz	1ph 110V 60Hz

0420	900334768	CULLA	CRADLE	WIEGE	BERCEAU
0811	900331067	PULEGGIA	PULLEY	RIEMENSCHLEIBE	POULIE
0812	900432065	PROTEZIONE	SHIELD	ABDECKUNG	PROTECTION
0813	900430991	COPERCHIO	LID	DECKEL	COUVERCLE
0816	900432009	CINGHIA	BELT	RIEMEN	COURROIE



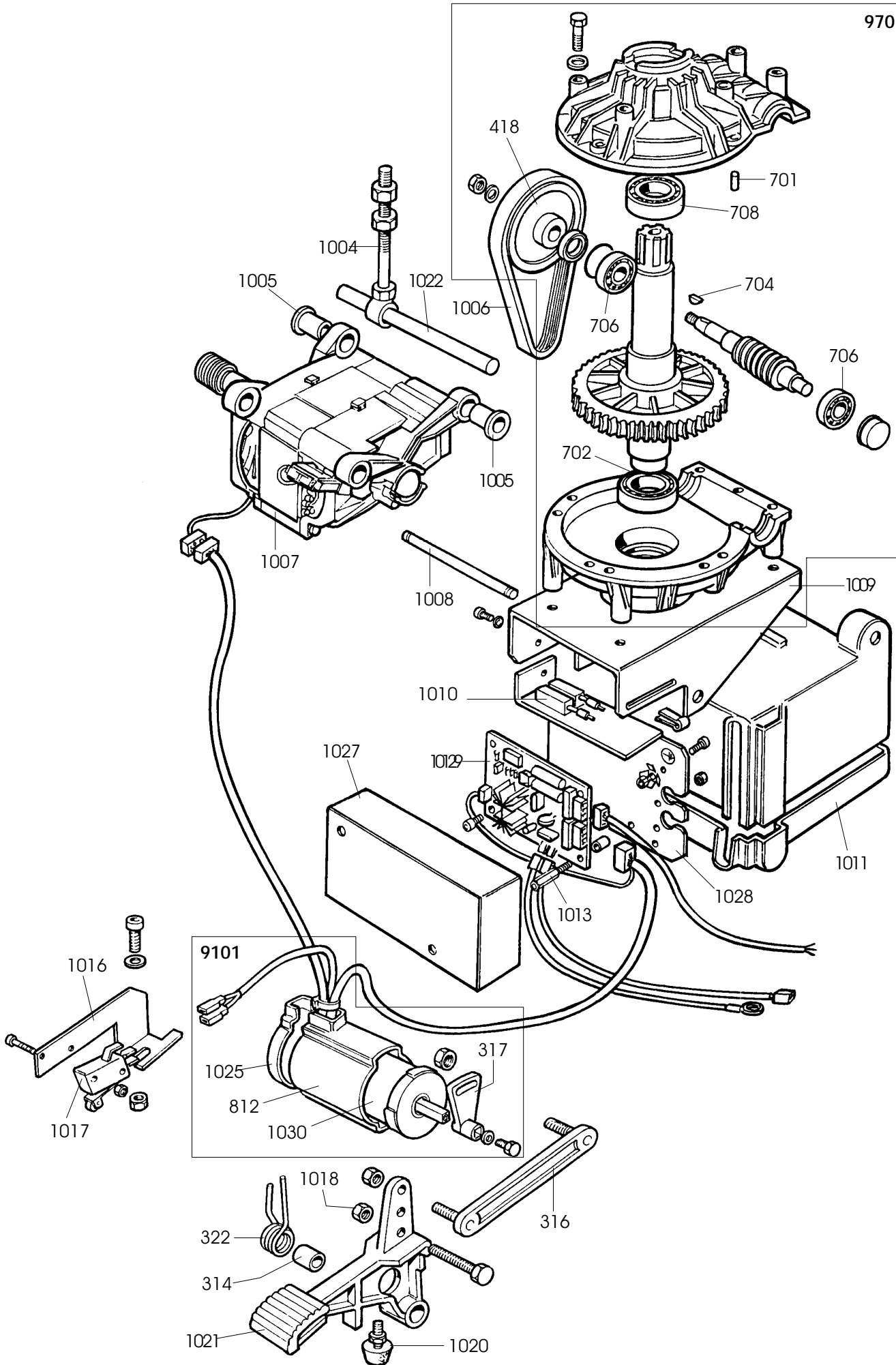
Ø 6	900701684	TUBO	PIPE	ROHR	TUYAU
Ø 8	900701683	TUBO	PIPE	ROHR	TUYAU
0201	900240968	SERBATOIO	TANK	TANK	RESERVOIR
0202	900435077	VALVOLA	VALVE	VENTIL	VANNE
0210	900252625	PEDALE	PEDAL	PEDAL	PEDALE
0212	900704223	TUBO	PIPE	ROHR	TUYAU
0218	900438995	RACCORDO	CONNECTOR	ANSCHLUSS	RACCORD
0223	900337704	RACCORDO	CONNECTOR	ANSCHLUSS	RACCORD


9202	900242290	VALVOLA	VALVE	VENTIL	VANNE
0226	900431993	CARTUCCIA	CARTRIDGE	EINSATZ	CARTOUCHE
0227	900438665	RACCORDO	CONNECTOR	ANSCHLUSS	RACCORD
0229	900441651	RACCORDO	CONNECTOR	ANSCHLUSS	RACCORD
0234	900243020	VALVOLA	VALVE	VENTIL	VANNE

0230	900241841	RACCORDO	CONNECTOR	ANSCHLUSS	RACCORD
0232	900342288	TUBO	PIPE	ROHR	TUYAU
0233	900342289	TUBO	PIPE	ROHR	TUYAU

9201	900252568	GRUPPO gonfiaggio	ASSEMBLY	GRUPPE	GROUPE
0203	900235463	VALVOLA	VALVE	VENTIL	VANNE
0204	900452564	VALVOLA	VALVE	VENTIL	VANNE
0205	900452553	VALVOLA	VALVE	VENTIL	VANNE
0206	900450406	RACCORDO	CONNECTOR	ANSCHLUSS	RACCORD
0207	900418252	NIPPLO	CONNECTION	NIPPEL	NIPPLE
0208	900421137	INNESTO	CLUTCH	KUPPLUNG	EMBRAYAGE
0209	900352614	TUBO aria	PIPE	ROHR	TUYAU
0211	900434175	MANOMETRO BAR	PRESSURE GAUGE	DRUCKMESSER	MANOMETRE
0211	900437831	MANOMETRO PSI	PRESSURE GAUGE	DRUCKMESSER	MANOMETRE
0211	9003-00493	MANOMETRO KPA	PRESSURE GAUGE	DRUCKMESSER	MANOMETRE

9701

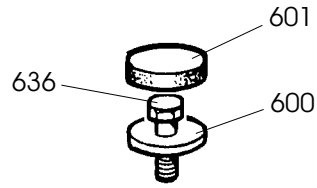


	A 2010	Fig. M	06/00	Versione DV
--	---------------	---------------	--------------	--------------------

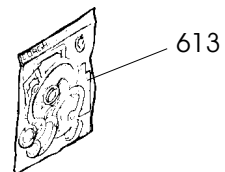
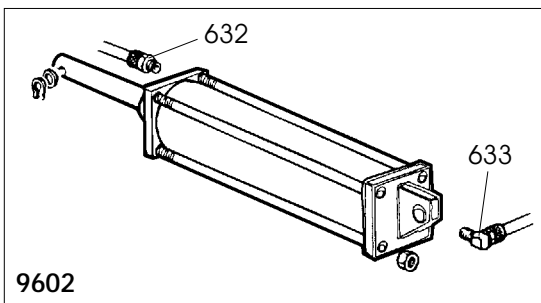
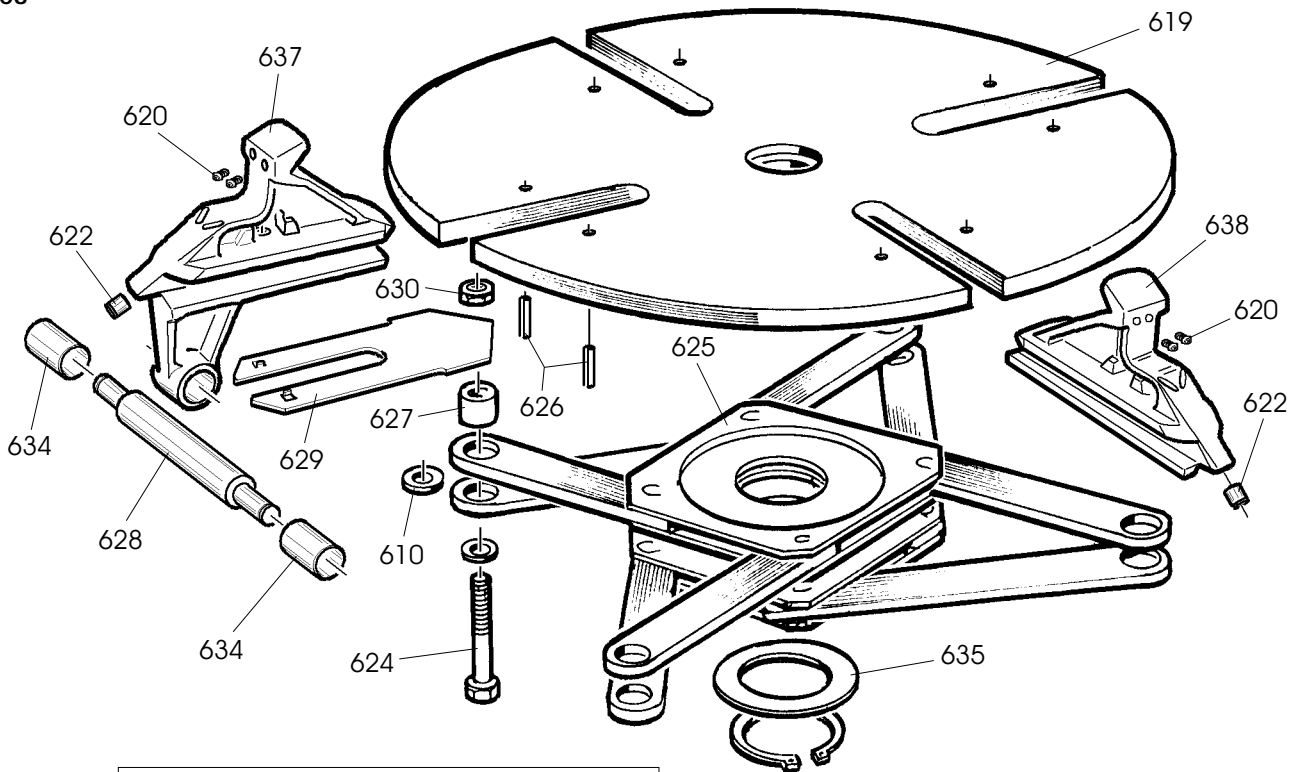
0314	900325050	DISTANZIALE	SPACER	ABSTANDSSTUECK	ENTRETOISE
0316	900425010	BIELLA	TRACE	PLEUELSTANGE	BIELLE
0322	900428682	MOLLA	SPRING	FEDER	RESSORT
0418	900339870	PULEGGIA	PULLEY	RIEMENSCHIEBE	POULIE
1004	900246010	TIRANTE	STAY ROD	ZUGSTANGE	TIRANT
1005	900340365	BOCCOLA	BUSHING	LAGER	DOUILLE
1006	900440571	CINGHIA	BELT	RIEMEN	COURROIE
1007	900251870	MOTORE	MOTOR	MOTOR	MOTEUR
1008	900346012	PERNO	PIN	ZAPFEN	PIVOT
1009	900346017	SUPPORTO	SUPPORT	LAGER	SUPPORT
1010	900246303	RESISTENZA	RESISTANCE	WIDERSTAND	RESISTANCE
1011	900446013	COPERCHIO	LID	DECKEL	COUVERCLE
1013	900446033	COLONNETTA	STUD	SCHRAUBENBOLZEN	COLONNETTE
1016	900346011	SUPPORTO	SUPPORT	LAGER	SUPPORT
1017	950413654	MICROINTERRUPTORE	MICROSWITCH	MIKROSCHALTER	MICROINTERRUPTEUR
1018	900346008	BOCCOLA	BUSHING	LAGER	DOUILLE
1020	900430496	ANTIVIBRANTE	VIBRATION DAMPER	SCHWINGUNGSDAEMPFER	ANTI-VIBRATION
1021	900352026	PEDALE	PEDAL	PEDAL	PEDALE
1022	900340367	PERNO	PIN	ZAPFEN	PIVOT
1027	900449300	COPERCHIO	LID	DECKEL	COUVERCLE
1028	900349299	SUPPORTO	SUPPORT	LAGER	SUPPORT
1029	900457434	SCHEDA ELETTRONICA	P.C.BOARD	ELEKTR.PLATINE	FICHE ELECTR.

9101	900251371	CAVO	CABLE	KABEL	CABLE
0317	900425027	LEVA	LEVER	HEBEL	LEVIER
0812	900432065	PROTEZIONE	SHIELD	ABDECKUNG	PROTECTION
1025	900430991	COPERCHIO	LID	DECKEL	COUVERCLE
1030	900457432	INVERTITORE	REVERSER	RICHTUNGSWENDER	INVERSEUR

9701	900246020	RIDUTTORE	GEAR BOX	GETRIEBE	REDUCTEUR
0701	900601280	SPINA ELASTICA	PIN	SPANNSTIFT	CHEVILLE
0702	900601220	CUSCINETTO	BEARING	LAGER	ROULEMENT
0706	900601221	CUSCINETTO	BEARING	LAGER	ROULEMENT
0708	900601703	CUSCINETTO	BEARING	LAGER	ROULEMENT
0710	900600667	LINGUETTA	TANG	FEDERKEIL	LANGUETTE



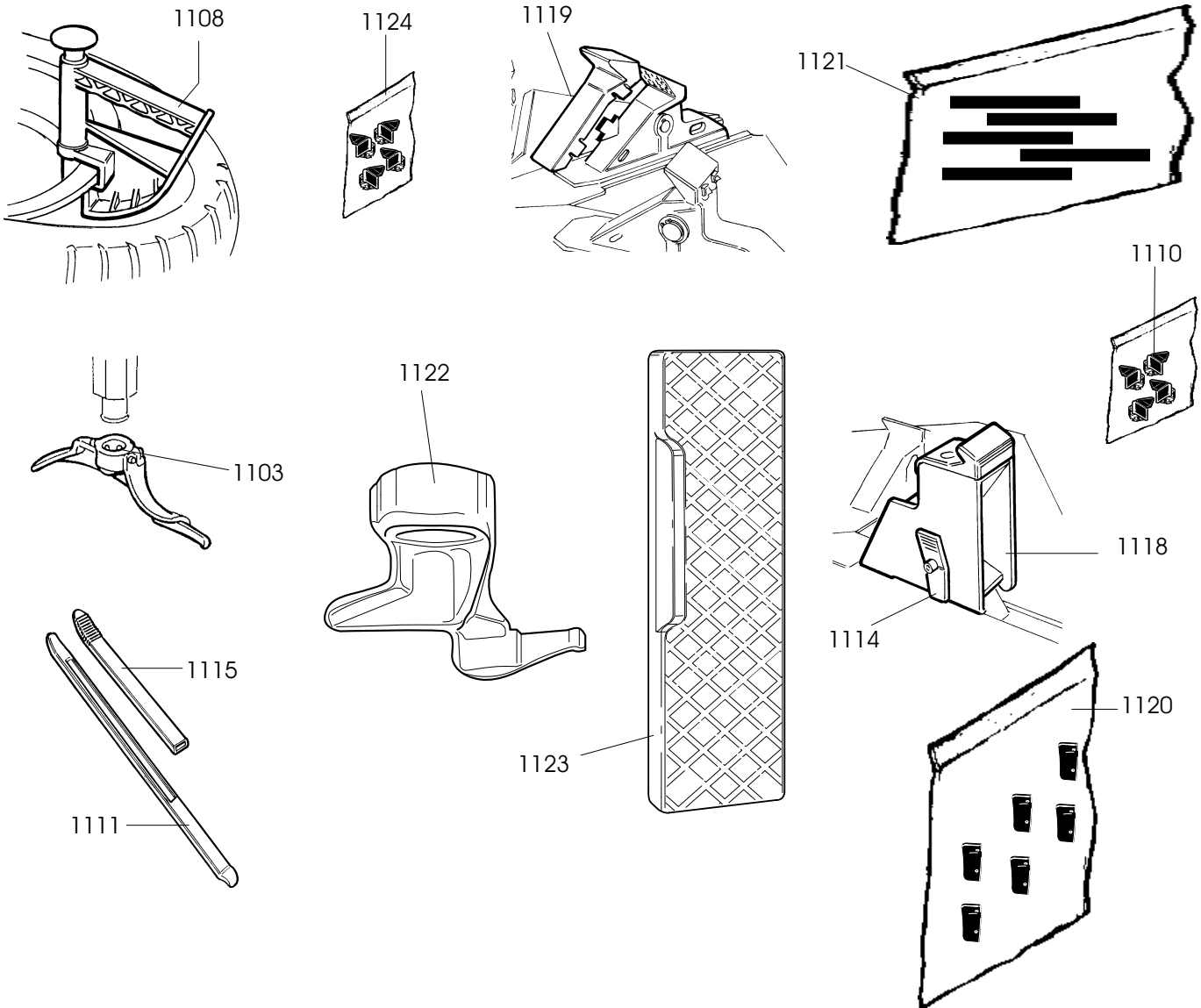
9603



0600	900323363	RONDELLA	WASHER	UNTERLEGSCHIEBE	RONDELLE
0601	900426514	TAPPO	PLUG	STOPFEN	BOUCHON
0613	900238548	KIT GUARNIZIONI	SEALS KIT	DICHTUNGSATZ	KIT JOINTS
0636	900601216	VITE	SCREW	SCHRAUBE	VIS

9603	900262065	AUTOCENTRANTE T.I.	TURNTABLE T.I.	SPANNFUTTER T.I.	PLATEAU AUTOC. T.I.
9603	900262379	AUTOCENTRANTE	TURNTABLE	SPANNFUTTER	PLATEAU AUTOC.
0610	900437964	RONDELLA	WASHER	UNTERLEGSCHIEBE	RONDELLE
0619	900253758	PIATTO	PLATE	TELLER	PLAT
0620	900339146	PUNTE DI BLOCC.	LOCKING PEAK	FESTKLEMMENSPITZE	POINTE DE BLOCAGE
0622	900441100	RACCORDO	CONNECTOR	ANSCHLUSS	RACCORD
0624	900602199	VITE	SCREW	SCHRAUBE	VIS
0625	900253776	FLANGIA	FLANGE	FLANSCH	FLASQUE
0626	900601059	SPINA	PLUG	STECKER	FICHE
0627	900353803	BOCCOLA	BUSHING	LAGER	DOUILLE
0628	900353804	PERNO	PIN	ZAPFEN	PIVOT
0629	900354638	COPRIASOLA	COVER	LOCHSTOPFEN	BOUCHON
0630	900601276	DADO	NUT	MUTTER	ECROU
0634	900354308	TUBO	PIPE	ROHR	TUYAU
0635	900455082	RONDELLA	WASHER	UNTERLEGSCHIEBE	RONDELLE
0637	900262380	APPOGGIO	RIM SUPPORT	STUETZE	APPUI
0637	900262071	APPOGGIO T.I.	RIM SUPPORT T.I.	STUETZE T.I.	APPUI T.I.
0638	900262067	APPOGGIO T.I.	RIM SUPPORT T.I.	STUETZE T.I.	APPUI T.I.
0638	900262381	APPOGGIO	RIM SUPPORT	STUETZE	APPUI

9602	900253784	CILINDRO DESTRO	CYLINDER RIGHT	ZYLINDER	CYLINDRE
9602	900253783	CILINDRO SINISTRO	CYLINDER LEFT	ZYLINDER	CYLINDRE
0632	900441568	RACCORDO	CONNECTOR	ANSCHLUSS	RACCORD
0633	900443367	RACCORDO	CONNECTOR	ANSCHLUSS	RACCORD



1103	900228563	TORRETTA	HEAD	DREHKOPF	TOUREL
1108	801435685	PINZA	PLIERS	ZANGE	PINCE
1110	801254342	PROTEZIONE	SHIELD	ABDECKUNG	PROTECTION
1111	900444238	LEVA	LEVER	HEBEL	LEVIER
1114	900440559	CRICCHETTO	CRICK	SPERRKLINKE	CLIQUET
1115	801246241	PROTEZIONE	SHIELD	ABDECKUNG	PROTECTION
1118	900258649	ATTACCO	ADAPTOR	HALTERUNG	ATTAQUE
1119	801241010	SET 4 PROTEZIONI	SET 4 SHIELD	SET 4 ABDECKUNG	SET 4 PROTECTION
1120	801258383	PROTEZIONE	SHIELD	ABDECKUNG	PROTECTION
1121	801258898	INSERTO	INSERT	EINLAGE	INSERT
1122	801252083	KIT TORRETTA 8"	HEAD KIT 8"	DREHKOPF KIT 8"	TOUREL KIT 8"
1123	801458663	PROTEZIONE	SHIELD	ABDECKUNG	PROTECTION
1124	801254341	INSERTO	INSERT	EINLAGE	INSERT

--

--

--

NOTE

Handwriting practice area with 25 horizontal dashed lines.

Il disegno è realizzato con tutti i particolari ma solo quelli codificati sono forniti come ricambi. L'Azienda si riserva la facoltà di apportare modifiche senza preavviso.



S.S. 468 n°9 - 42015 Correggio (RE) ITALY
Tel. ++39 0522 639111 - Fax ++39 0522 639150
www.corgi.com - info@corgi.com

The drawing shows all parts but only the coded parts are supplied as spares. The Company reserves the right to make modifications without prior notice.